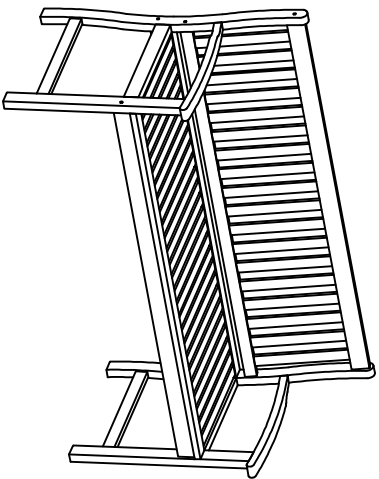






INSTRUCTION



No.		Q.TY
A	 4X30	6 PCS
B	 7x90x15	8 PCS
C		1 PC
D	 M4	1 PC

