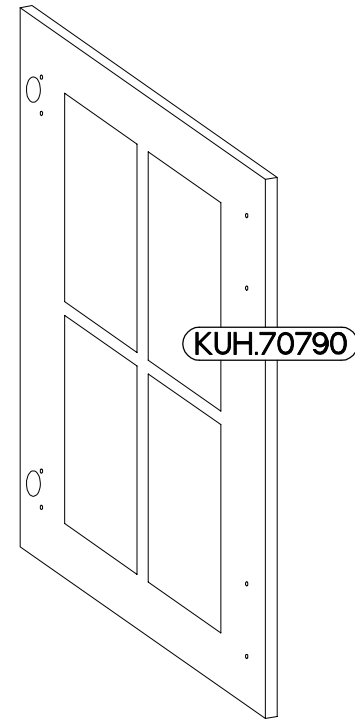
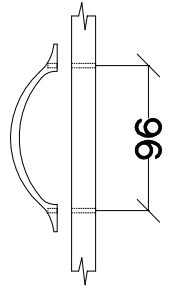
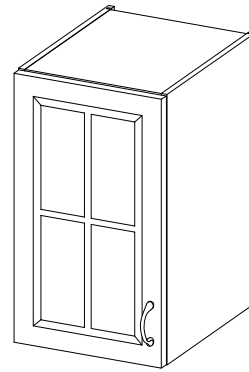
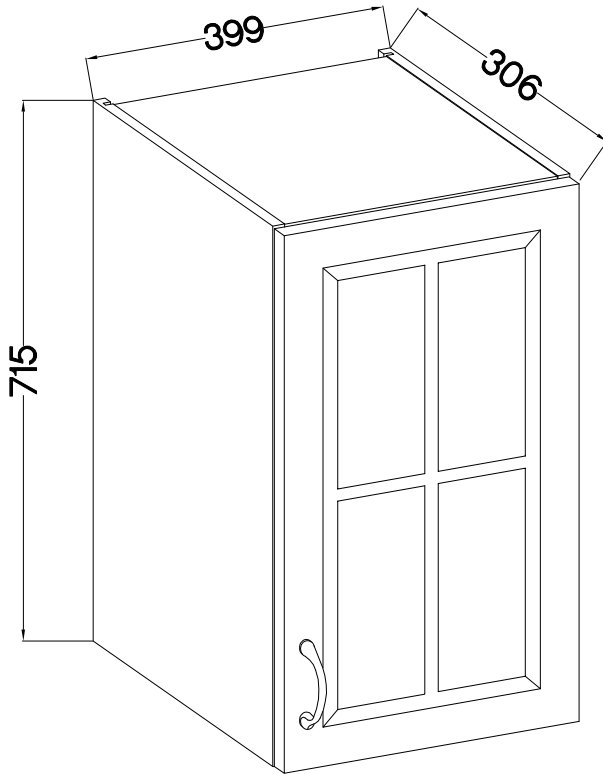




40 G-72 1F WS
FRONT



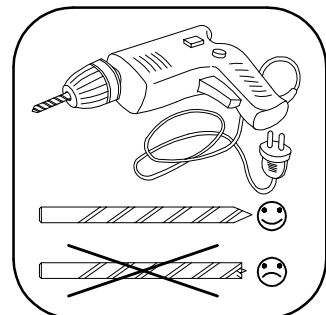
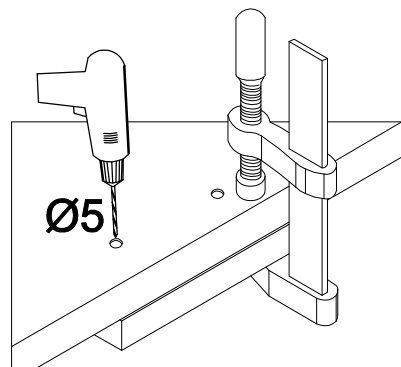
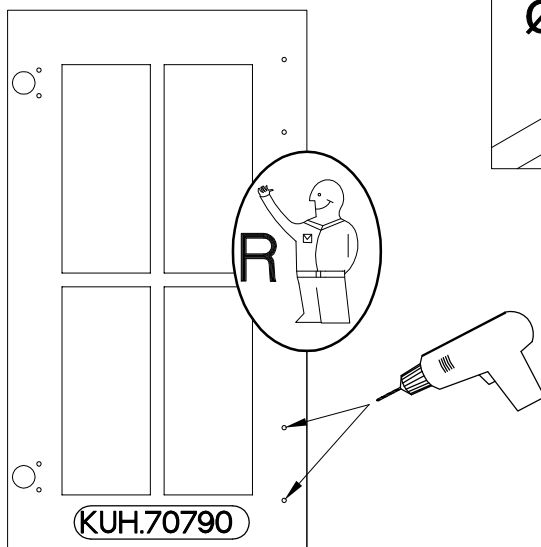
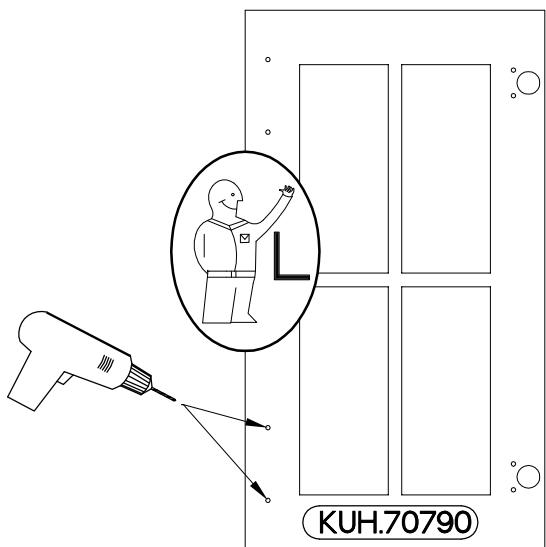
M4x22mm	
	
U	S
2	1

ISM-KUH-01210


1

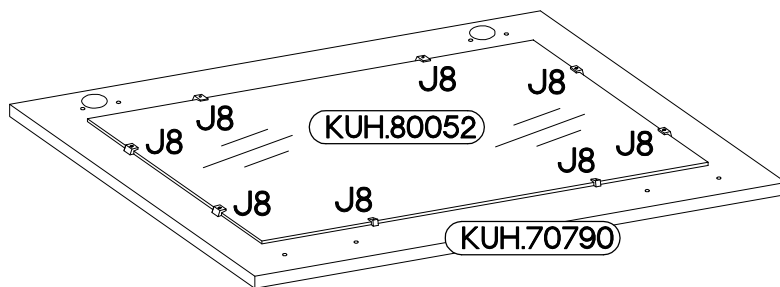
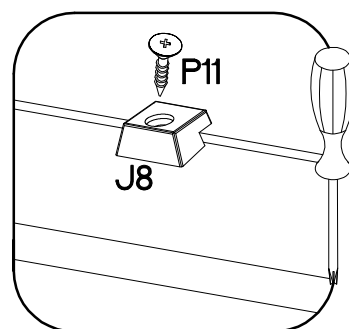
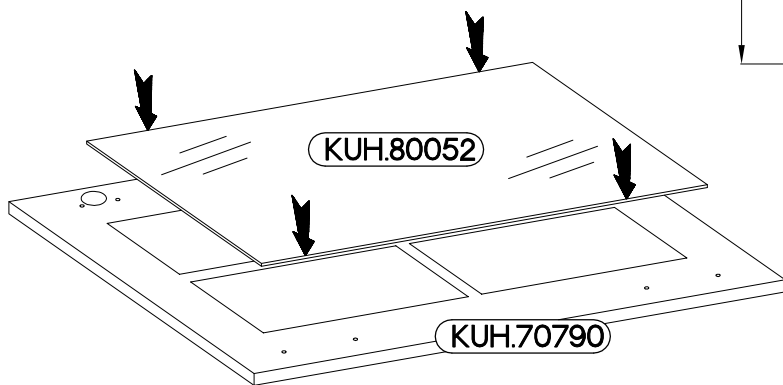
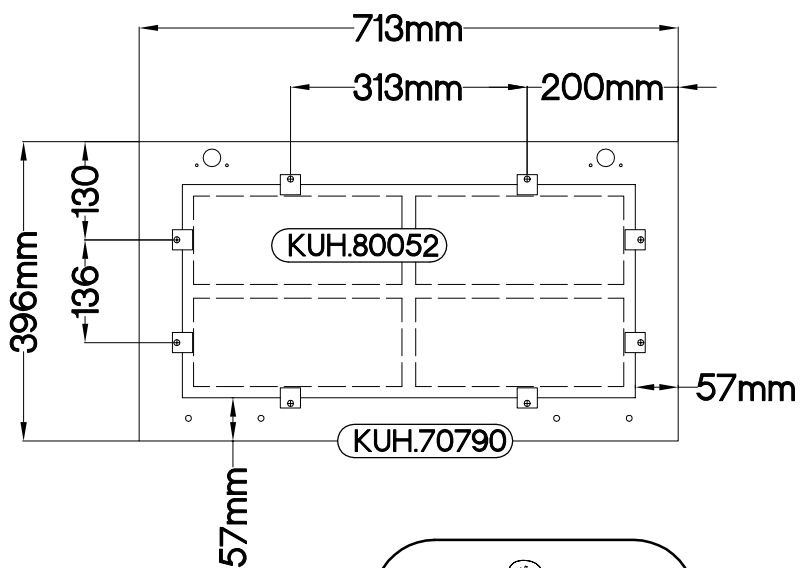
LEFT

RIGHT





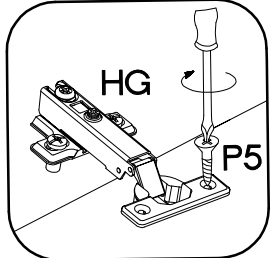
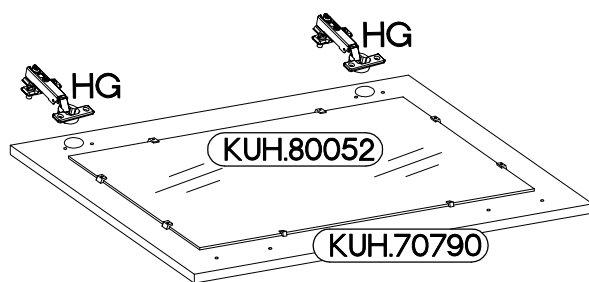
2

	±3.0x16mm
J8	P11
8	8





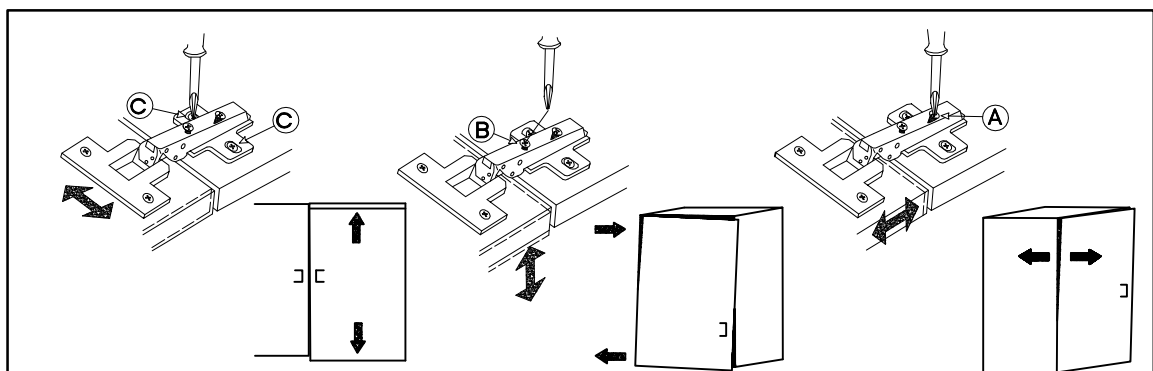
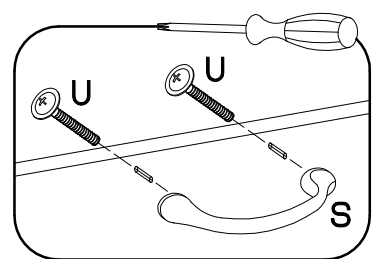
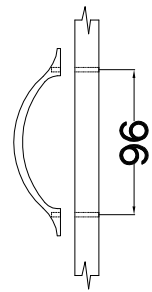
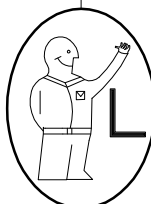
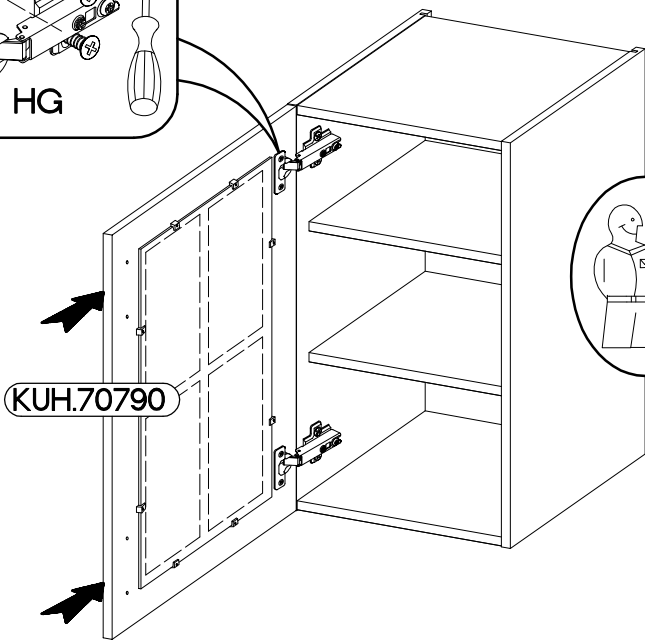
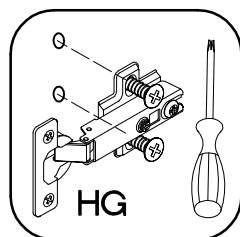
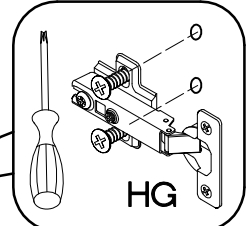
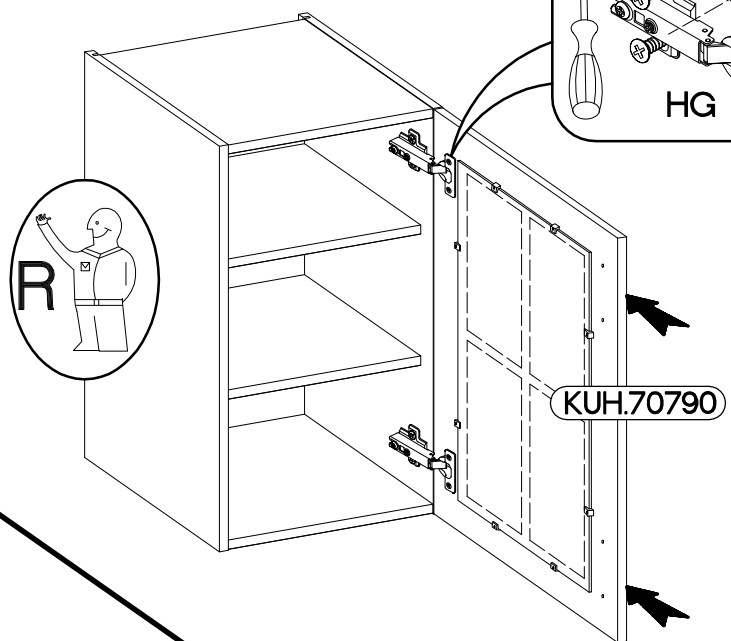
3

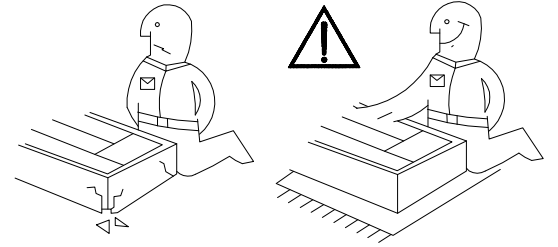
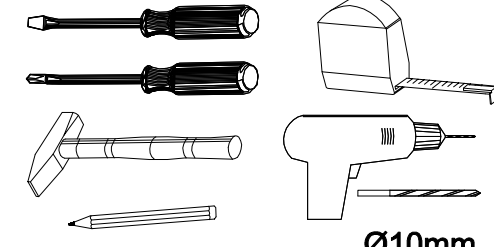
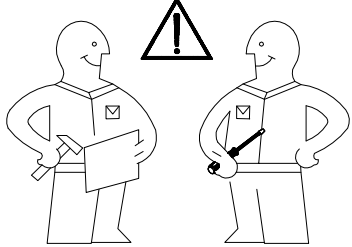
+35/0mm  HG 2	+3.5x13mm  P5 4
--	--



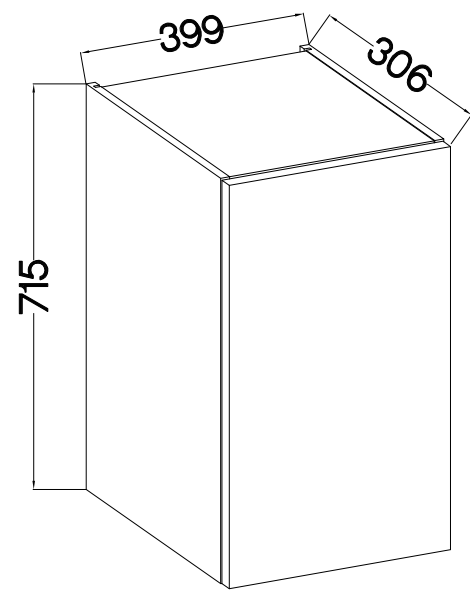
4

M4x22mm  U 2	 S 1
--	---

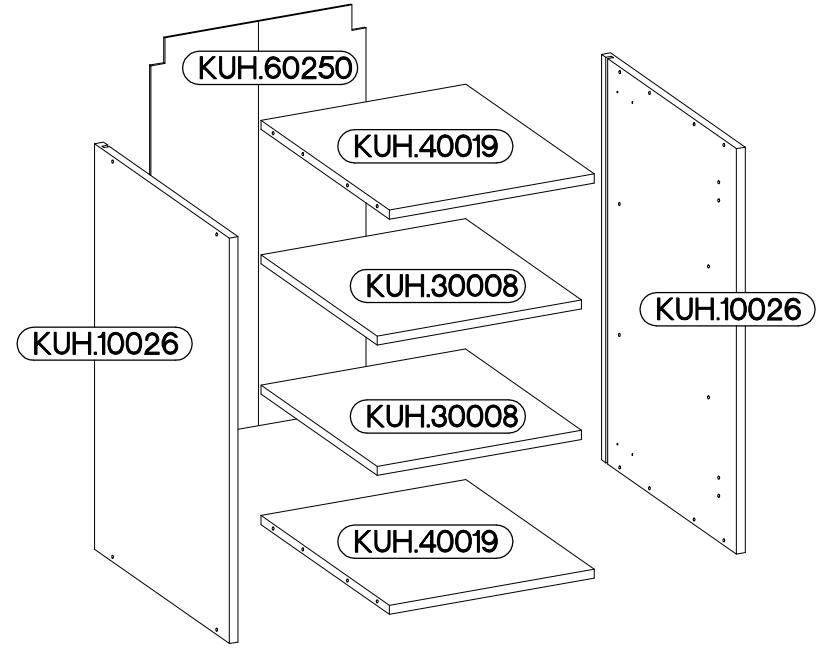
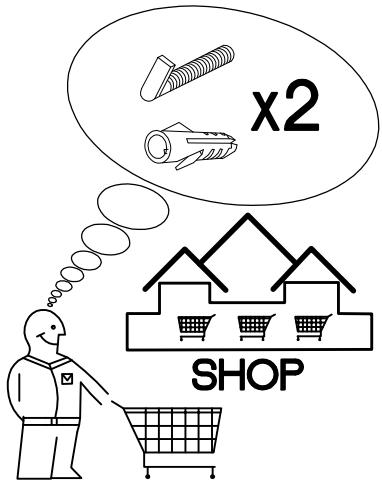
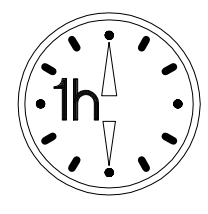




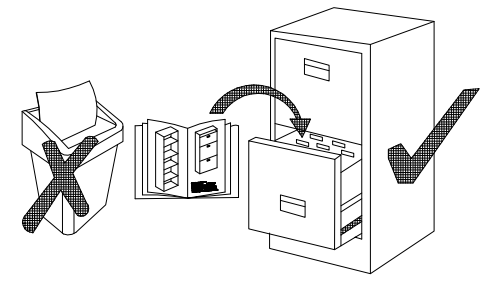
Ø10mm
40 G-72 1F



max. 5kg
KUH.30008
KUH.40019

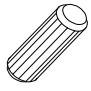

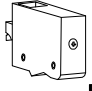


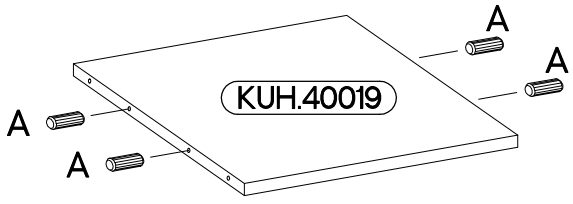
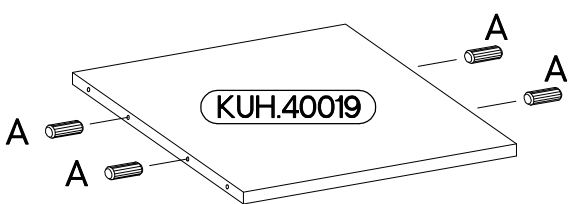
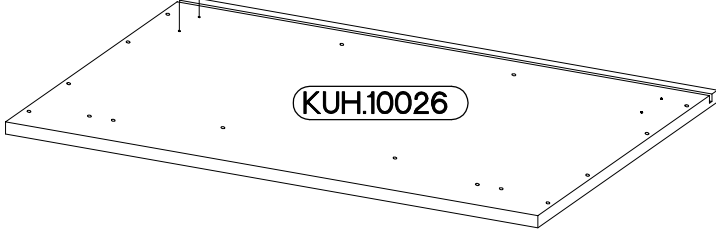
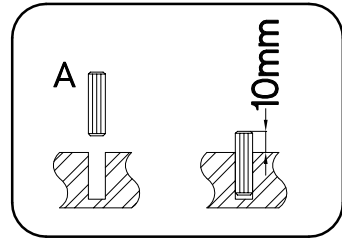
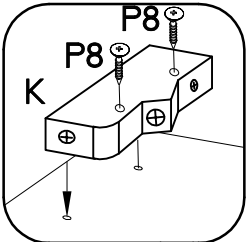
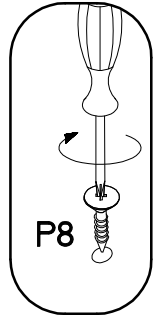
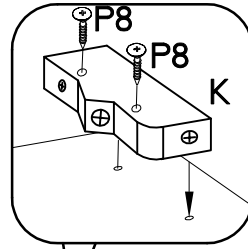
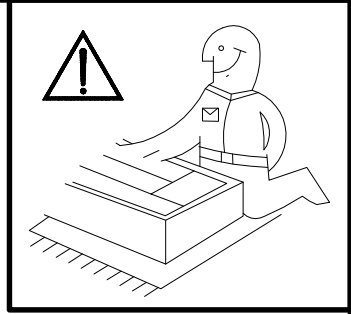
 8x30mm A 8	 6,4 x 50mm B 8	 E1 8	 HG 2	 3.5x13mm P5 4	 3.0x20mm P7 8-10	 4.0x30mm P8 4
 J 8	 K 2	 O 1				



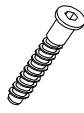
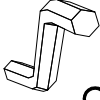

ISM-KUH-01134

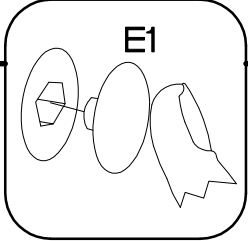
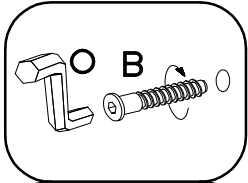
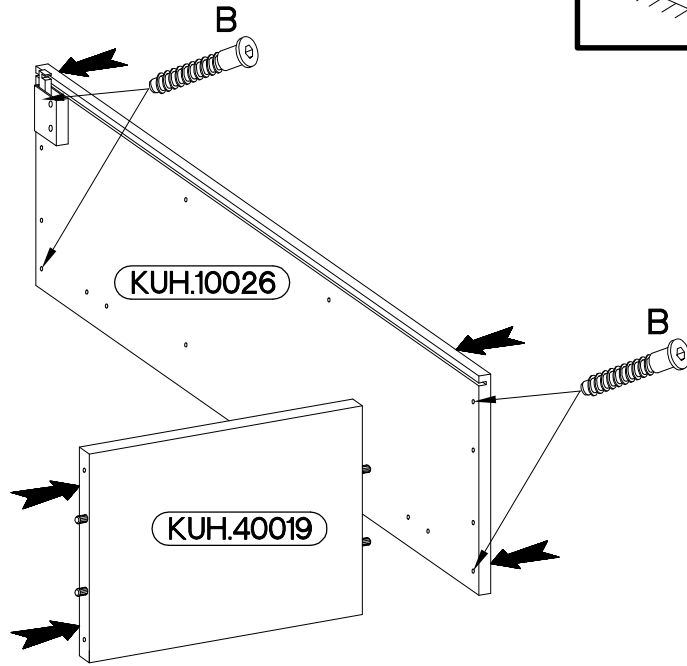
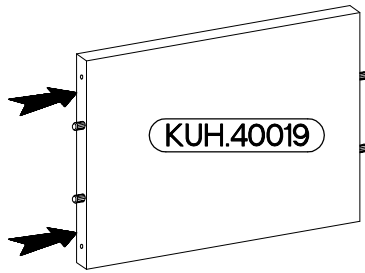
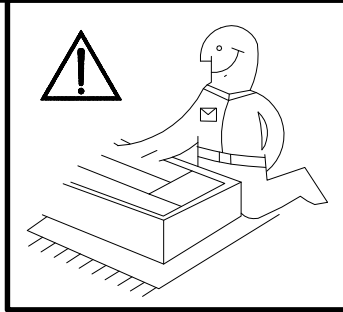
1

 A 8	 P8 4	 K 2
--	---	--

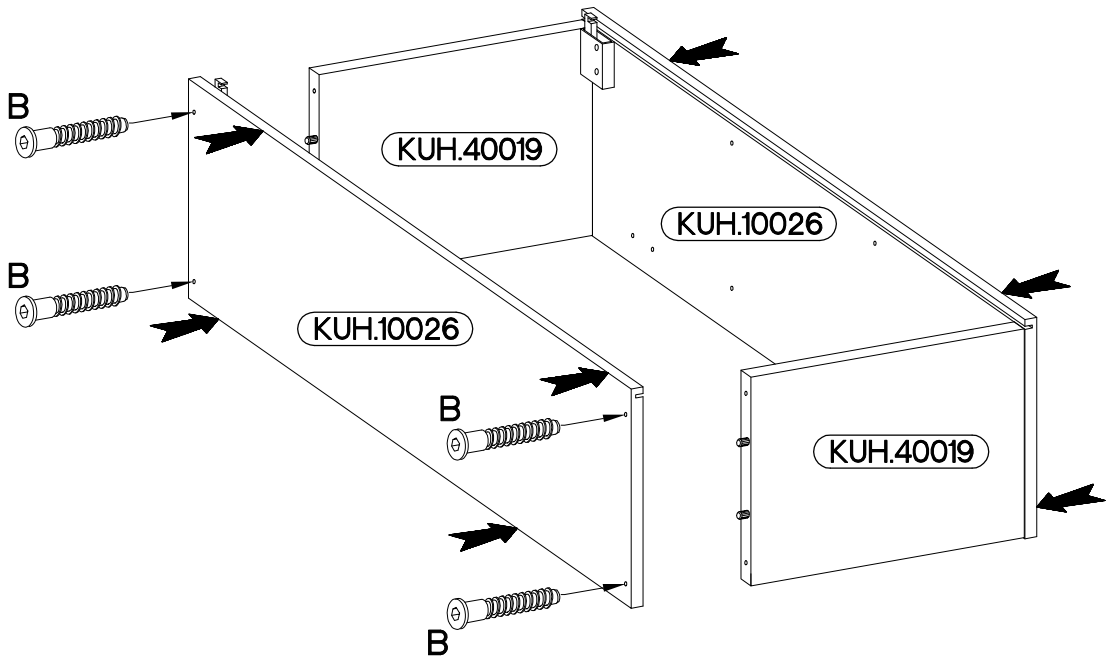



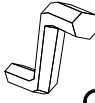

2

6,4 x 50mm		
		
B	O	E1
4	1	4

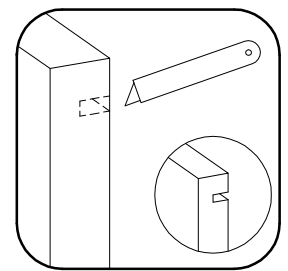
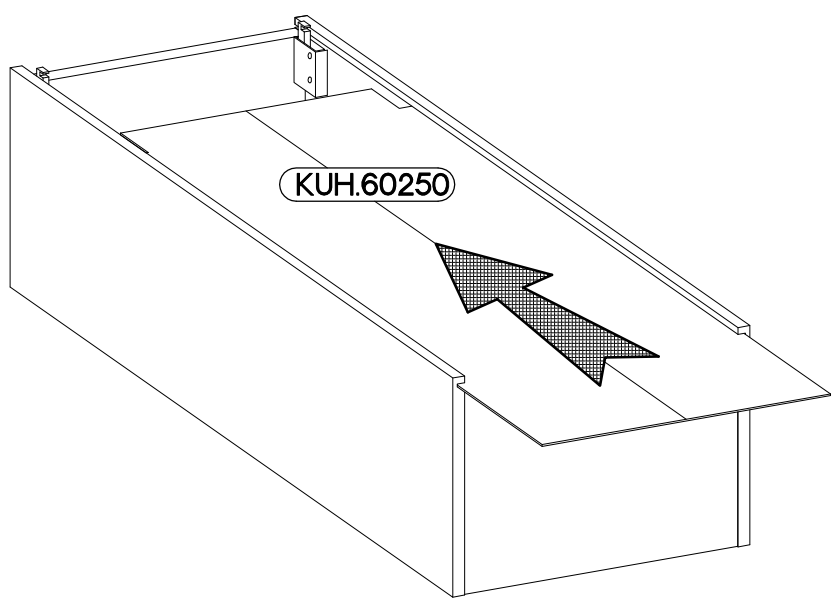
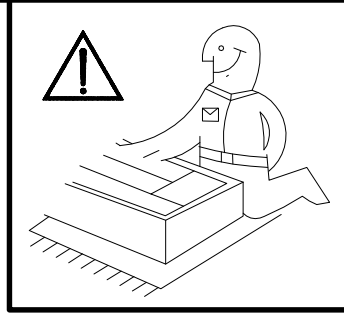


3

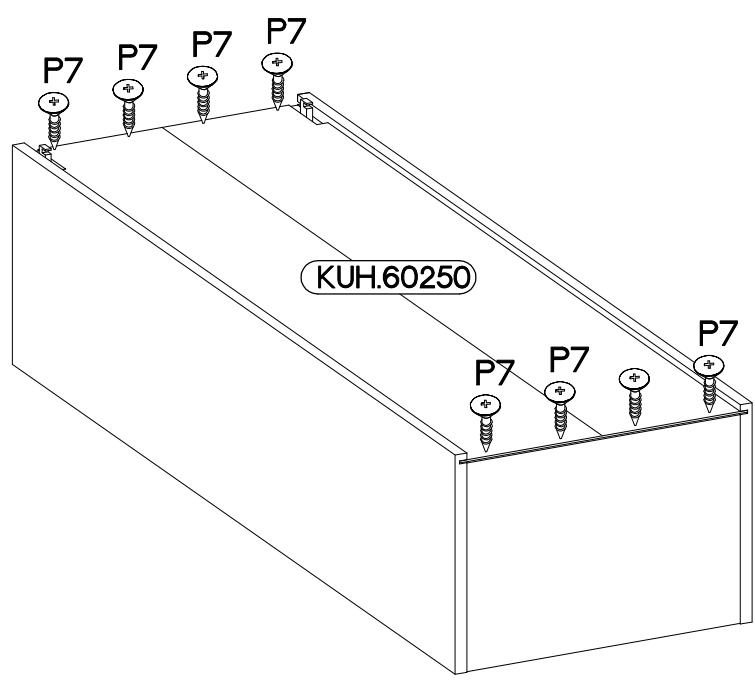
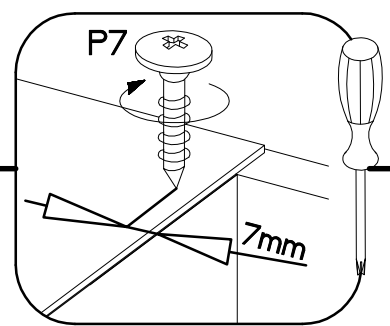
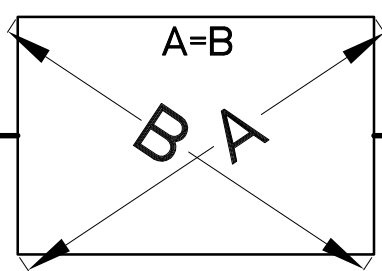
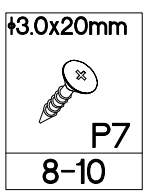


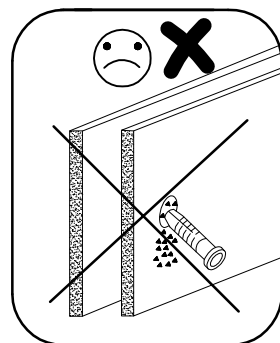
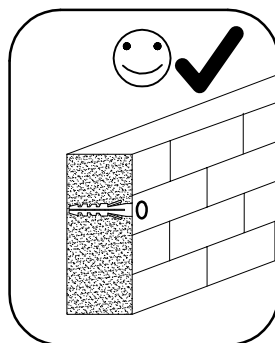
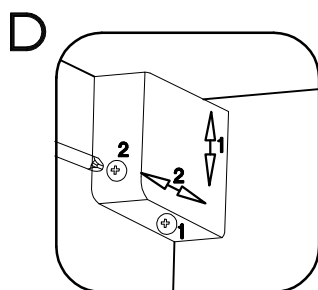
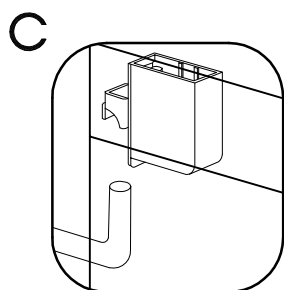
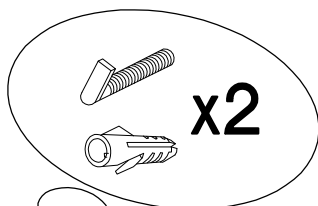
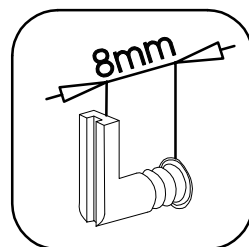
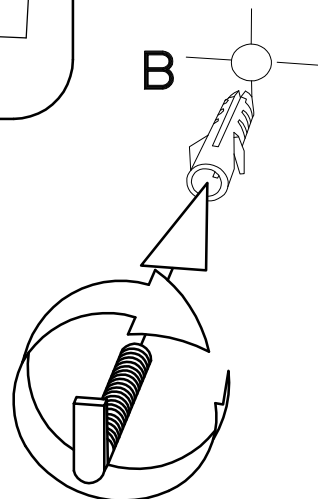
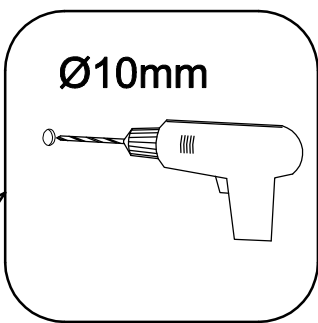
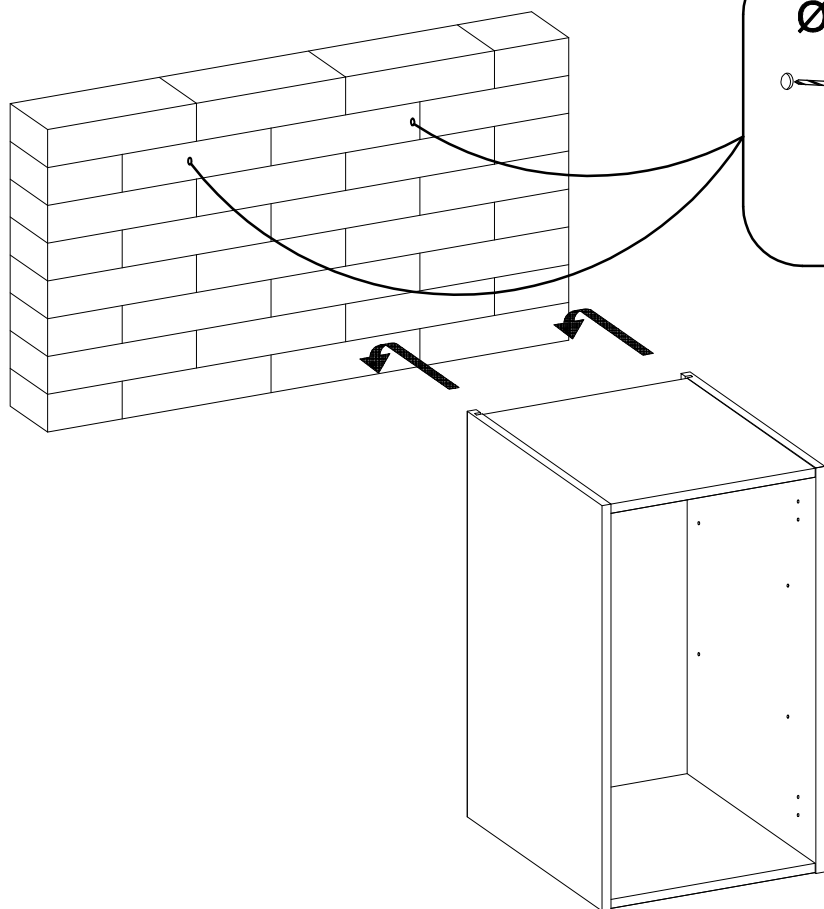
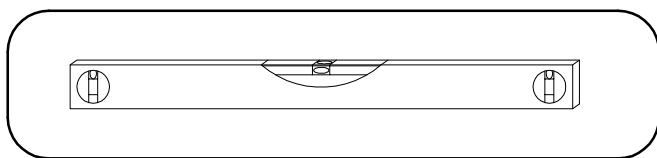
6,4 x 50mm		
		
B	O	E1
4	1	4

4

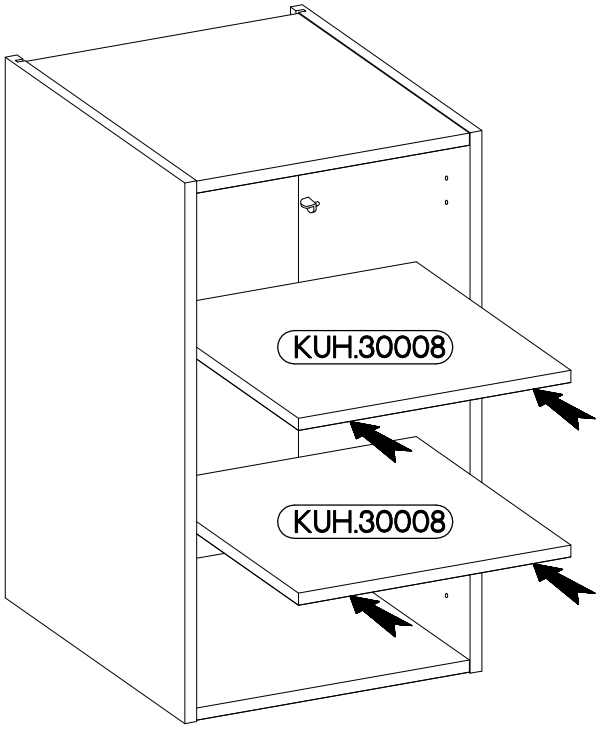
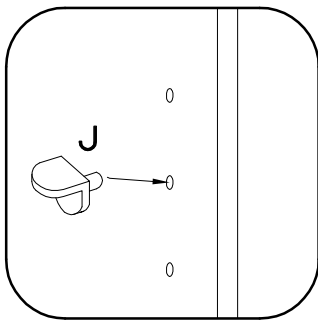
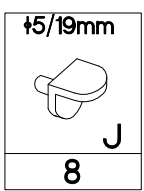


5





7



8

FRONT

