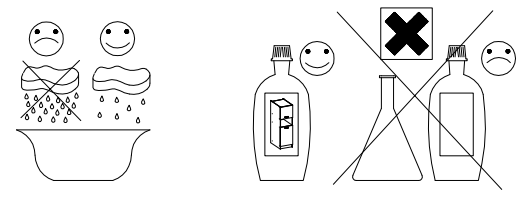
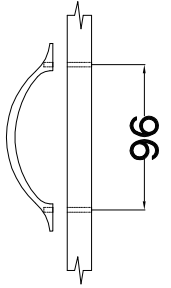
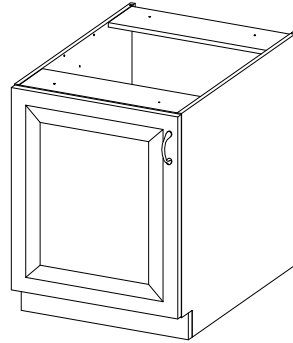
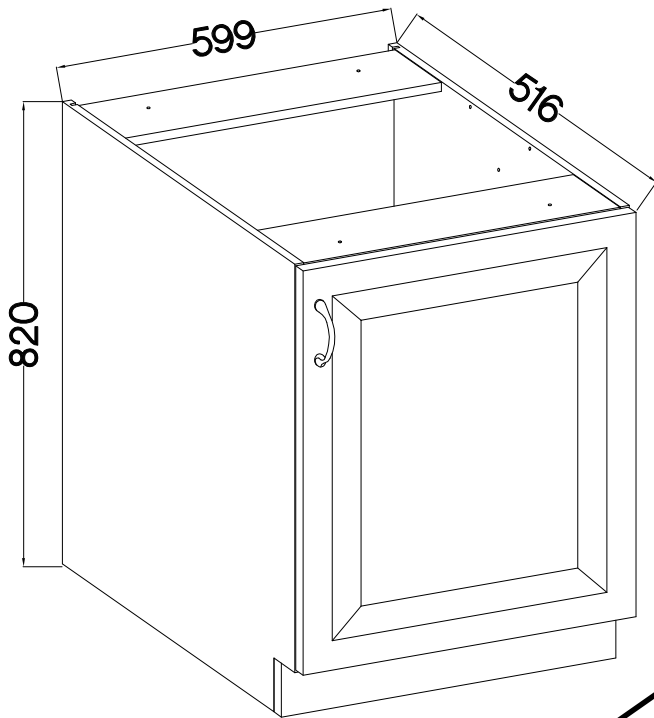


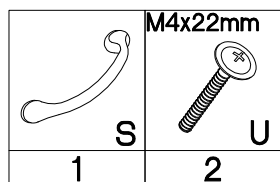
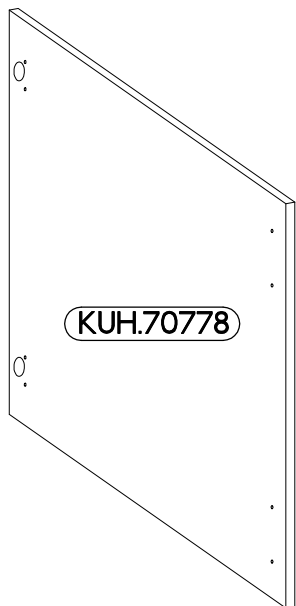
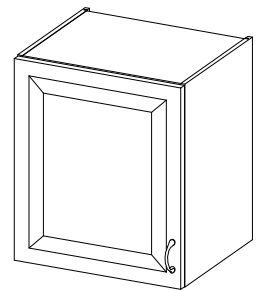
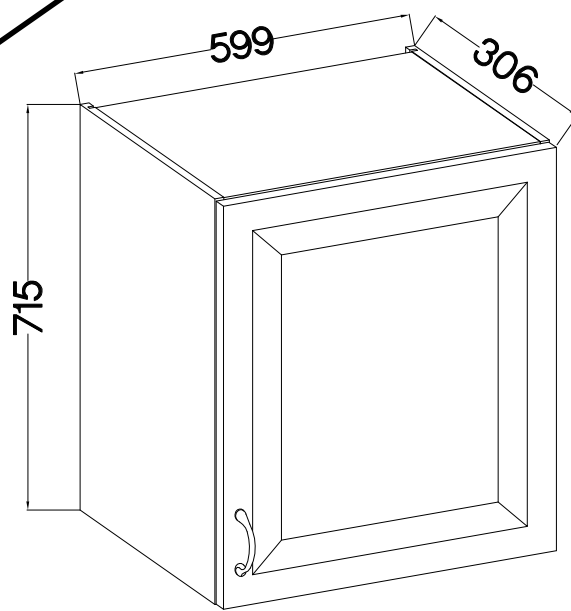
FRONT



60 D 1F BB



60 G-72 1F



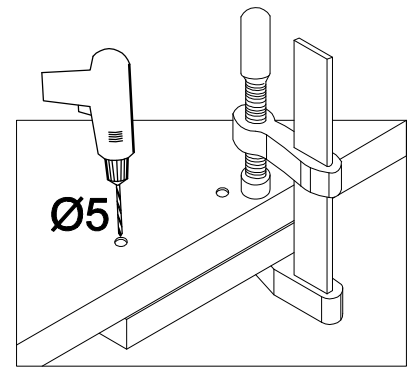
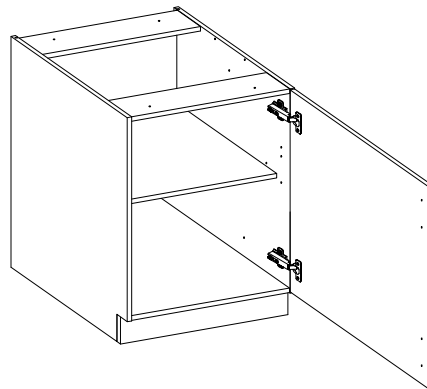
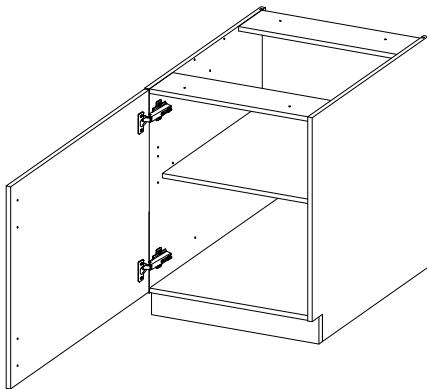
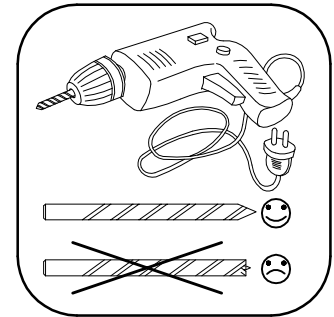
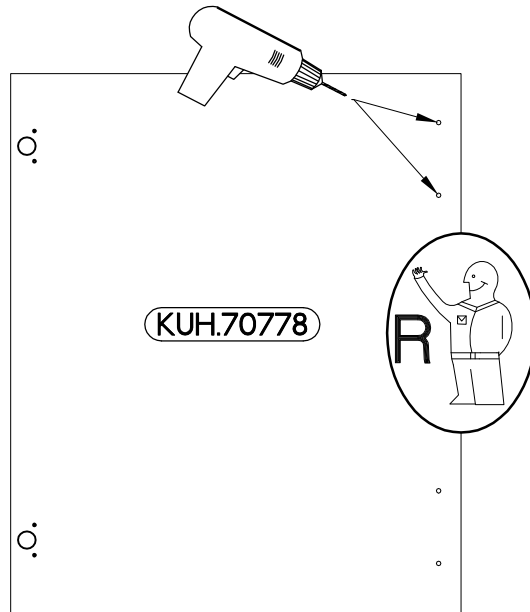
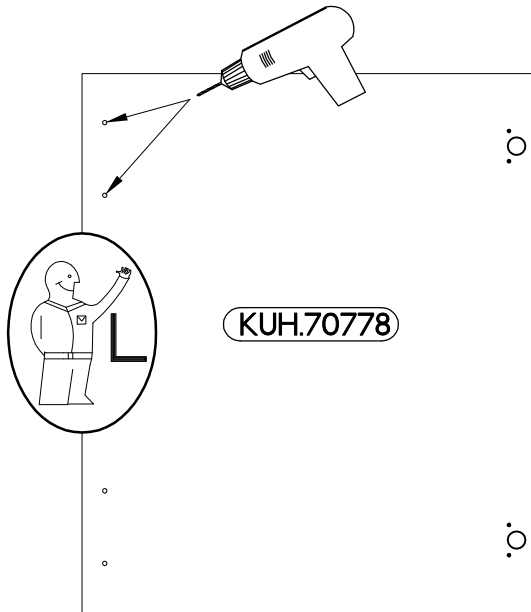
ISM-KUH-01192

1

60 D 1F BB

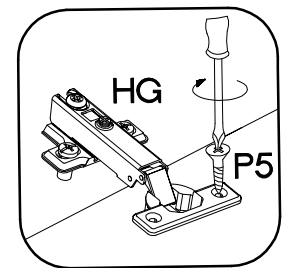
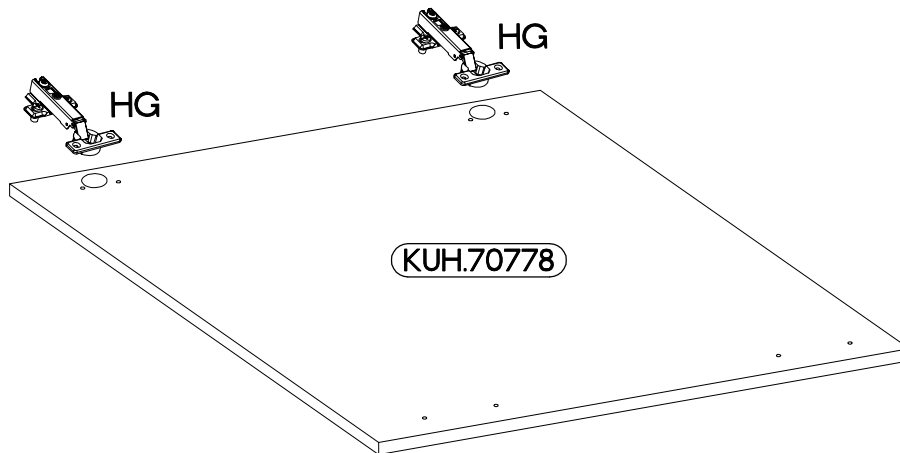
LEFT

RIGHT



2

±35/0mm	±3.5x13mm
HG	P5
2	4



M4x22mm



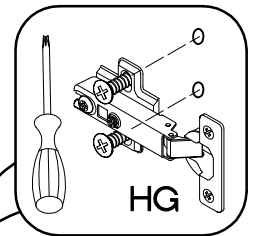
U

2

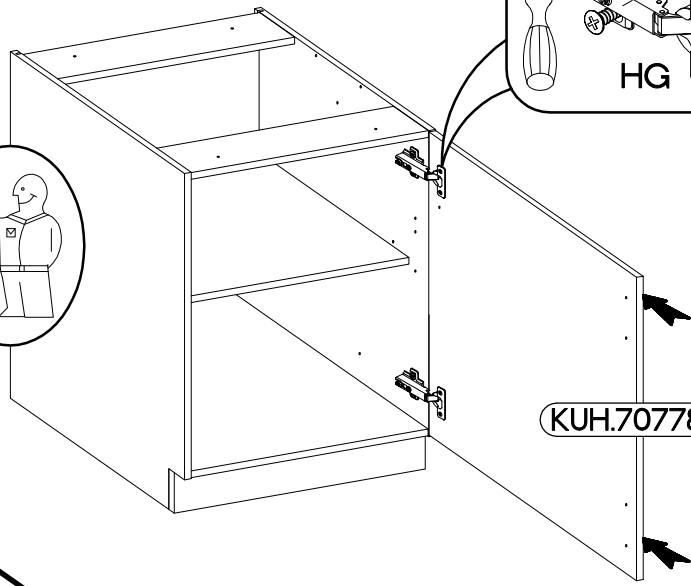
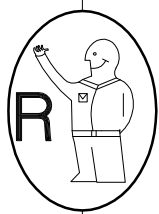


S

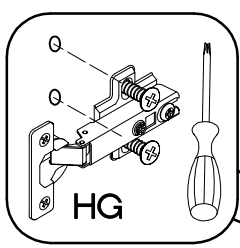
1



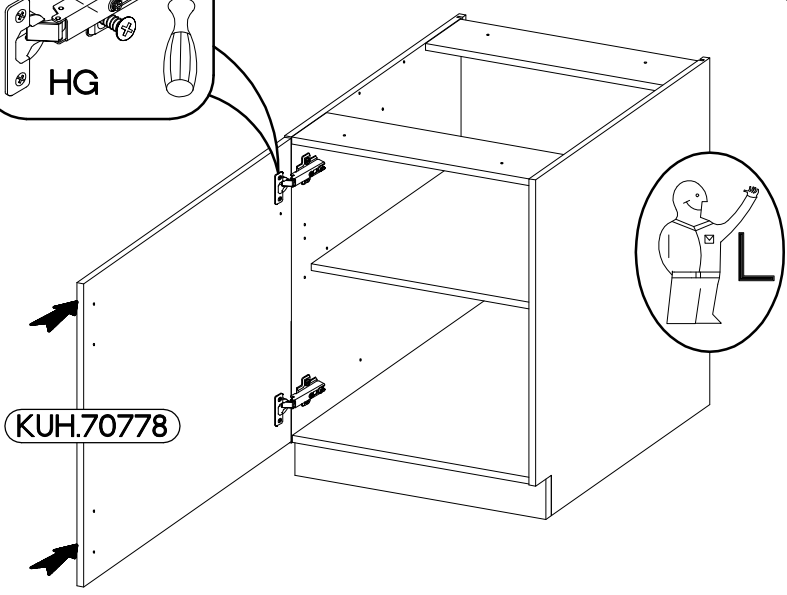
HG



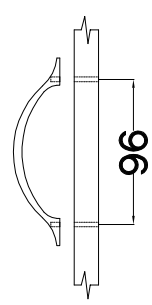
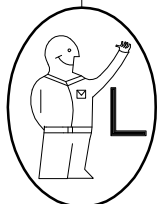
KUH.70778



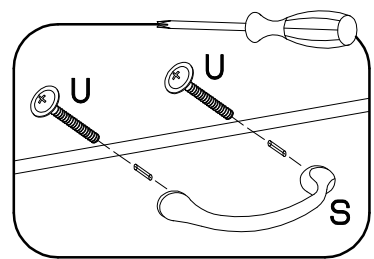
HG



KUH.70778

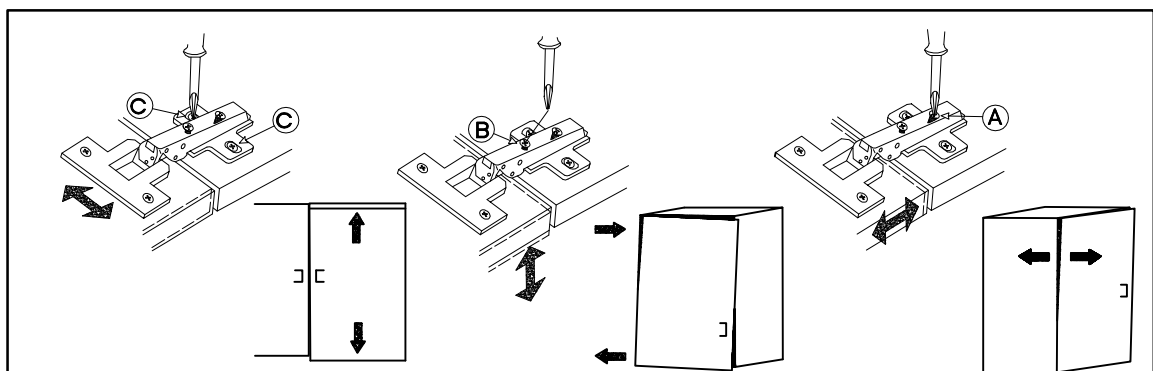


96



U

S

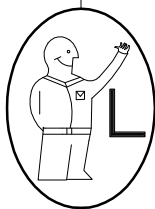
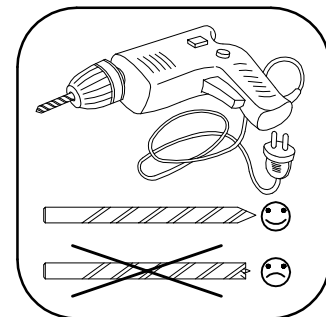


4

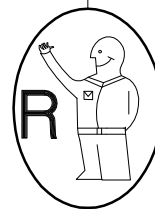
60 G-72 1F

LEFT

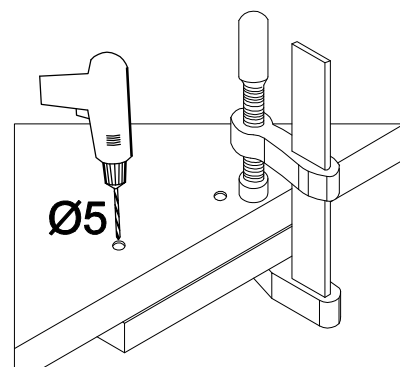
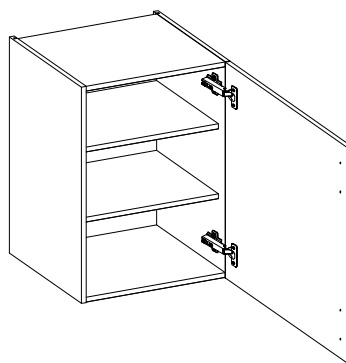
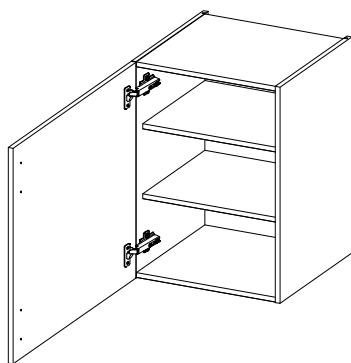
RIGHT





KUH.70778

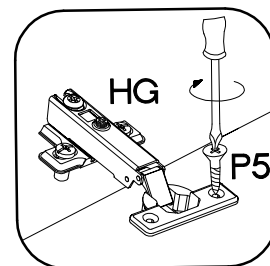
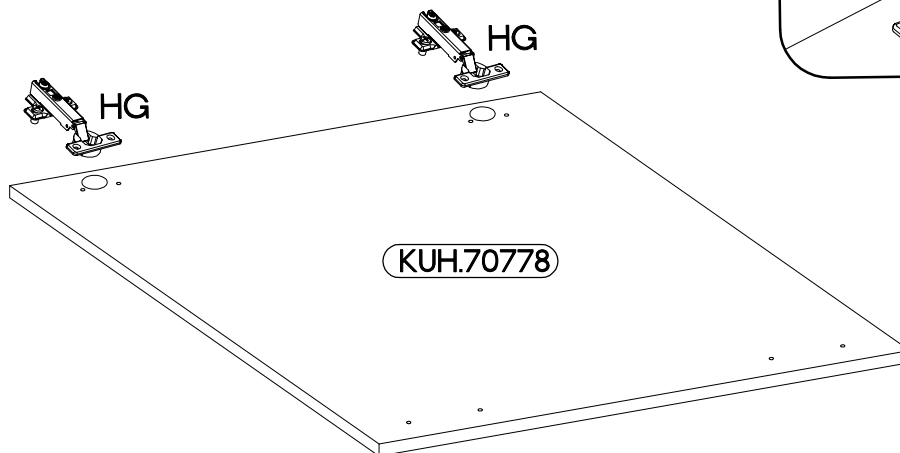


KUH.70778



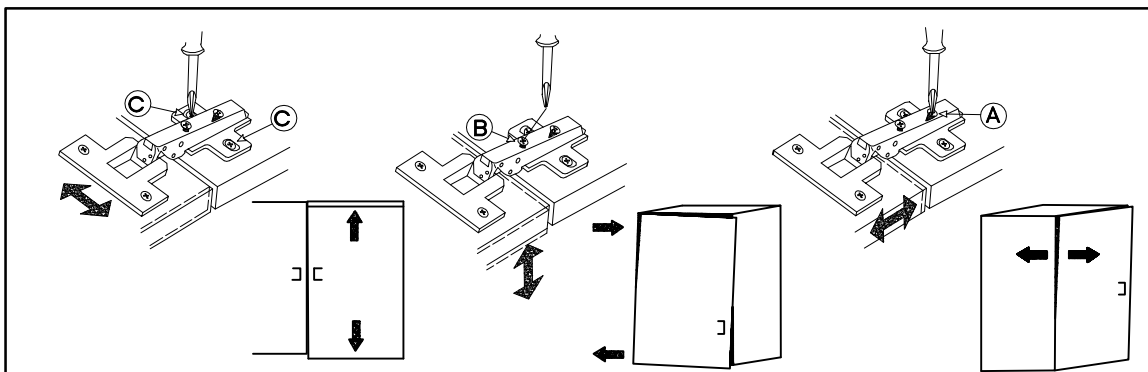
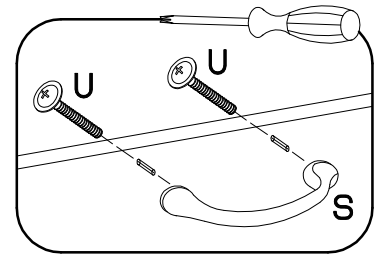
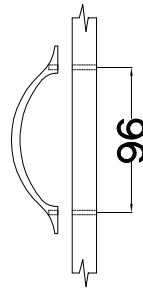
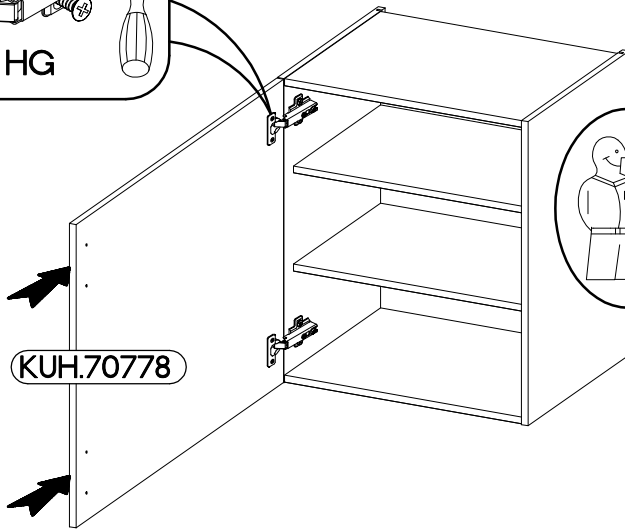
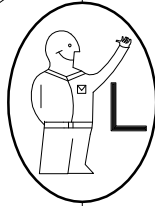
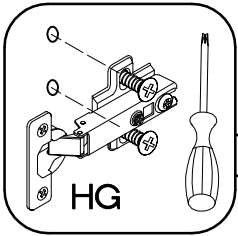
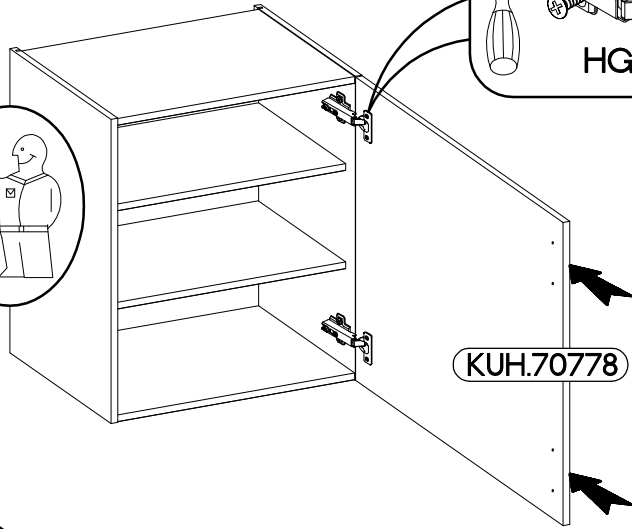
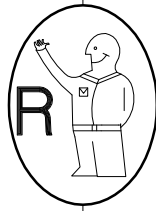
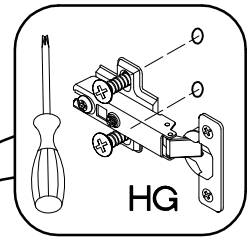
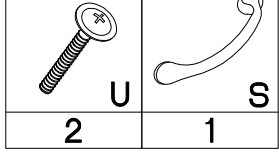
5

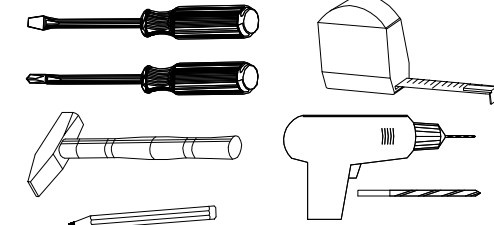
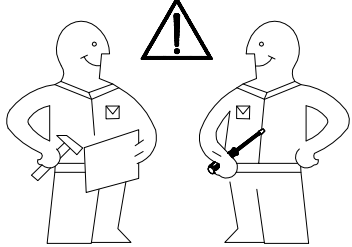
 HG 2	 P5 4
--	--



6

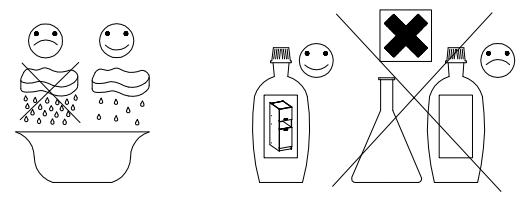
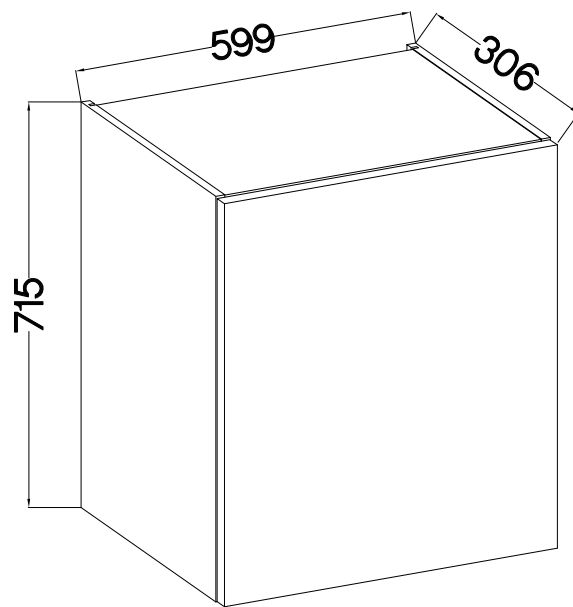
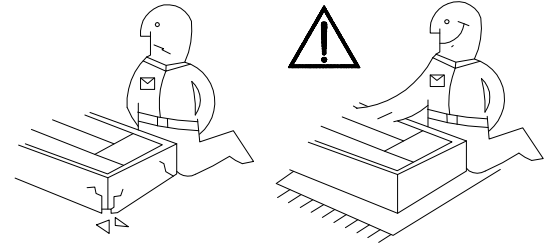
M4x22mm



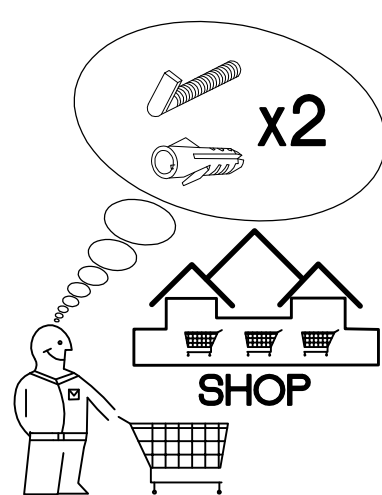
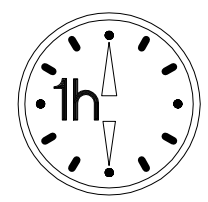


Ø10mm

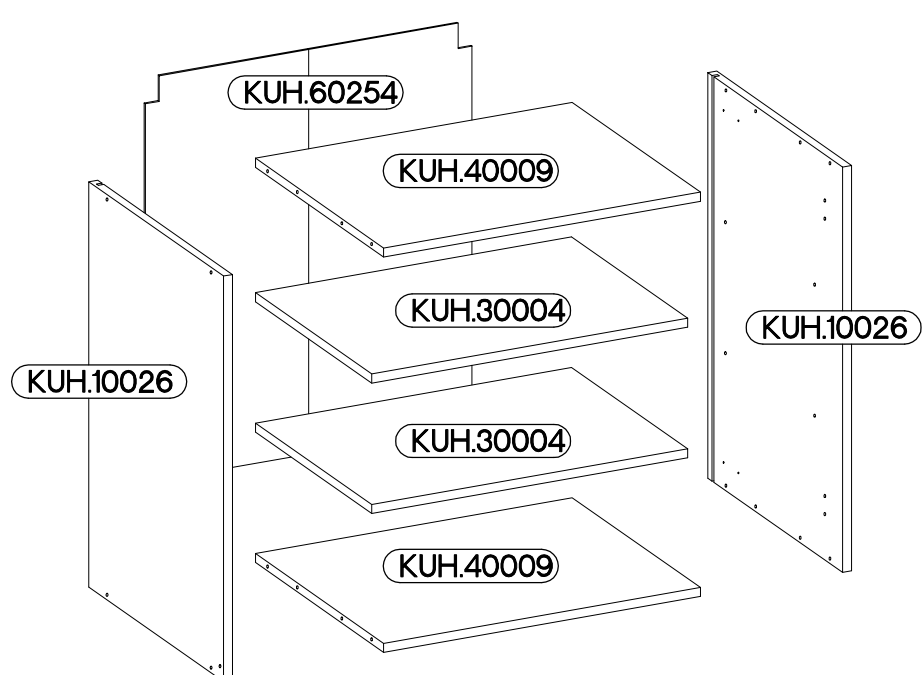
60 G-72 1F



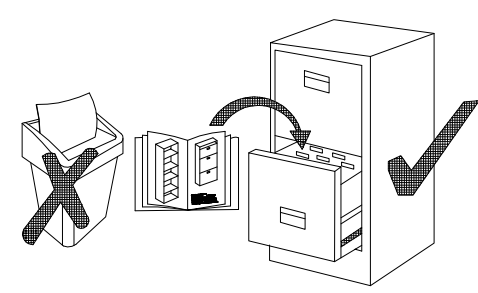
KUH.30004
KUH.40009



x2

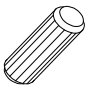
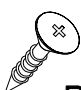
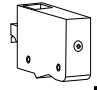


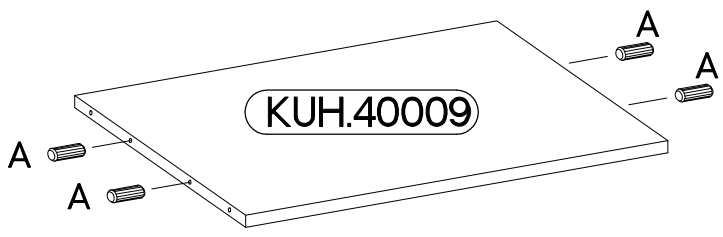
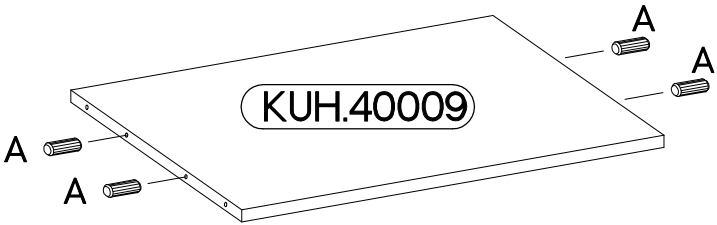
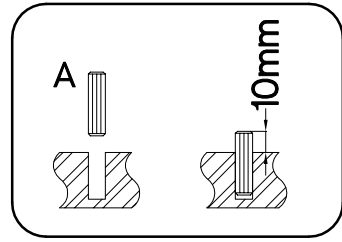
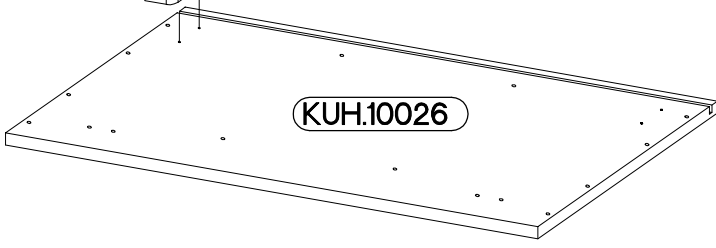
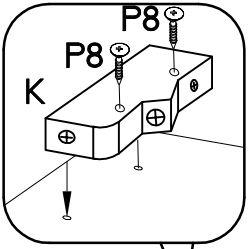
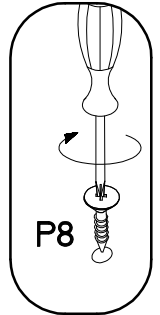
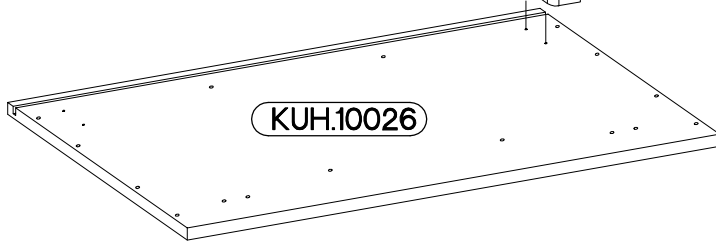
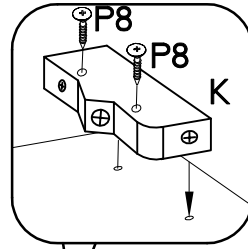
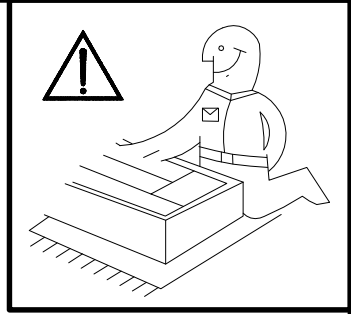
<p>†8x30mm</p> <p>A</p> <p>8</p>	<p>6,4 x 50mm</p> <p>B</p> <p>8</p>	<p>E1</p> <p>8</p>	<p>†35/0mm</p> <p>HG</p> <p>2</p>	<p>†3.5x13mm</p> <p>P5</p> <p>4</p>	<p>†3.0x20mm</p> <p>P7</p> <p>8-10</p>	<p>†4.0x30mm</p> <p>P8</p> <p>4</p>
<p>J</p> <p>8</p>	<p>K</p> <p>2</p>	<p>O</p> <p>1</p>				



ISM-KUH-01142

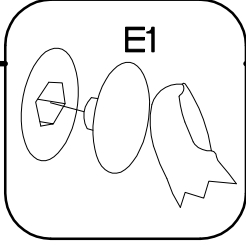
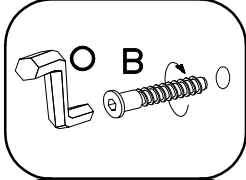
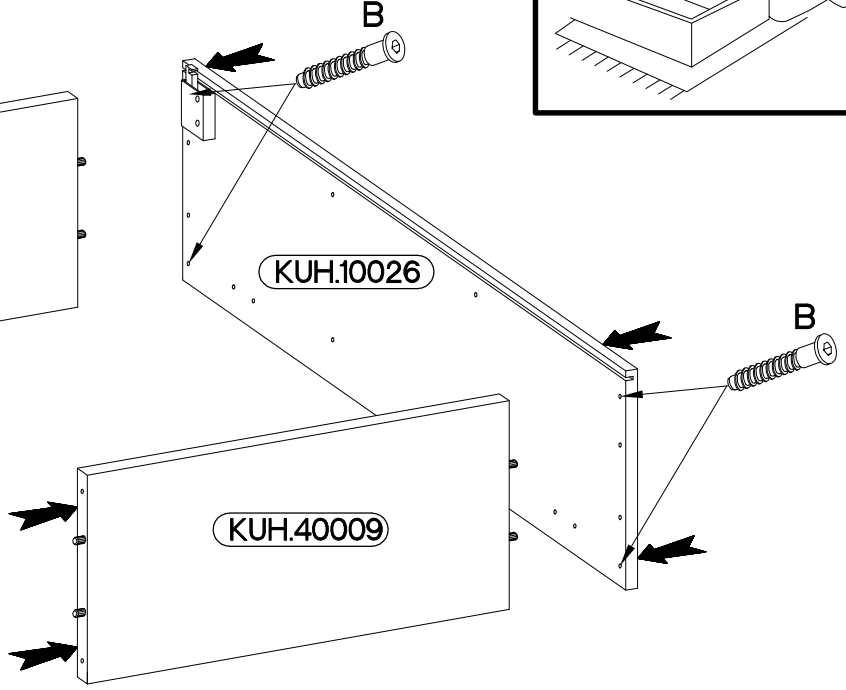
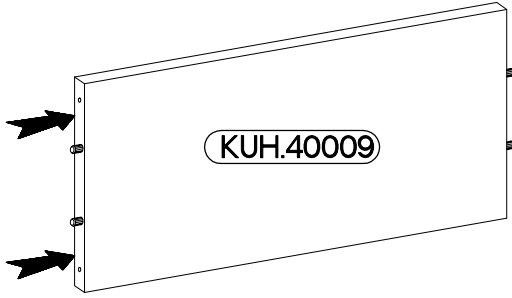
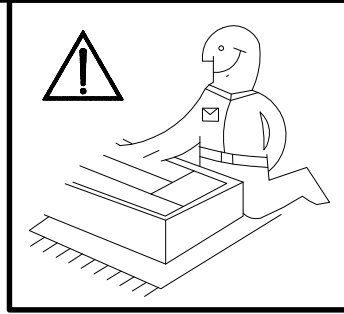
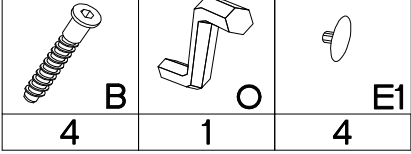
1

$\pm 8 \times 30 \text{mm}$  A 8	$\pm 4.0 \times 30 \text{mm}$  P8 4	 K 2
---	--	--

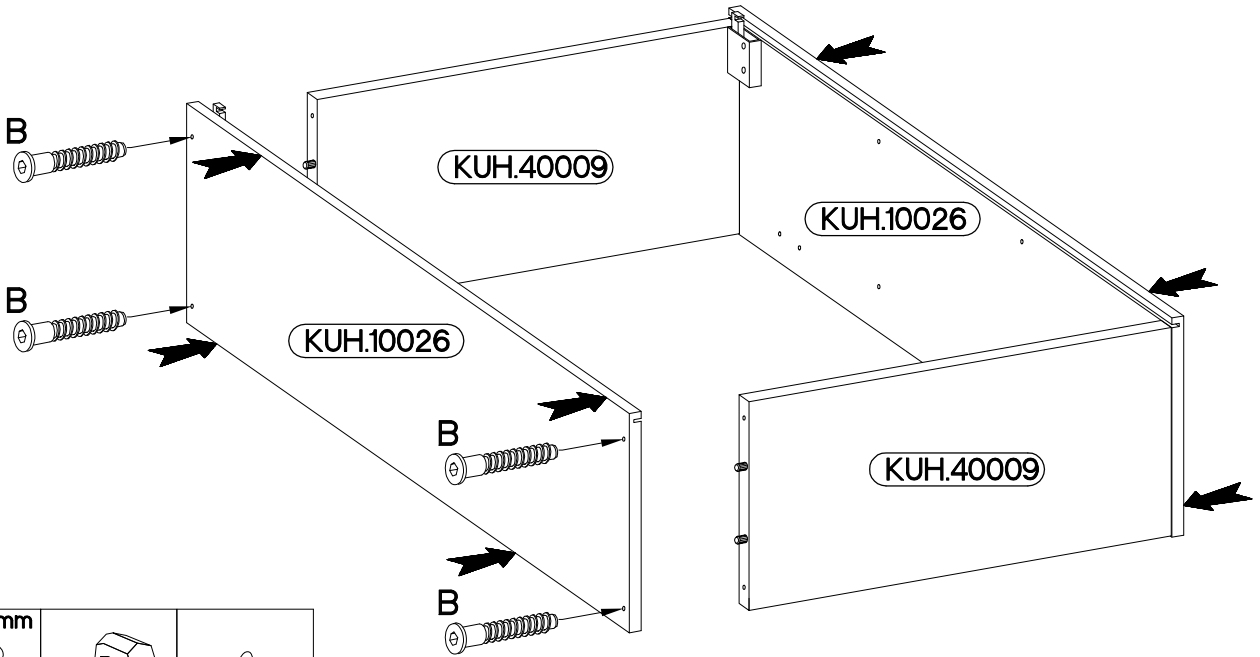


2

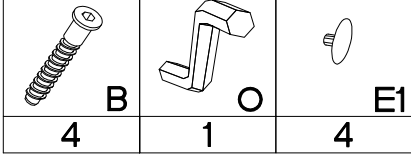
6,4 x 50mm



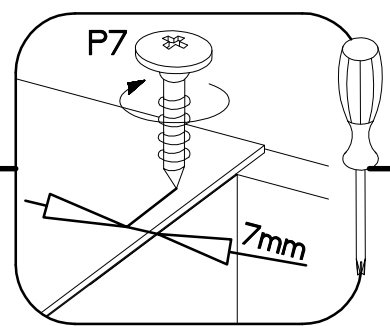
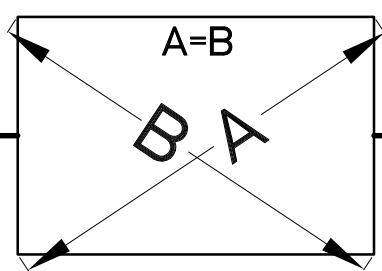
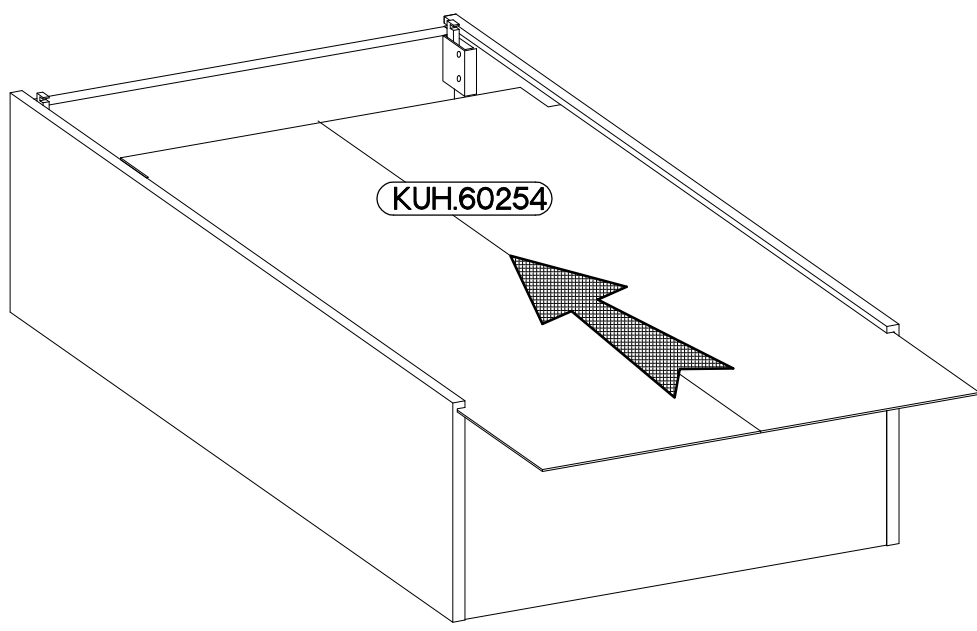
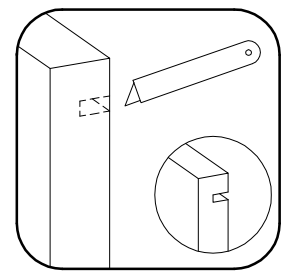
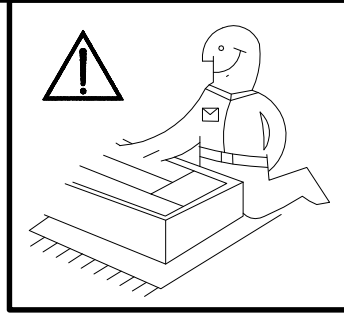
3



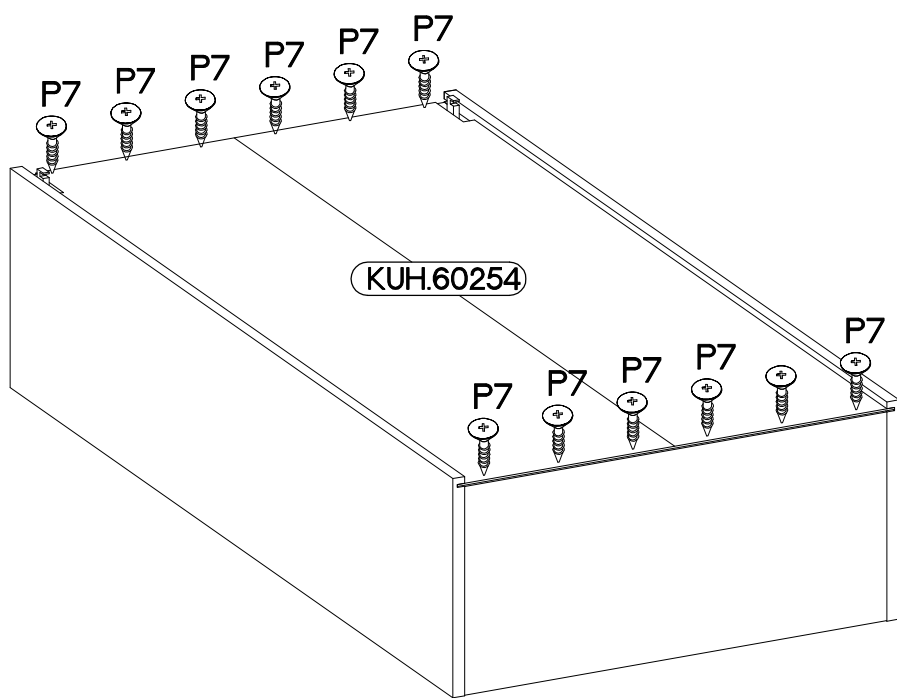
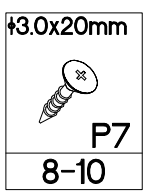
6,4 x 50mm

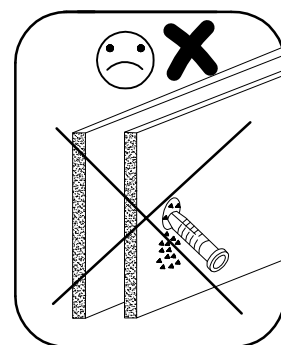
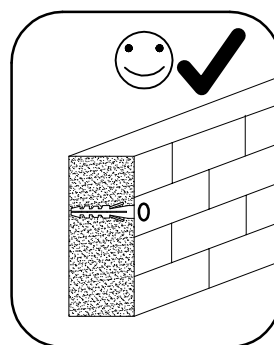
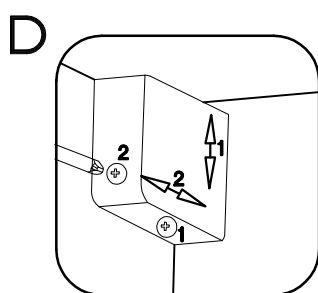
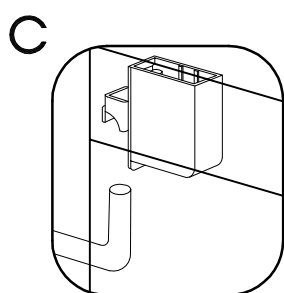
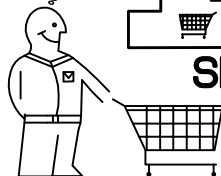
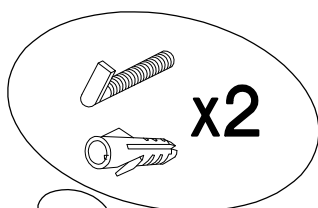
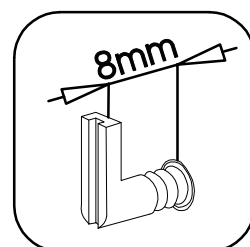
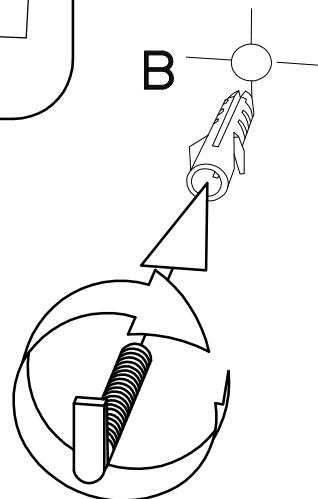
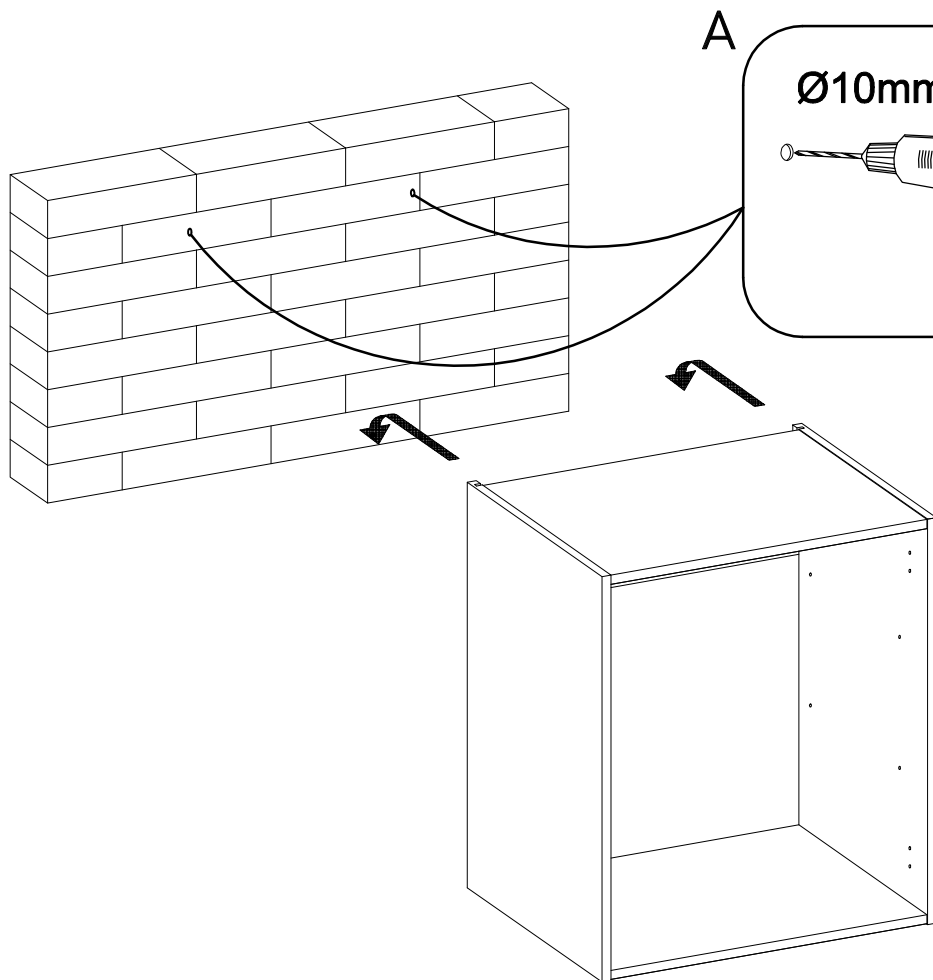
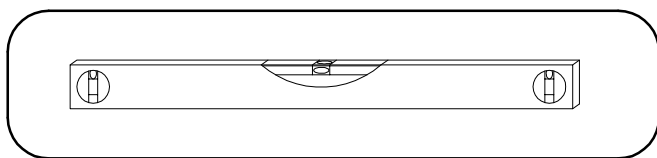


4

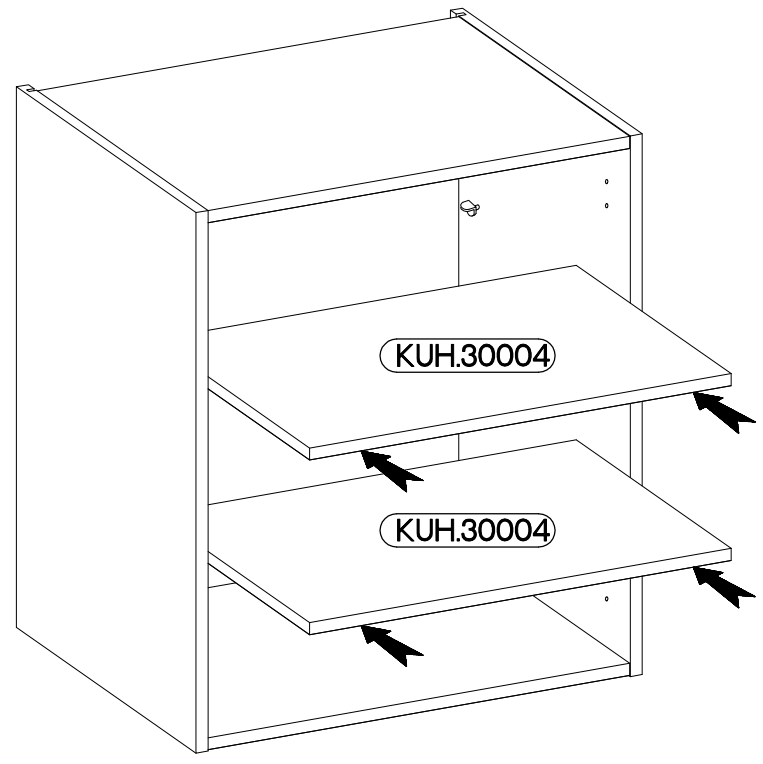
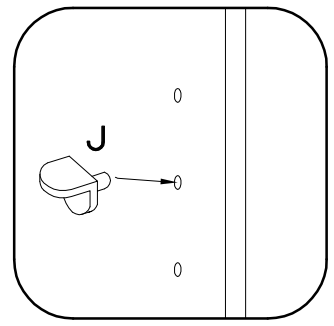
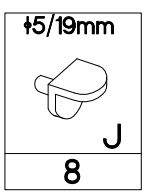


5





7



8

FRONT

