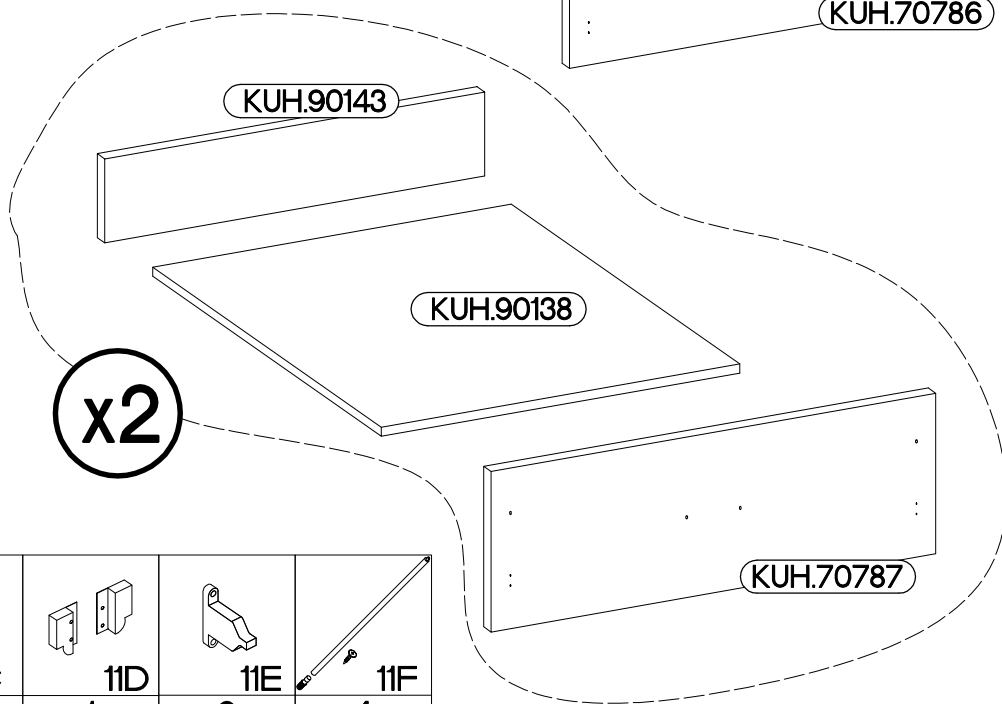
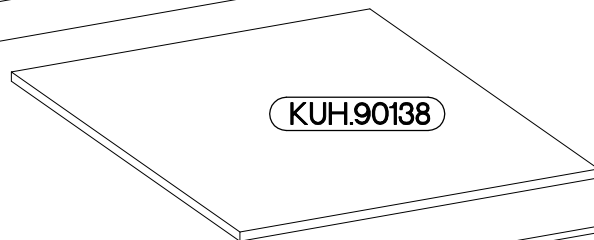
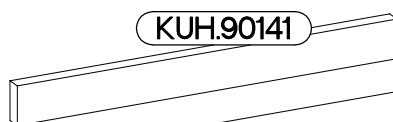
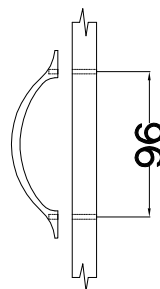
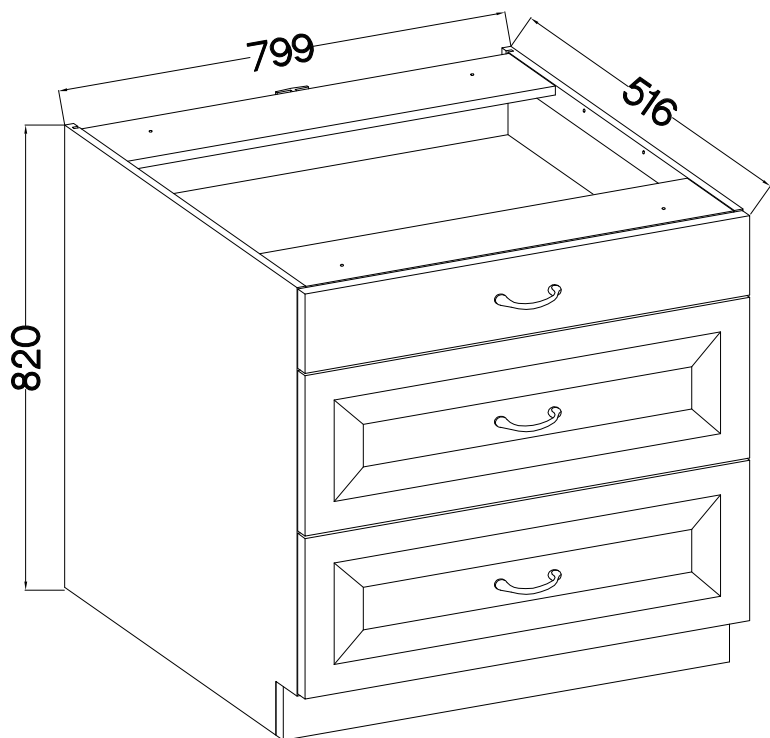
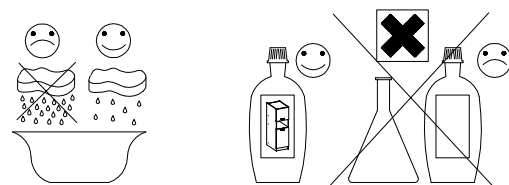


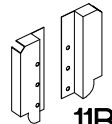
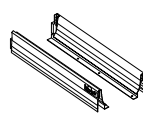
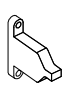
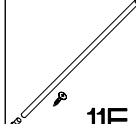




80 D 3S BB
Premium Box

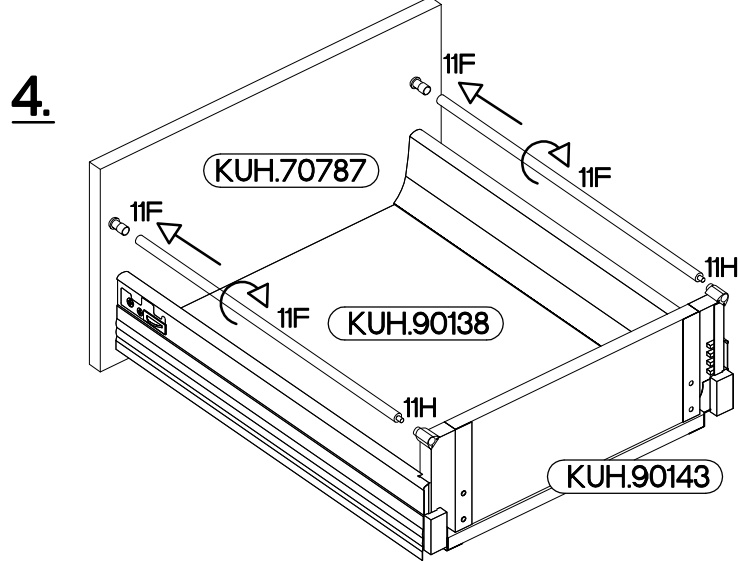
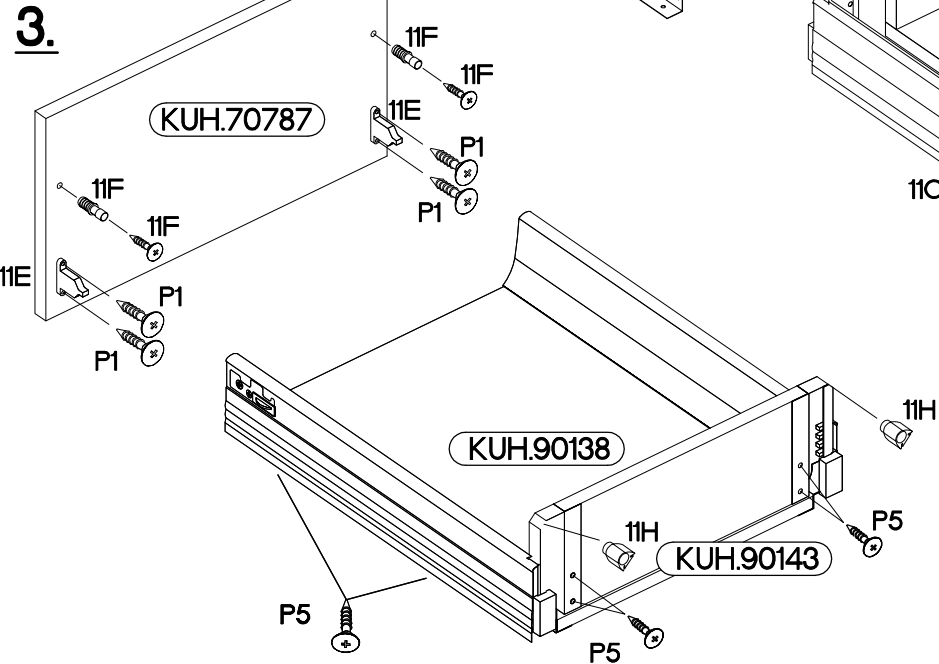
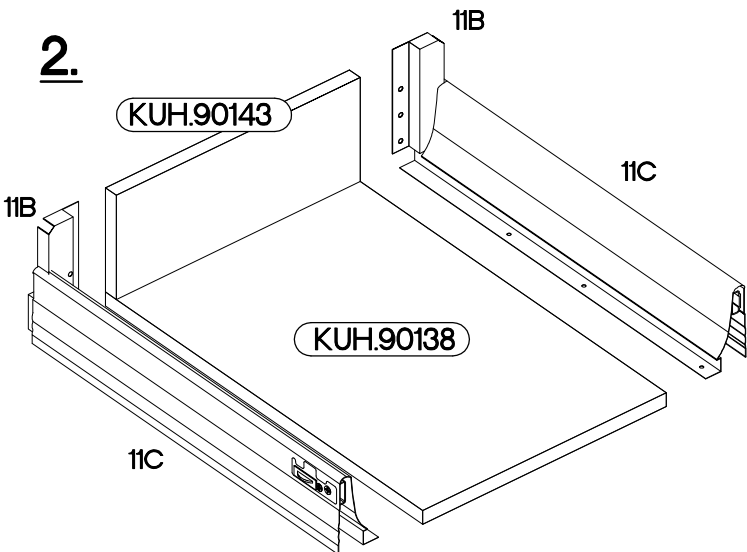
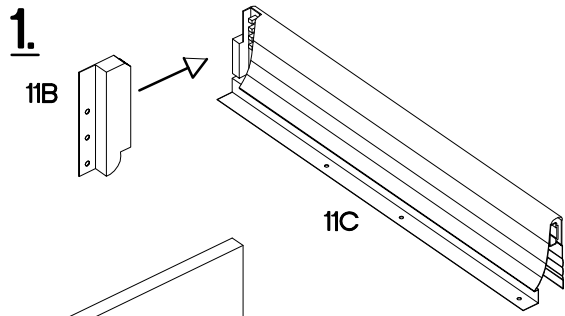


3	2	3	1	6	4
6	4	12	24	24	6
			3		

ISM-KUH-01194

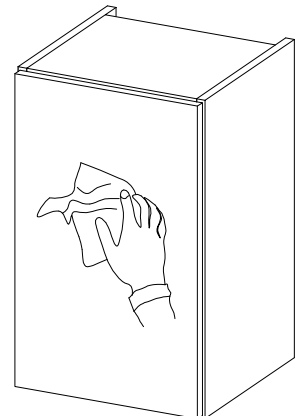
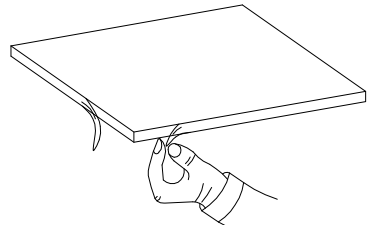
1

					 $\uparrow 4.0 \times 16 \text{mm}$	 $\uparrow 3.5 \times 13 \text{mm}$	
11B	11C	11E	11F	11H	P1	P5	11G
2	2	4	4	4	8	16	4

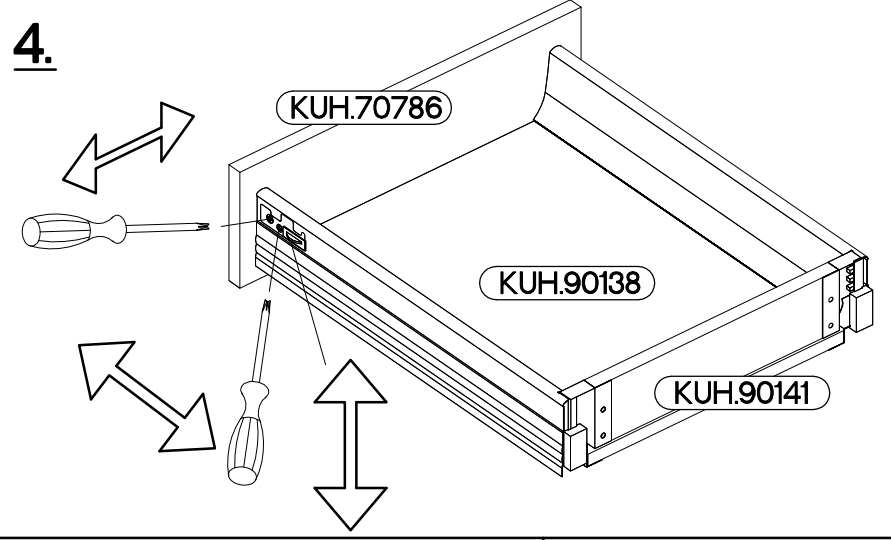
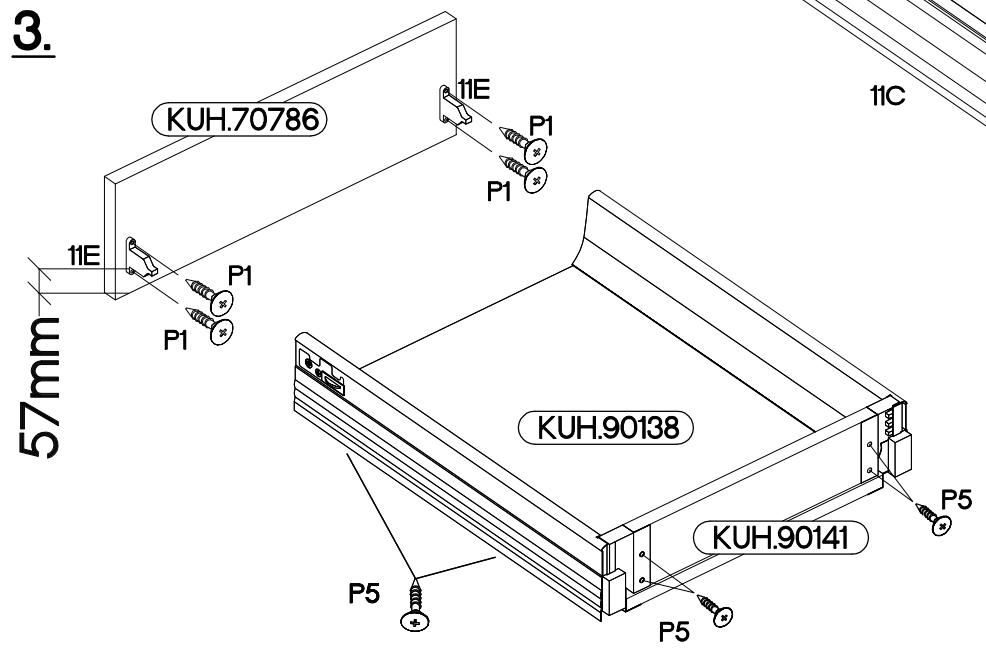
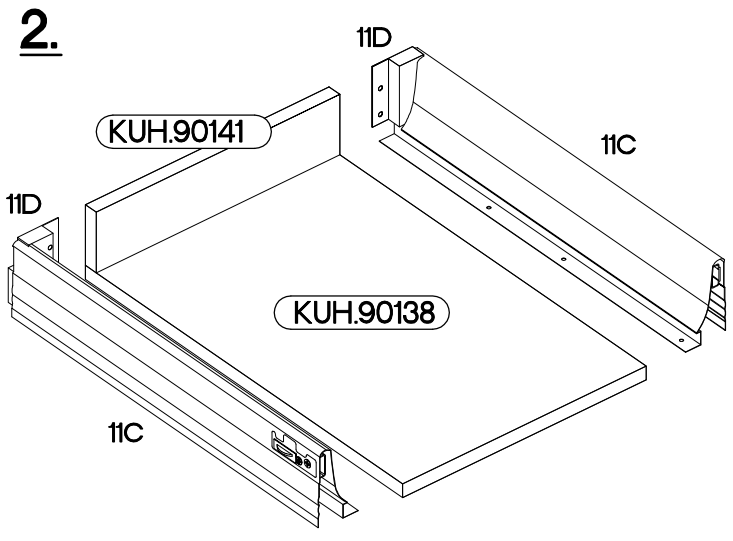
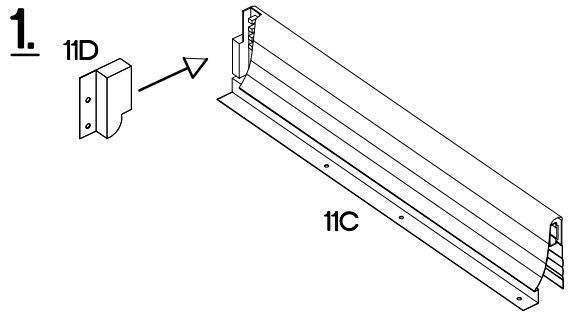


x2

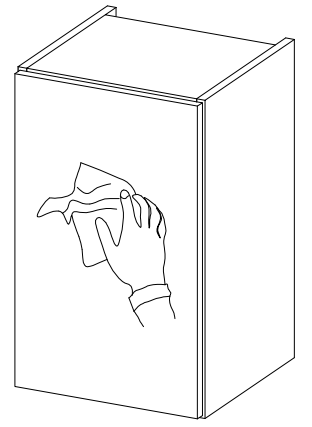
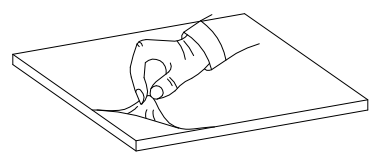
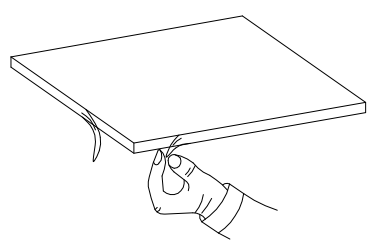
VARIANT HIGH GLOSS

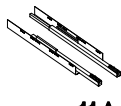




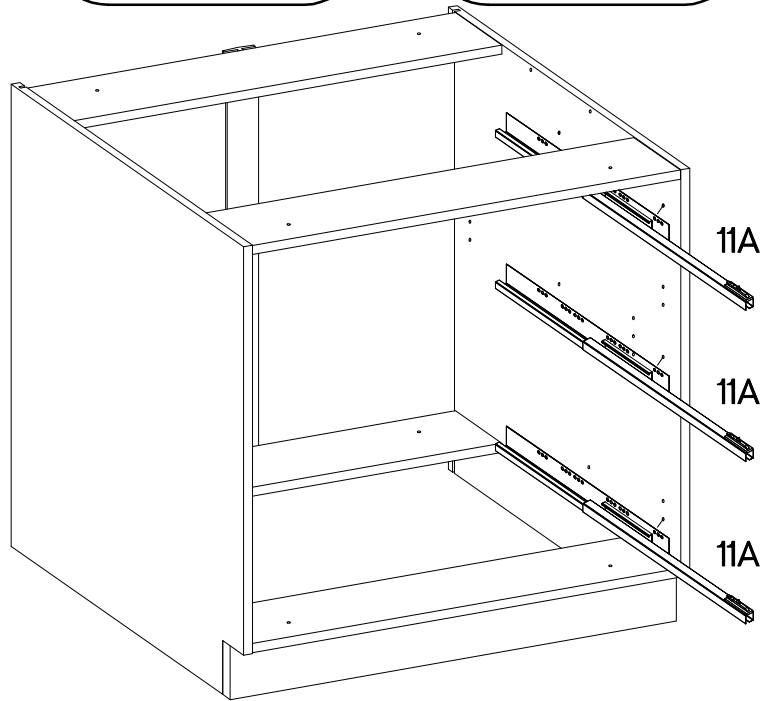
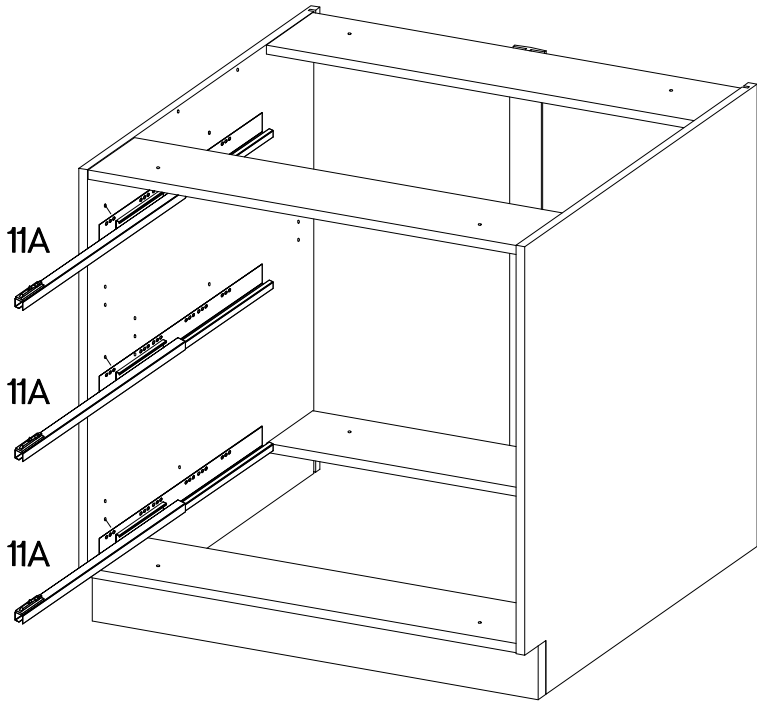
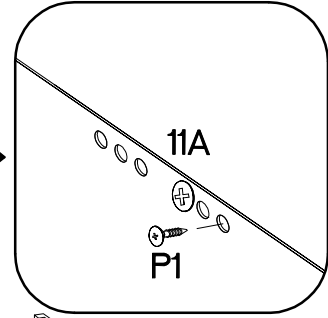
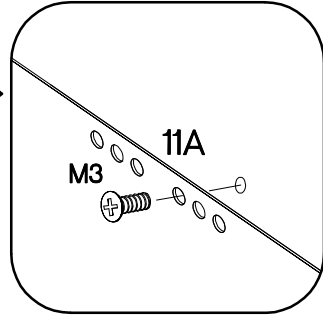
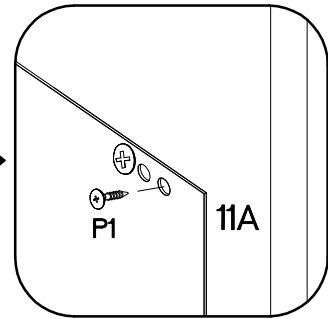
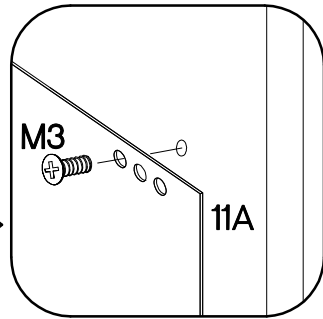
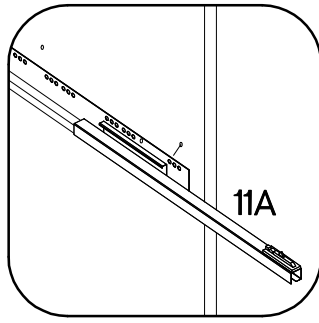
			$\pm 4.0 \times 16 \text{mm}$ 	$\pm 3.5 \times 13 \text{mm}$ 	
11D	11C	11E	P1	P5	11G
1	1	2	4	8	2





VARIANT HIGH GLOSS

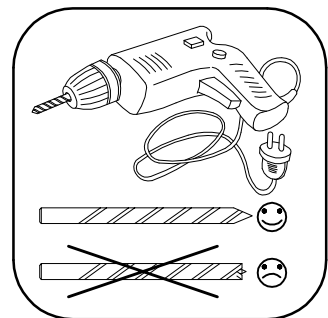
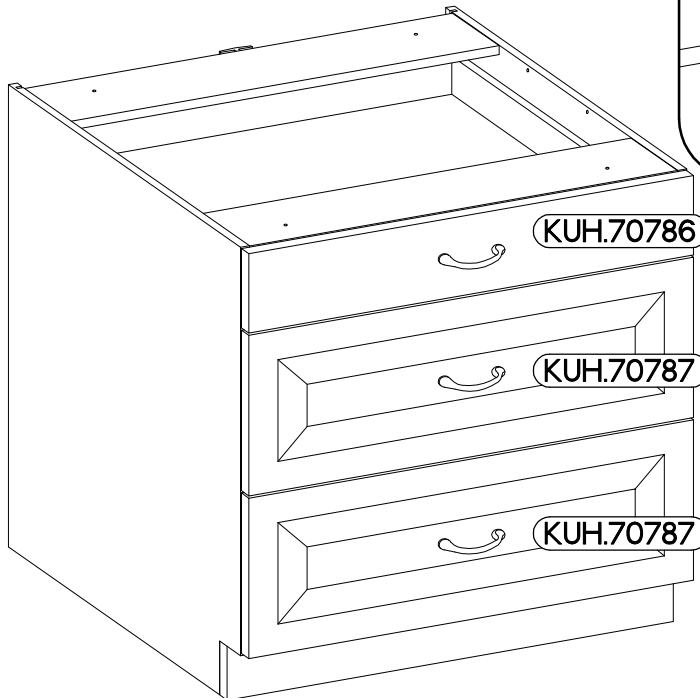
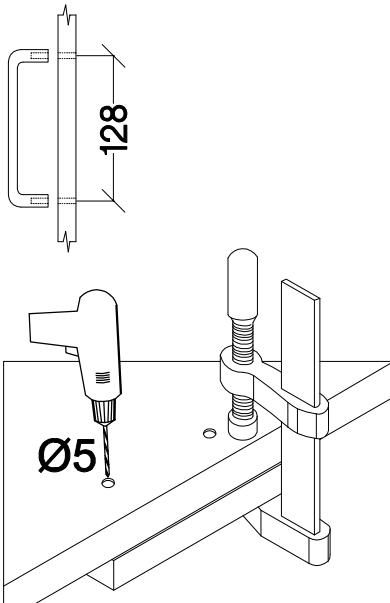
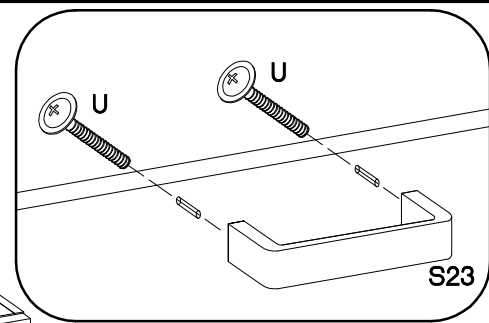


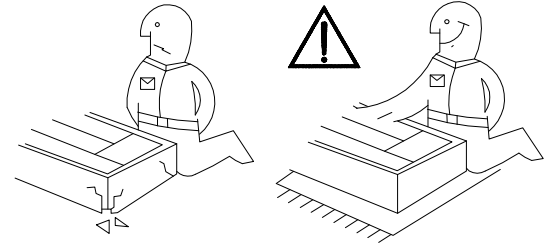
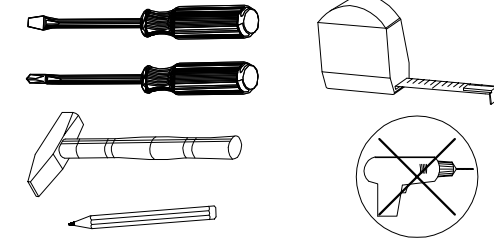
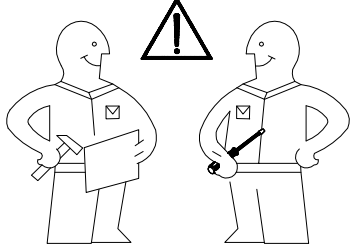
	+6.3x13mm 	+4.0x16mm 
11A 3	M3 12	P1 12



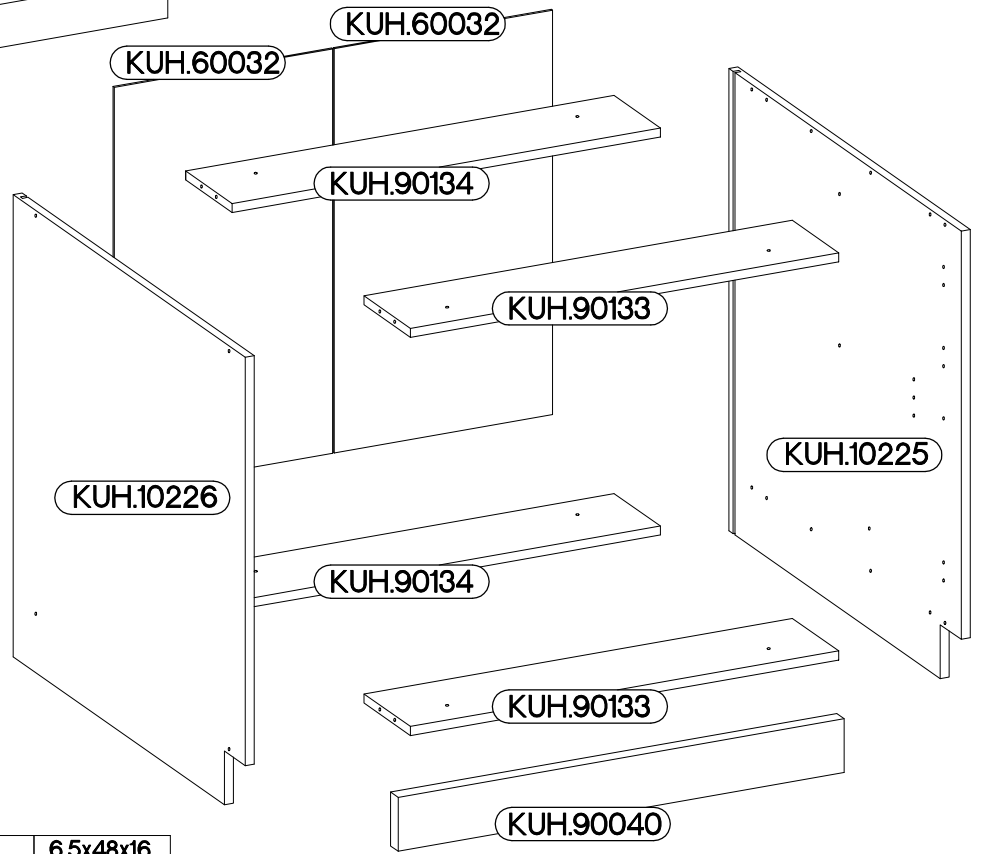
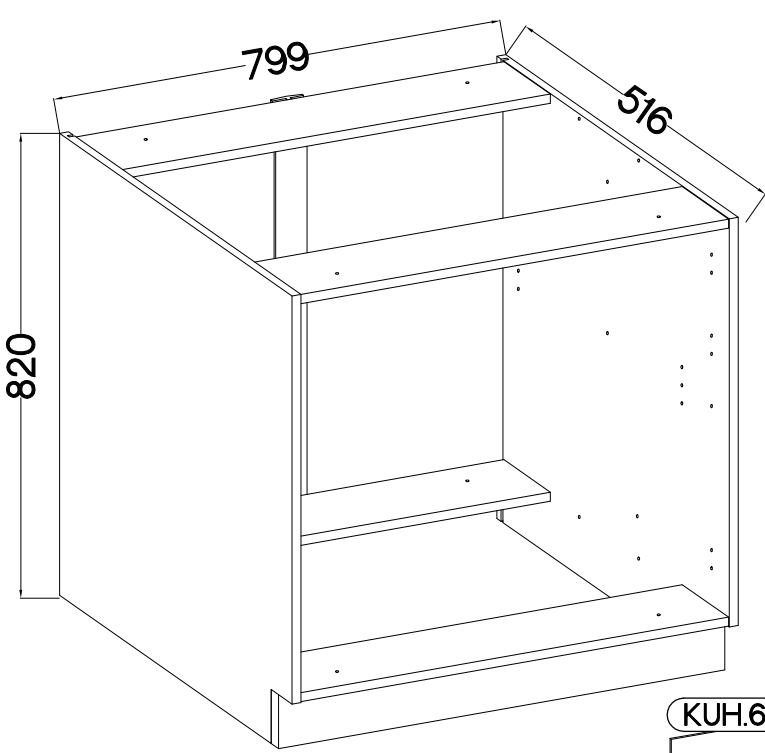
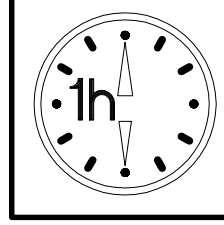
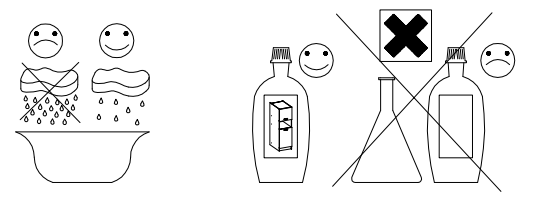
4

M4x22mm 	
U 6	S 3

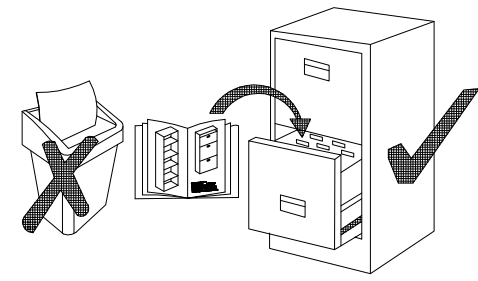




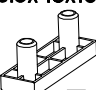
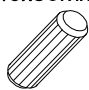
80 D 3S BB Premium Box

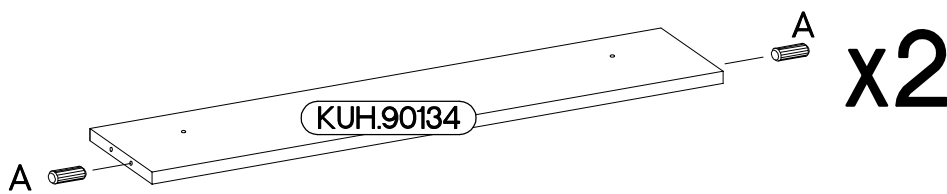
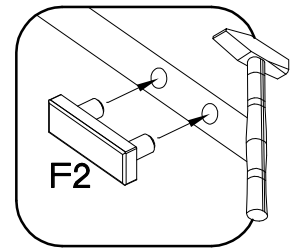
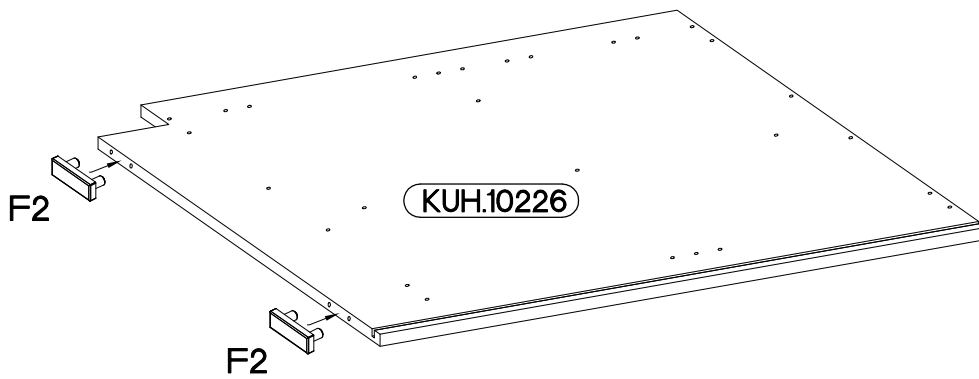
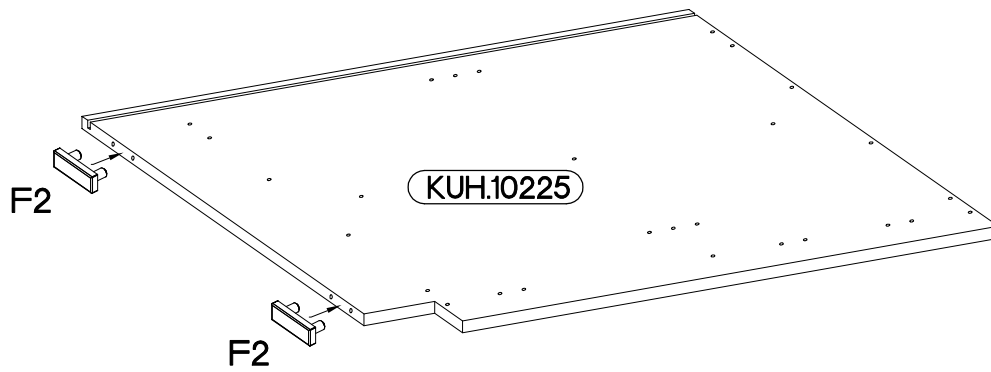
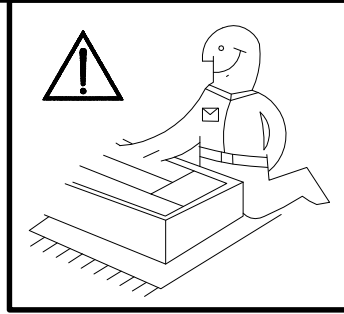


+8x30mm A	6,4 x 50mm B	 E1	 E9	6.5x48x16 F2
8	8	8	2	4
L1=680mm L1	 O	+4.0x45mm P4	+3.0x20mm P7	+4.0x35mm R3
1	1	2	10-15	4

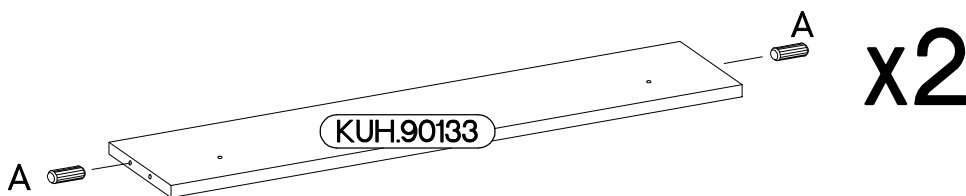
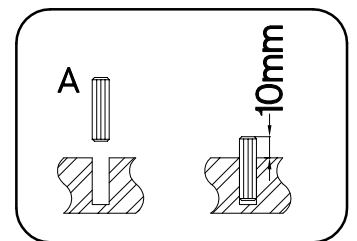


1

6.5x48x16  F2 4	+8x30mm  A 8
--	---



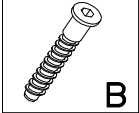
x2



x2

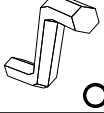
2

6,4 x 50mm



B

4



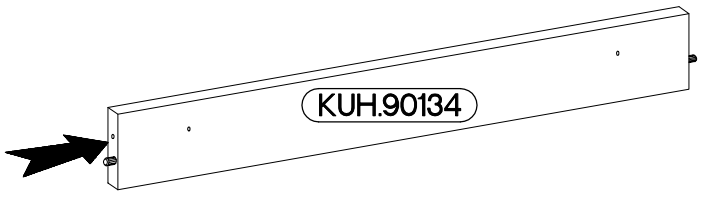
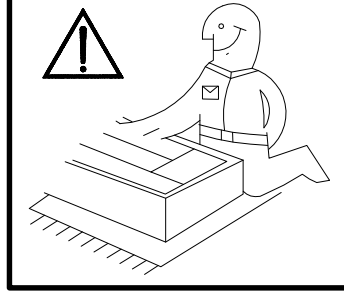
O

1

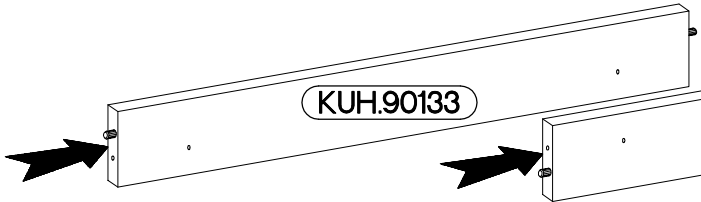


E1

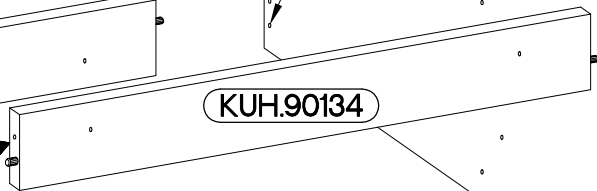
4



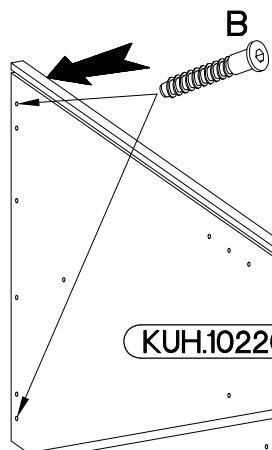
KUH.90134



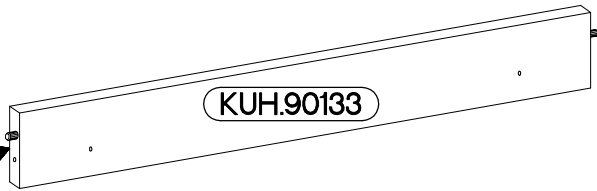
KUH.90133



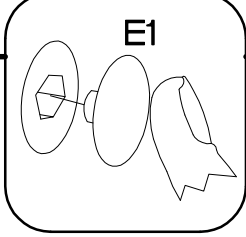
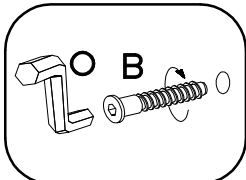
KUH.90134



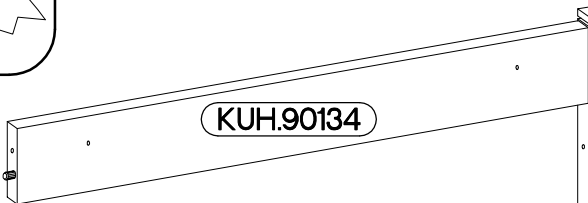
KUH.10226



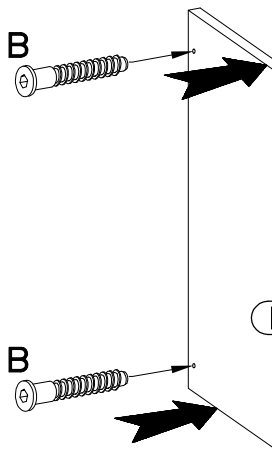
KUH.90133



3

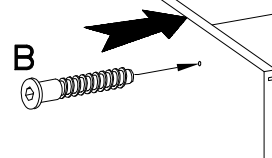


KUH.90134



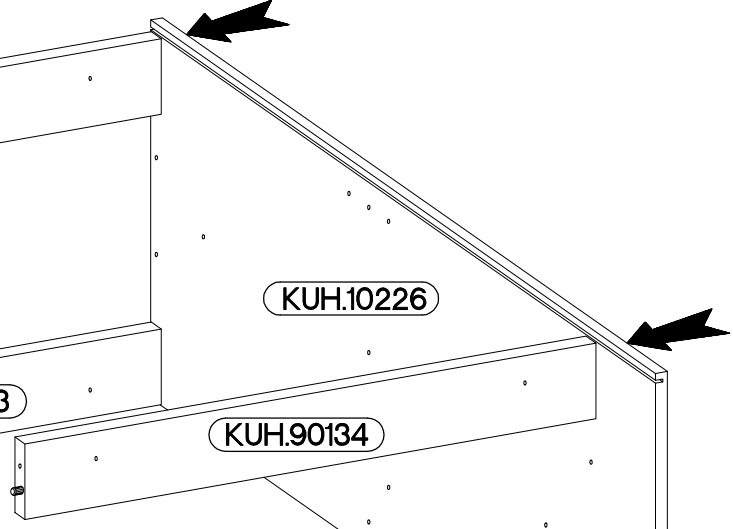
B

KUH.10225

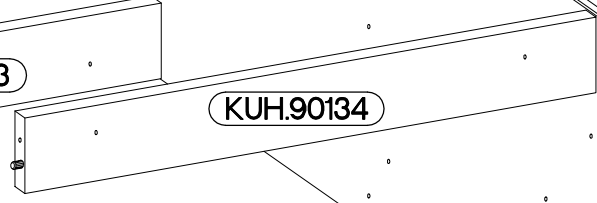


B

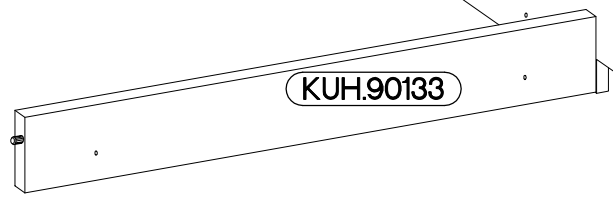
KUH.90133



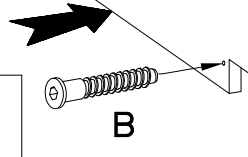
KUH.10226



KUH.90134

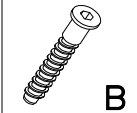


KUH.90133



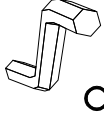
B

6,4 x 50mm



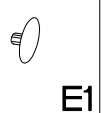
B

4



O

1

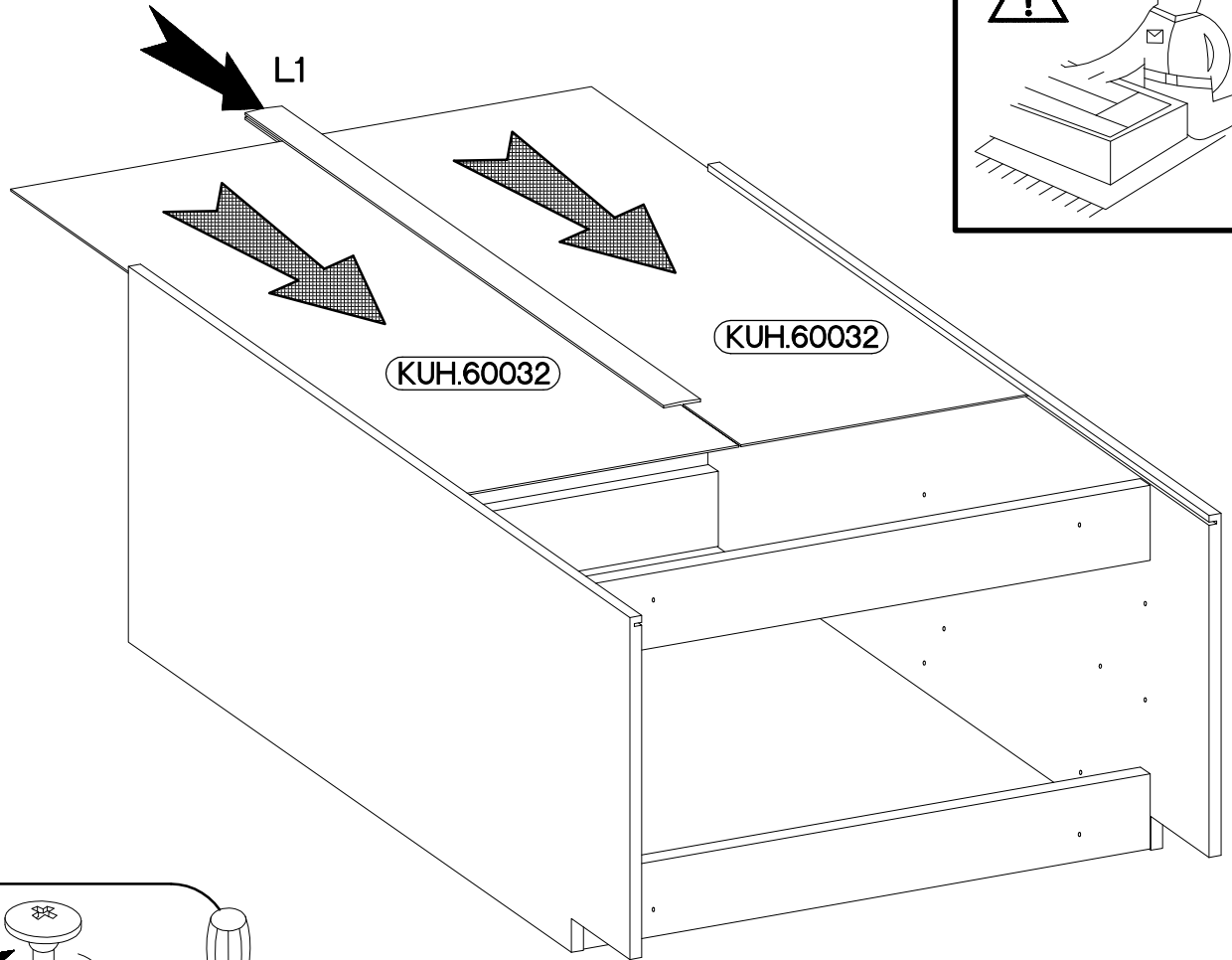
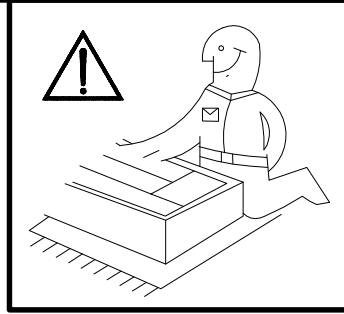
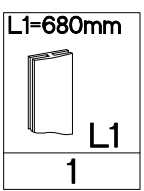


E1

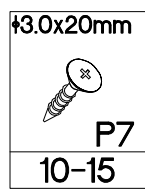
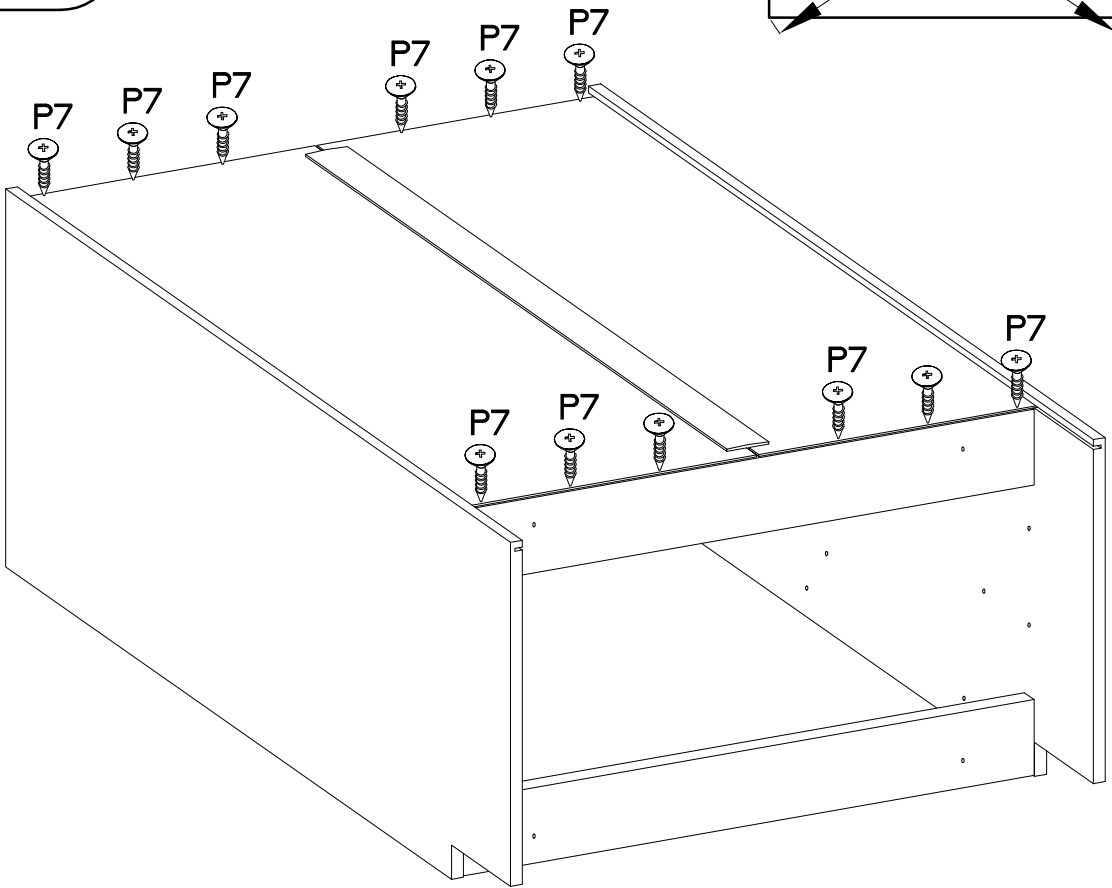
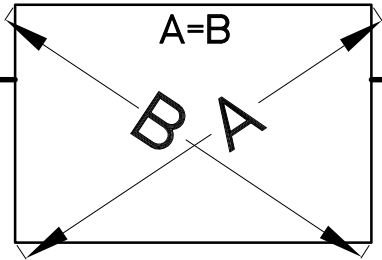
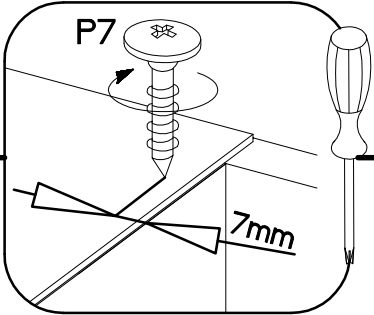
4

6,4 x 50mm

4



5



6

4.0x45mm



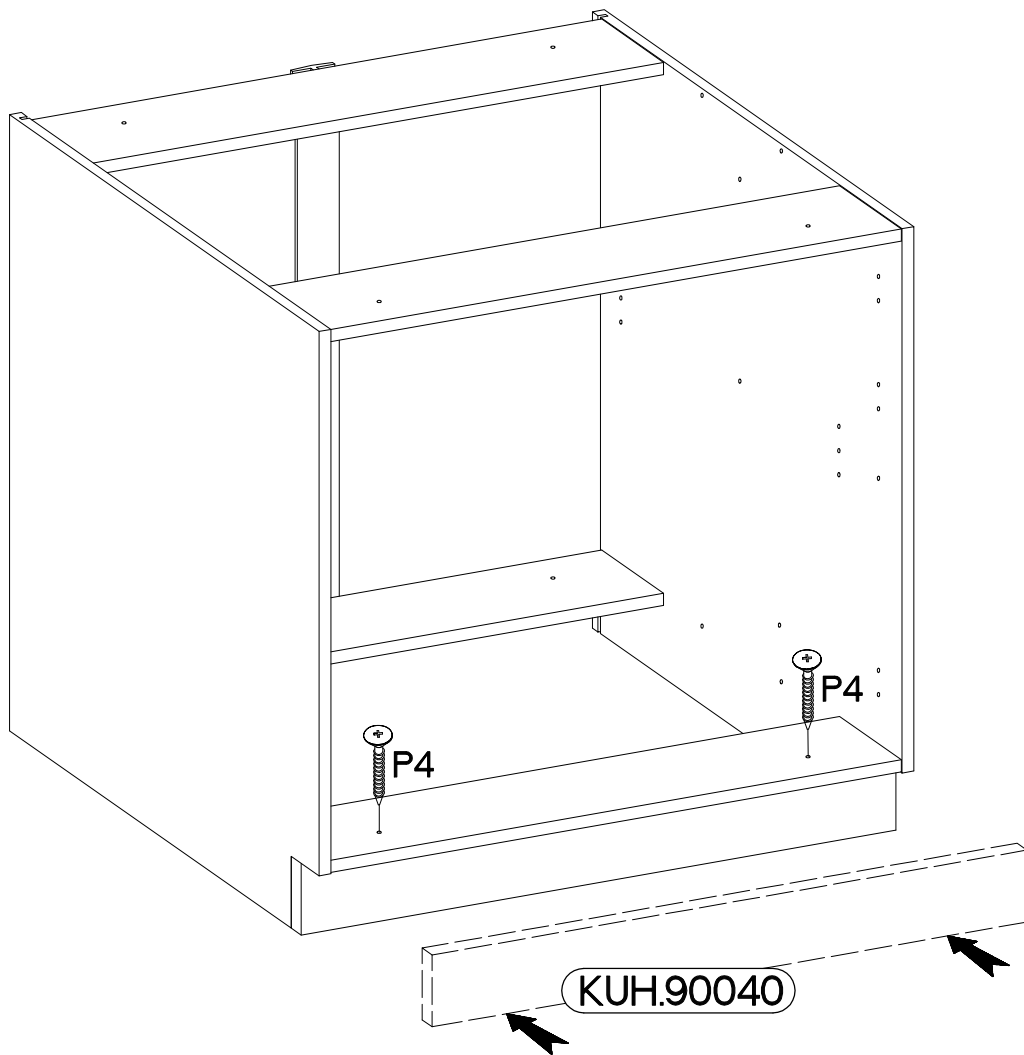
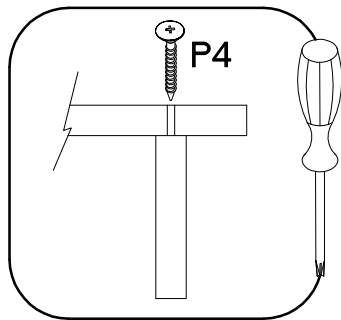
P4

2



E9

2



7

4.0x35mm



R3

4

