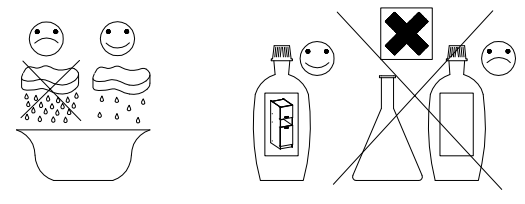
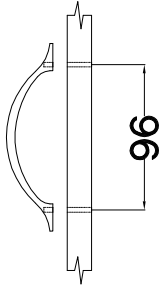
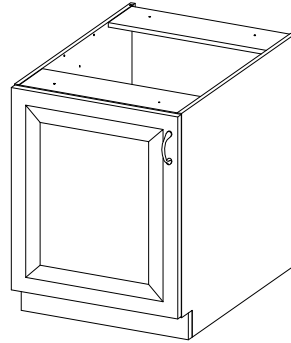
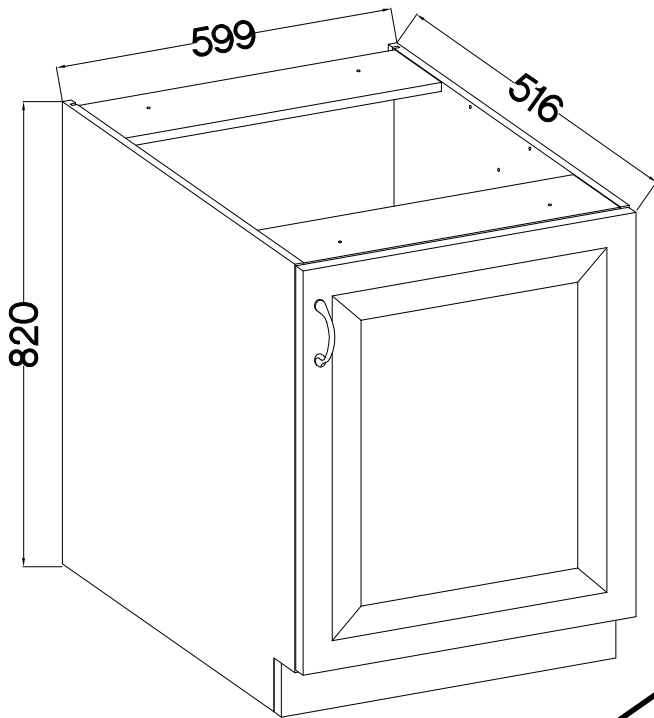


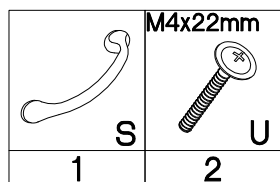
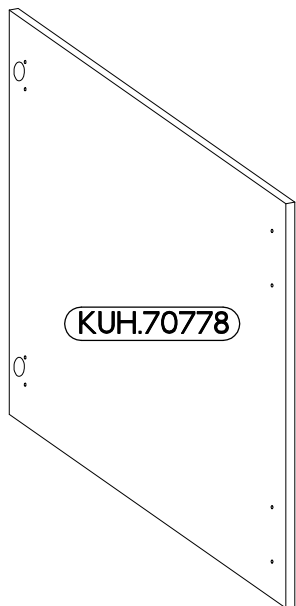
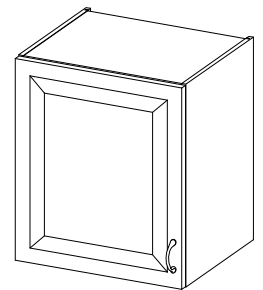
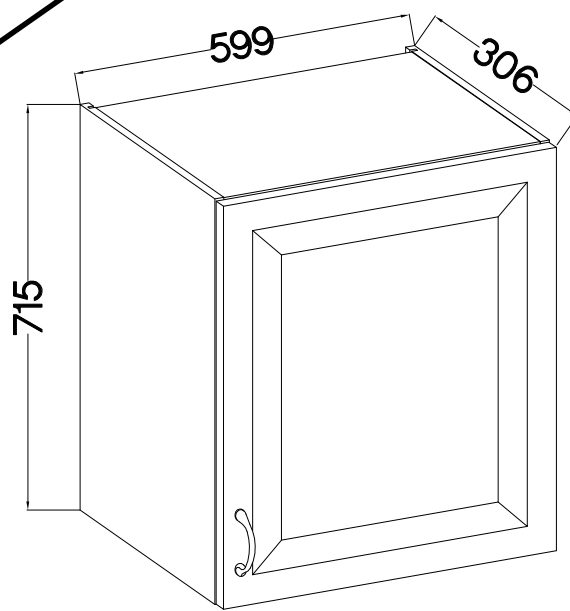
FRONT



60 D 1F BB



60 G-72 1F



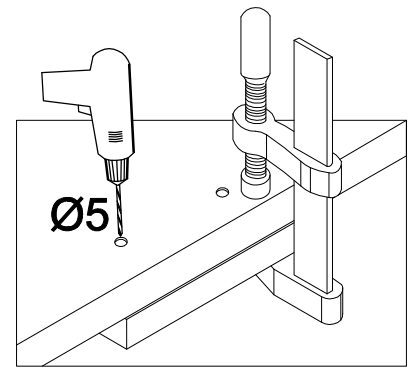
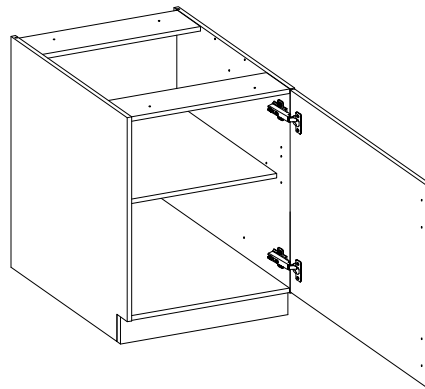
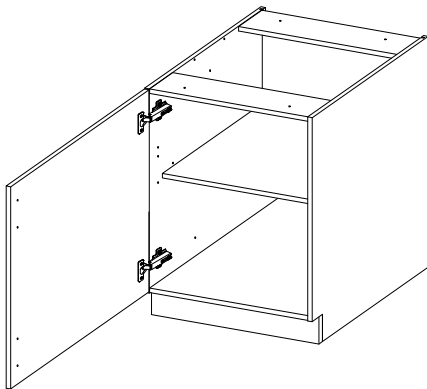
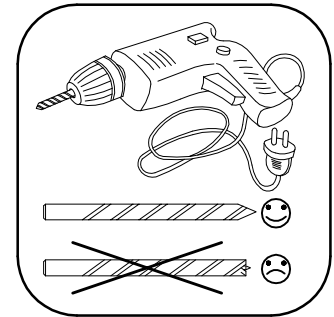
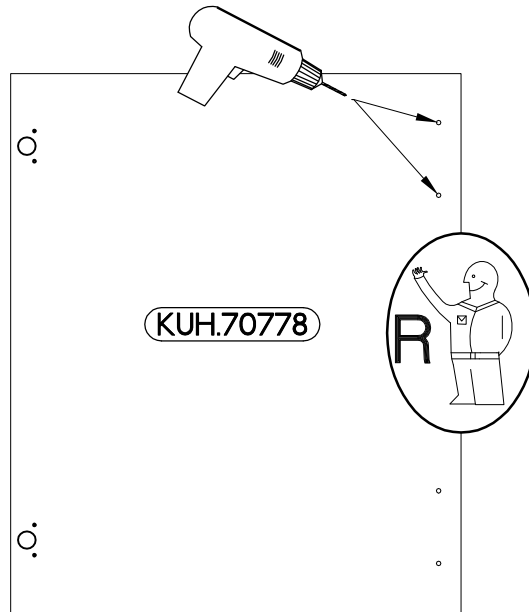
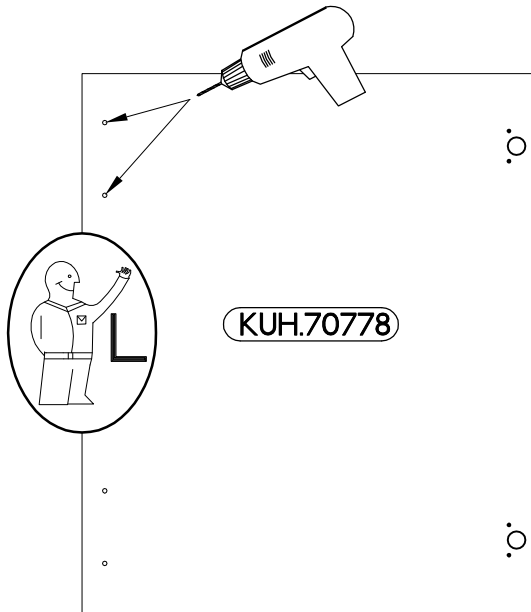
ISM-KUH-01192

1

60 D 1F BB

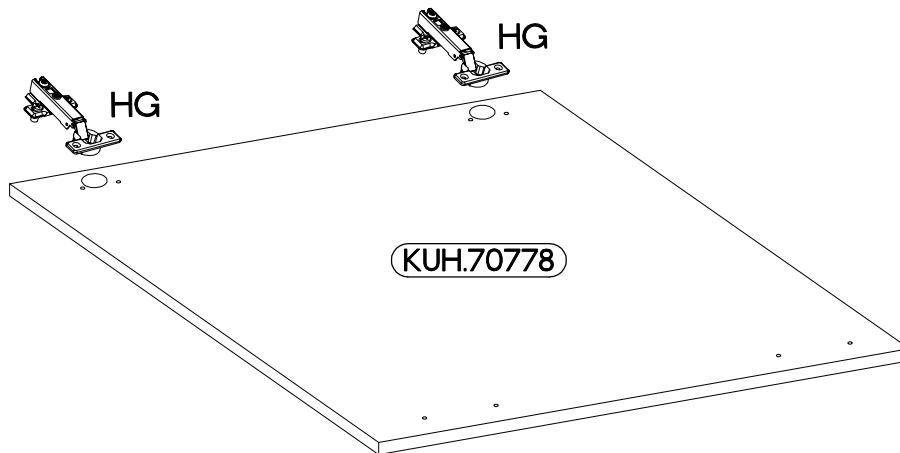
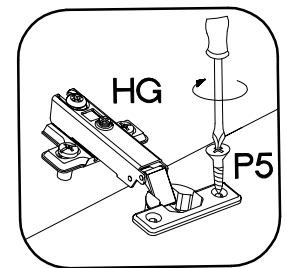
LEFT

RIGHT



2

| | |
|---------|-----------|
| ±35/0mm | ±3.5x13mm |
| | |
| HG | P5 |
| 2 | 4 |



M4x22mm



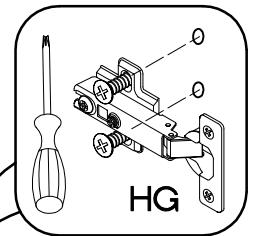
U

2

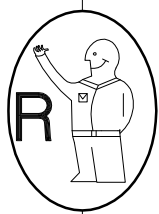


S

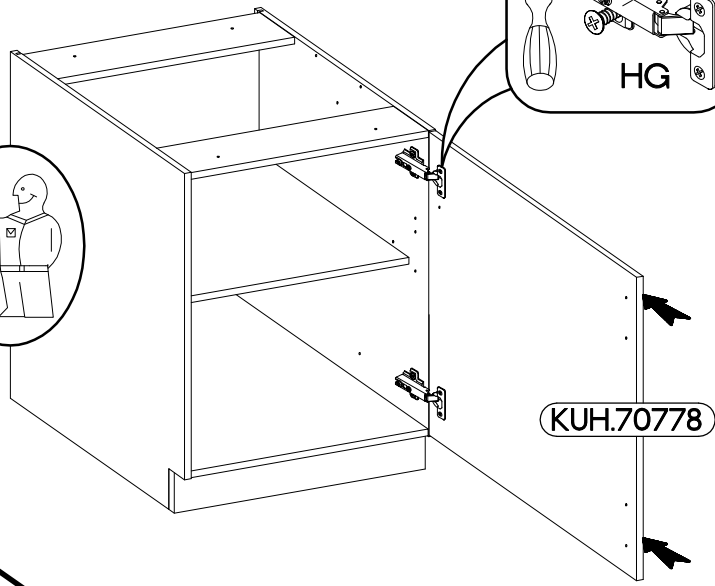
1



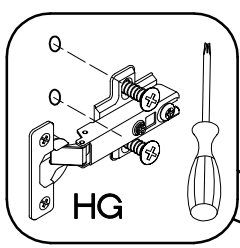
HG



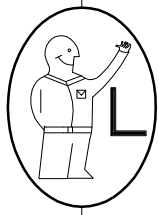
R



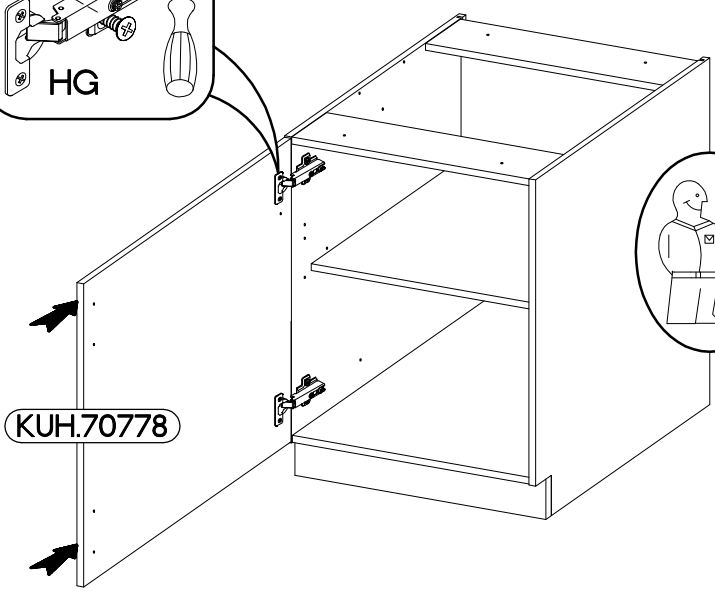
KUH.70778



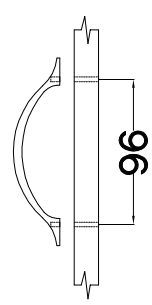
HG



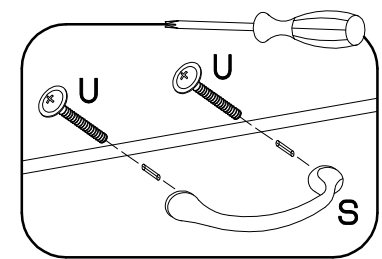
L



KUH.70778

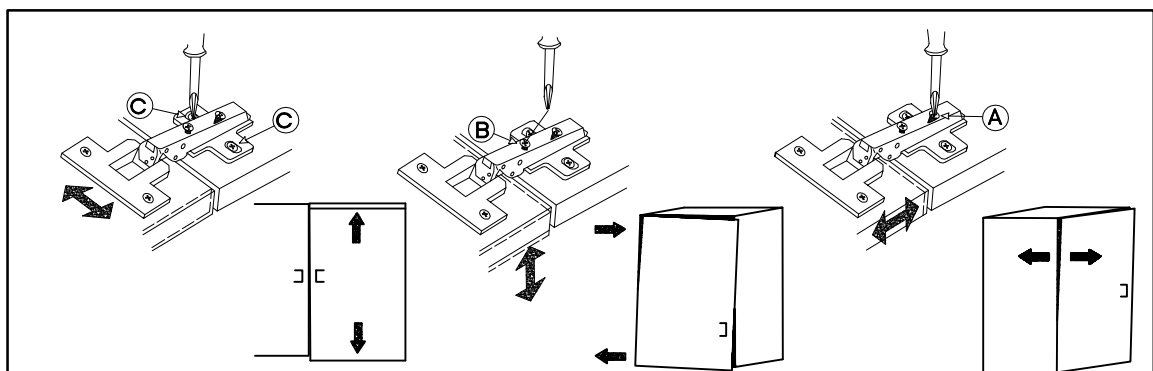


96

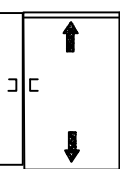


U

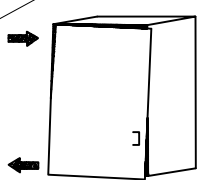
S



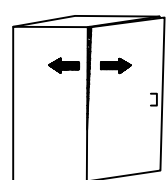
C



B



A

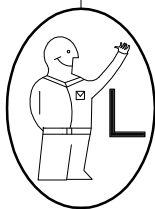
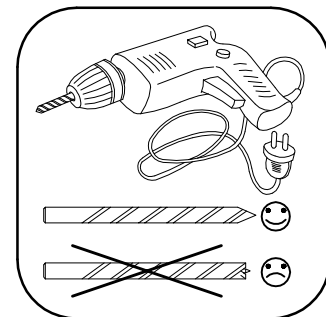


4

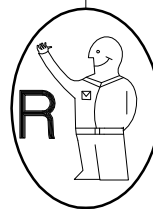
60 G-72 1F

LEFT

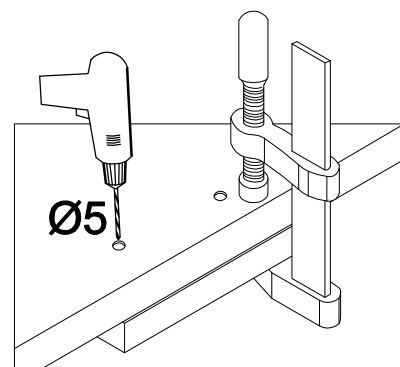
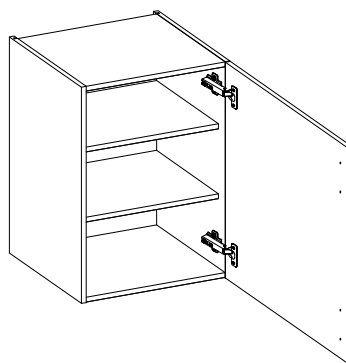
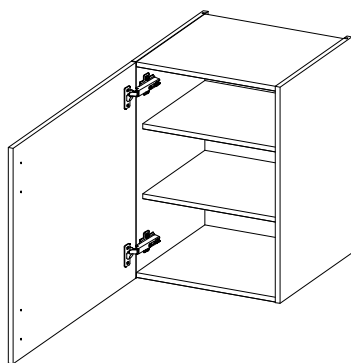
RIGHT





KUH.70778

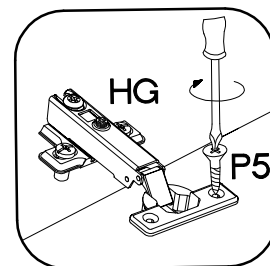
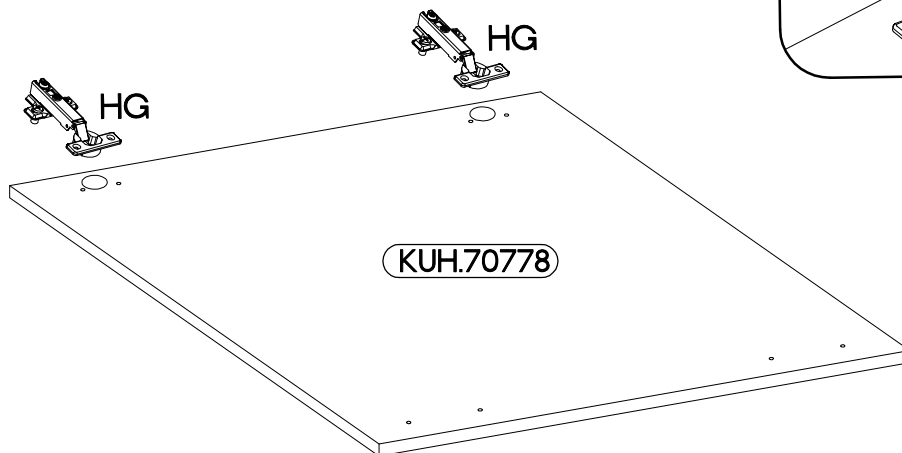


KUH.70778



5

| | |
|--|--|
|  HG 2 |  P5 4 |
|--|--|



6

M4x22mm



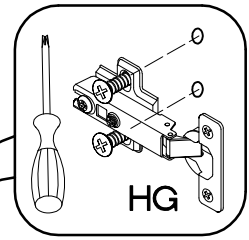
U

2

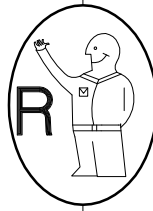


S

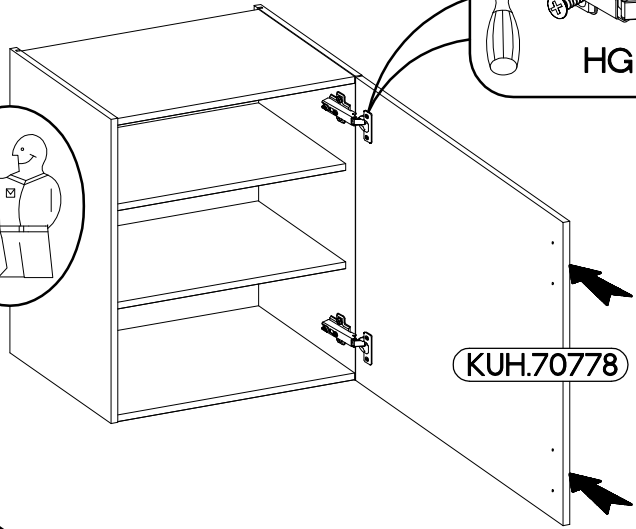
1



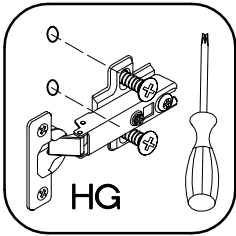
HG



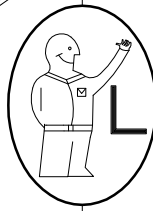
R



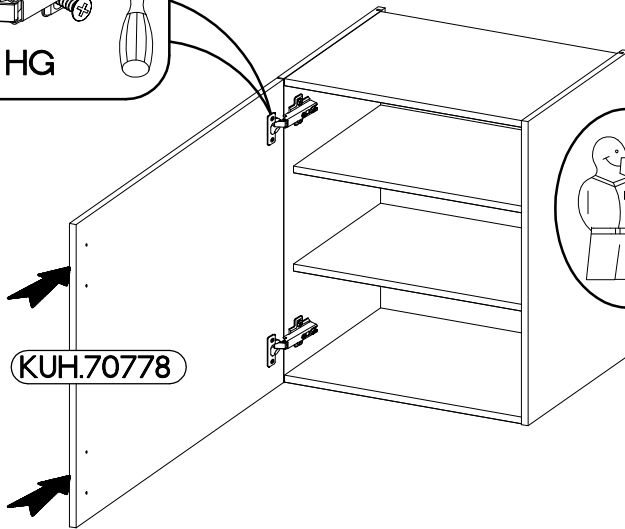
KUH.70778



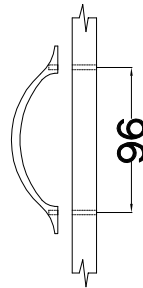
HG



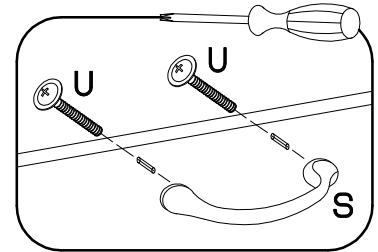
L



KUH.70778

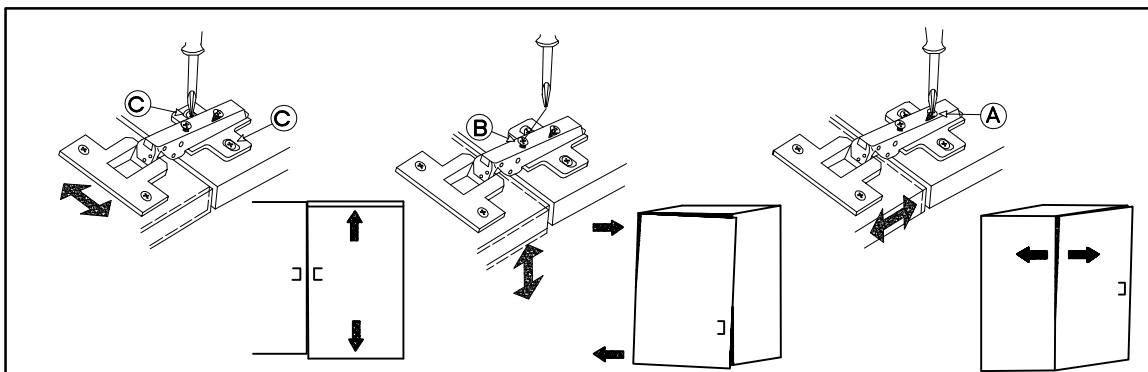


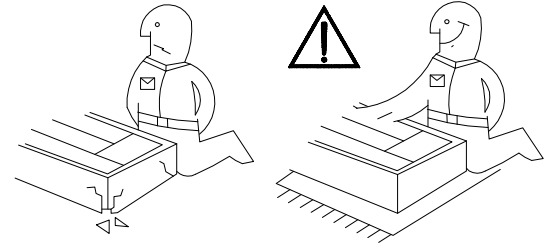
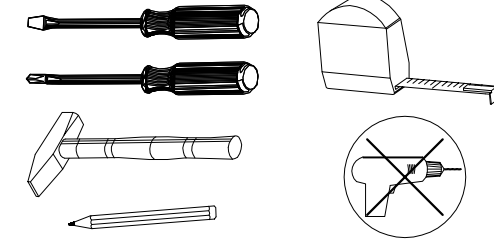
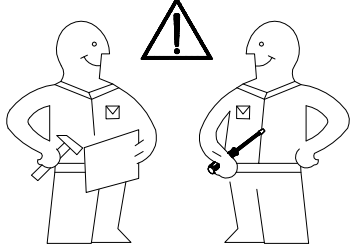
96



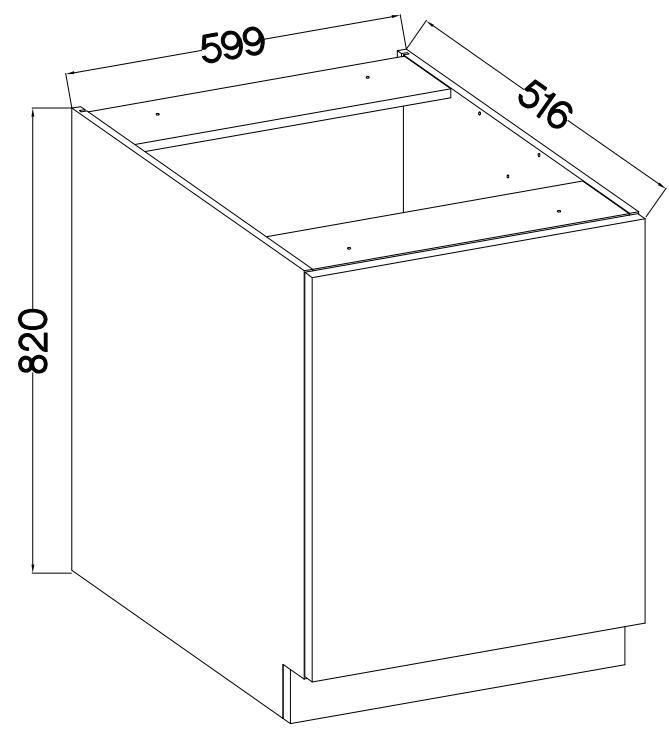
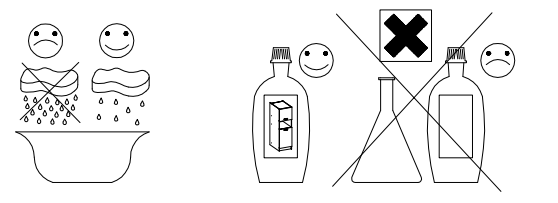
U

S

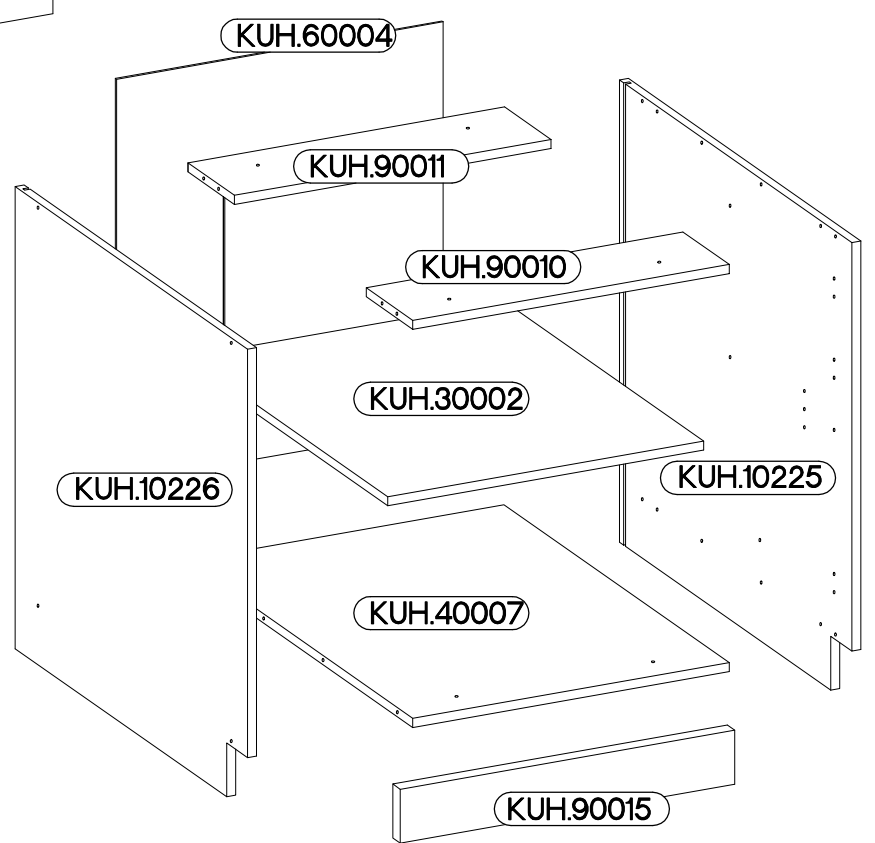
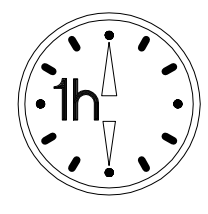


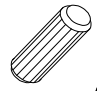













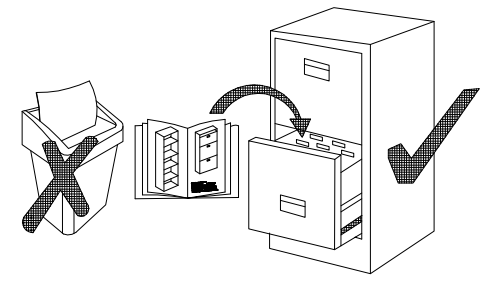
60 D 1F BB



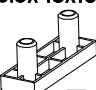
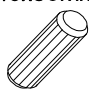
max. 10kg
 KUH.30002
 KUH.40007

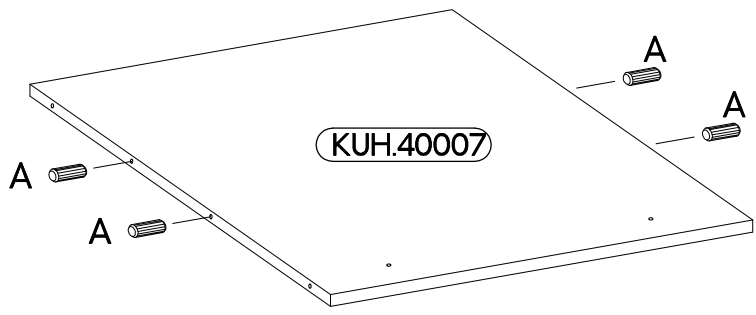
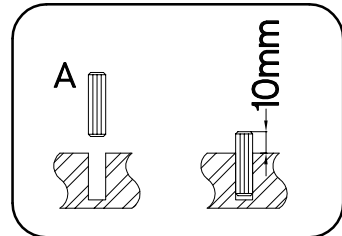
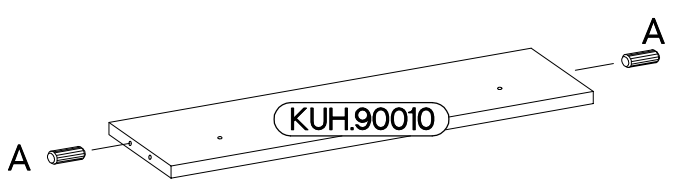
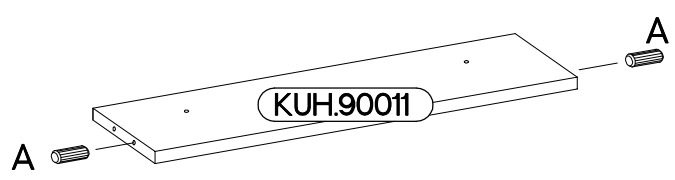
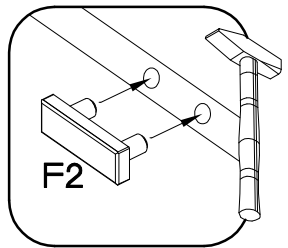
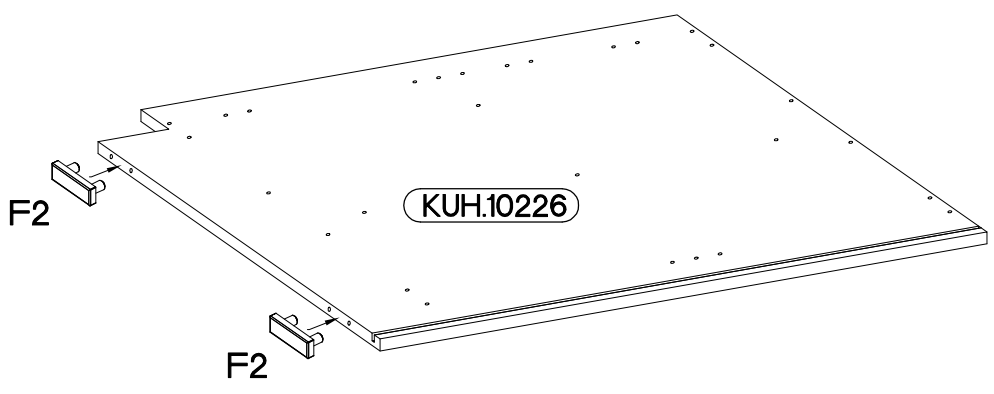
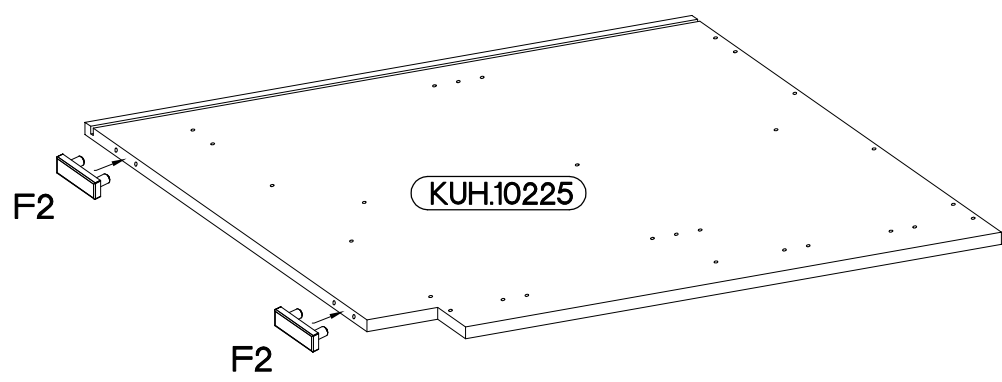
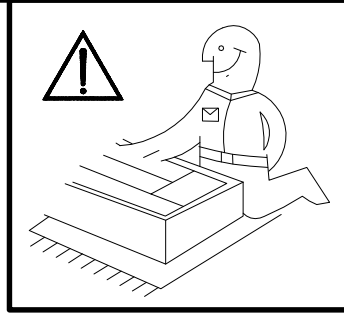


| | | | | | | | |
|--|--|---|---|---|---|---|--|
|  A |  B |  E1 |  E9 |  F2 | | | |
| 8 | 8 | 8 | 2 | 4 | | | |
|  HG |  J |  O |  P4 |  P5 |  P7 |  R3 | |
| 2 | 4 | 1 | 2 | 4 | 8-10 | 4 | |

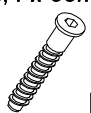
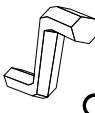



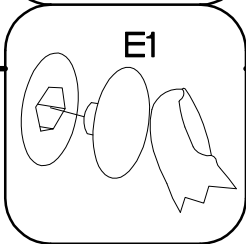
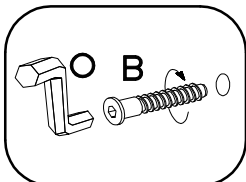
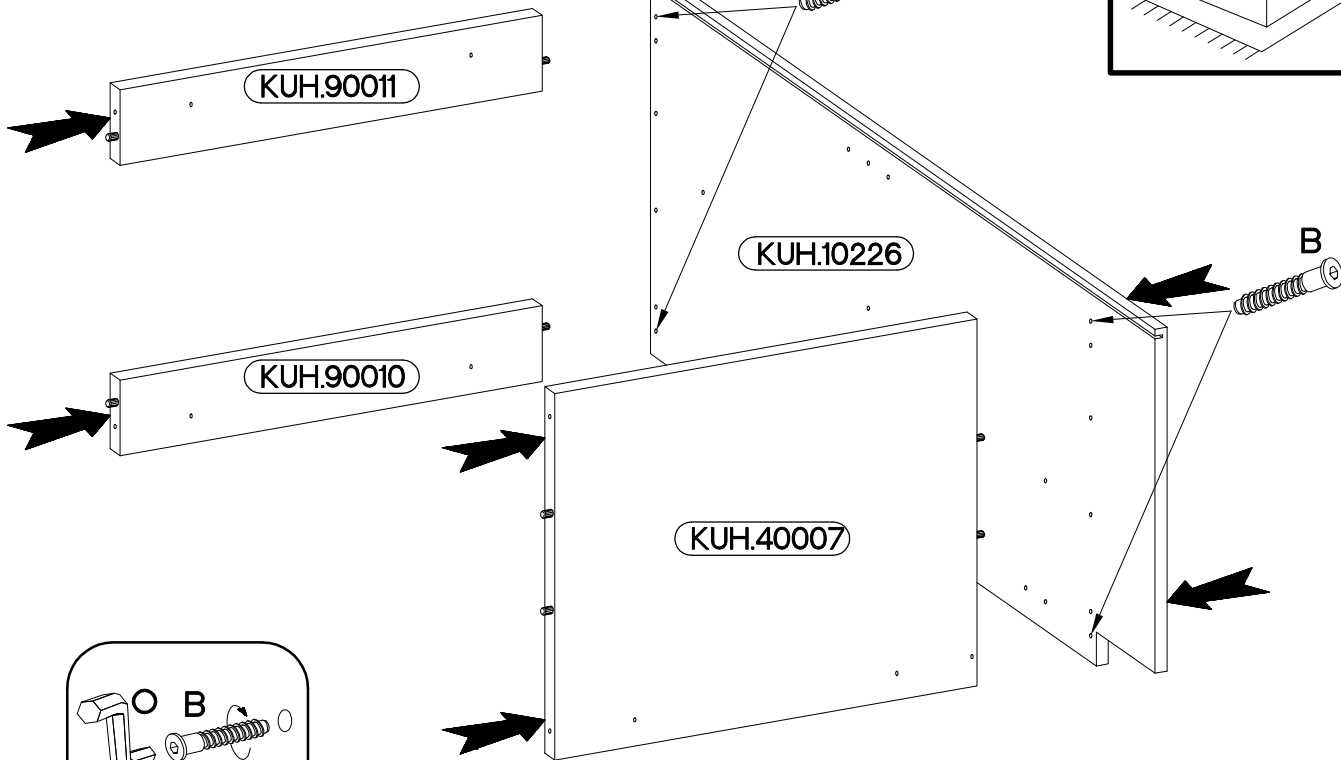
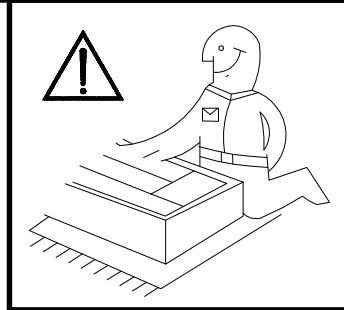
ISM-KUH-01127

| | |
|--|---|
| 6.5x48x16  F2 4 | +8x30mm  A 8 |
|--|---|

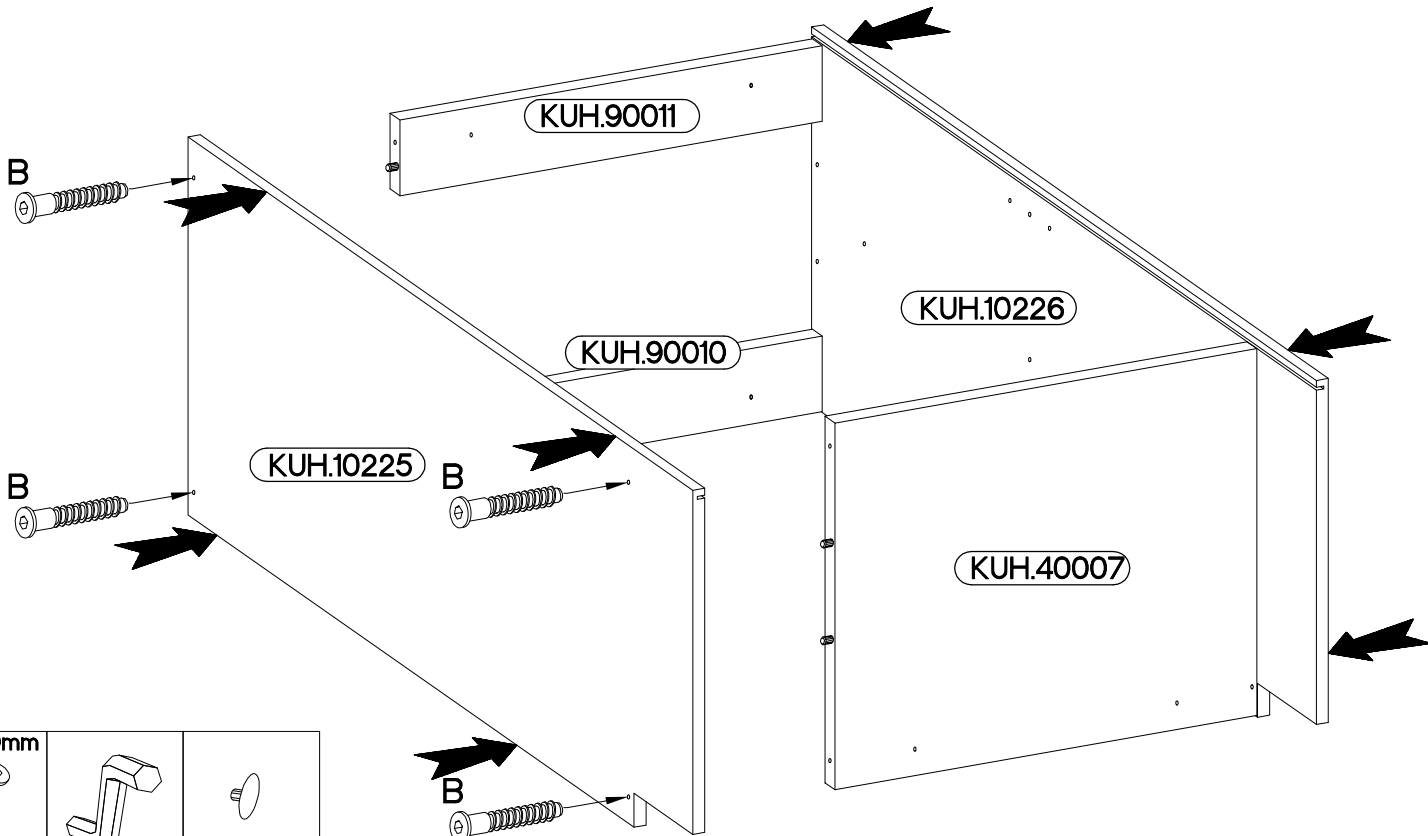


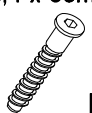
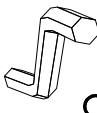

2

| | | |
|--|--|--|
| 6,4 x 50mm | | |
|  |  |  |
| B | O | E1 |
| 4 | 1 | 4 |



3



| | | |
|--|---|---|
| 6,4 x 50mm | | |
|  |  |  |
| B | O | E1 |
| 4 | 1 | 4 |

6

4.0x45mm



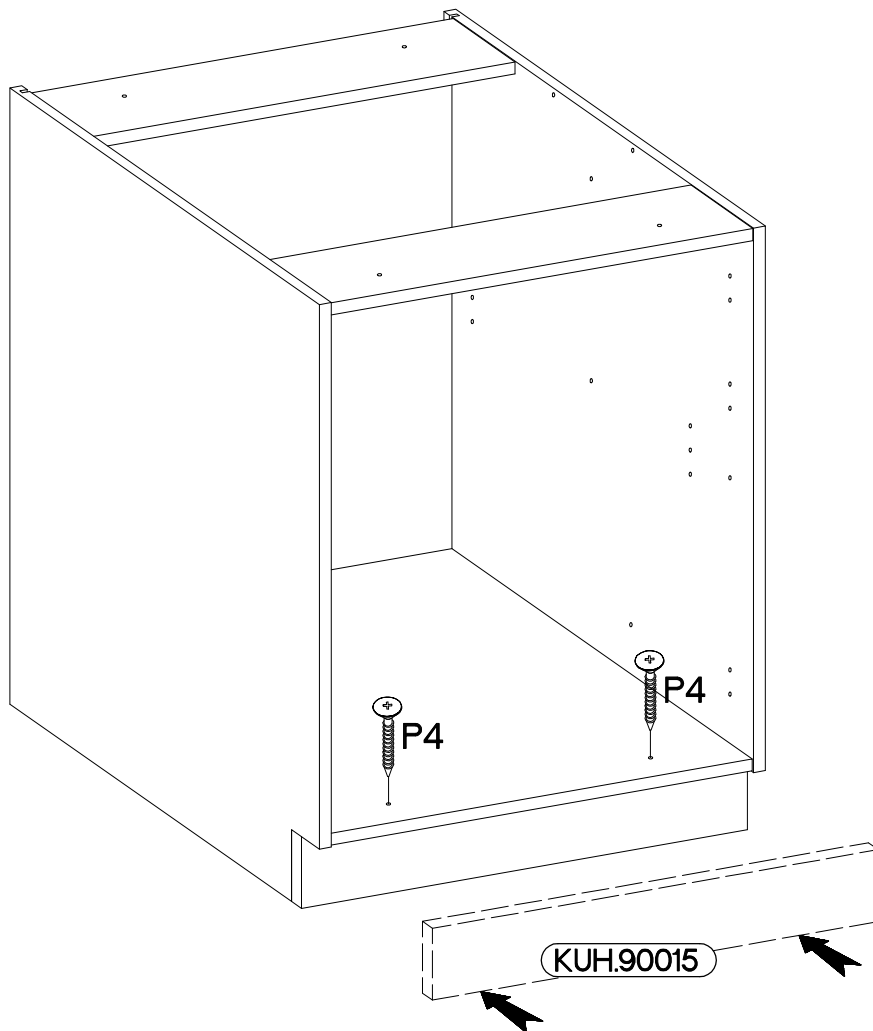
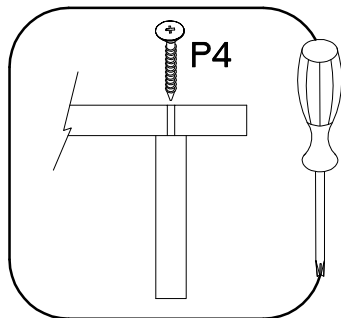
P4

2



E9

2



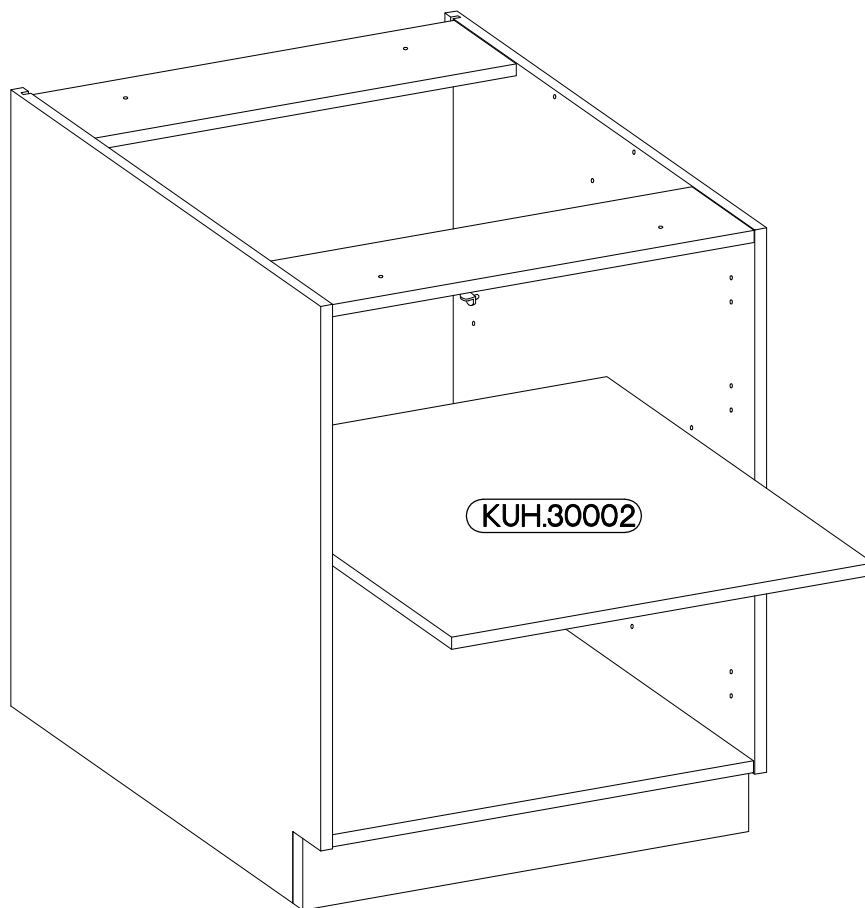
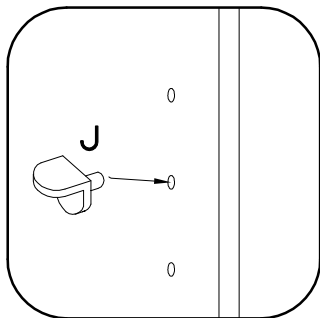
7

15/19mm



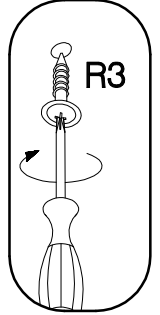
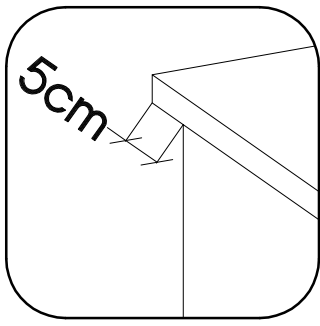
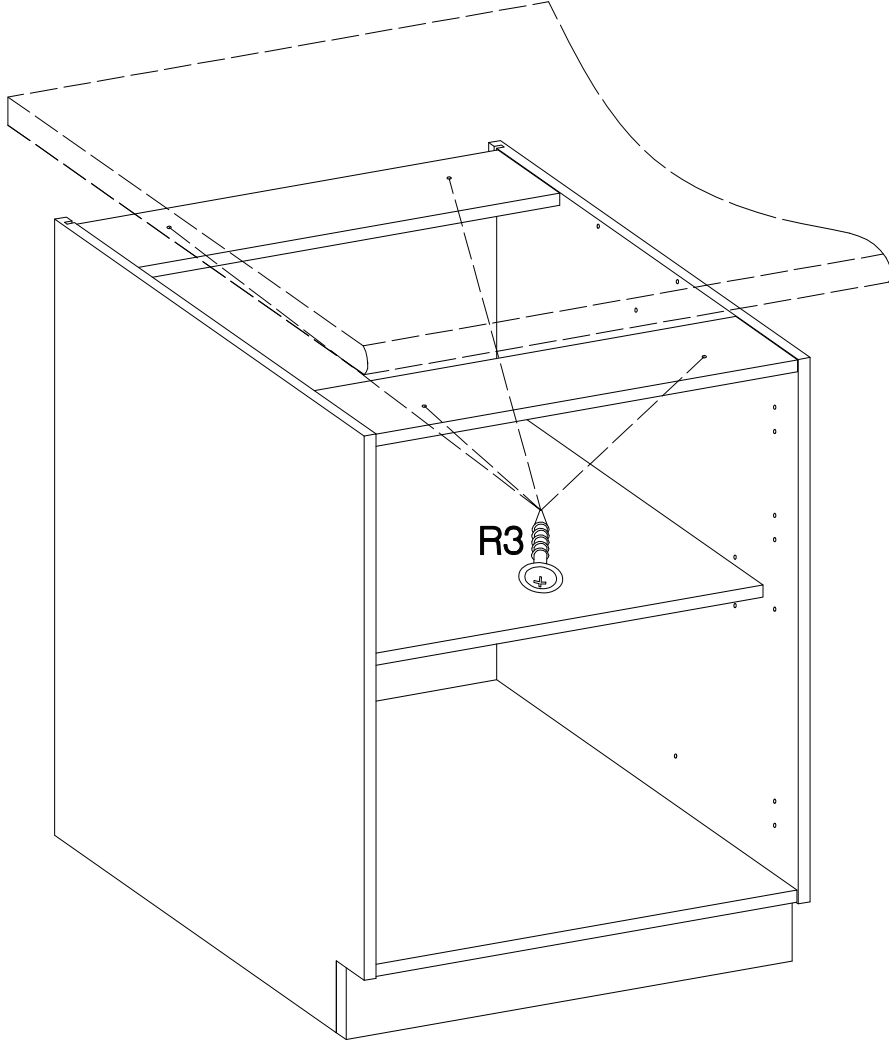

J

4



8

4.0x35mm
R3
4



9

FRONT

