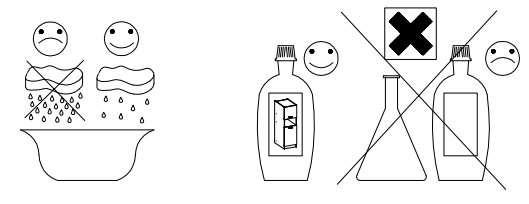
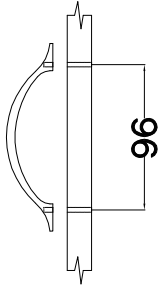
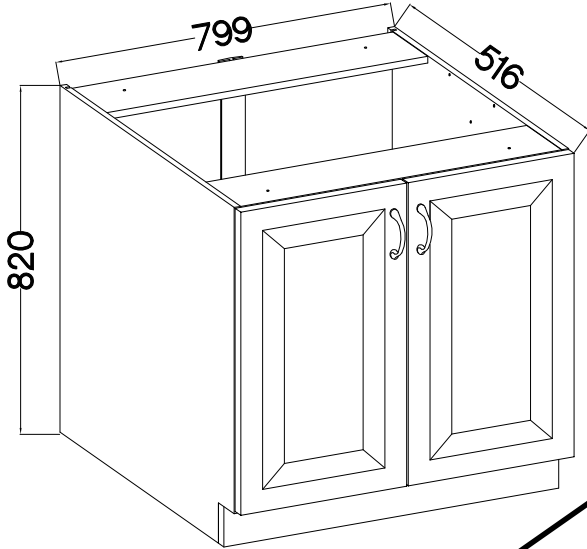


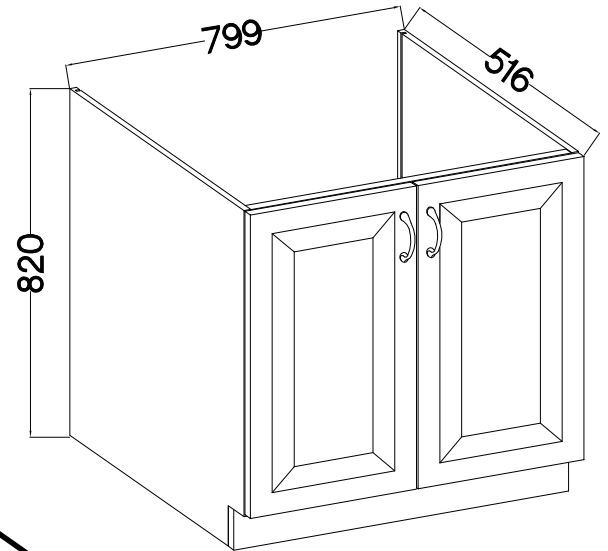
FRONT



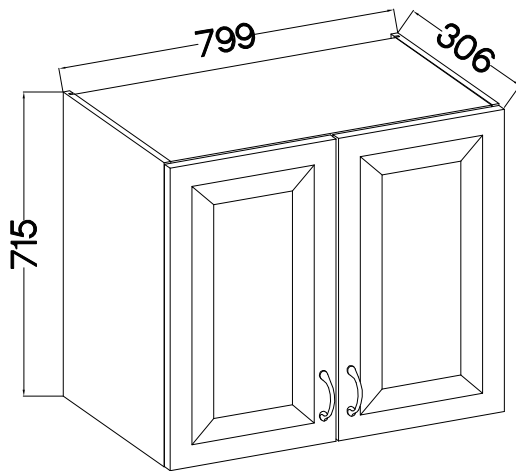
80 D 2F BB



80 ZL 2F BB

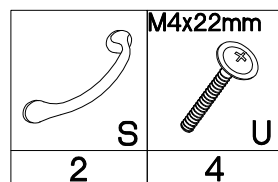


80 G-72 2F



KUH.70769

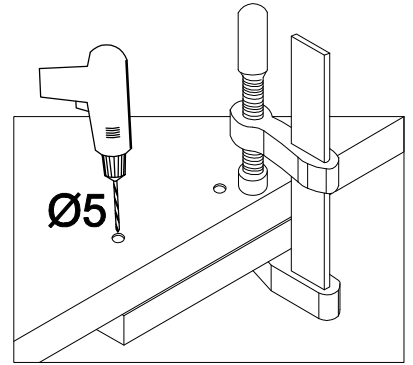
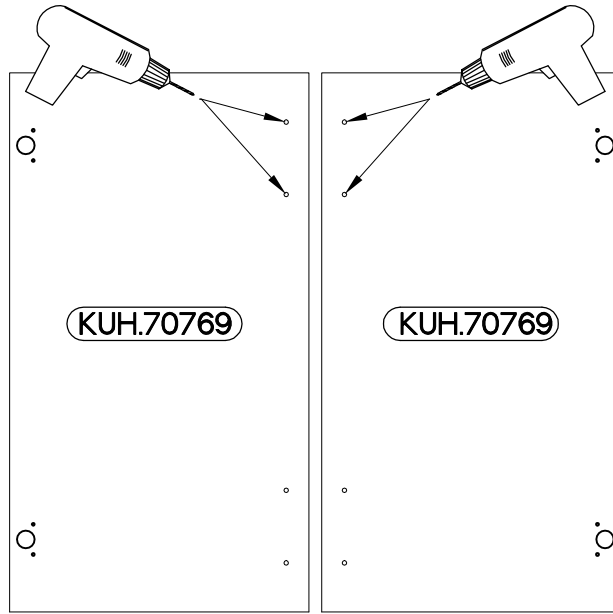
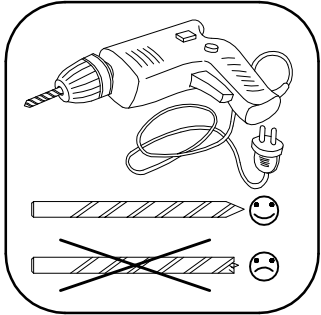
KUH.70769



ISM-KUH-01203

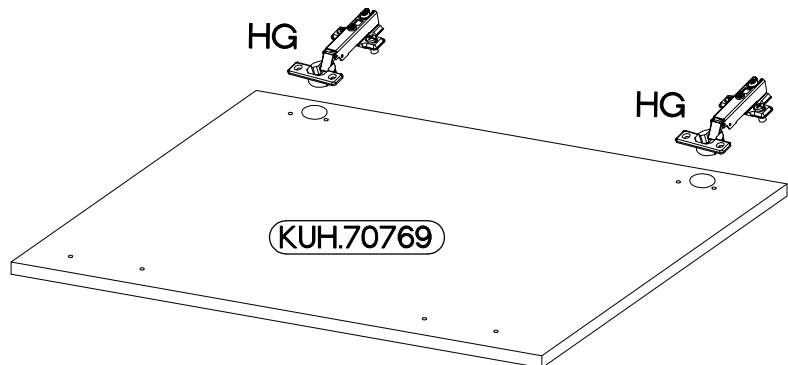
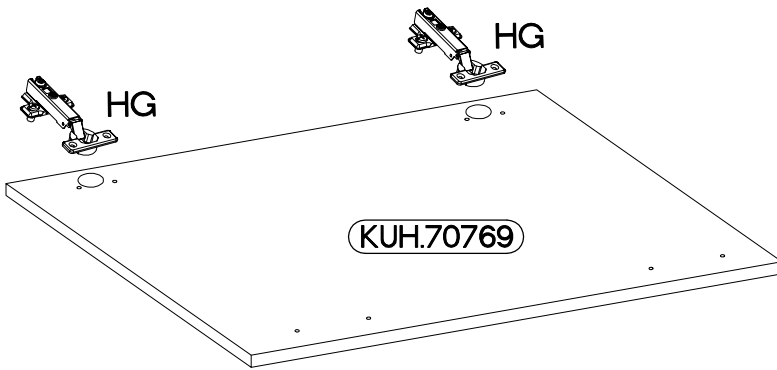
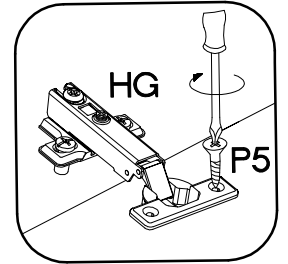
1

80 D 2F BB



2

| | |
|--------------------|----------------------|
| +35/0mm HG 4 | +3.5x13mm P5 8 |
|--------------------|----------------------|



3

M4x22mm



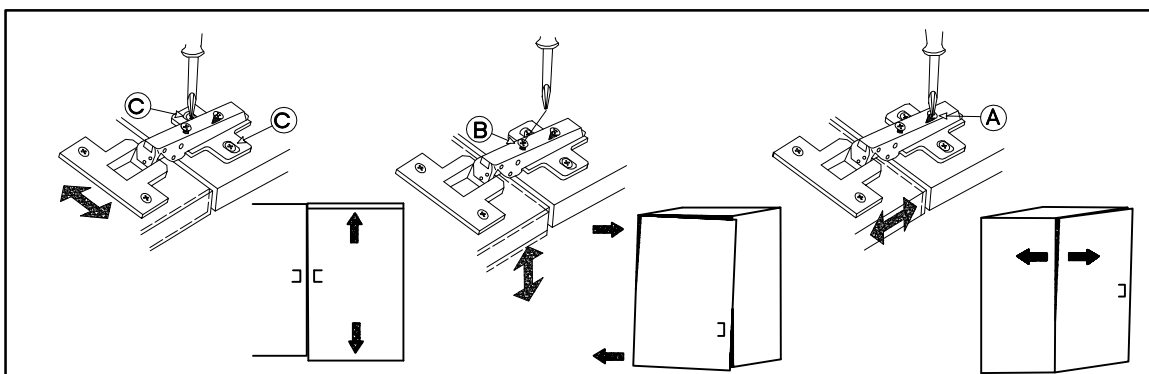
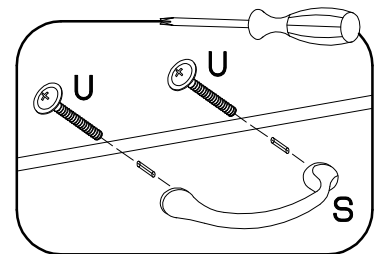
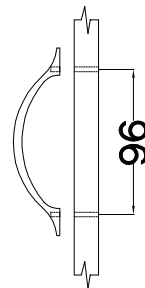
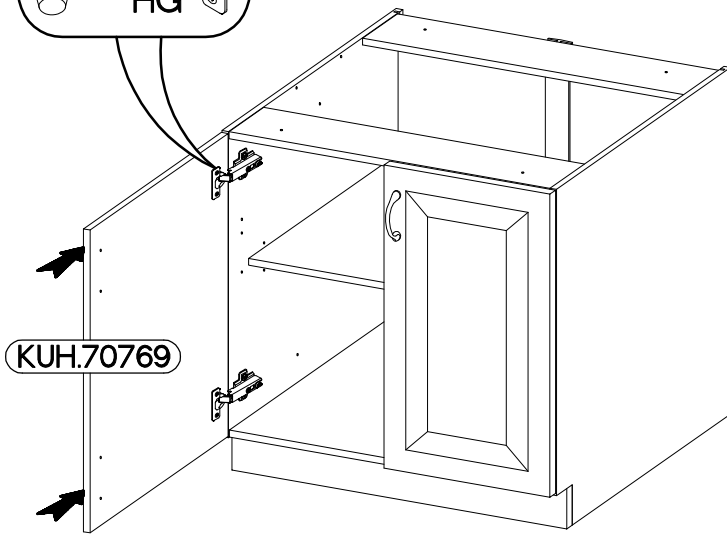
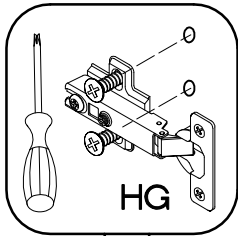
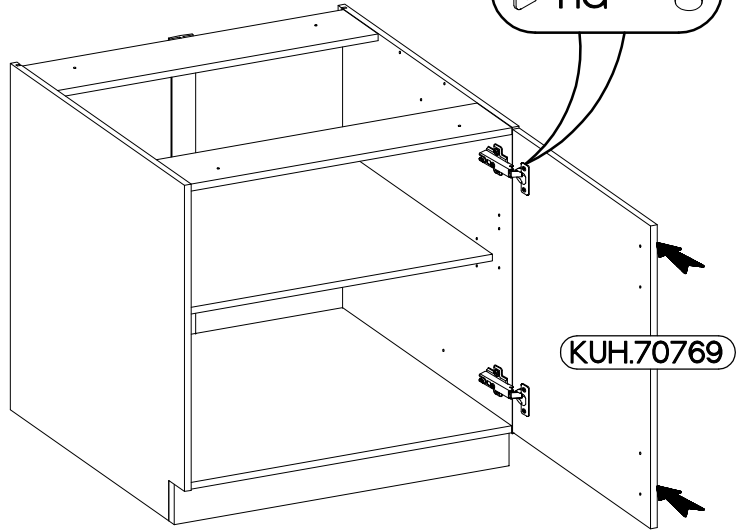
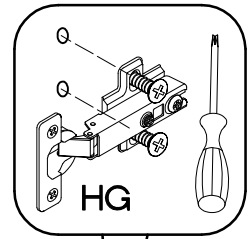
U

4



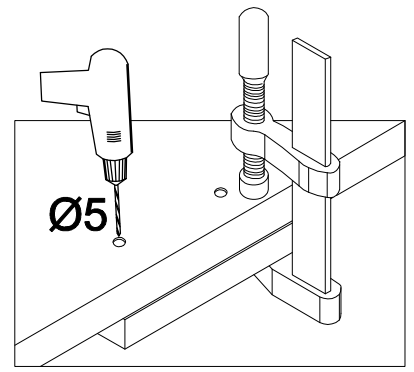
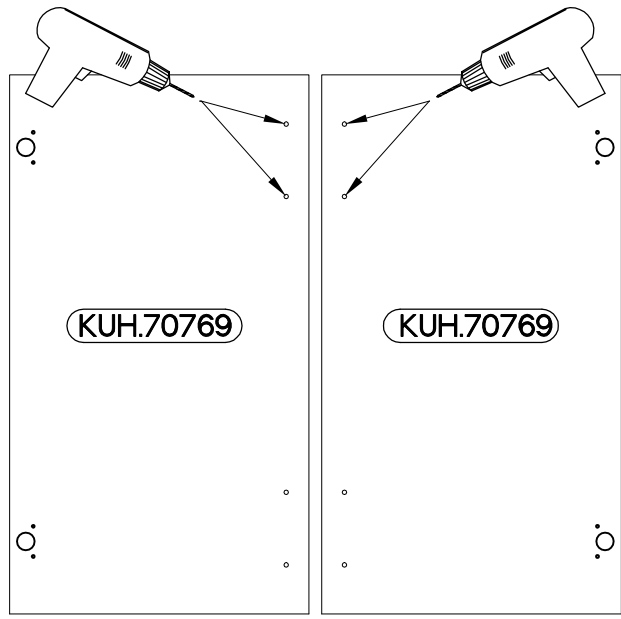
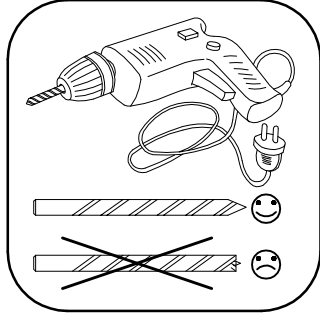
S

2





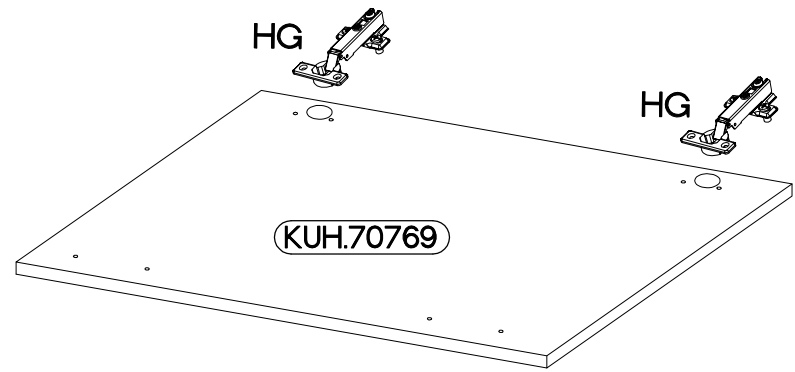
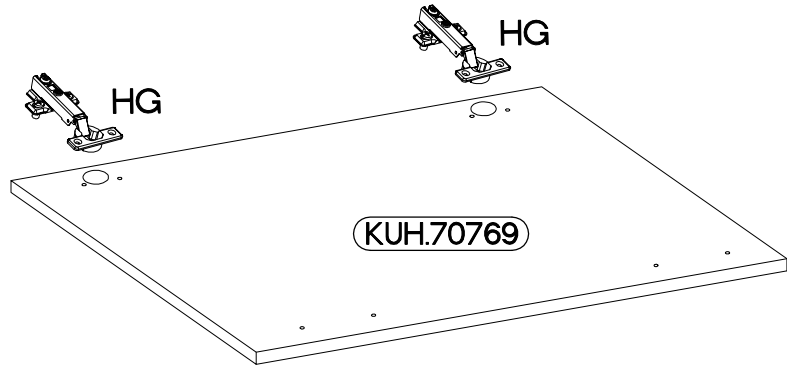
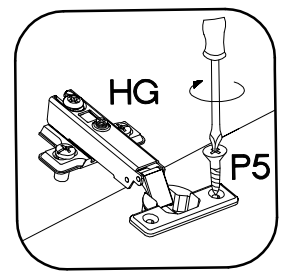
4

80 ZL 2F BB



5

| | |
|---|---|
|  HG 4 |  P5 8 |
|---|---|



M4x22mm



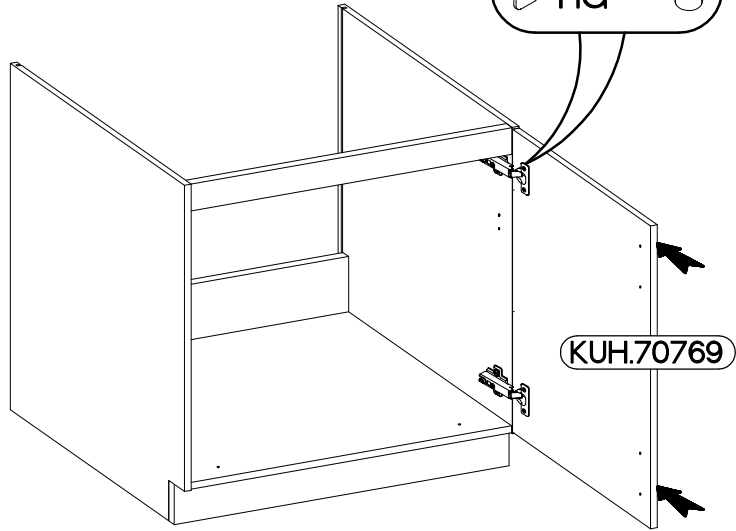
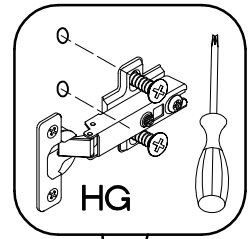
U

4

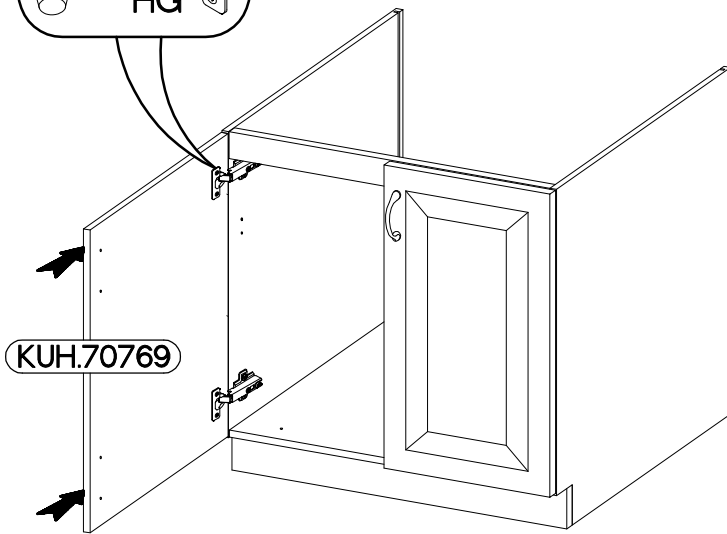
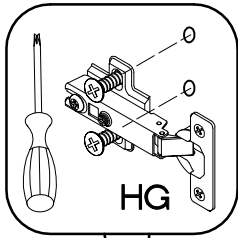


S

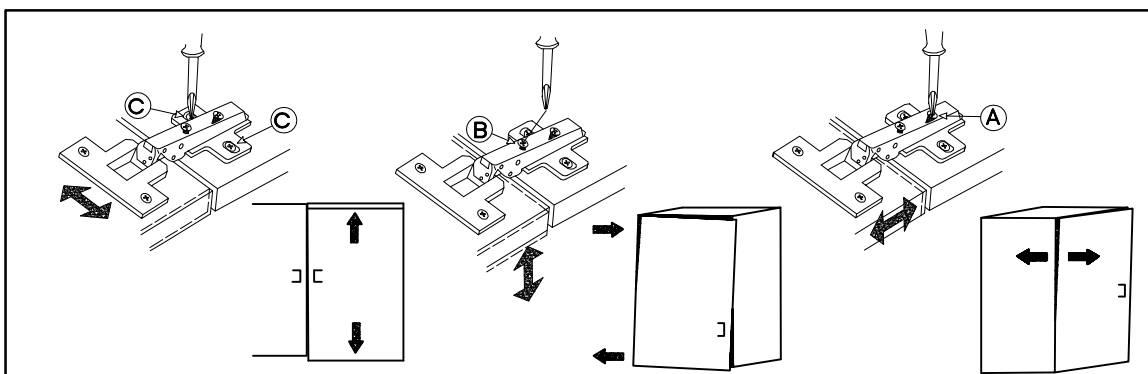
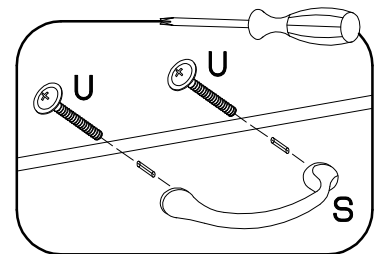
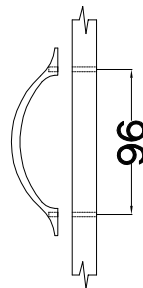
2



KUH.70769

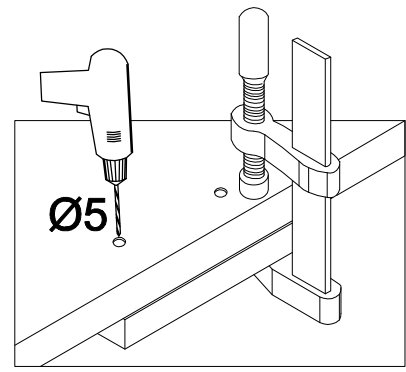
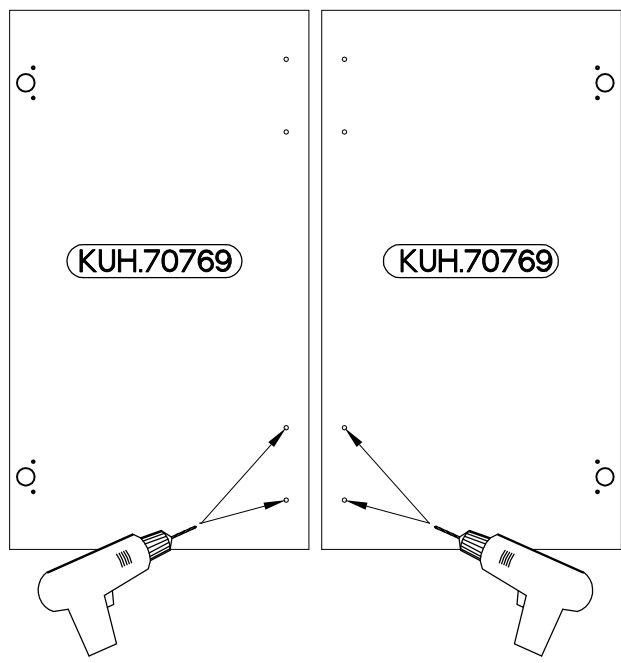
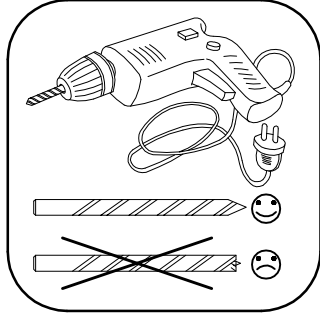


KUH.70769





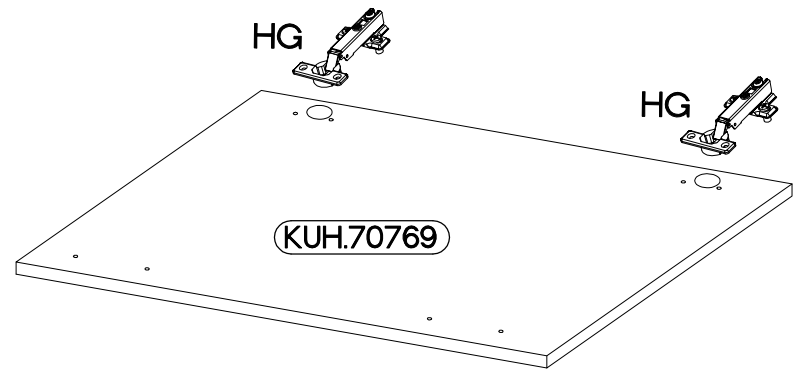
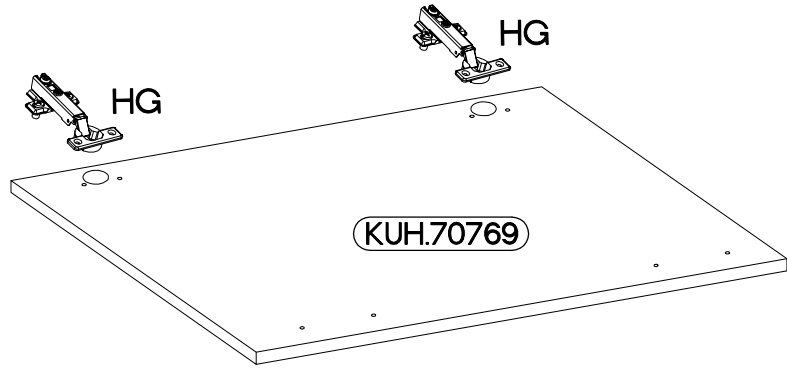
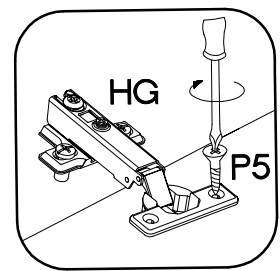
7



80 G-72 2F

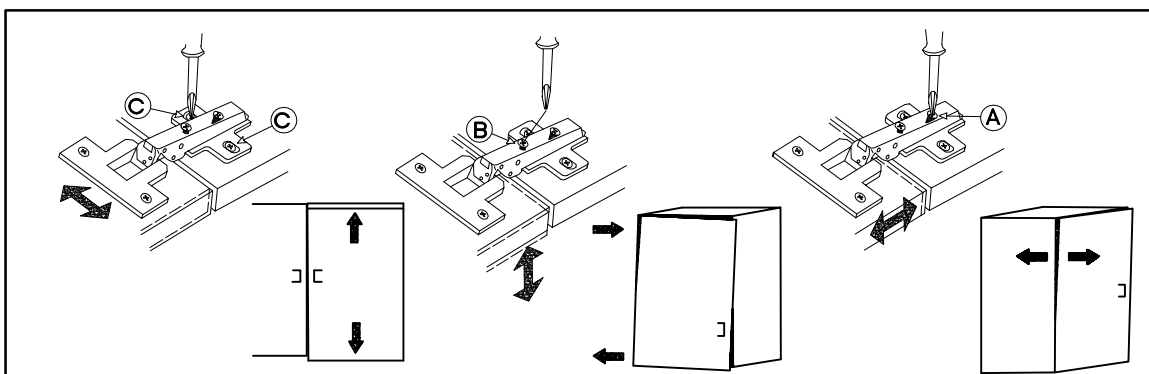
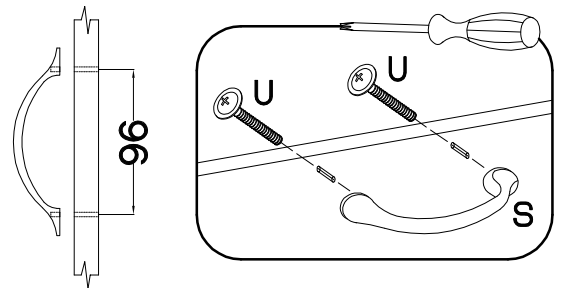
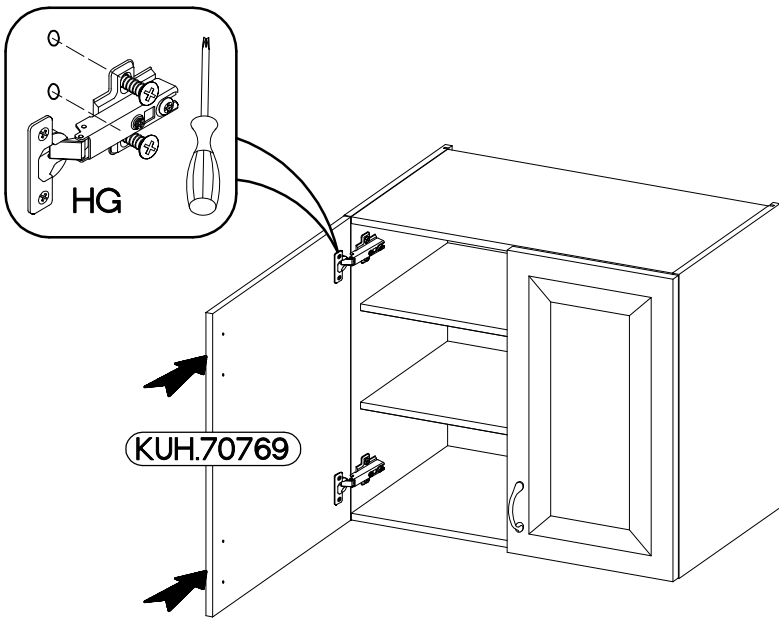
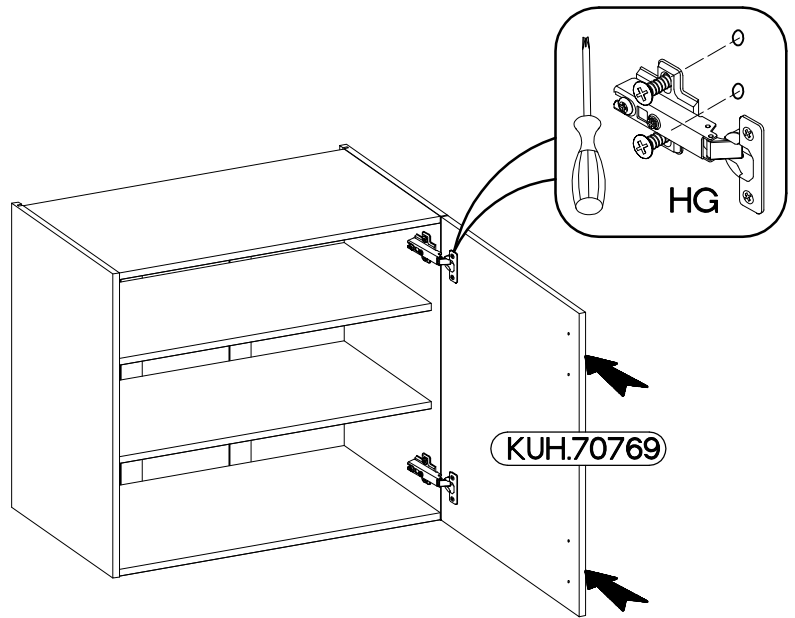


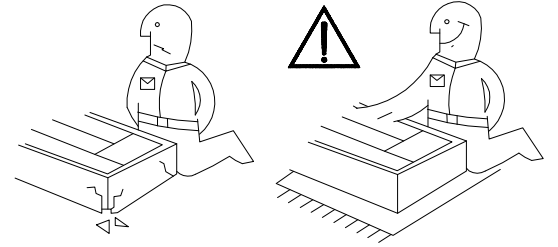
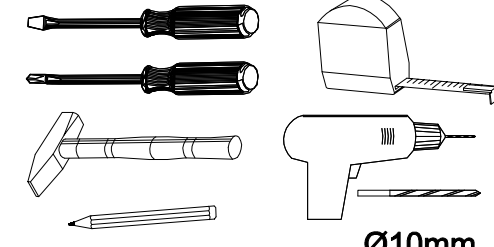
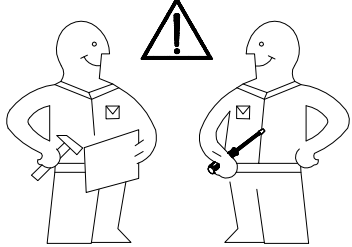
8

| | |
|---|---|
|  +35/0mm HG 4 |  +3.5x13mm P5 8 |
|---|---|

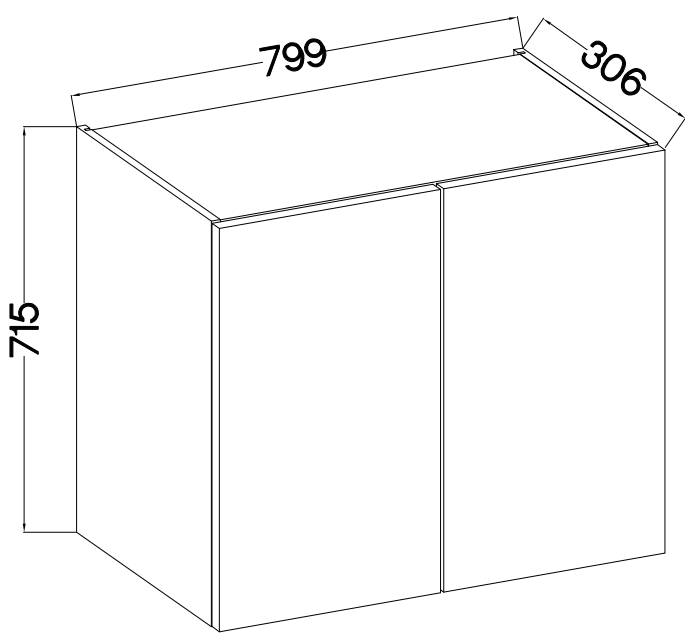
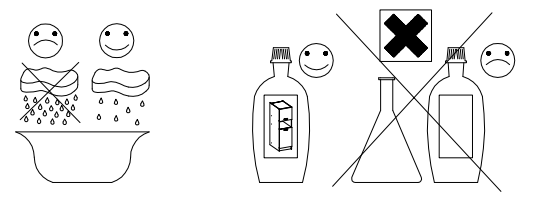


| | | |
|---------|--|--|
| M4x22mm |  |  |
| | U | S |
| 4 | | 2 |

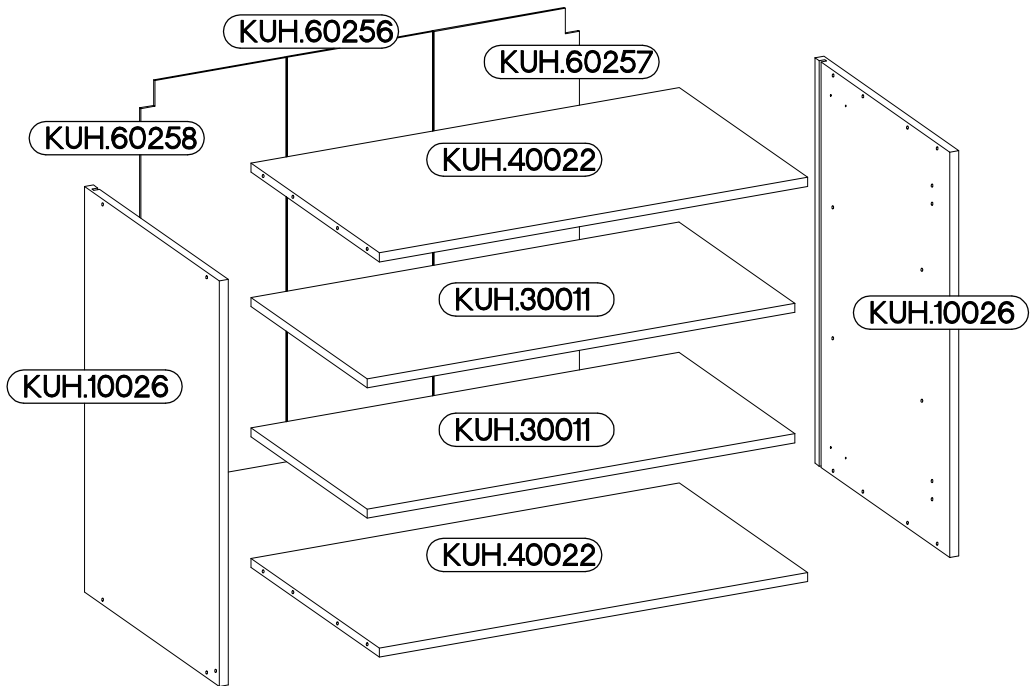
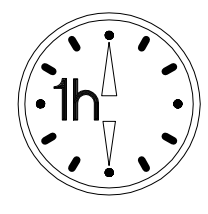




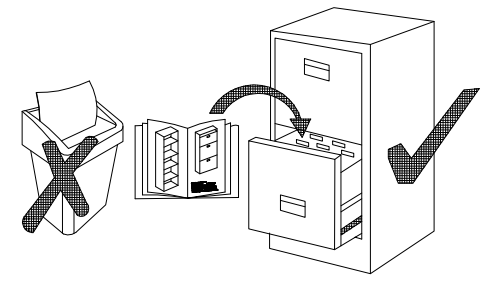
Ø10mm
80 G-72 2F



max. 5kg
KUH.30011
KUH.40022

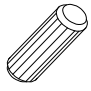
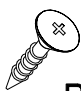
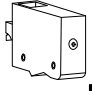


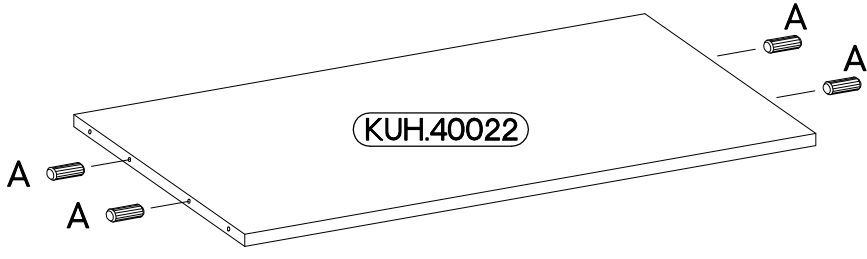
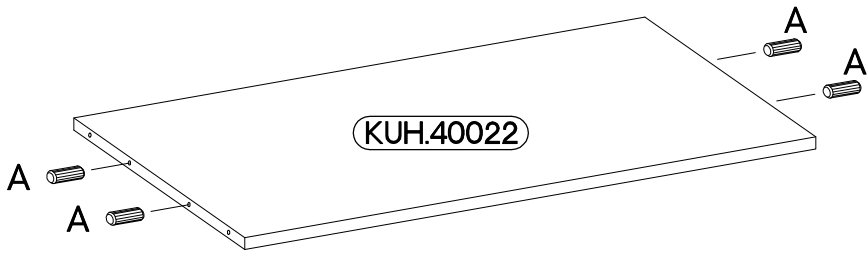
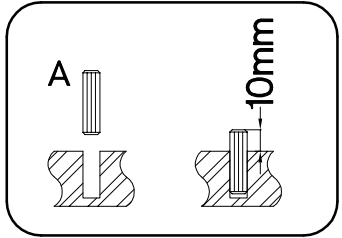
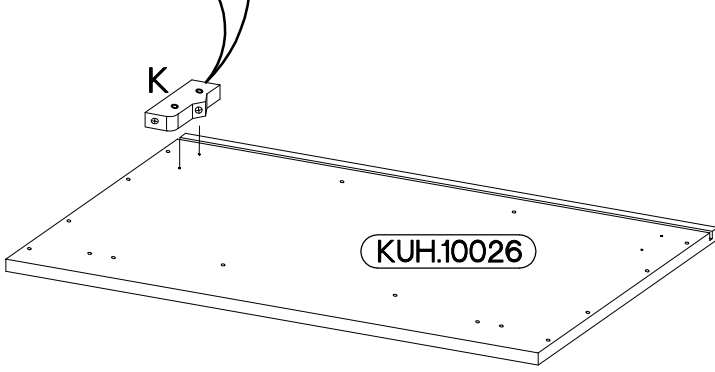
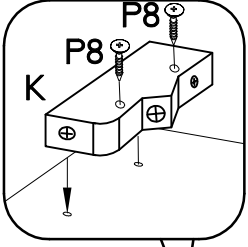
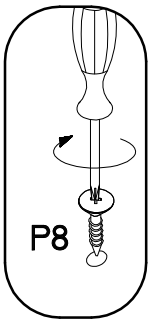
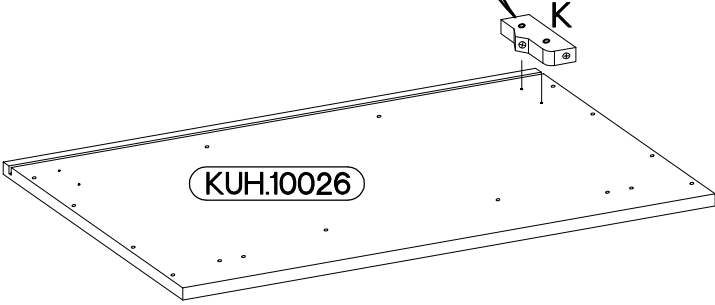
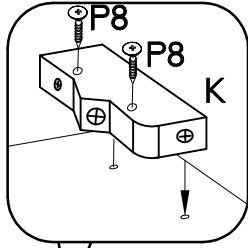
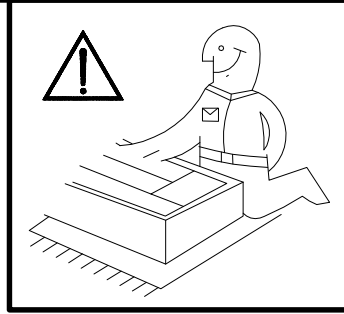
| | | | |
|-----------------------|--------------------------|-------------------------|------------------------------|
| +8x30mm A 8 | 6,4 x 50mm B 8 | E1 8 | +35/0mm HG 4 |
| +5/19mm J 8 | K 2 | L1=680mm L1 2 | O 1 |
| | | | +3.5x13mm P5 8 |
| | | | +3.0x20mm P7 15-20 |
| | | | +4.0x30mm P8 4 |



ISM-KUH-01145

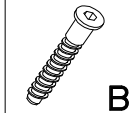
1

| | | |
|--|---|---|
|  ‡8x30mm A |  ‡4.0x30mm P8 |  K |
| 8 | 4 | 2 |



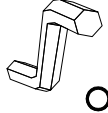
2

6,4 x 50mm



B

4



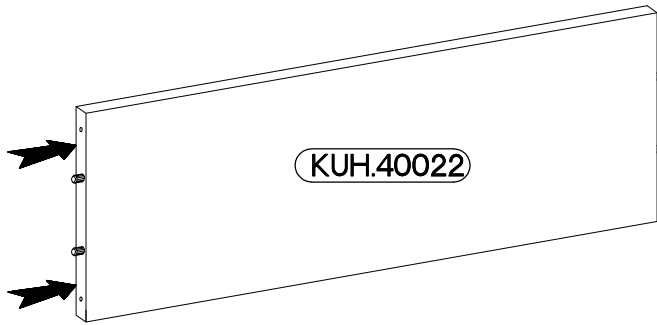
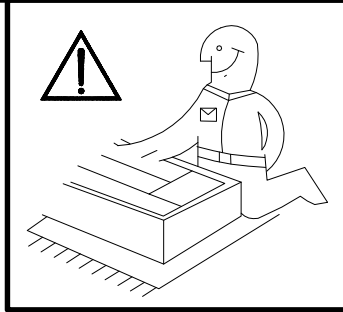
O

1

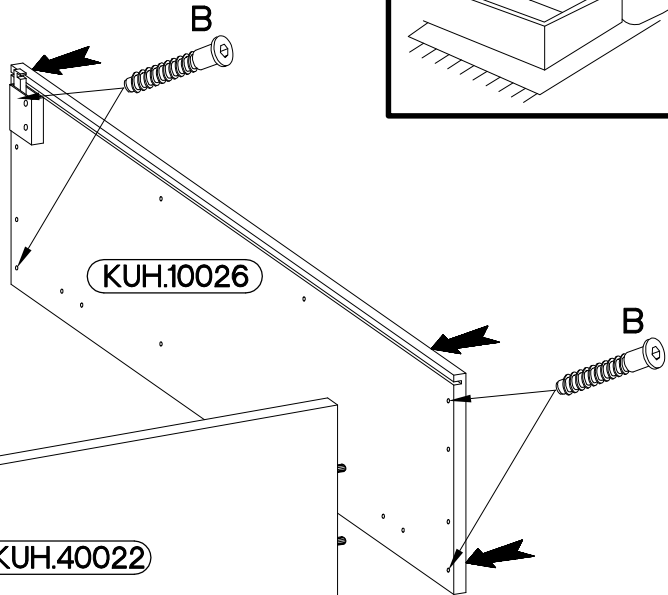


E1

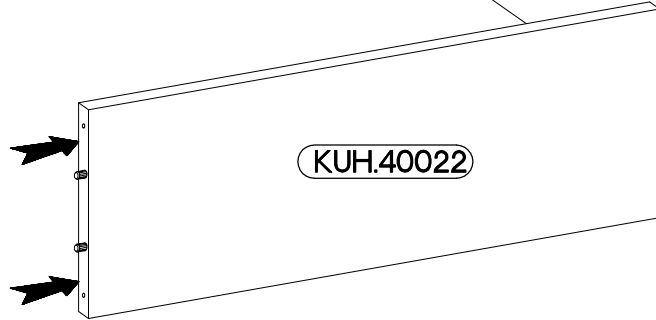
4



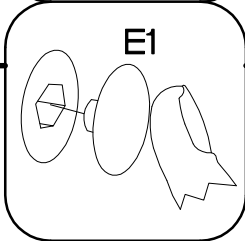
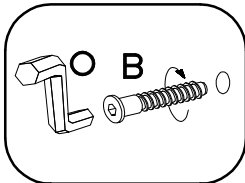
KUH.40022



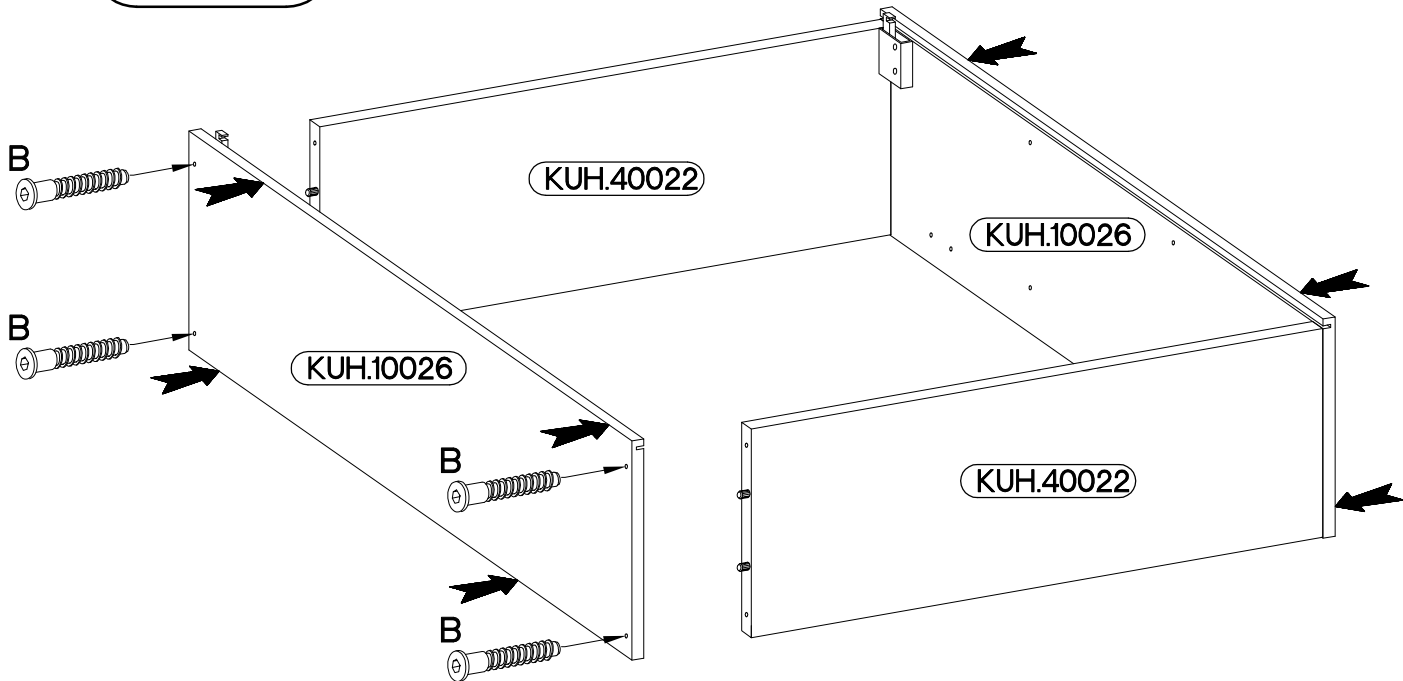
KUH.10026



KUH.40022



3



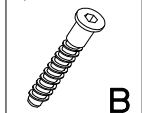
KUH.40022

KUH.10026

KUH.10026

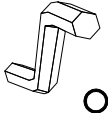
KUH.40022

6,4 x 50mm



B

4



O

1

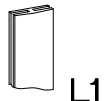


E1

4

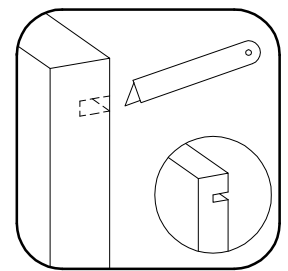
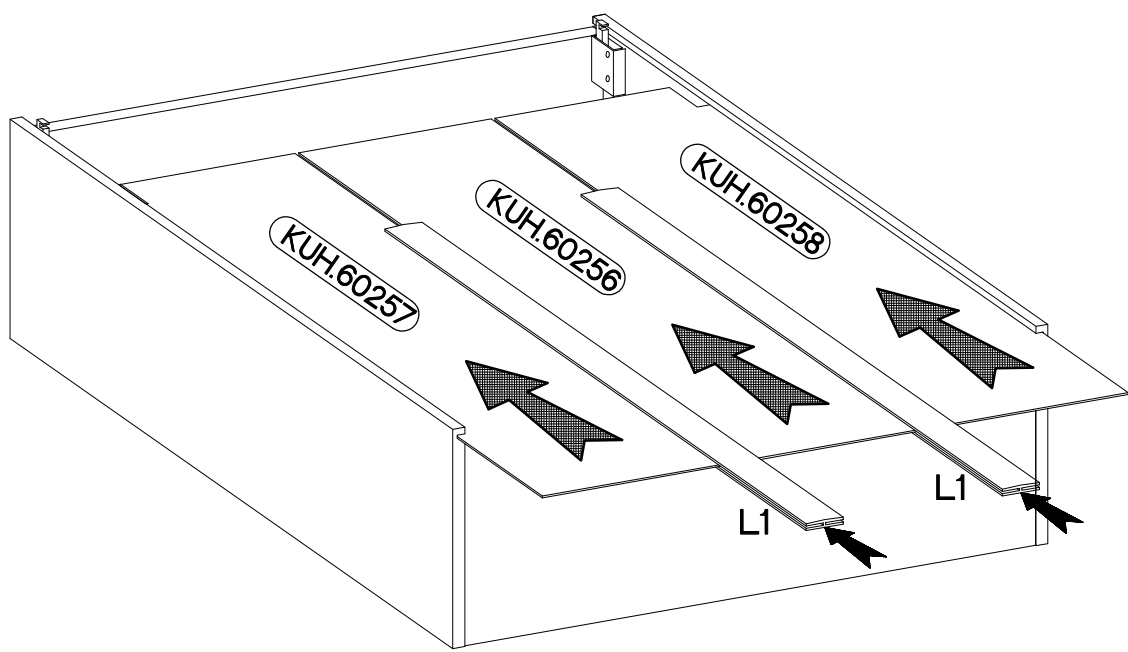
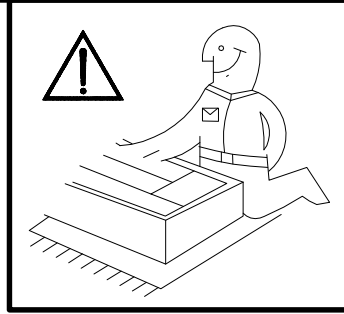
4

L1=680mm




L1

2



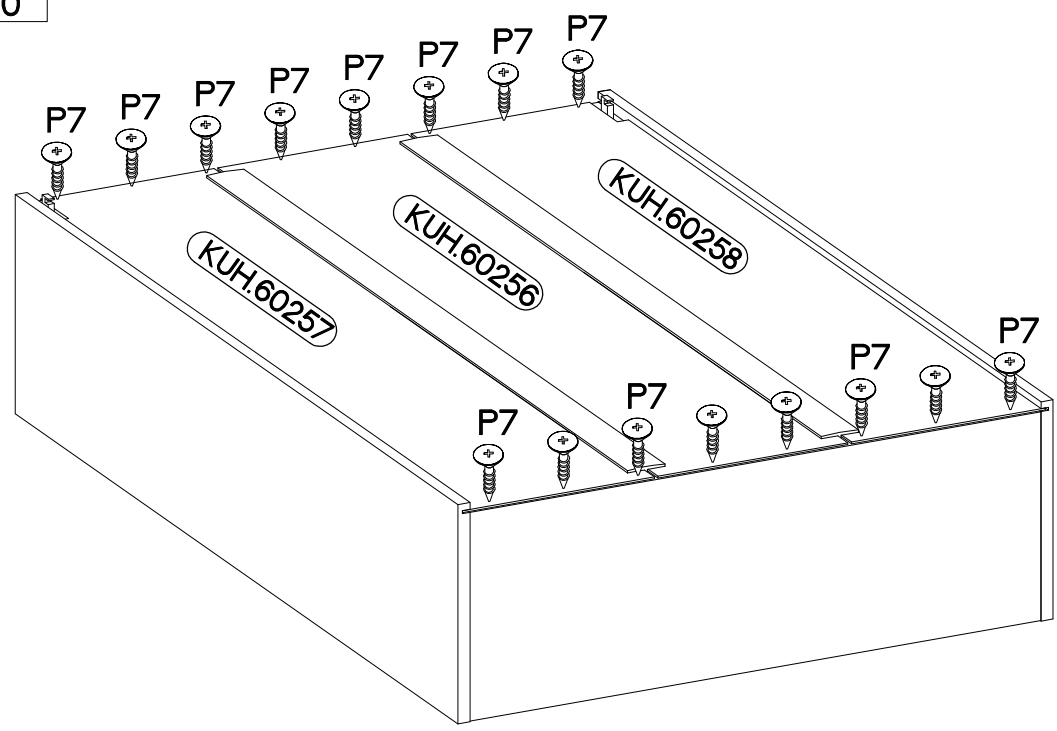
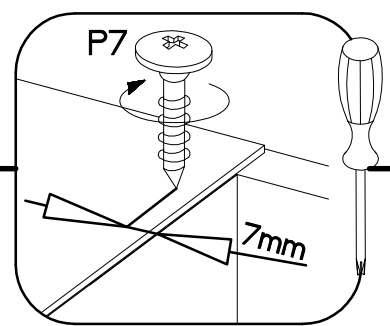
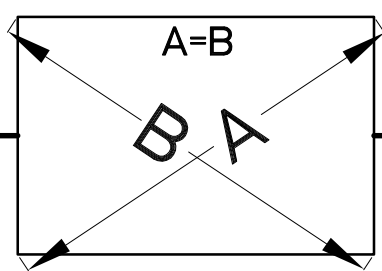
5

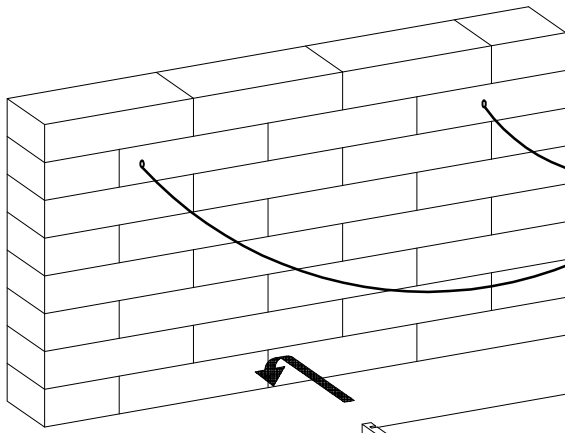
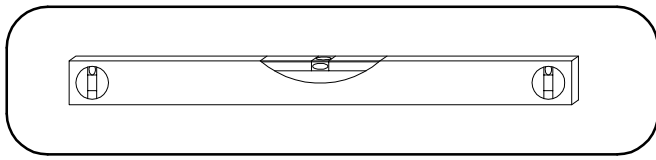
±3.0x20mm



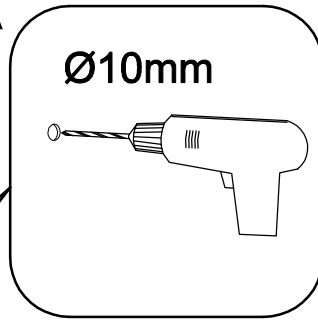
P7

15-20

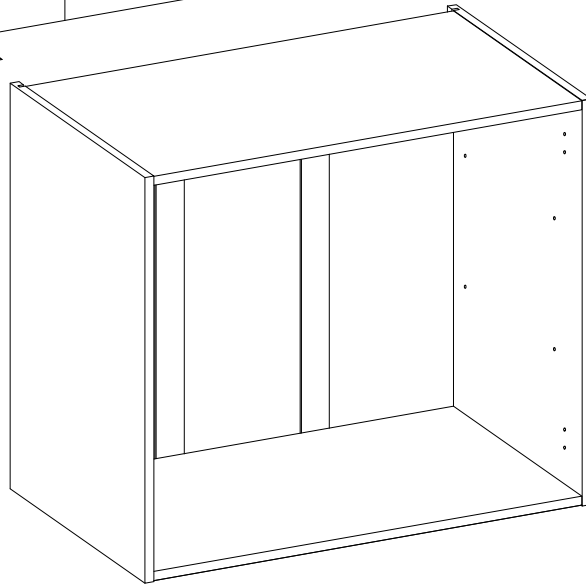




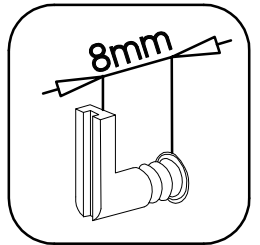
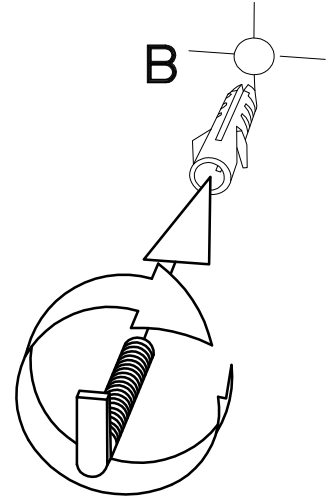
A



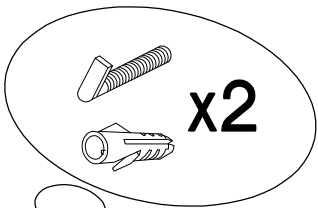
Ø10mm



B



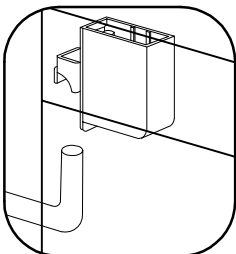
8mm



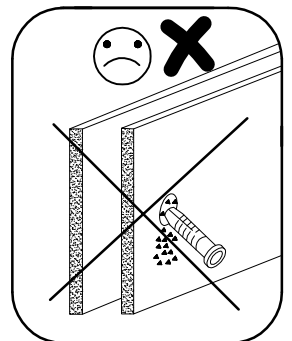
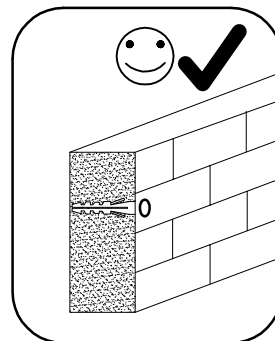
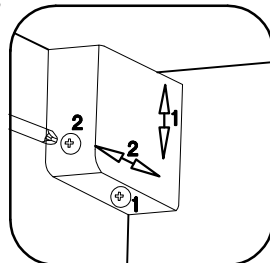
x2



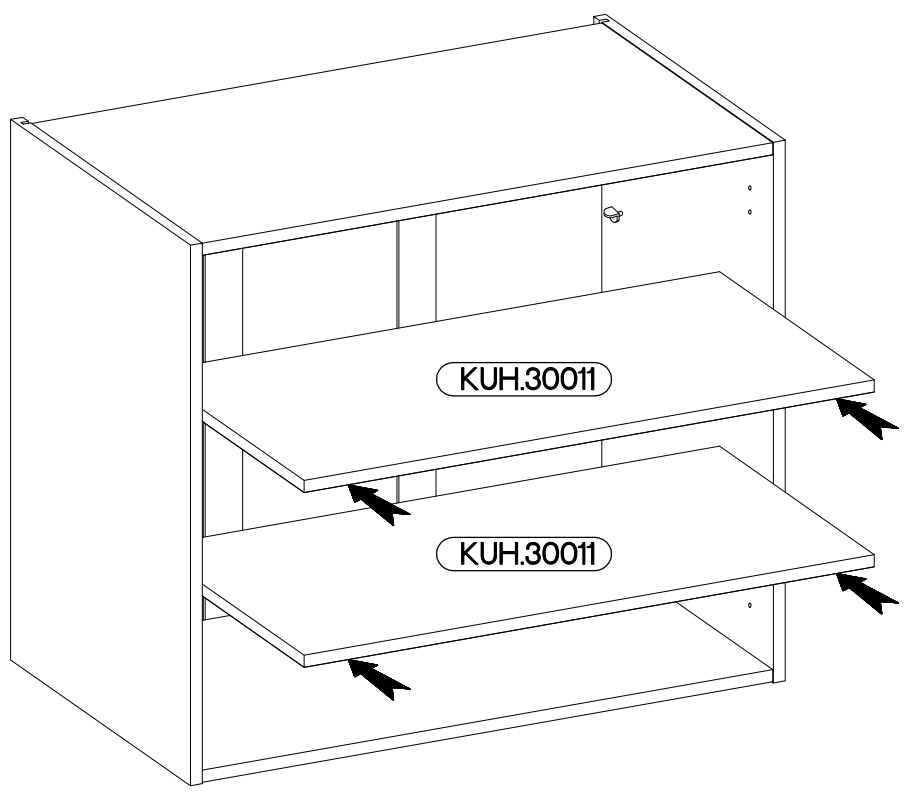
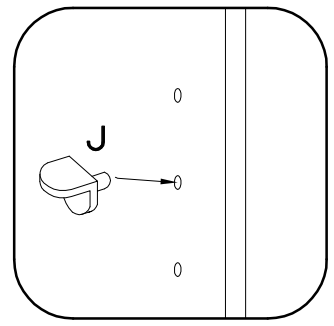
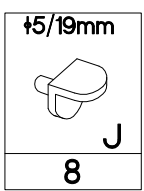
C



D



7



8

FRONT

