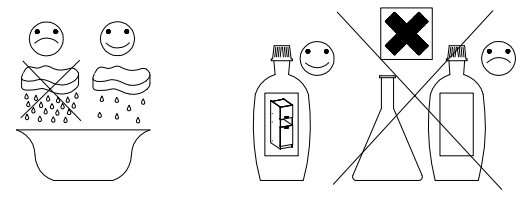
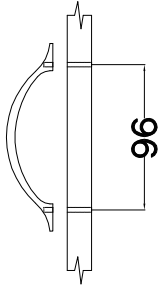
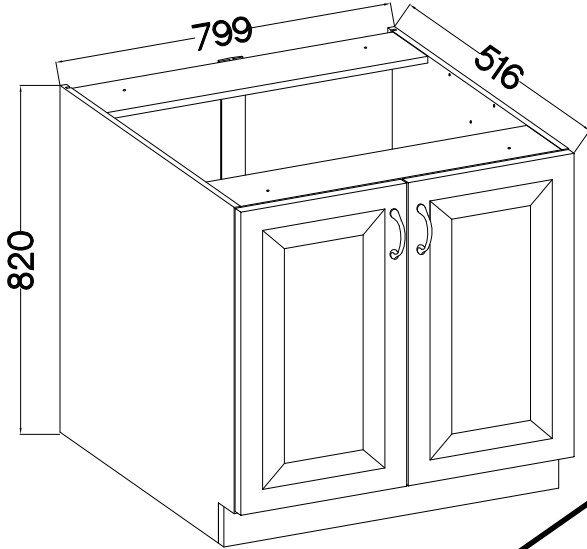


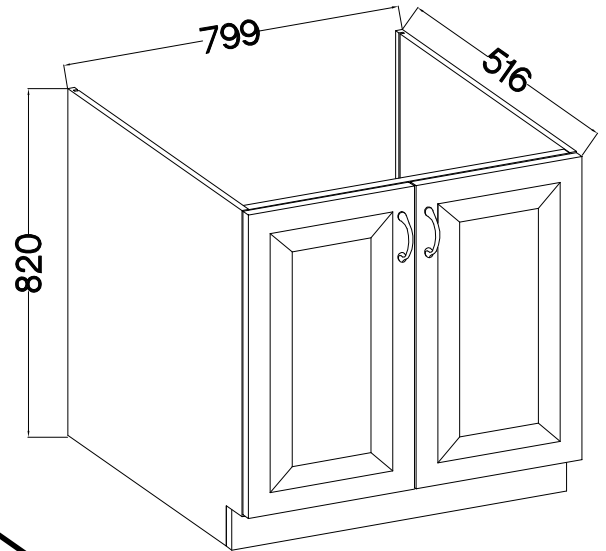
FRONT



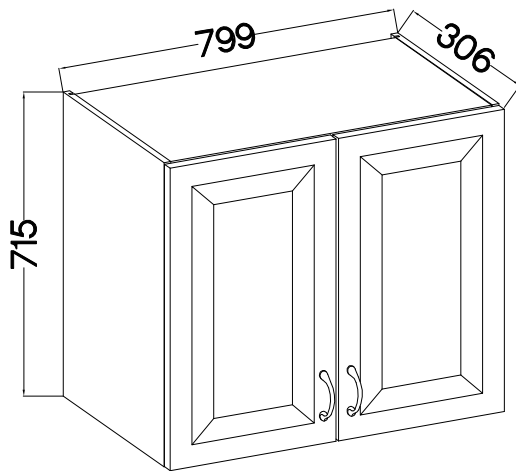
80 D 2F BB



80 ZL 2F BB

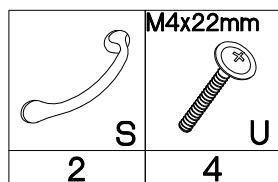


80 G-72 2F



KUH.70769

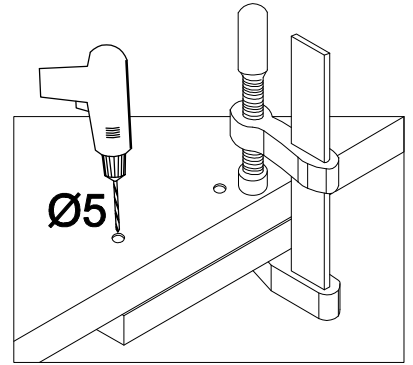
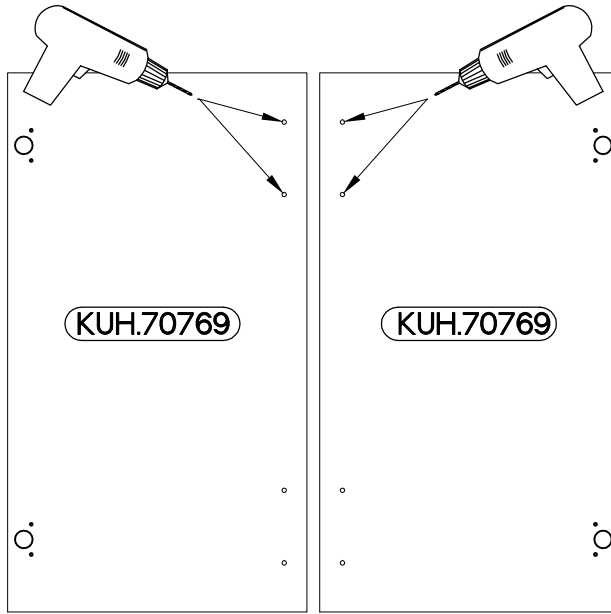
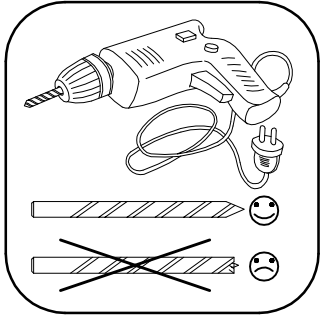
KUH.70769



ISM-KUH-01203

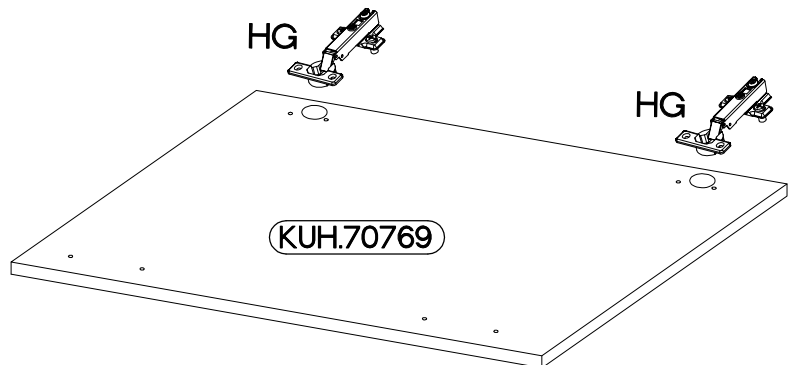
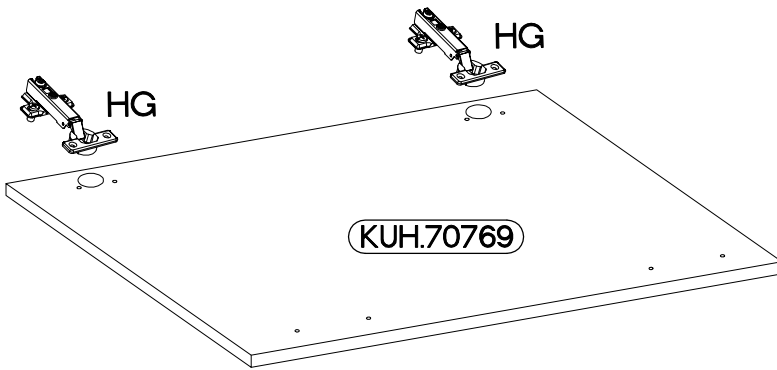
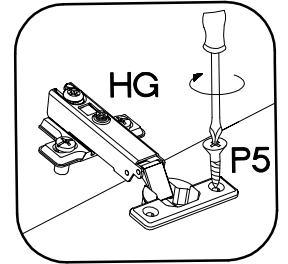
1

80 D 2F BB



2

+35/0mm HG 4	+3.5x13mm P5 8
------------------------	--------------------------



3

M4x22mm



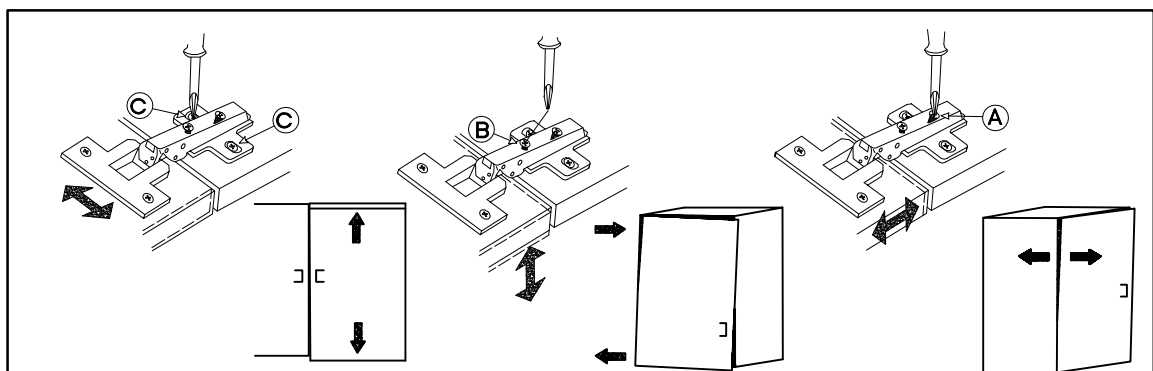
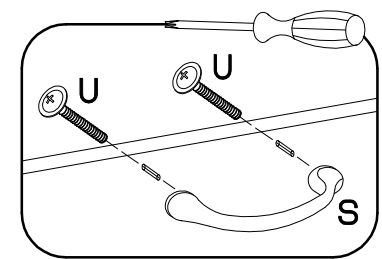
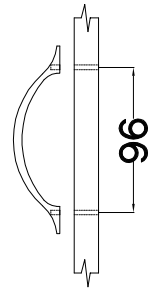
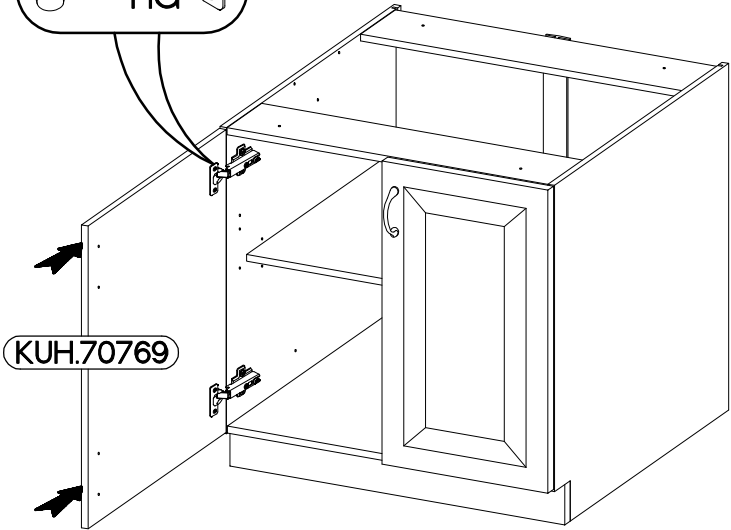
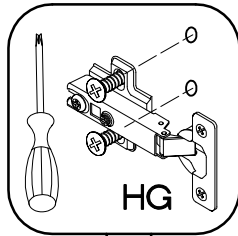
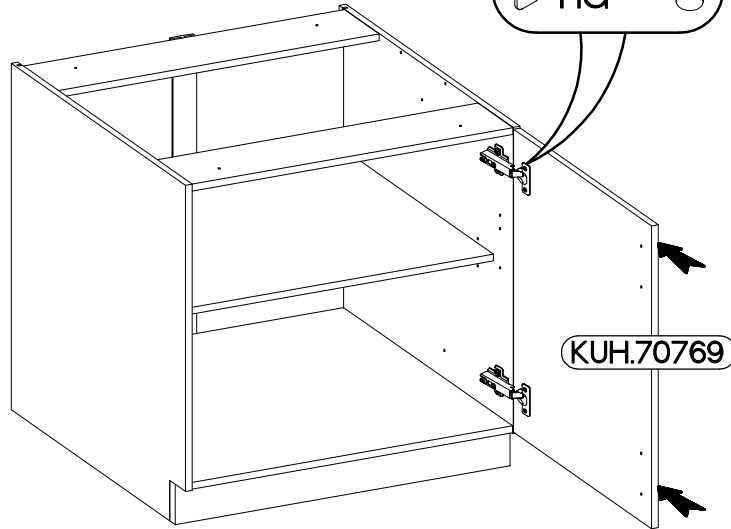
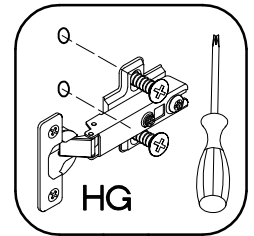
U

4



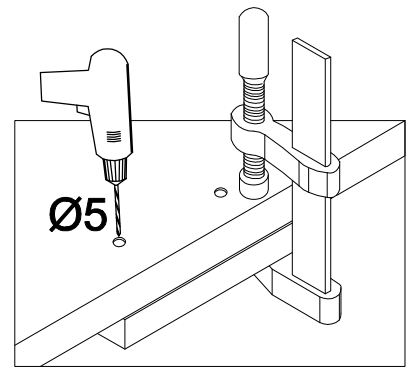
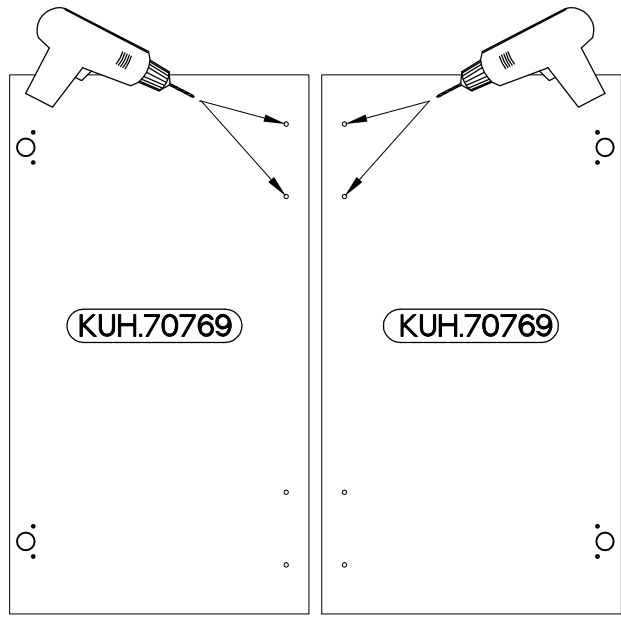
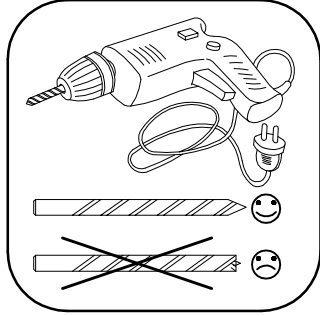
S

2



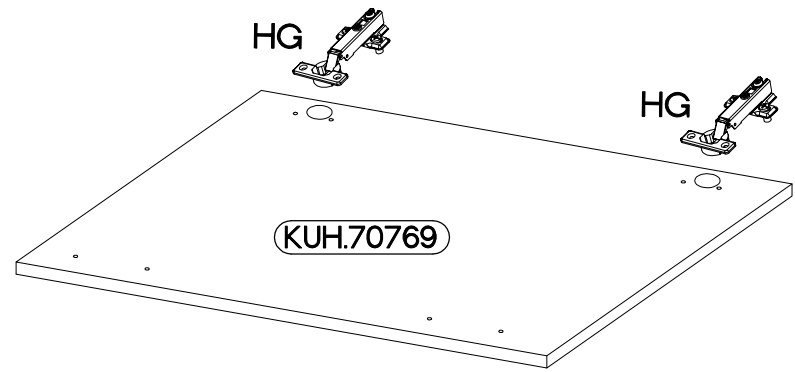
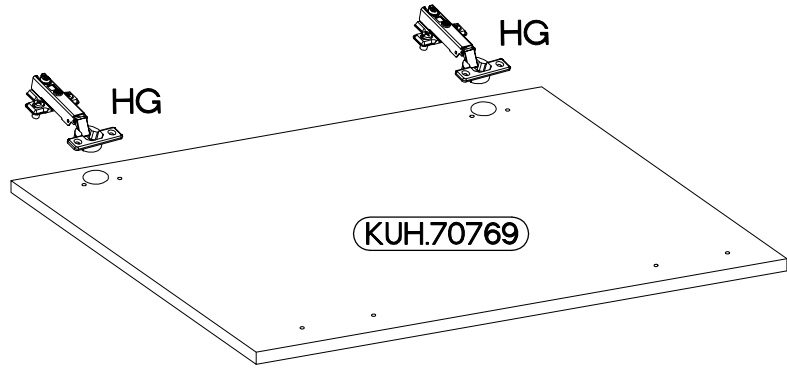
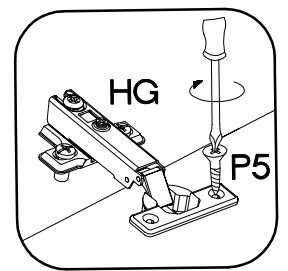
4

80 ZL 2F BB



5

+35/0mm HG 4	+3.5x13mm P5 8
--------------------	----------------------



M4x22mm



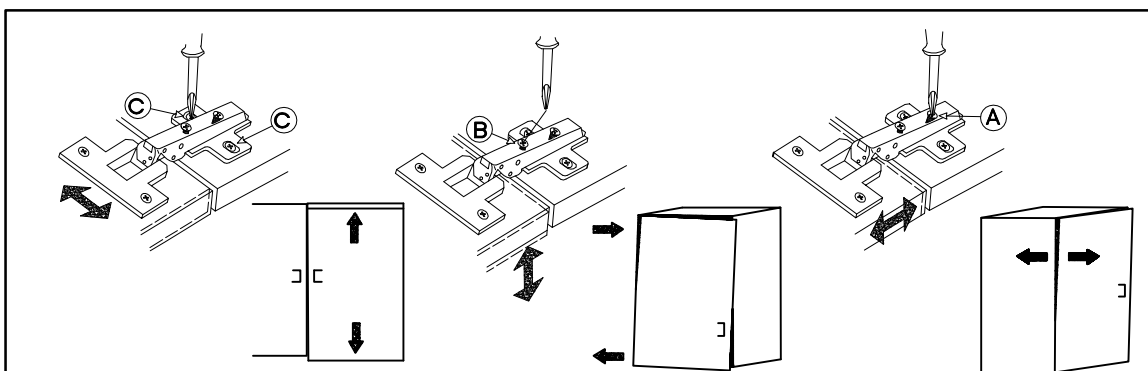
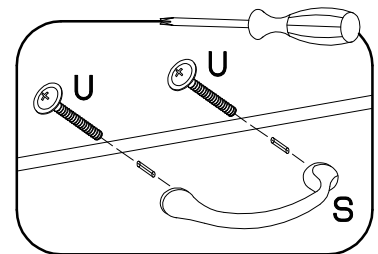
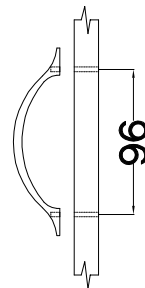
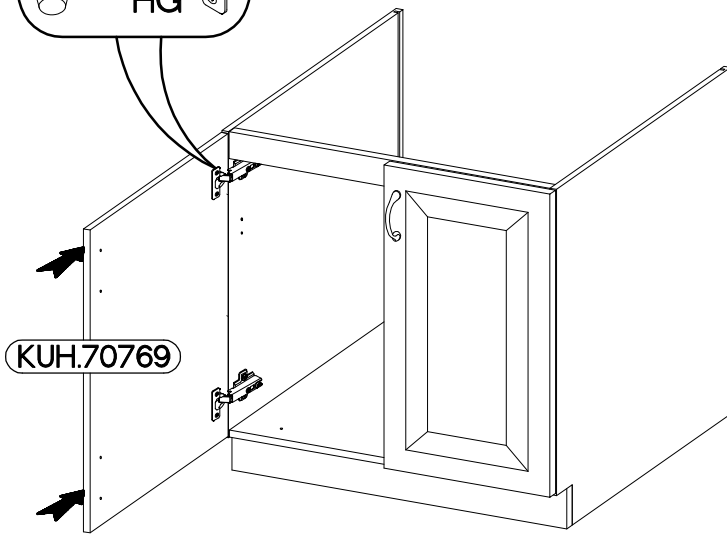
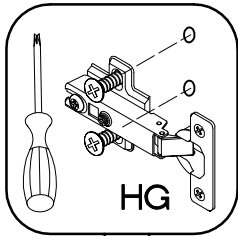
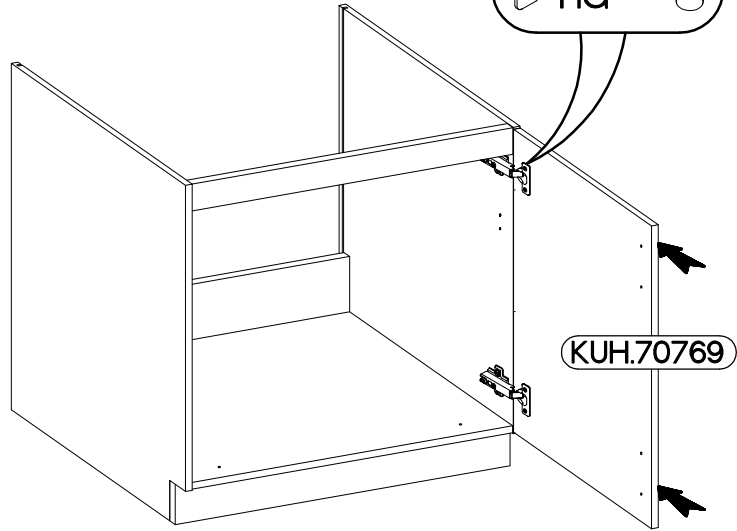
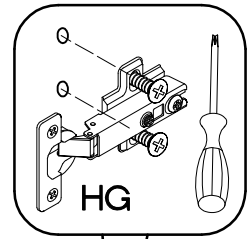
U

4



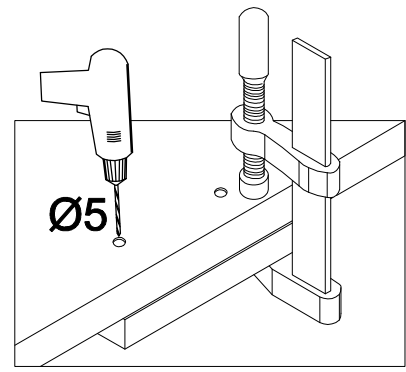
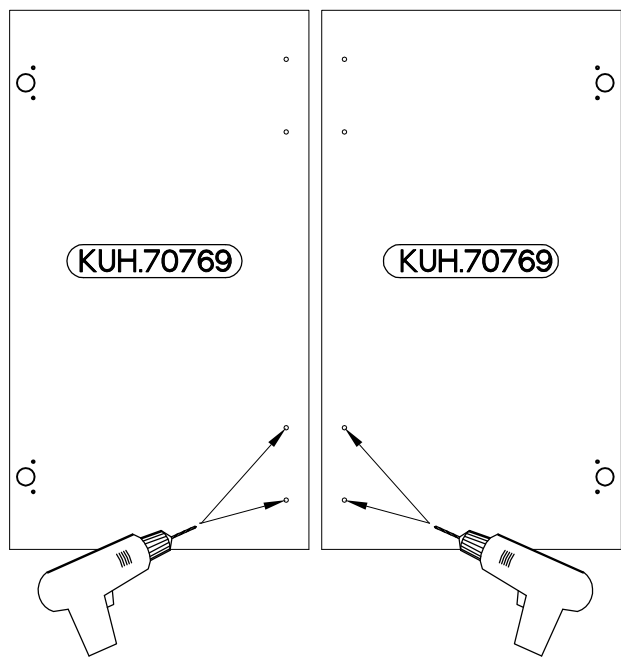
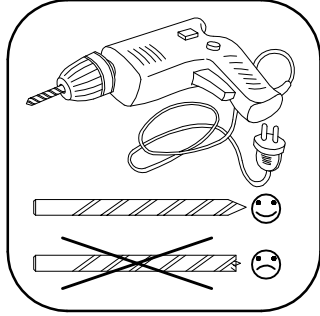
S

2





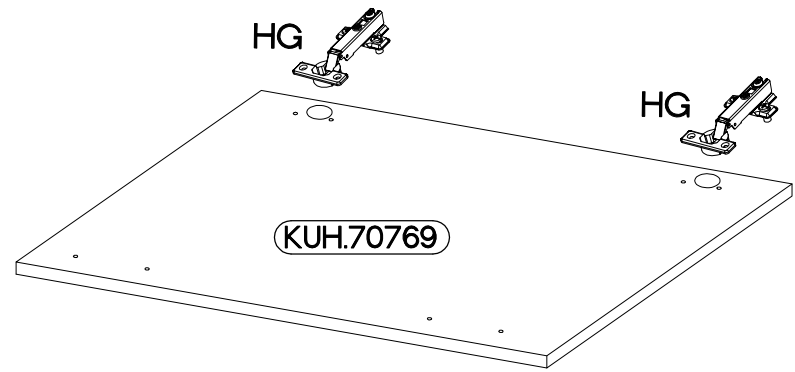
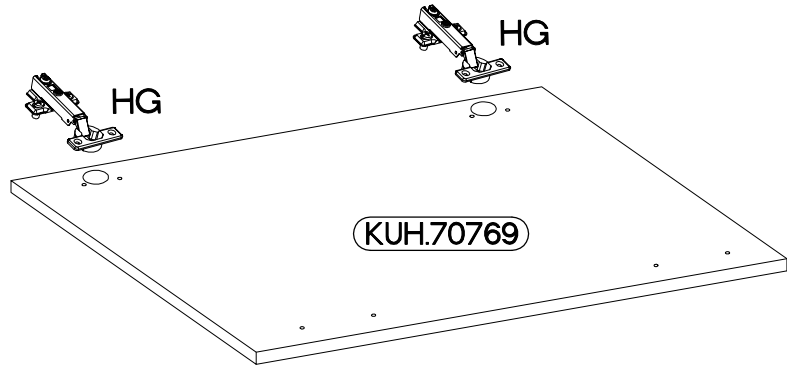
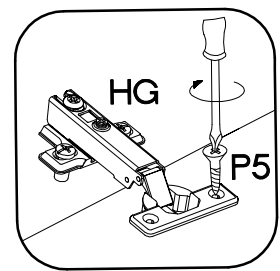
7

80 G-72 2F



8

 +35/0mm HG 4	 +3.5x13mm P5 8
--	--



M4x22mm



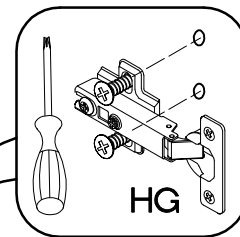
U

4

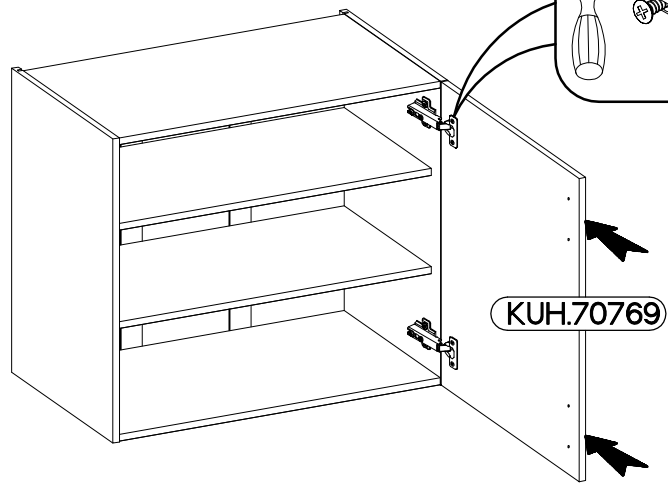


S

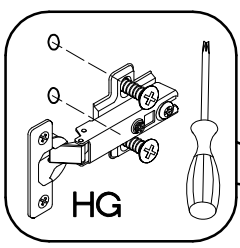
2



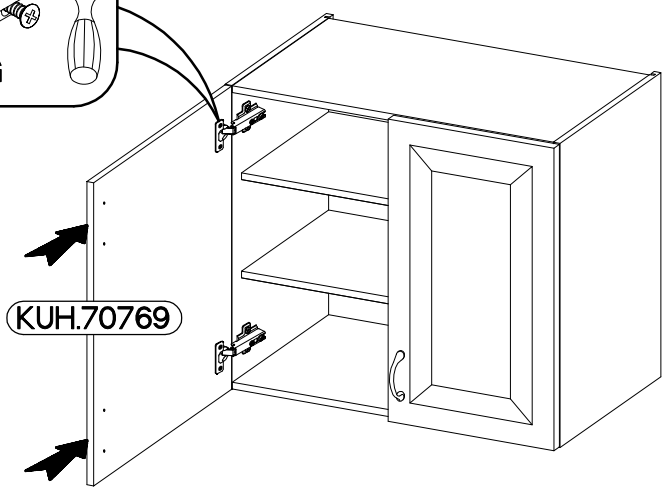
HG



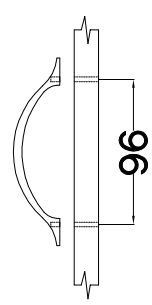
KUH.70769



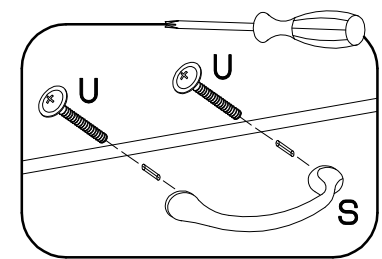
HG



KUH.70769

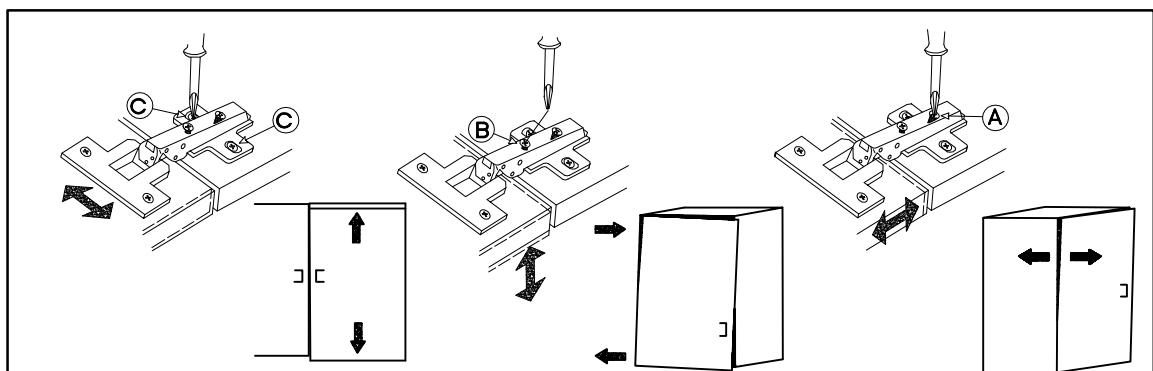


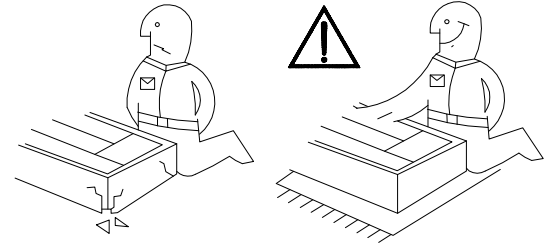
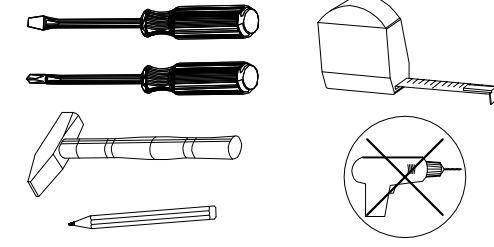
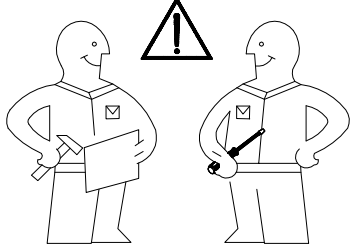
96



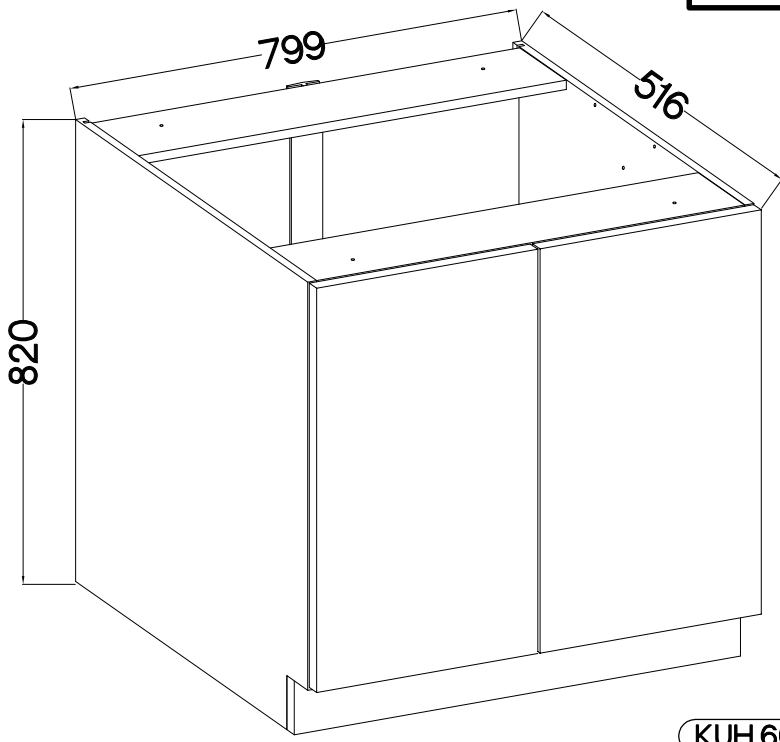
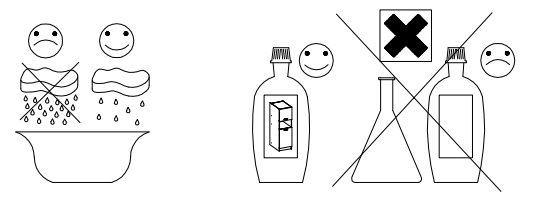
U

S

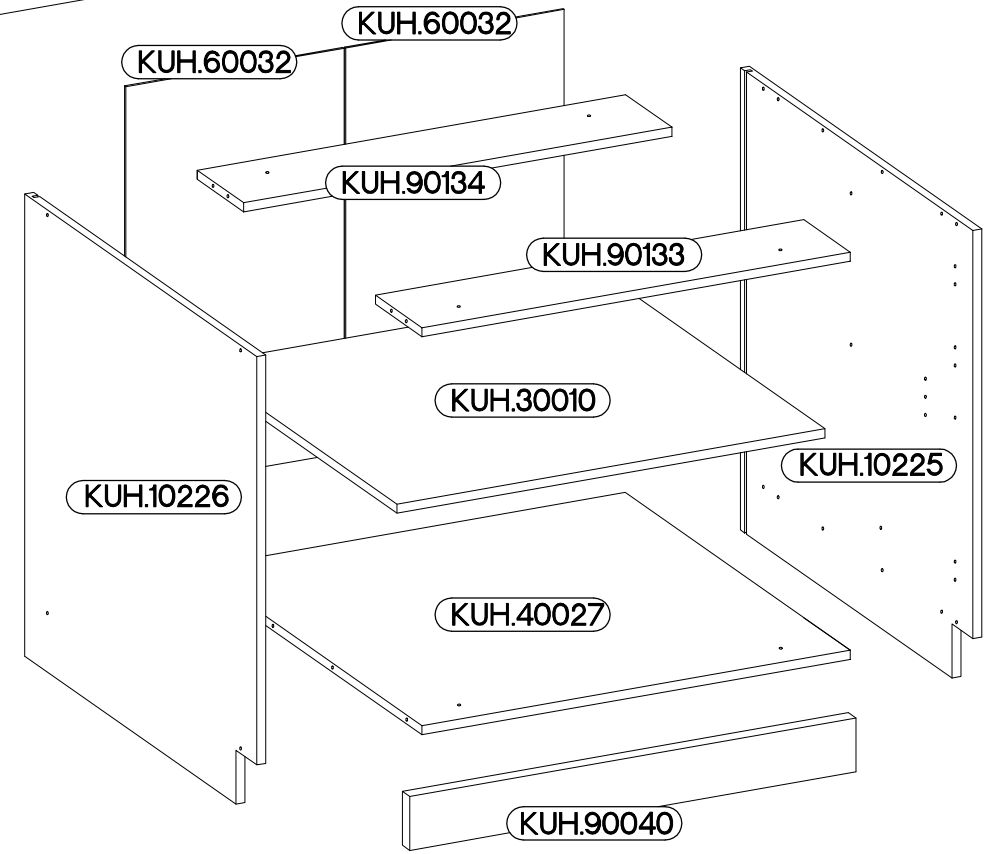
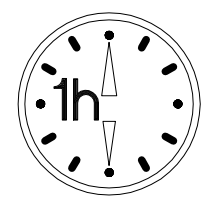




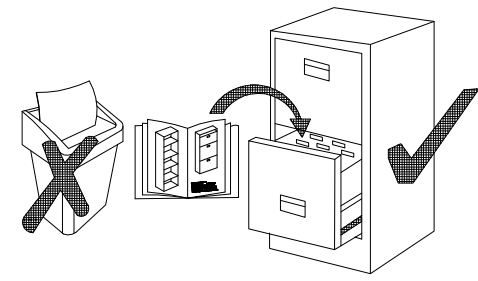
80 D 2F BB



max. 10kg
 KUH.30010
 KUH.40027

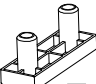
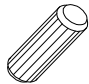


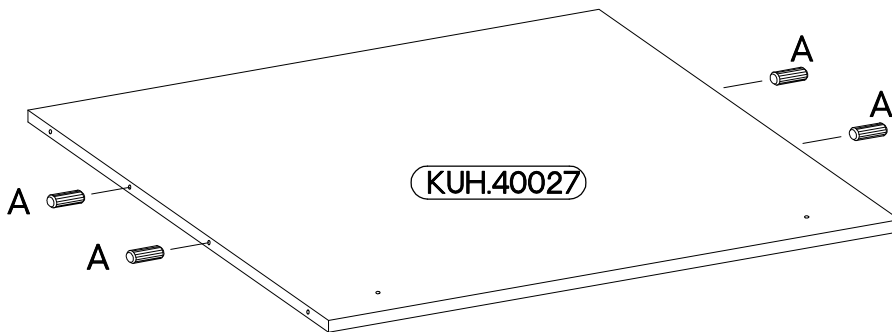
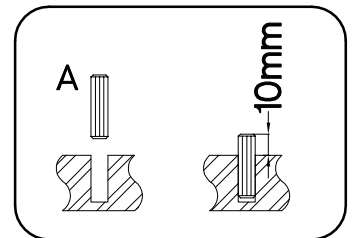
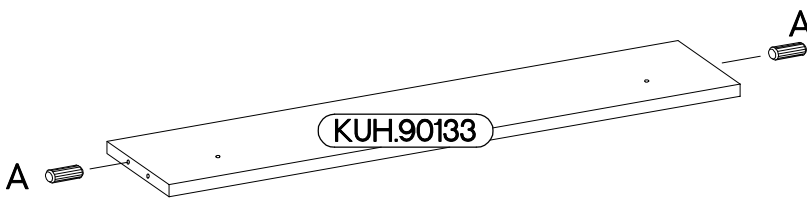
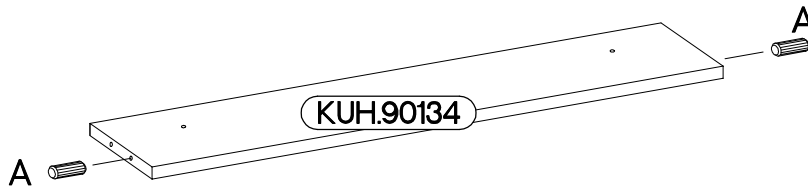
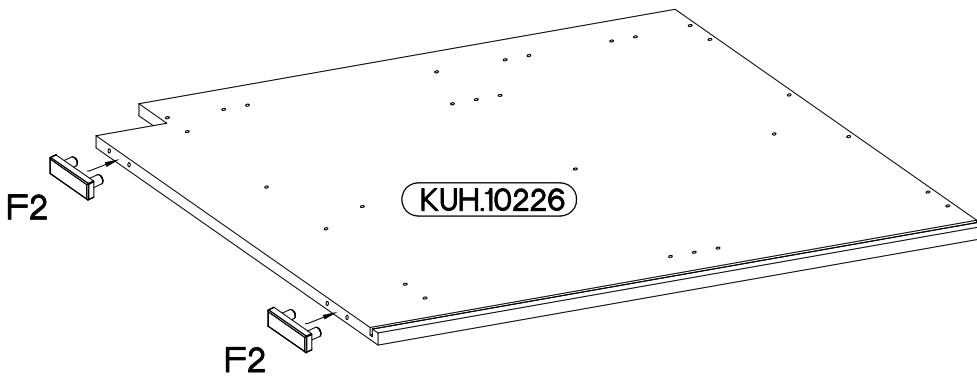
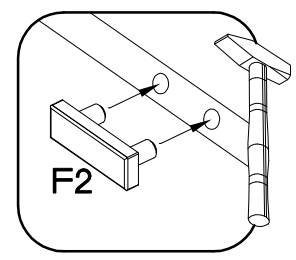
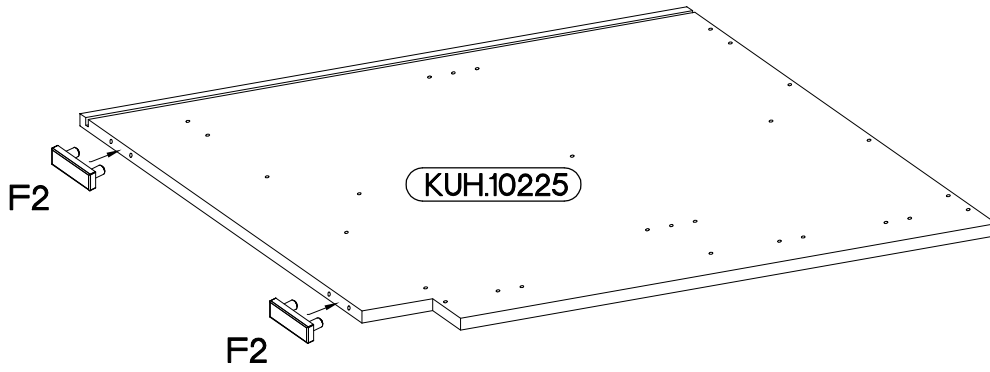
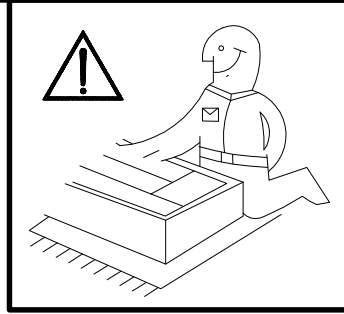
 8x30mm A 8	 6,4 x 50mm B 8	 E1 8	 E9 2	 6.5x48x16 F2 4	 +35/0mm HG 4	
 +5/19mm J 4	 L1=680mm L1 1	 O 1	 +4.0x45mm P4 2	 +3.5x13mm P5 8	 +3.0x20mm P7 10-15	 +4.0x35mm R3 4



ISM-KUH-01143

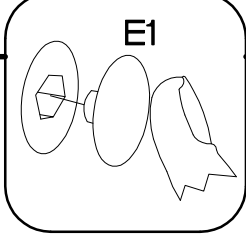
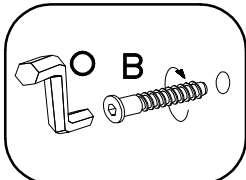
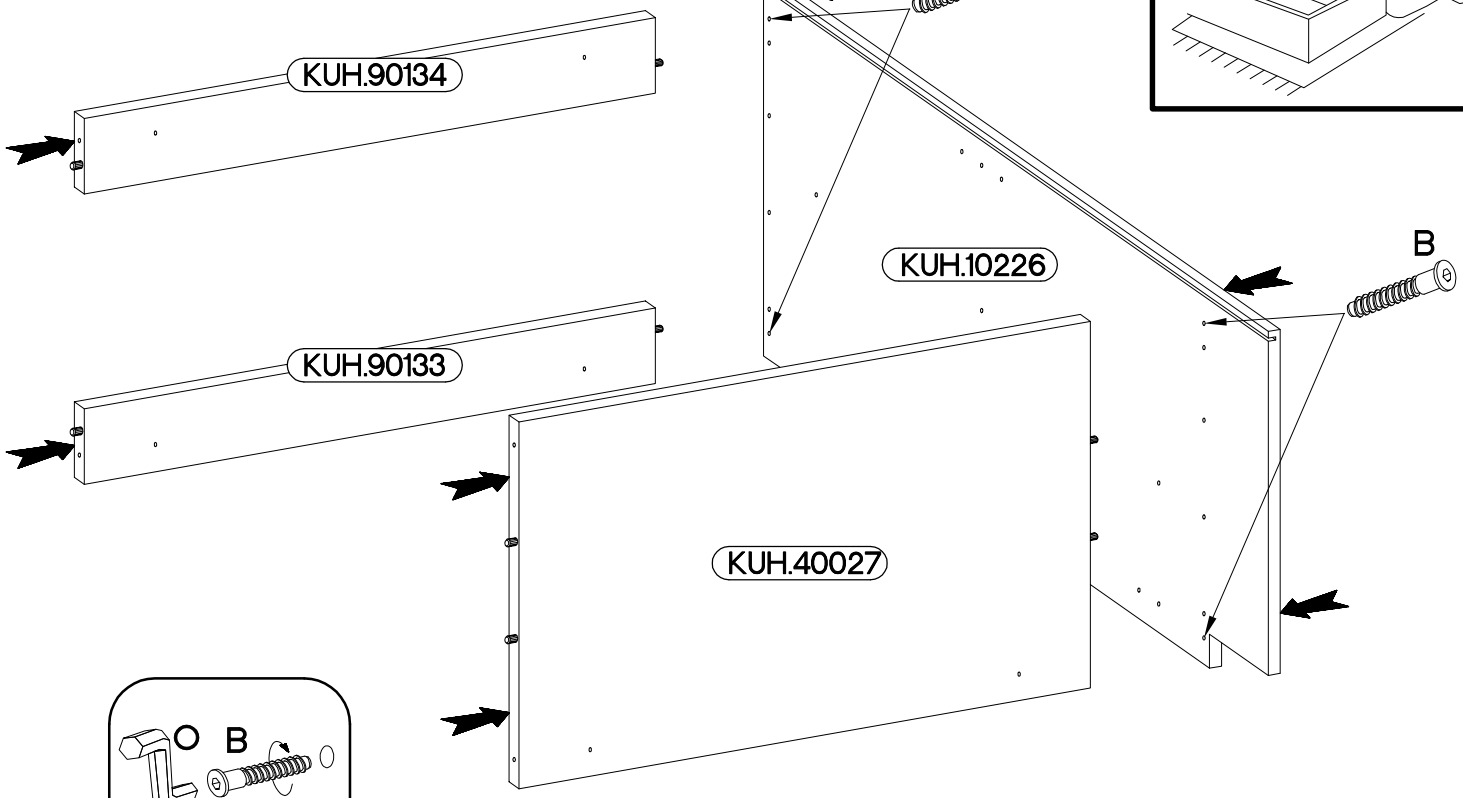
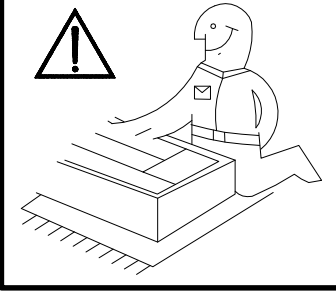
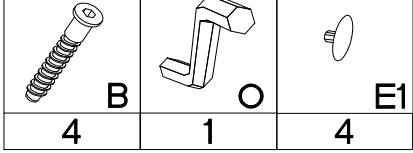
1

6.5x48x16  F2 4	+8x30mm  A 8
--	---

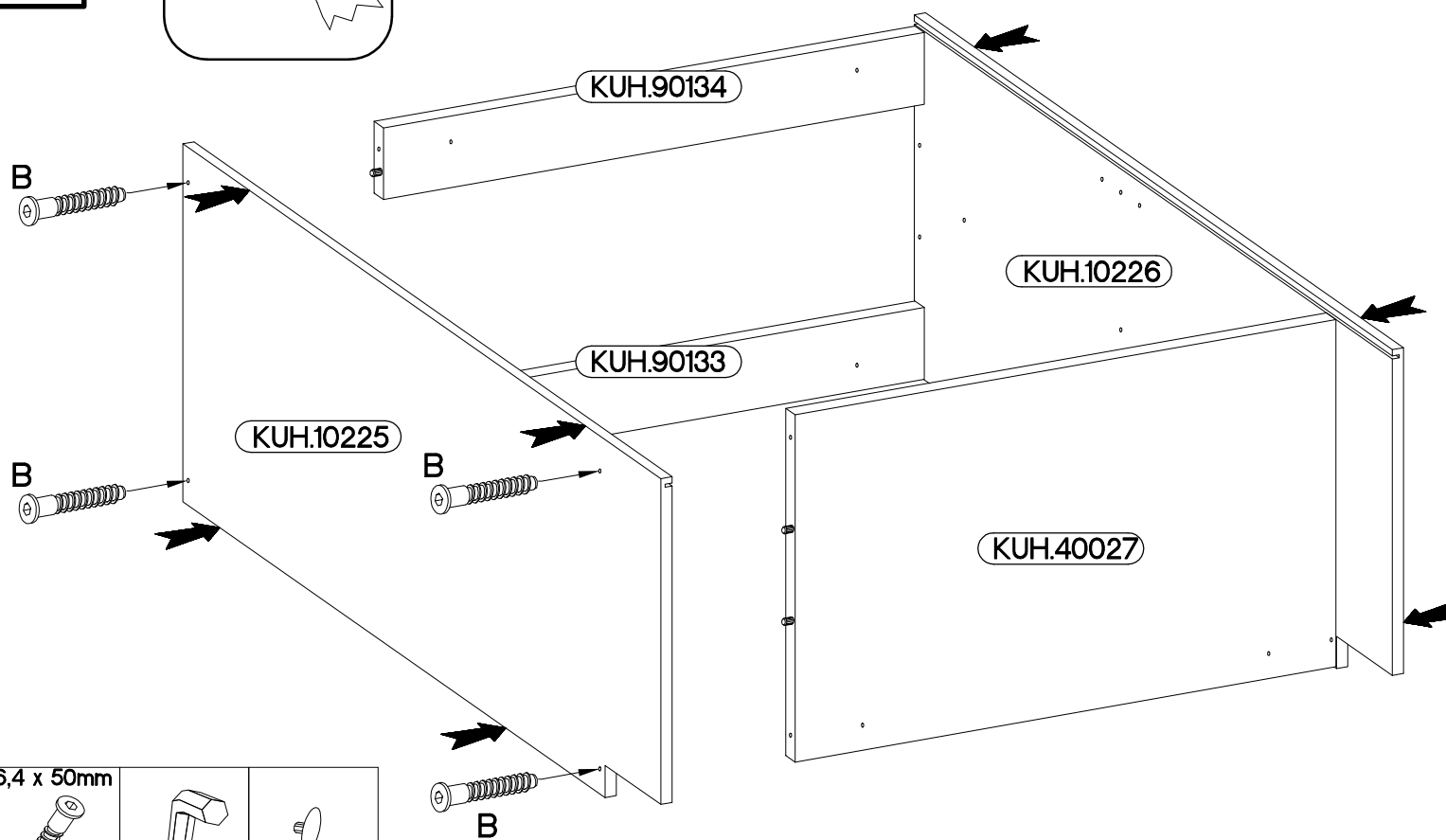


2

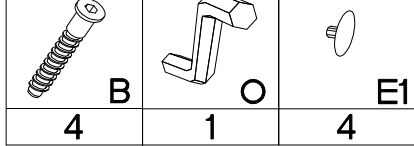
6,4 x 50mm



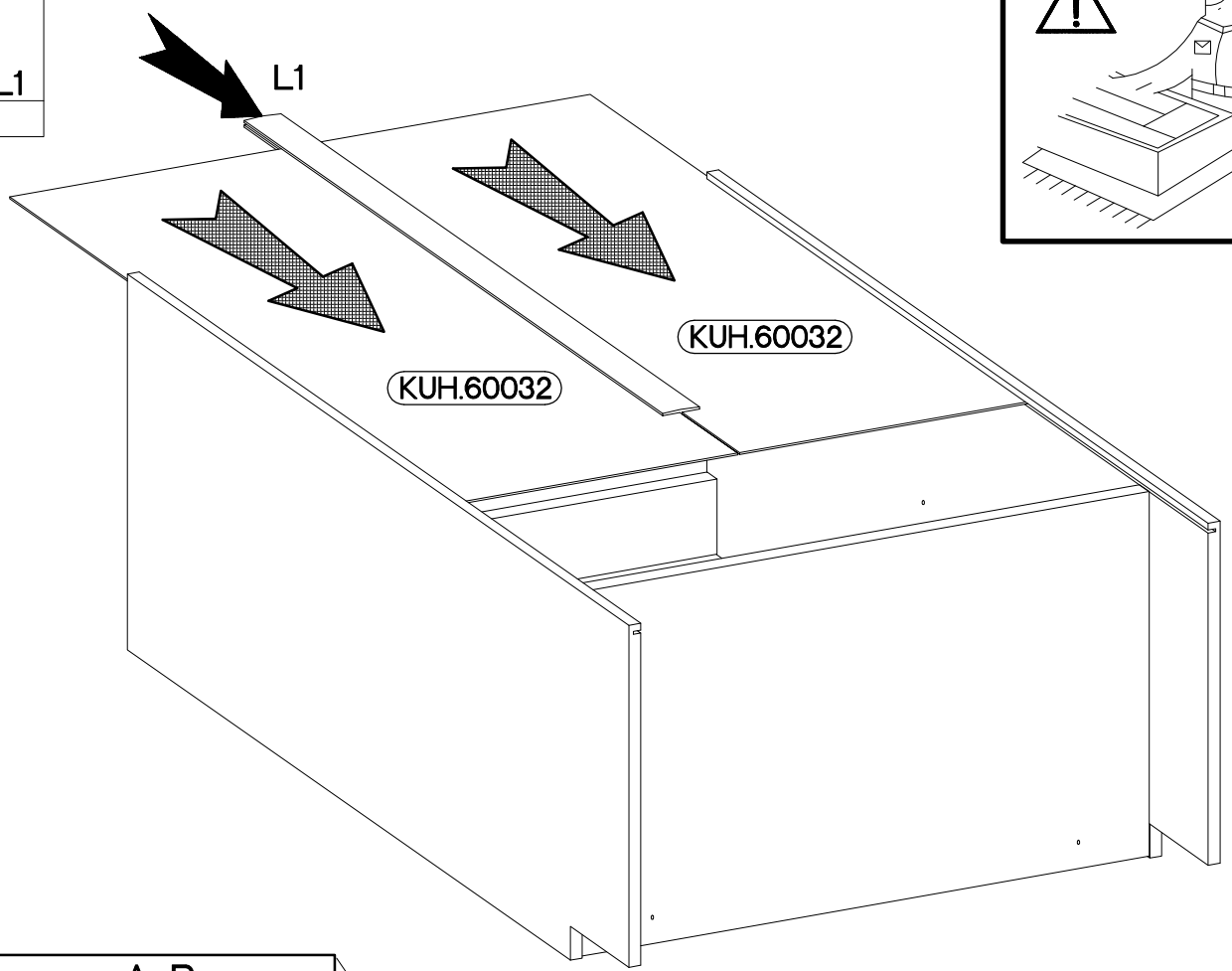
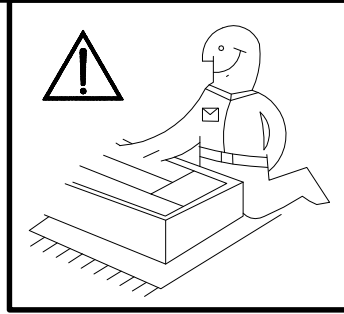
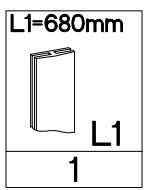
3



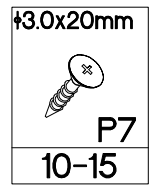
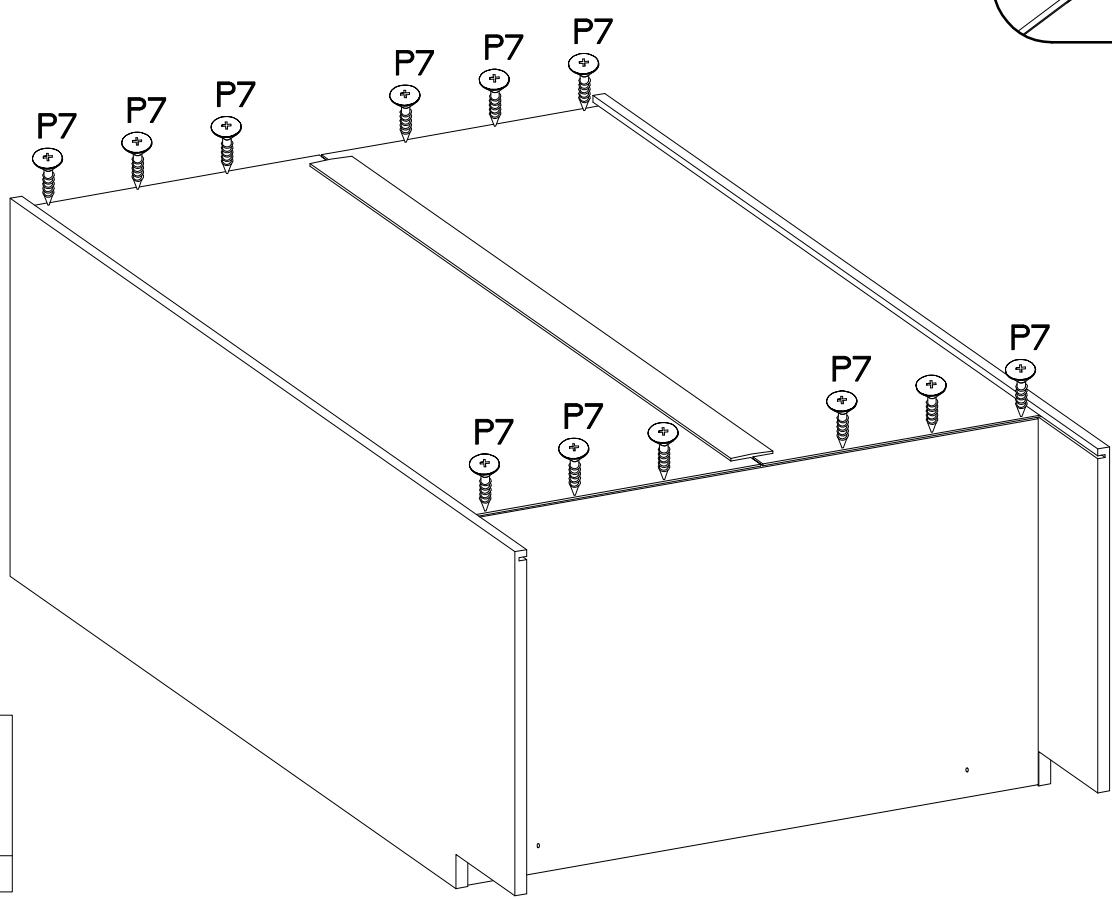
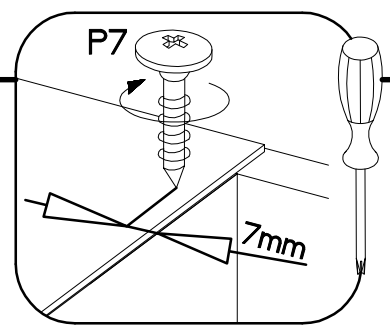
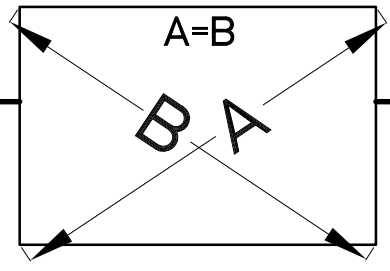
6,4 x 50mm





4

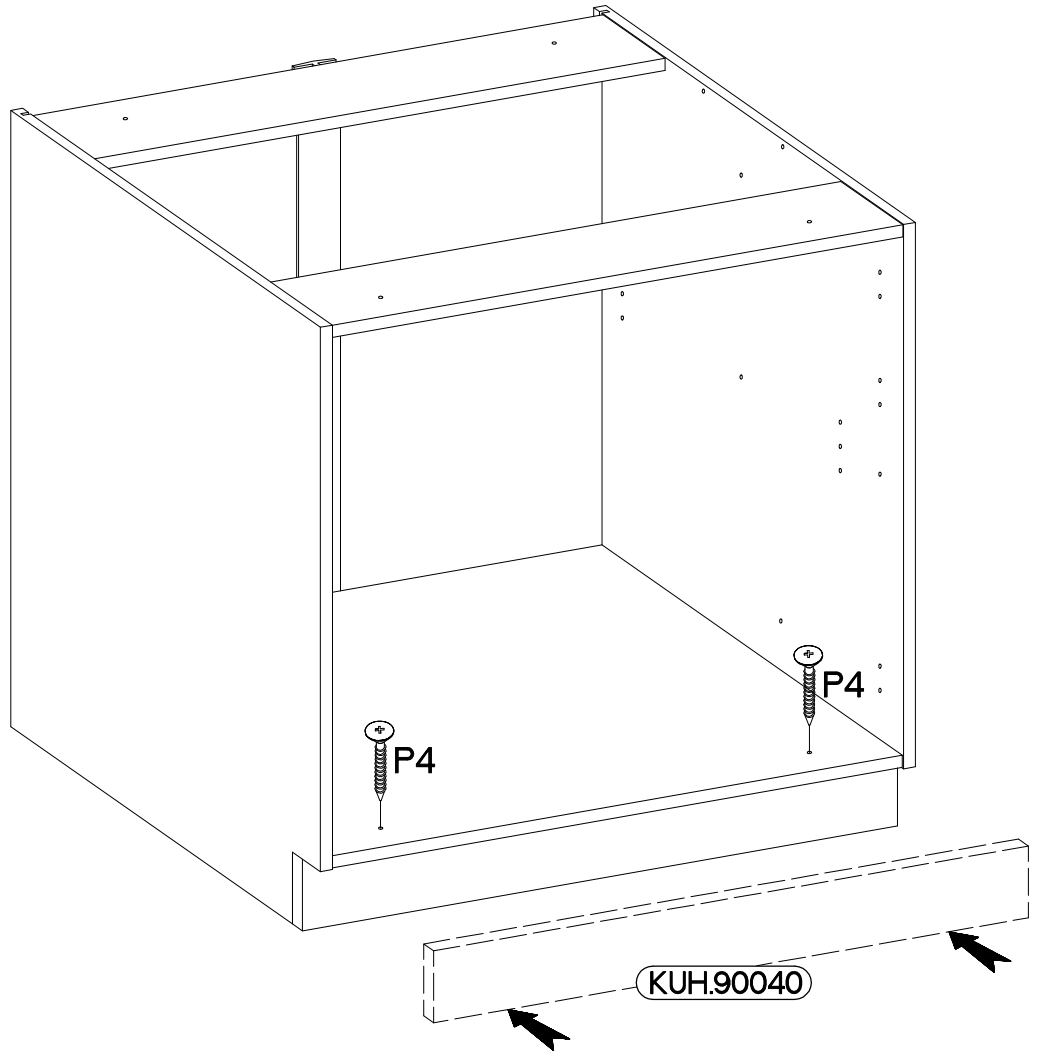
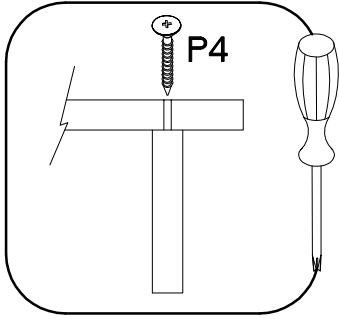


5

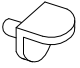


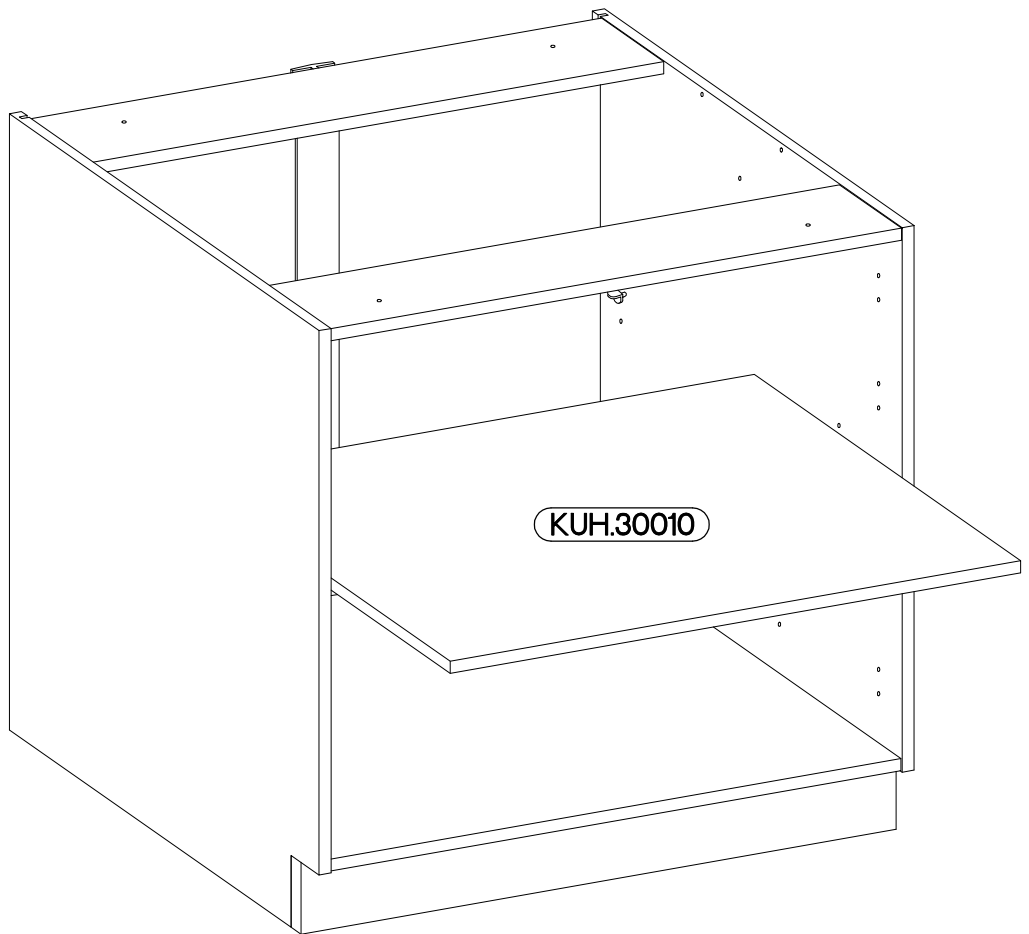
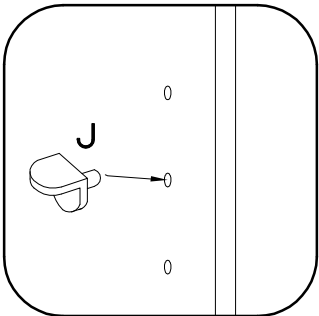
6

$\pm 4.0 \times 45 \text{mm}$  P4	 E9
2	2

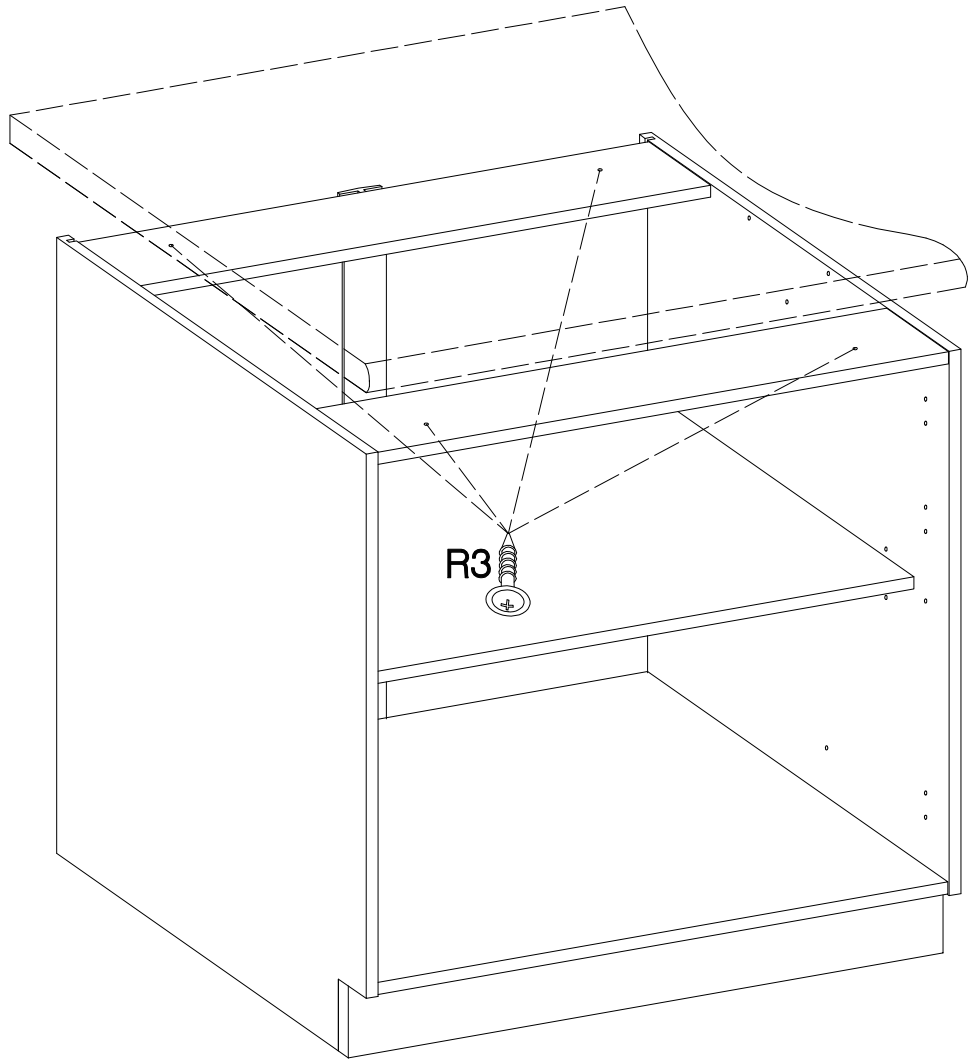
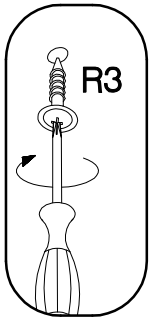
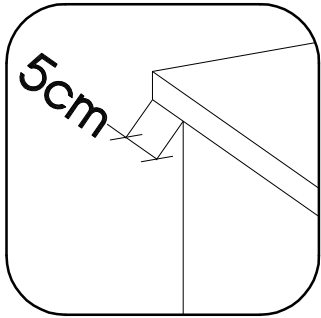
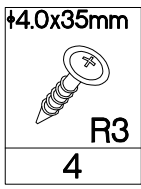


7

$\pm 5 / 19 \text{mm}$  J
4



8



9

FRONT

