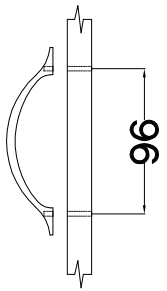
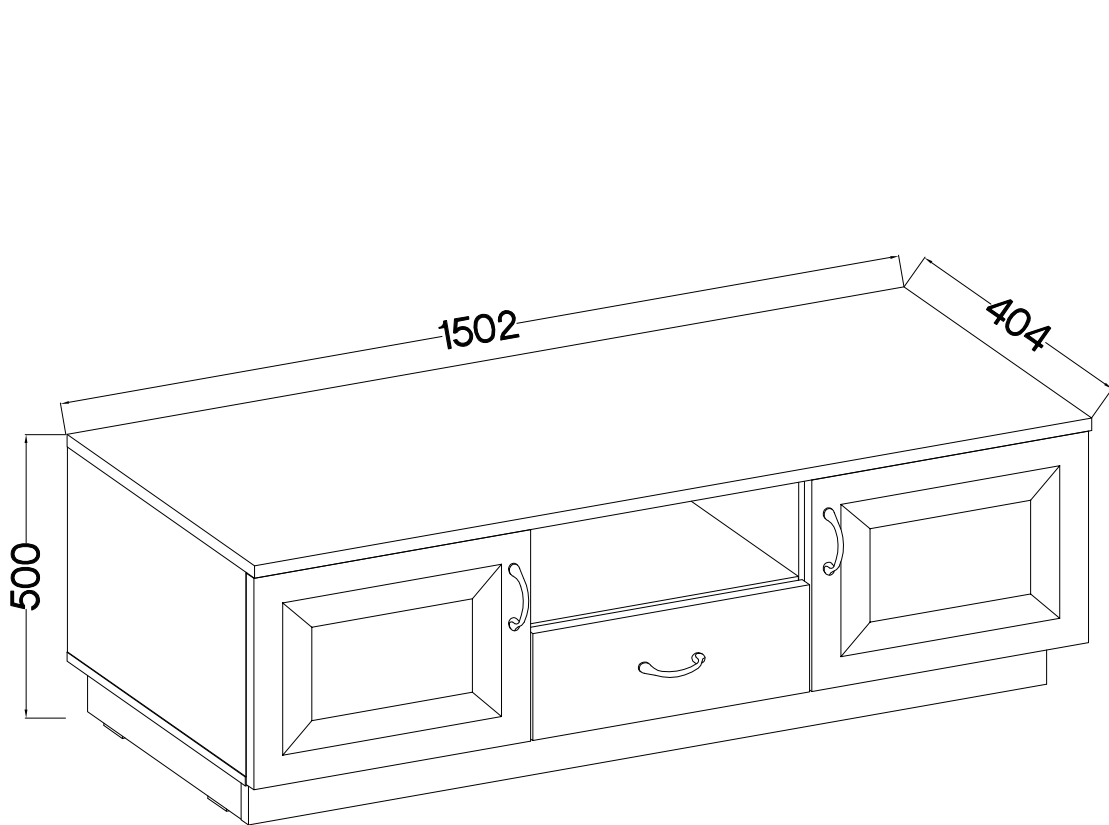
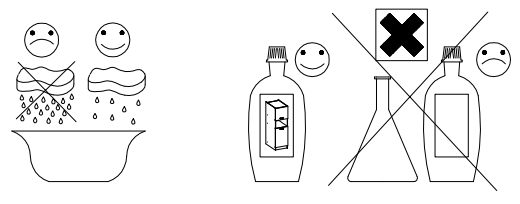
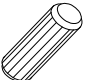



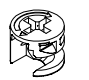
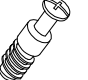



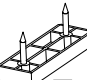
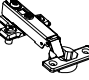



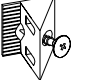
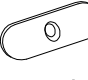







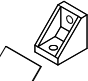

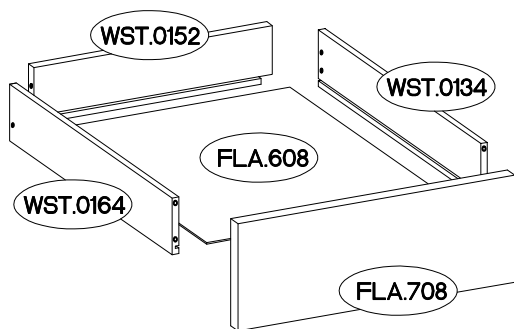
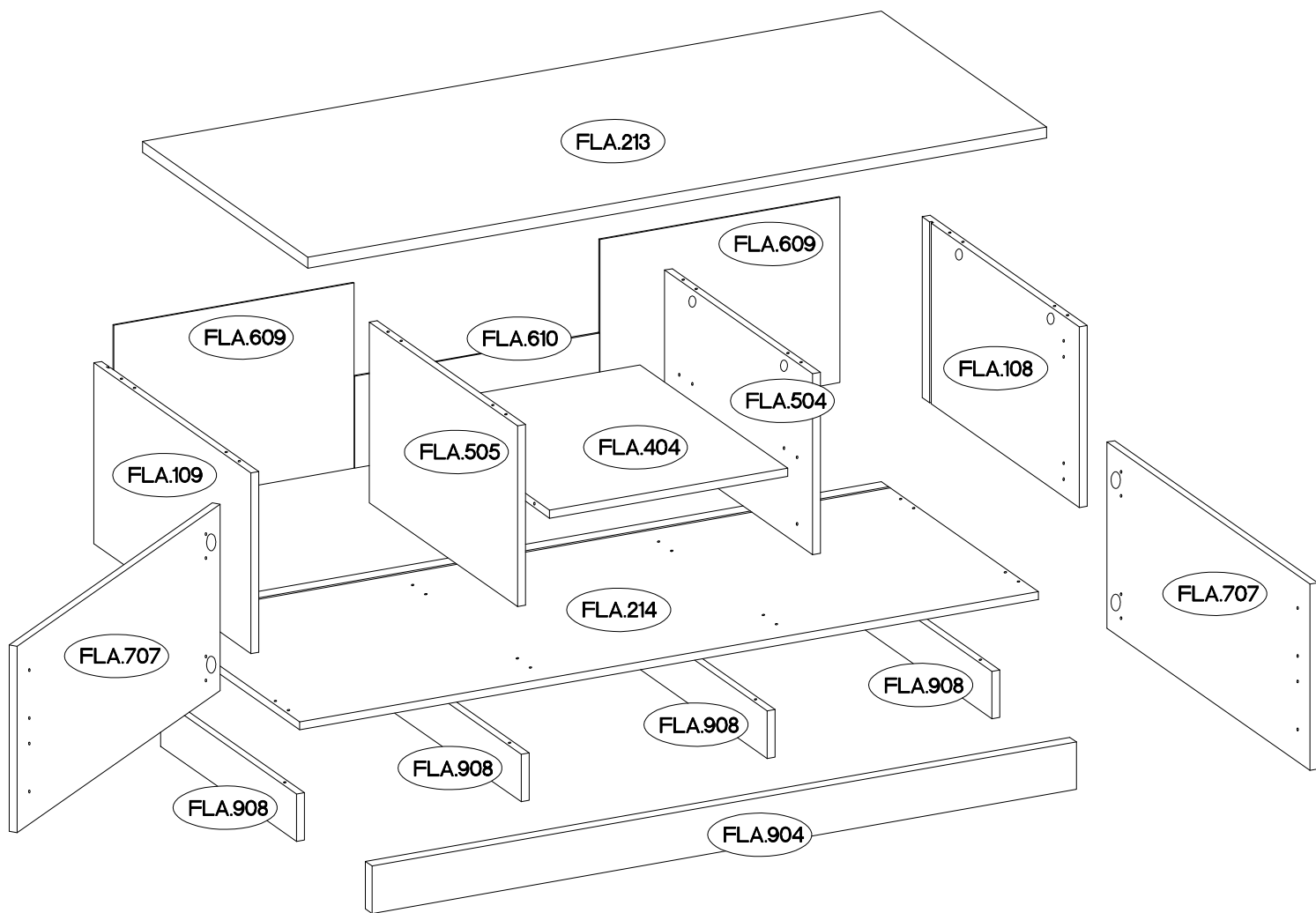


TYP 316



 A 32	 B 8	 B2 2	 C 12	 C5 2	 D2 14	 E 12				
 E1 4	 F4 2	 F22 8	 HG 4	 L 1	 R 18	 J14 6	 L 9	 L2 2	 M3 6	 O 1
 O1 1	 P1 14	 P5 8	 P7 12	 S 3	 T3 7	 U 6				

ISM-FLA-10



Colli	Ersatzteil Nummer	Dimension
Colli 1/2	FLA.108	362x384x16
	FLA.109	362x384x16
	FLA.213	1502x404x22
	FLA.214	1502x384x16
	FLA.404	484x361x16
	FLA.504	362x362x16
	FLA.505	362x362x16
	FLA.608	346x437x2.5
	FLA.609 x2	371x488x2.5
	FLA.610	498x184x2.5
	FLA.904	1432x95x16
	FLA.908 x4	332x95x16
	WST.0134	350x100x12
	WST.0164	350x100x12
WST.0152	427x100x12	

Colli	Ersatzteil Nummer	Dimension
Colli 2/2	FLA.707 x2	373x496x16
	FLA.708	189x496x16


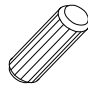



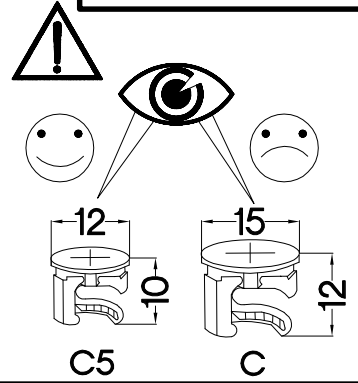
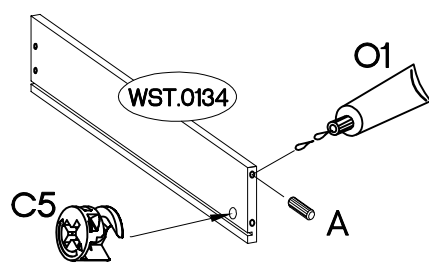
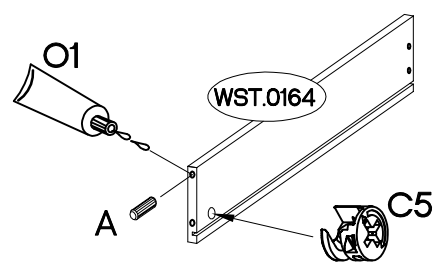
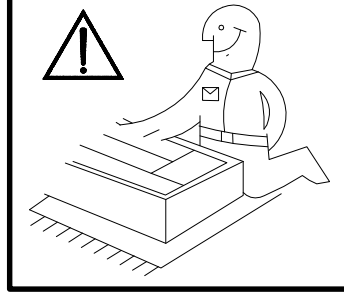
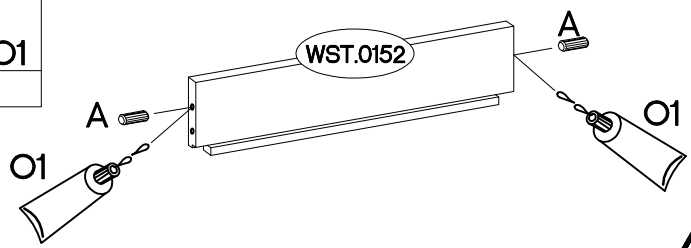
FLA.404





FLA.608

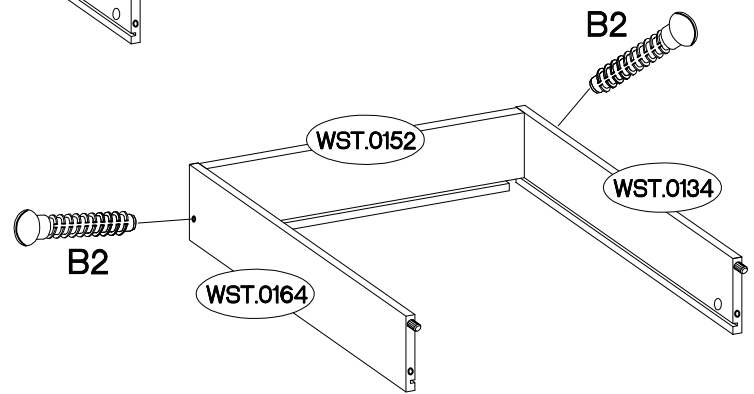
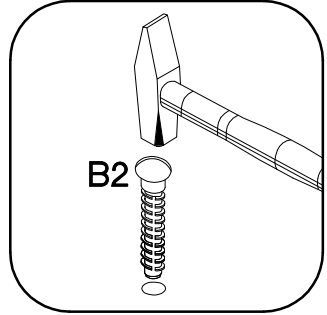
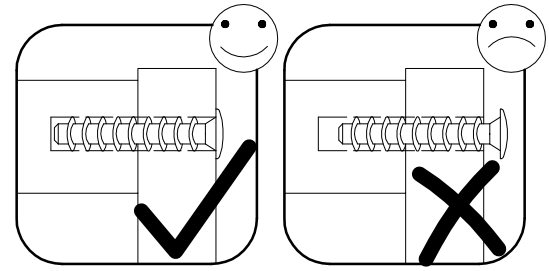
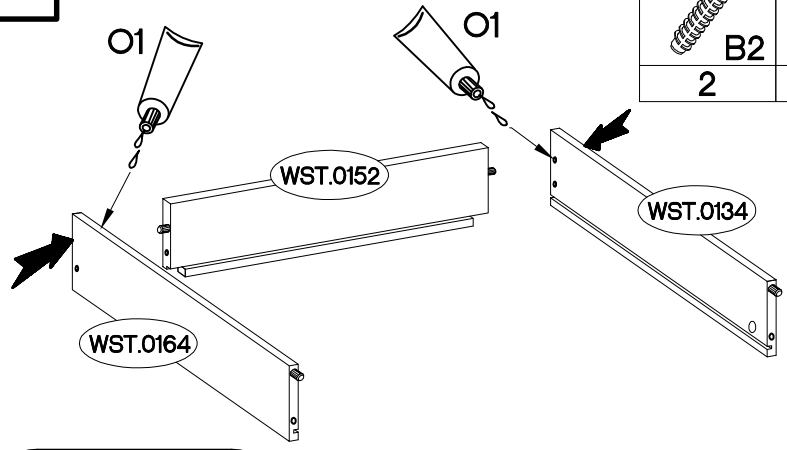
1

±12/10mm  C5 2	±8x30mm  A 4	 O1 1
---	---	---

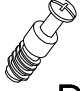


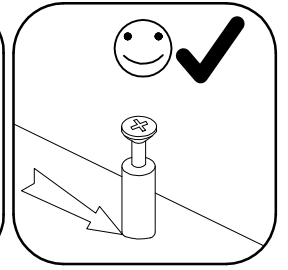
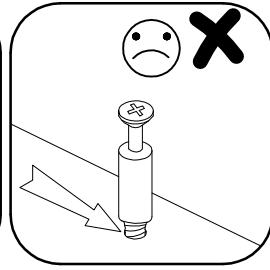
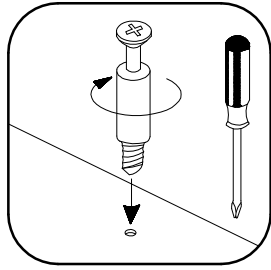
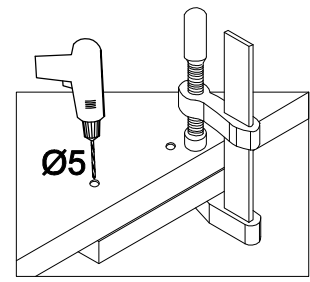
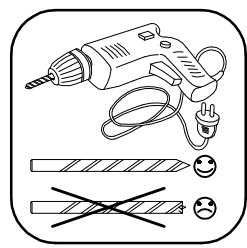
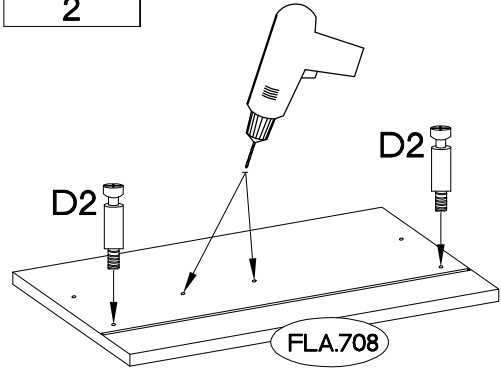
2

±6x42mm  B2 2	 O1 1
---	--

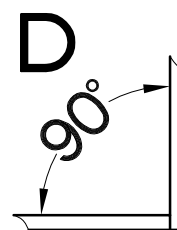
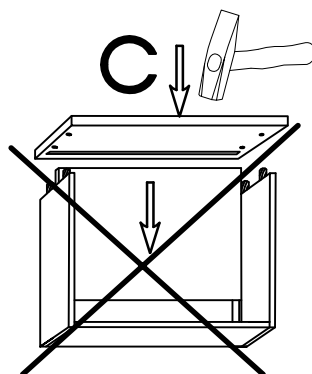
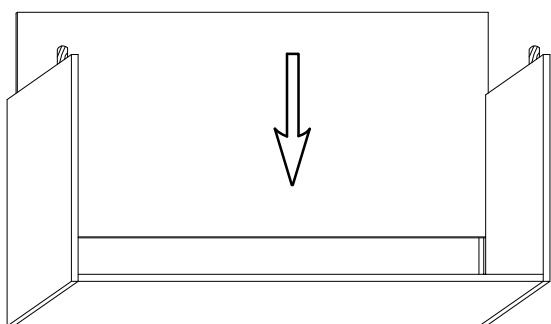
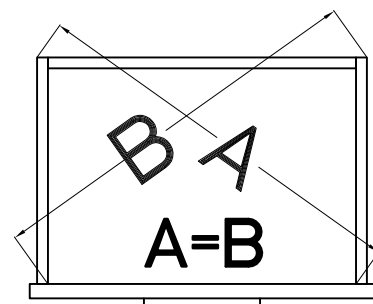
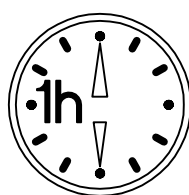
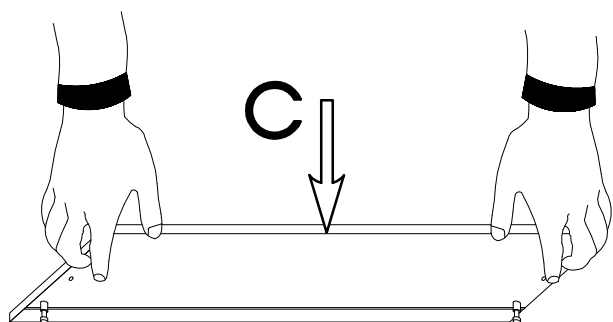
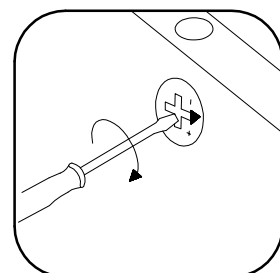
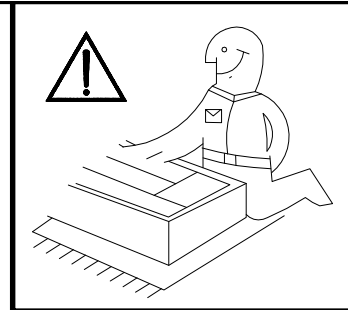
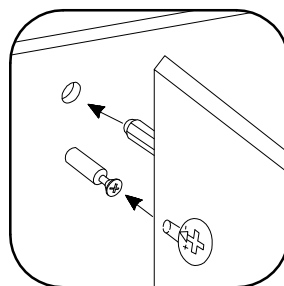
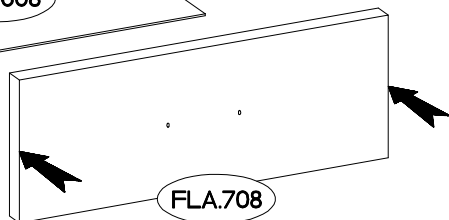
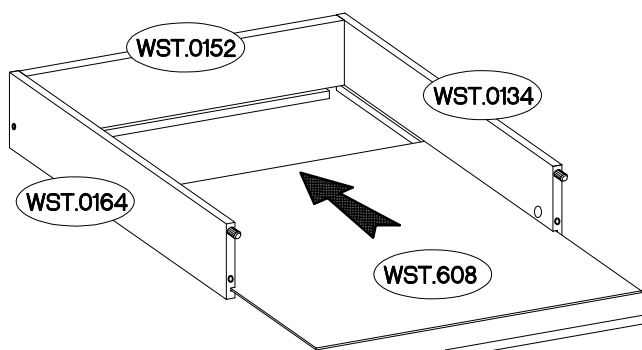


3

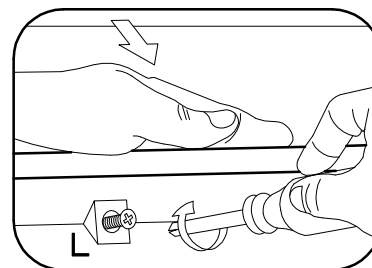
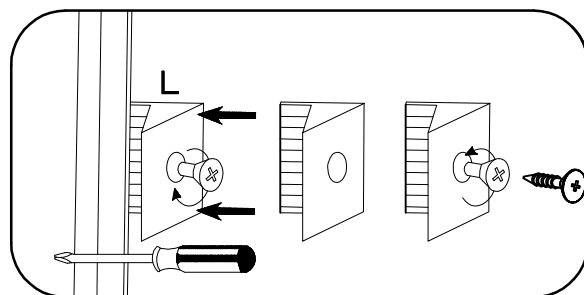
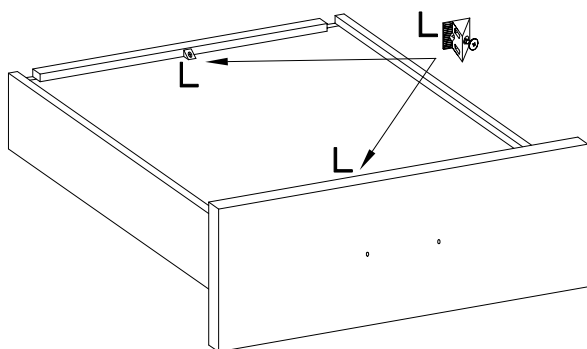
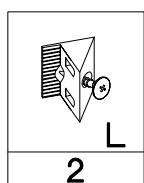
L=20mm  D2 2
--

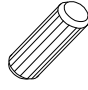

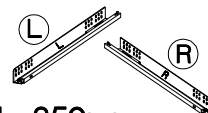

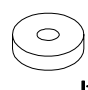



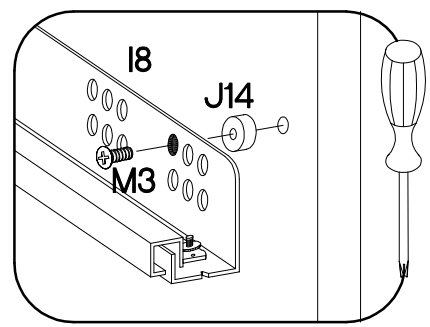
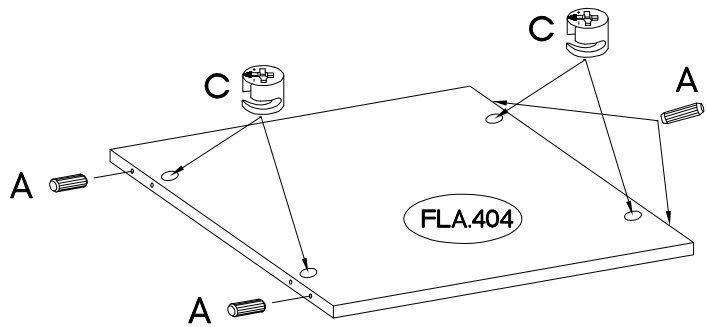
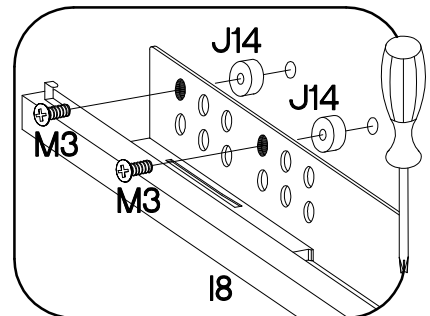
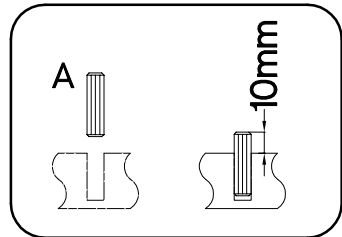
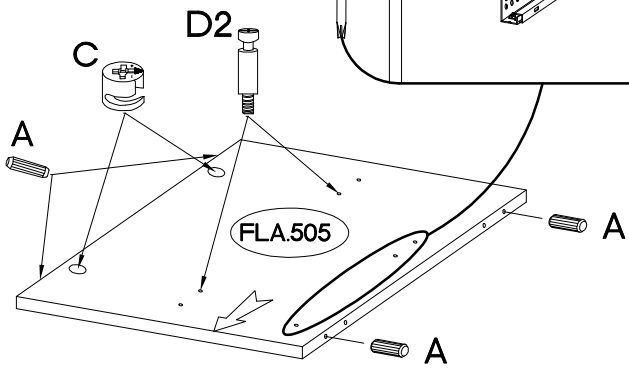
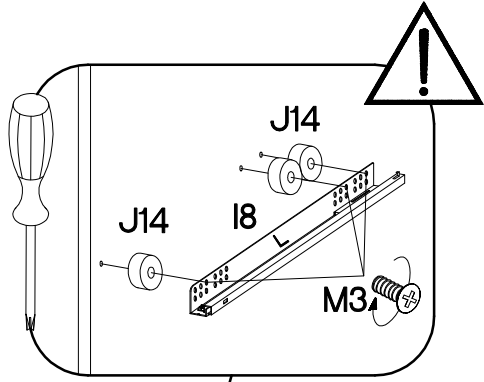
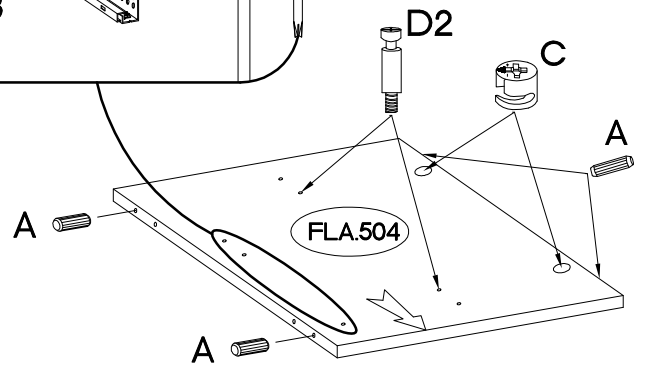
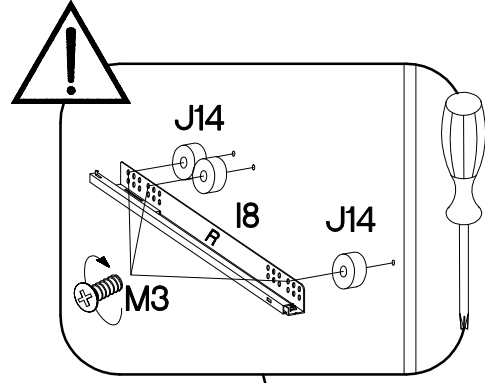
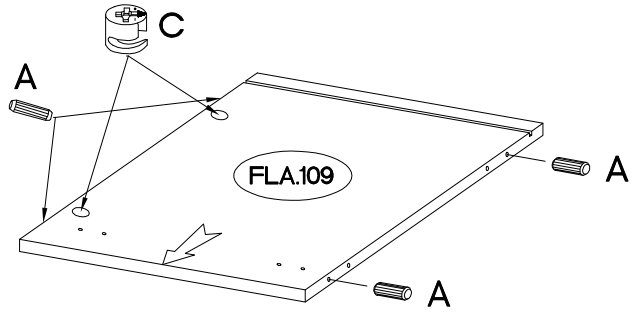
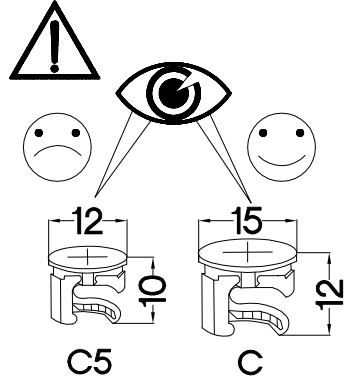
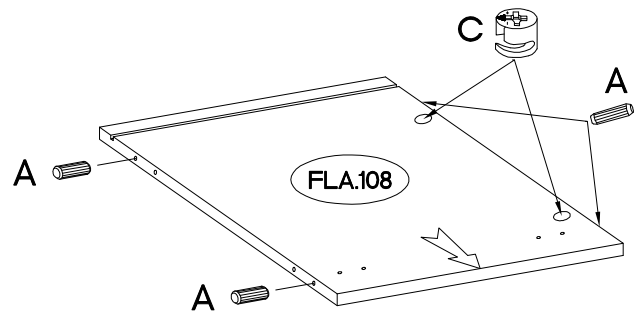
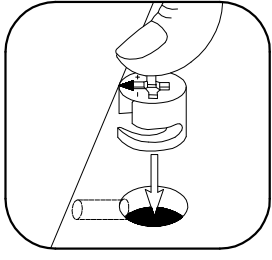
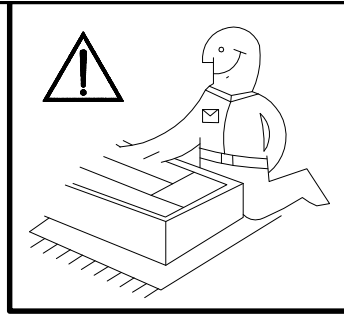
4



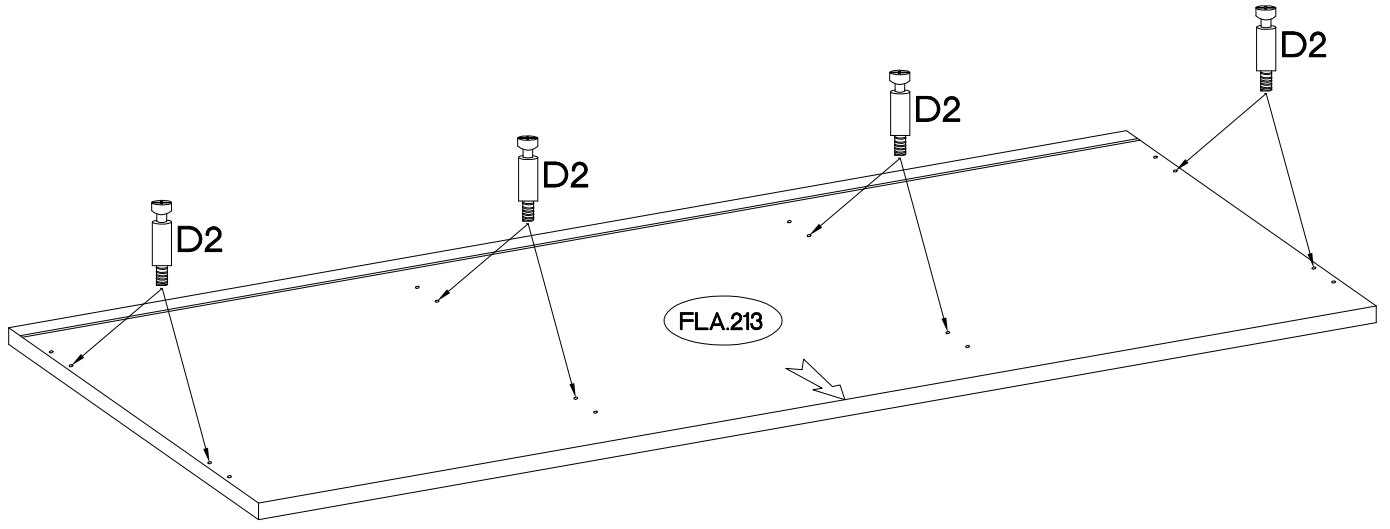
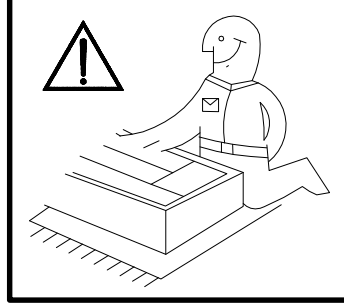
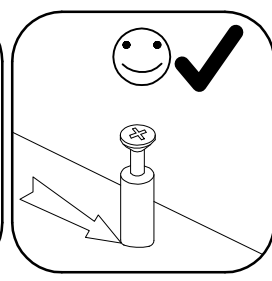
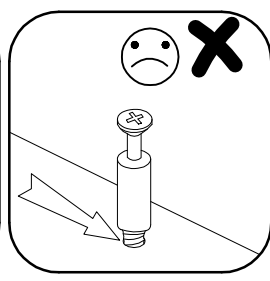
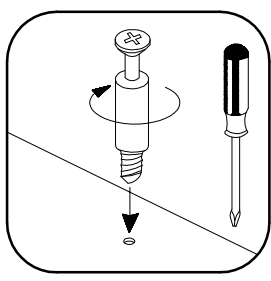
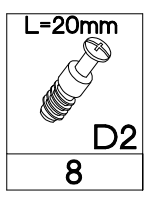
5



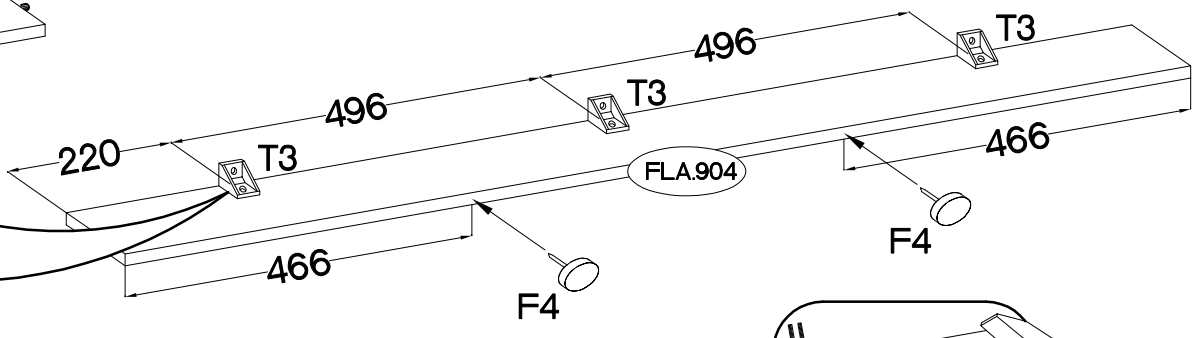
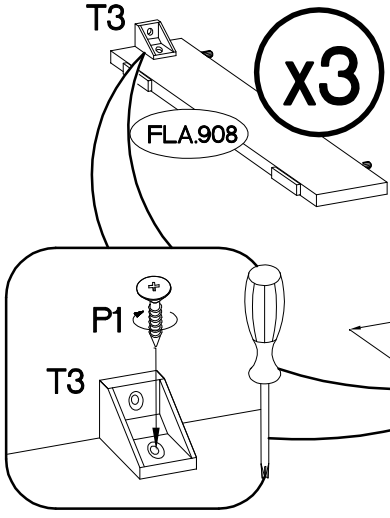
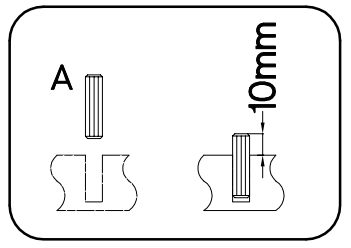
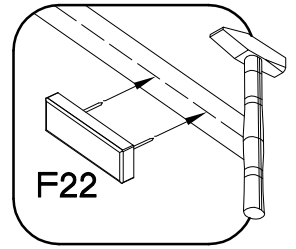
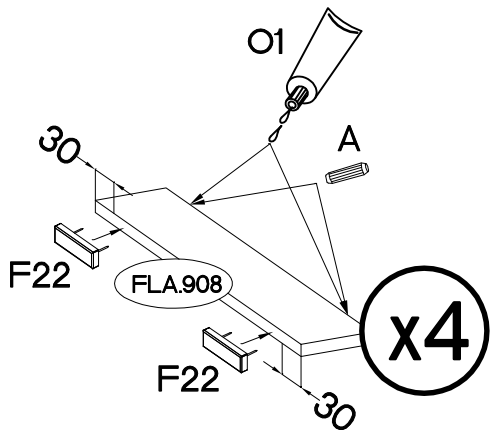
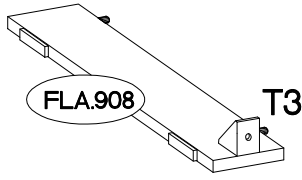
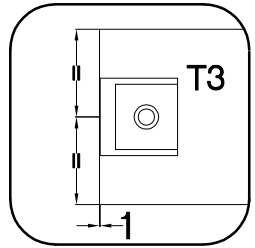
+8x30mm  A 20	+15/12mm  C 12	L=350mm  I8 1	+6.3x20mm  M3 6	+20/8mm  J14 6	L=20mm  D2 4
--	---	--	--	---	--



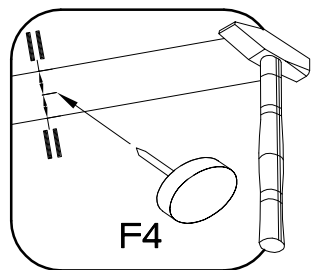
7



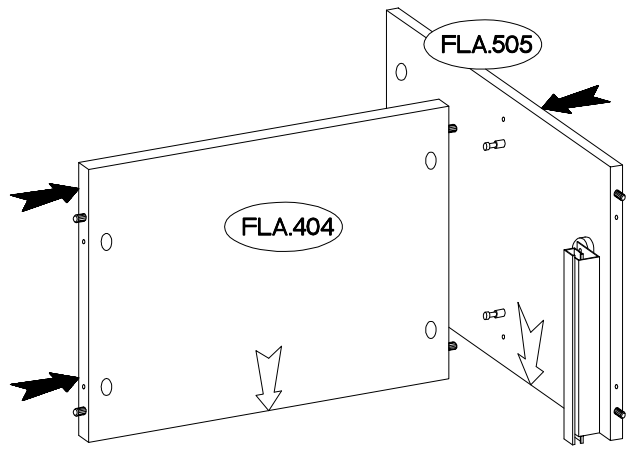
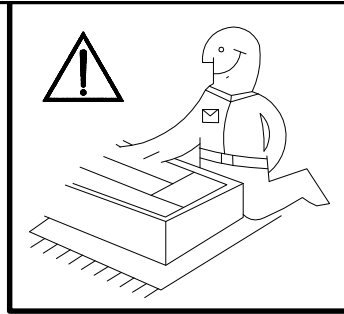
8



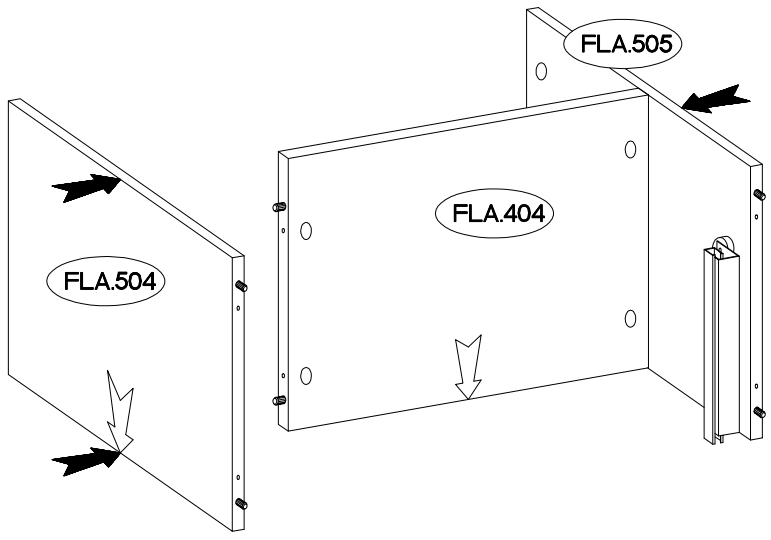
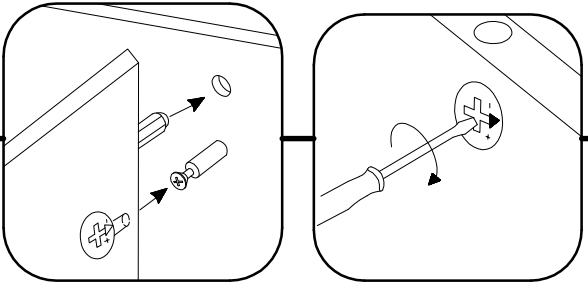
T3	P1	F22	F4	O1	A
7	7	8	2	1	8

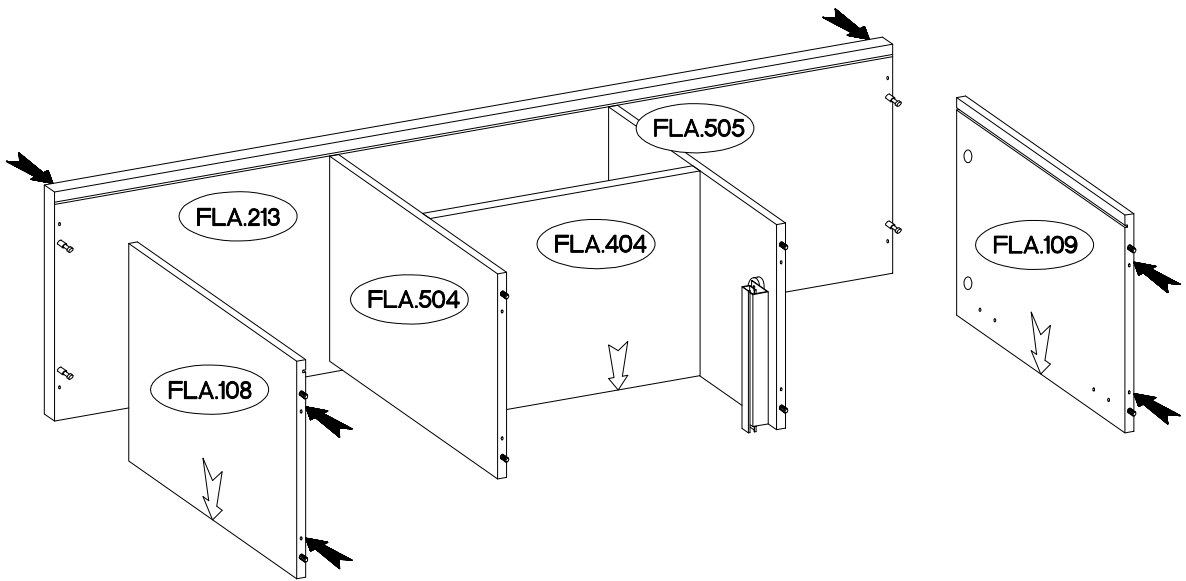
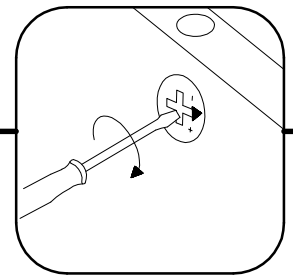
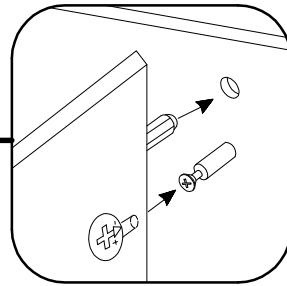
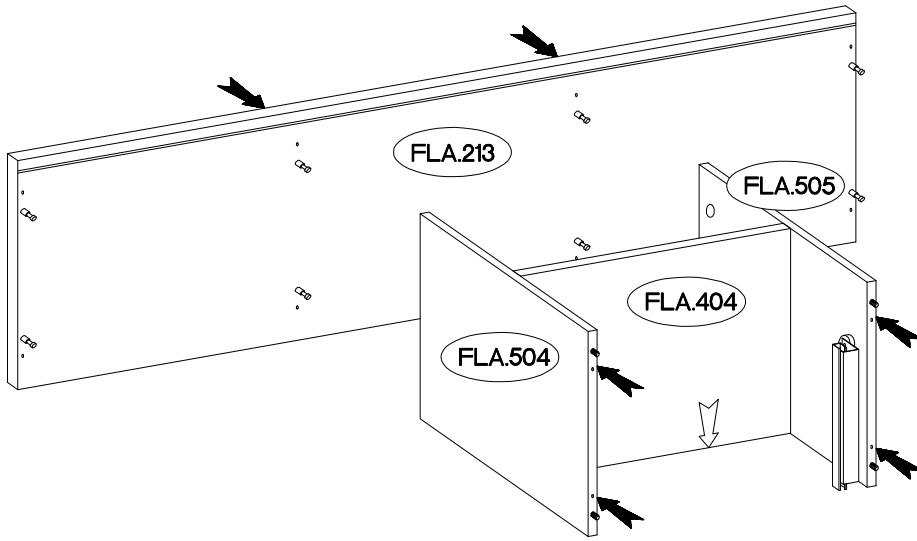
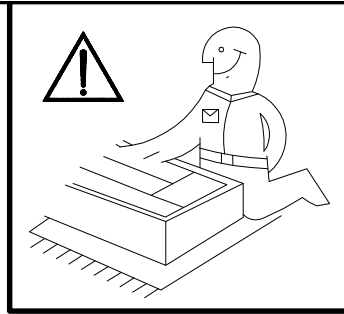


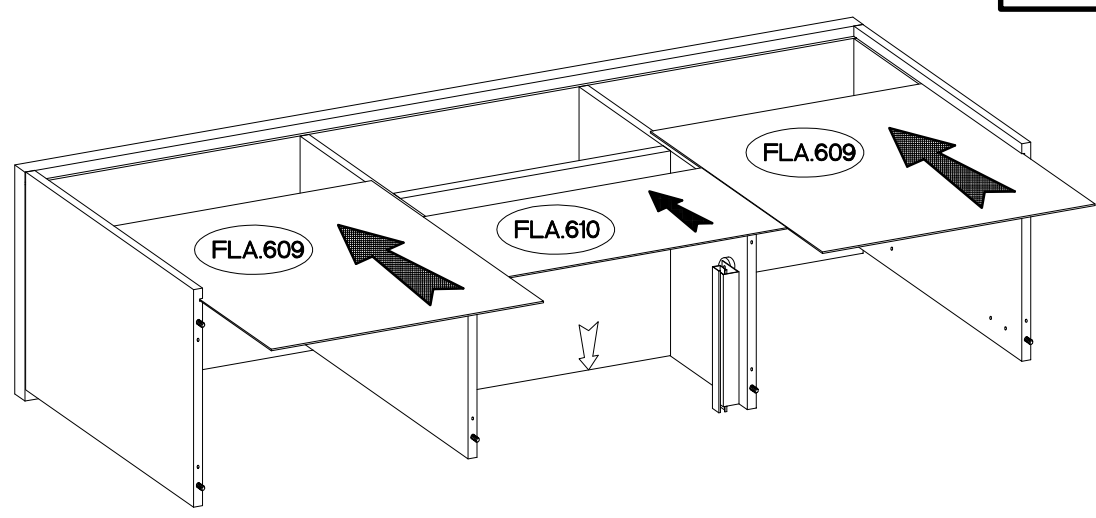
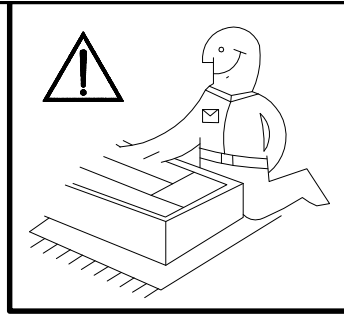
9


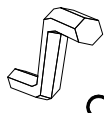



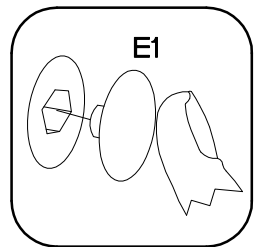
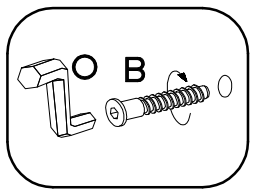
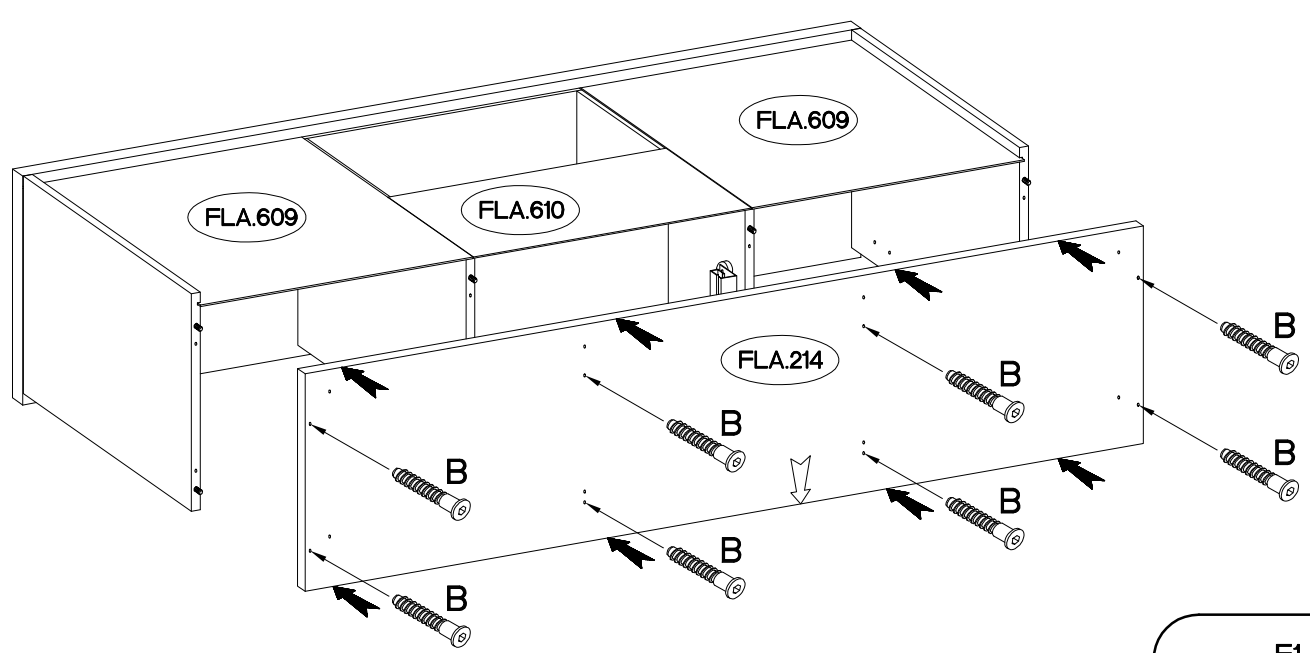
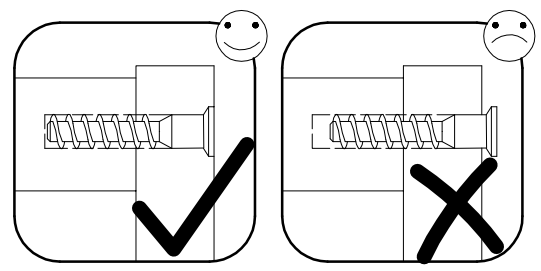
10



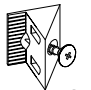

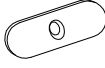


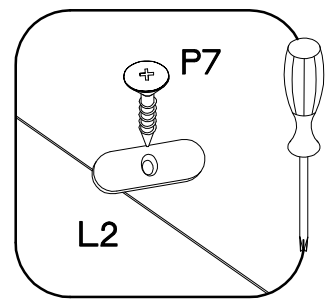
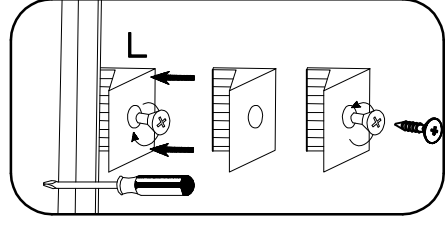
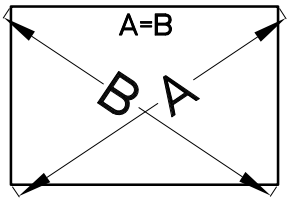
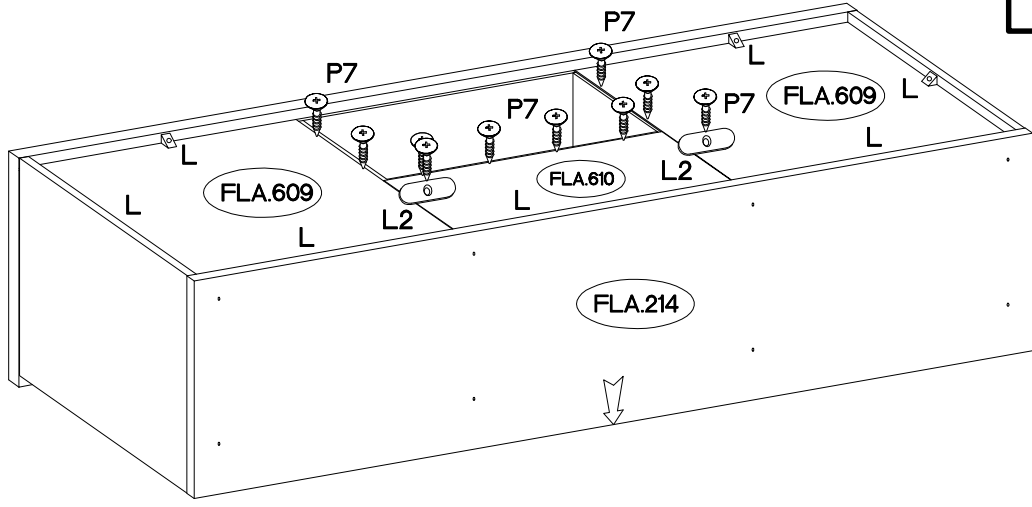
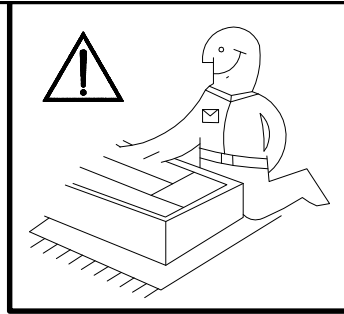


6,4 x 50mm		
		
B	O	E1
8	1	4




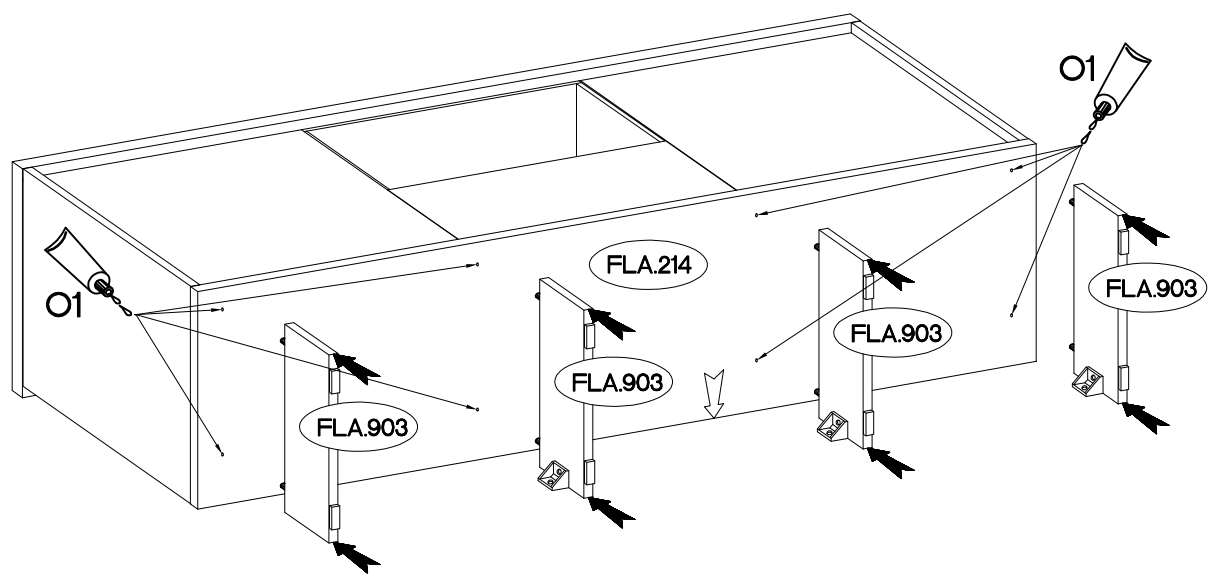
14

		
L	P7	L2
7	8-10	2




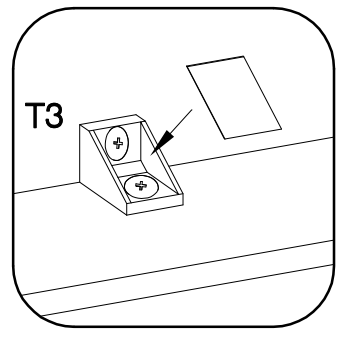
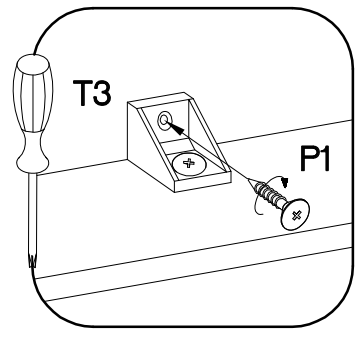
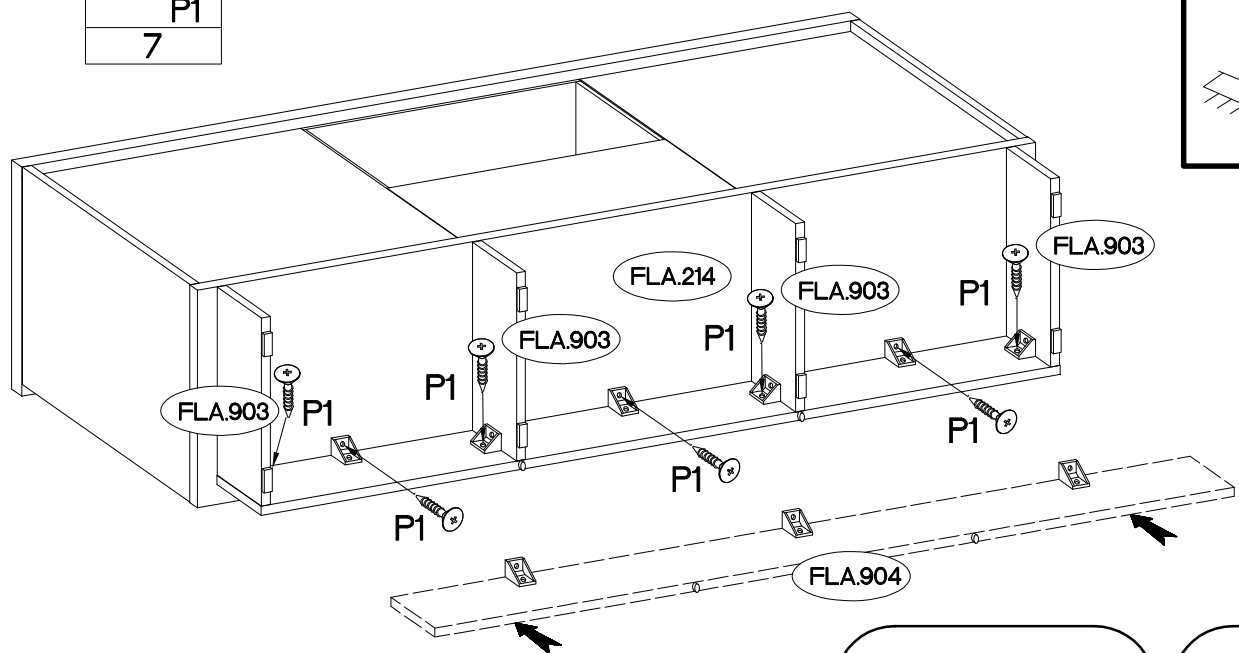
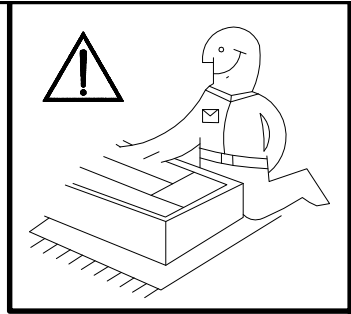
15


O1
1

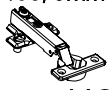



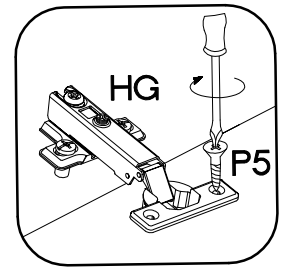
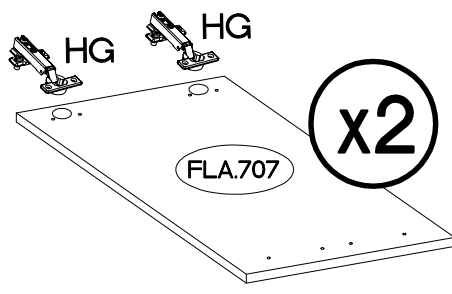
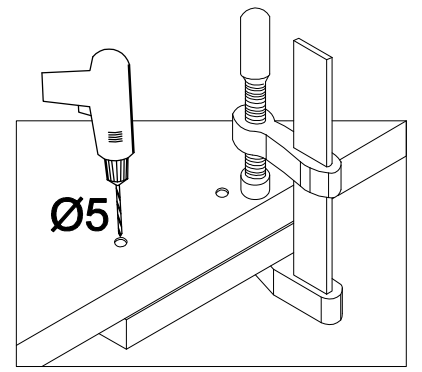
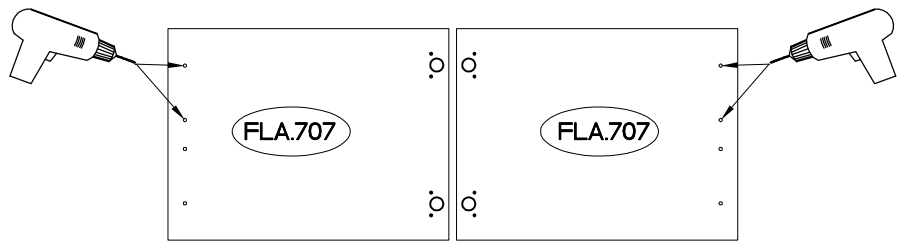
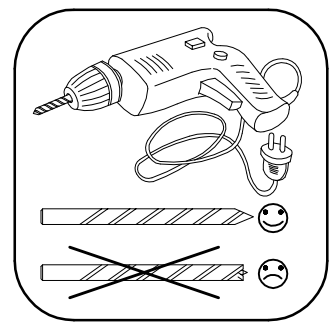
16

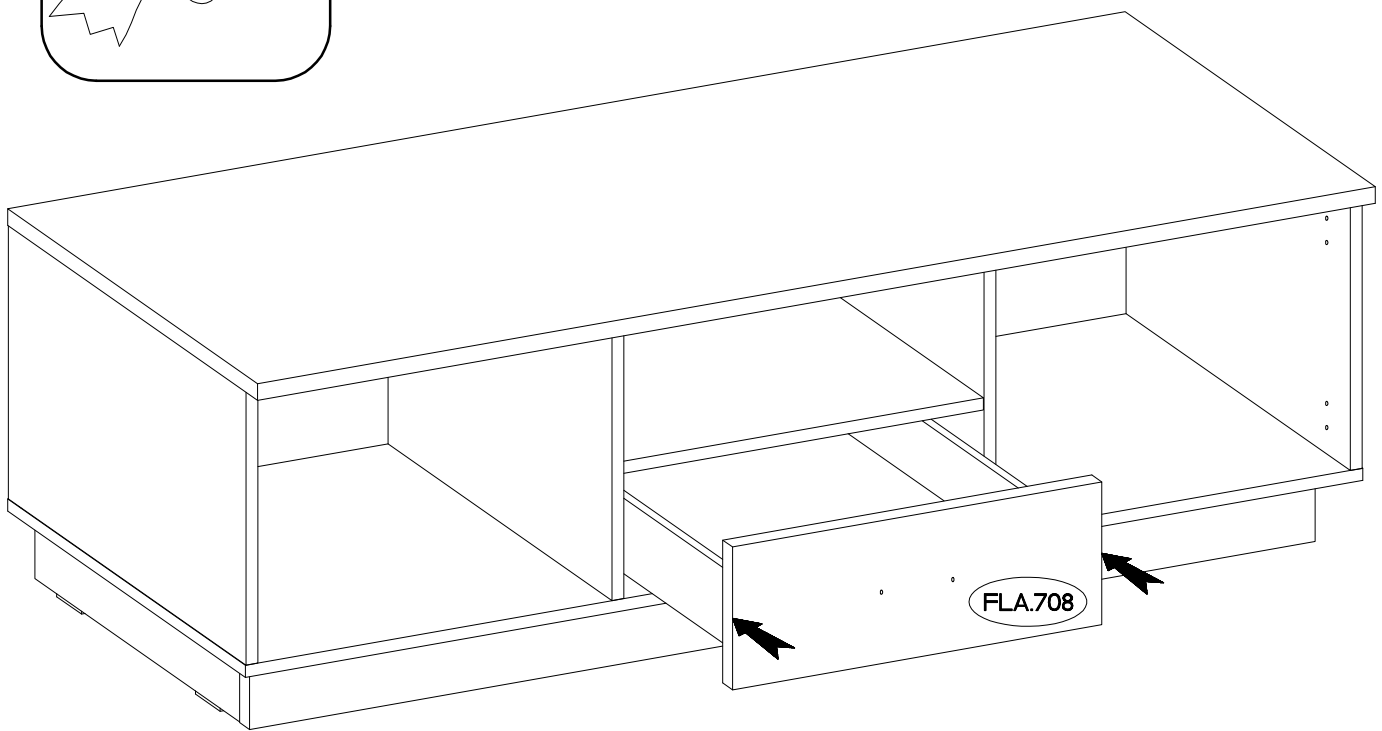
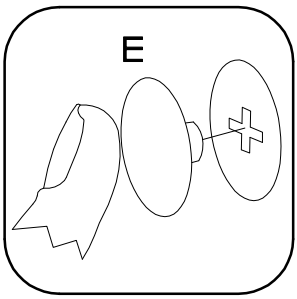
$\varnothing 4.0 \times 16 \text{mm}$  P1 7
--



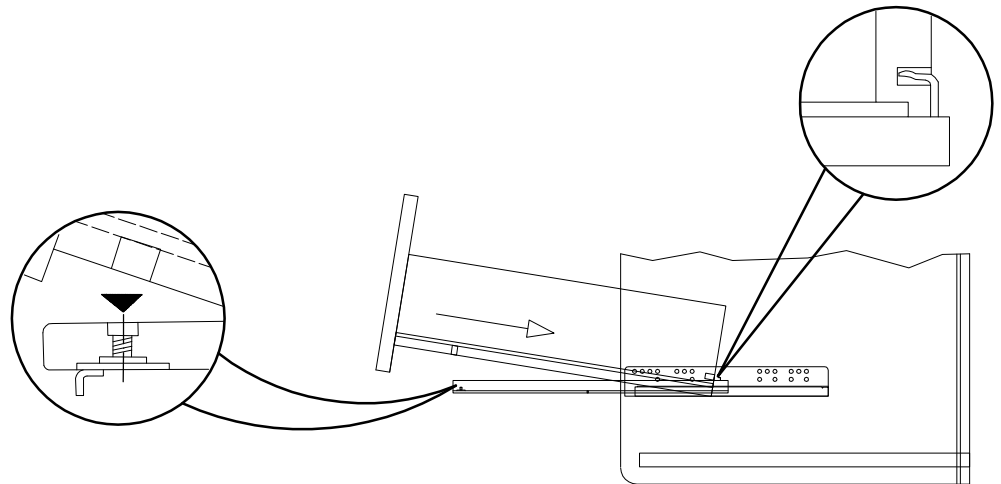
17

$\varnothing 35/0 \text{mm}$  HG 4	$\varnothing 3.5 \times 13 \text{mm}$  P5 8
--	---

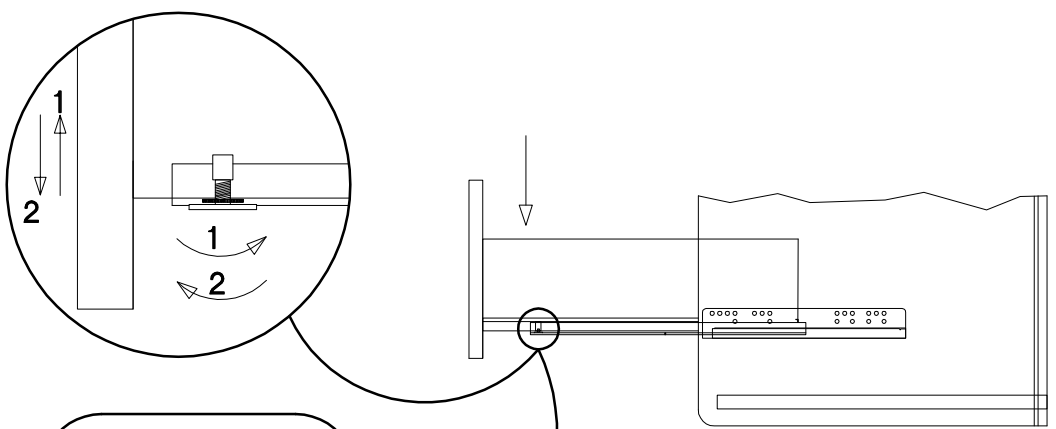




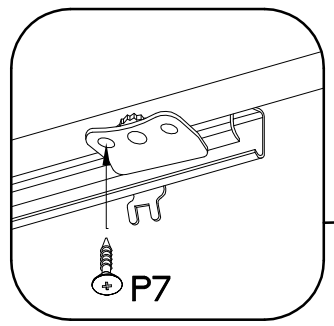
1.




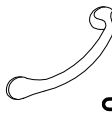
2.



3.



	†3.0x20mm
E	P7
12	2

M4x22mm	
	
U	S
6	3

