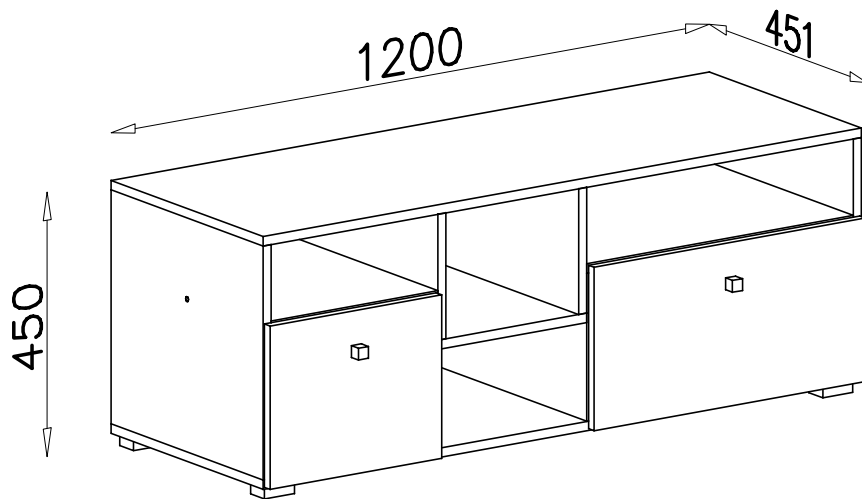
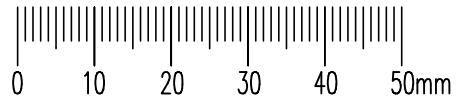
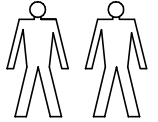
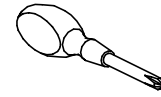
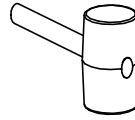
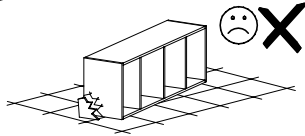
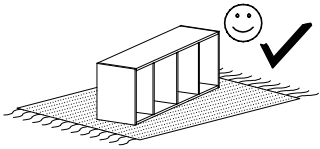
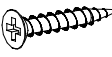

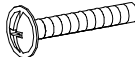
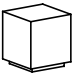

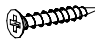

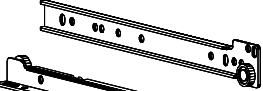


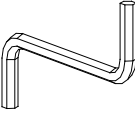
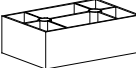
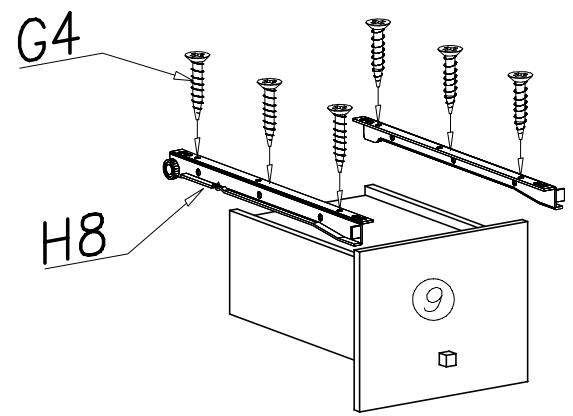
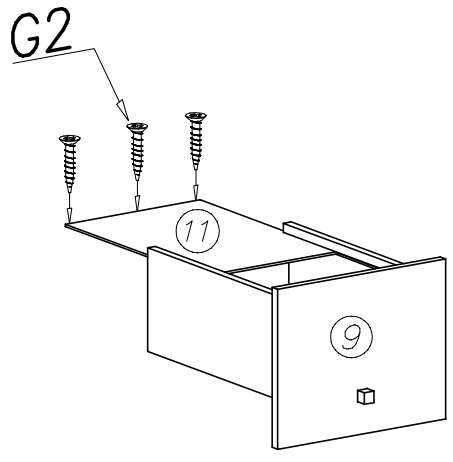
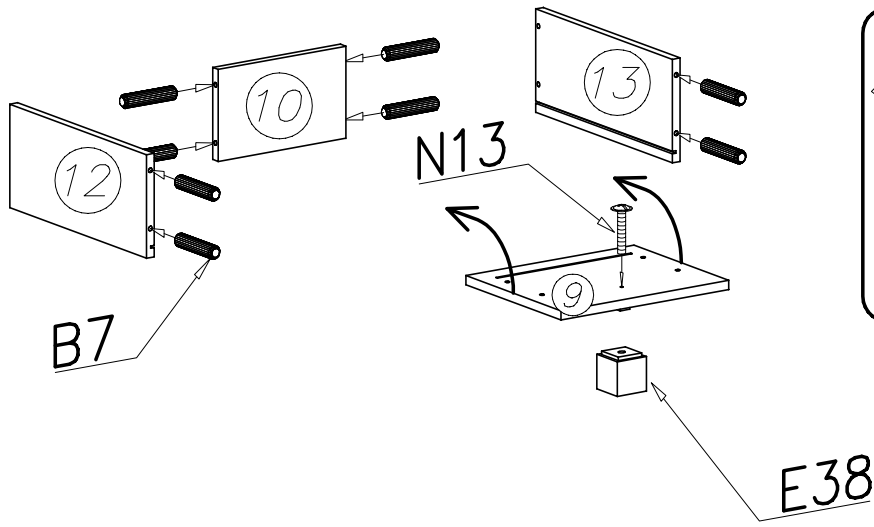


SIGMA S19

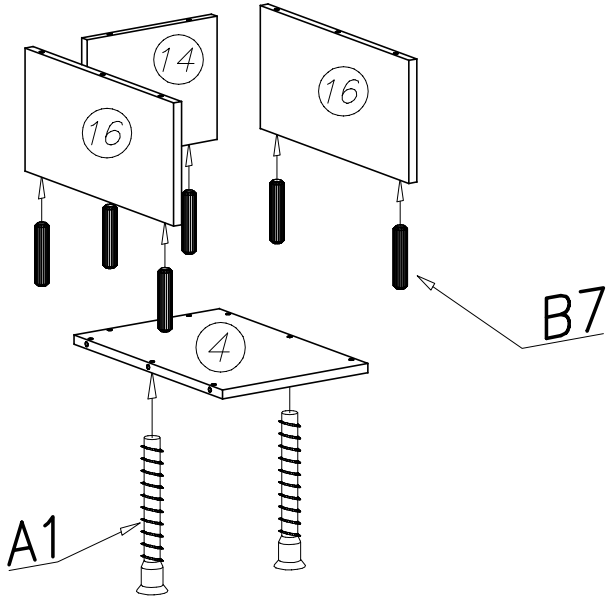
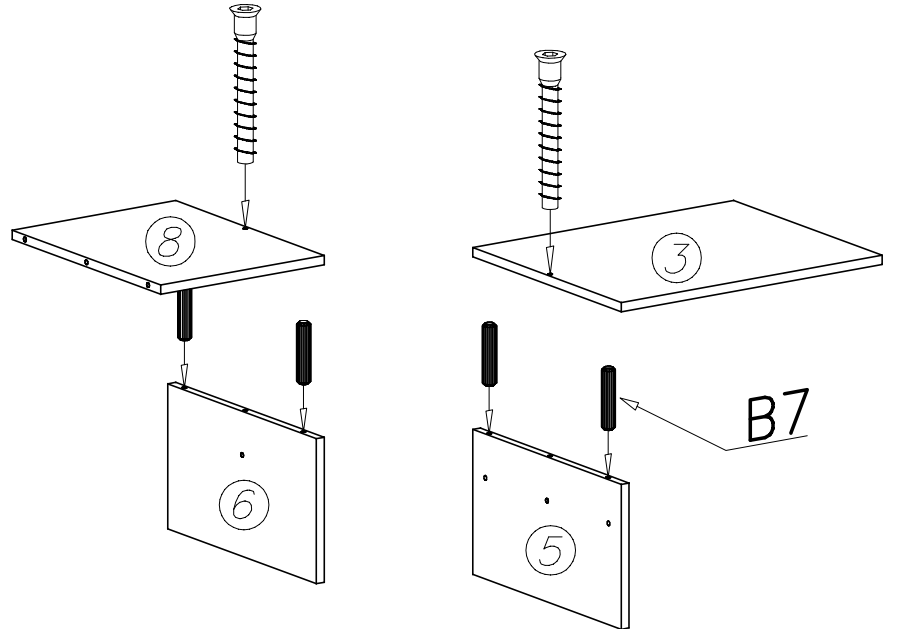


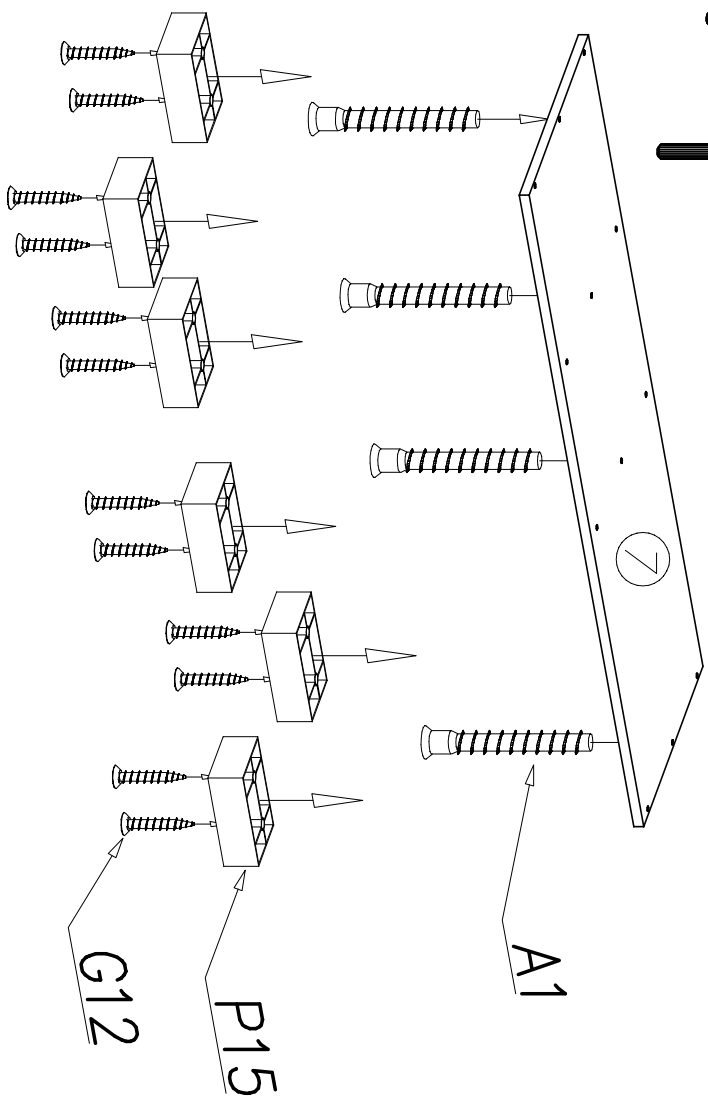
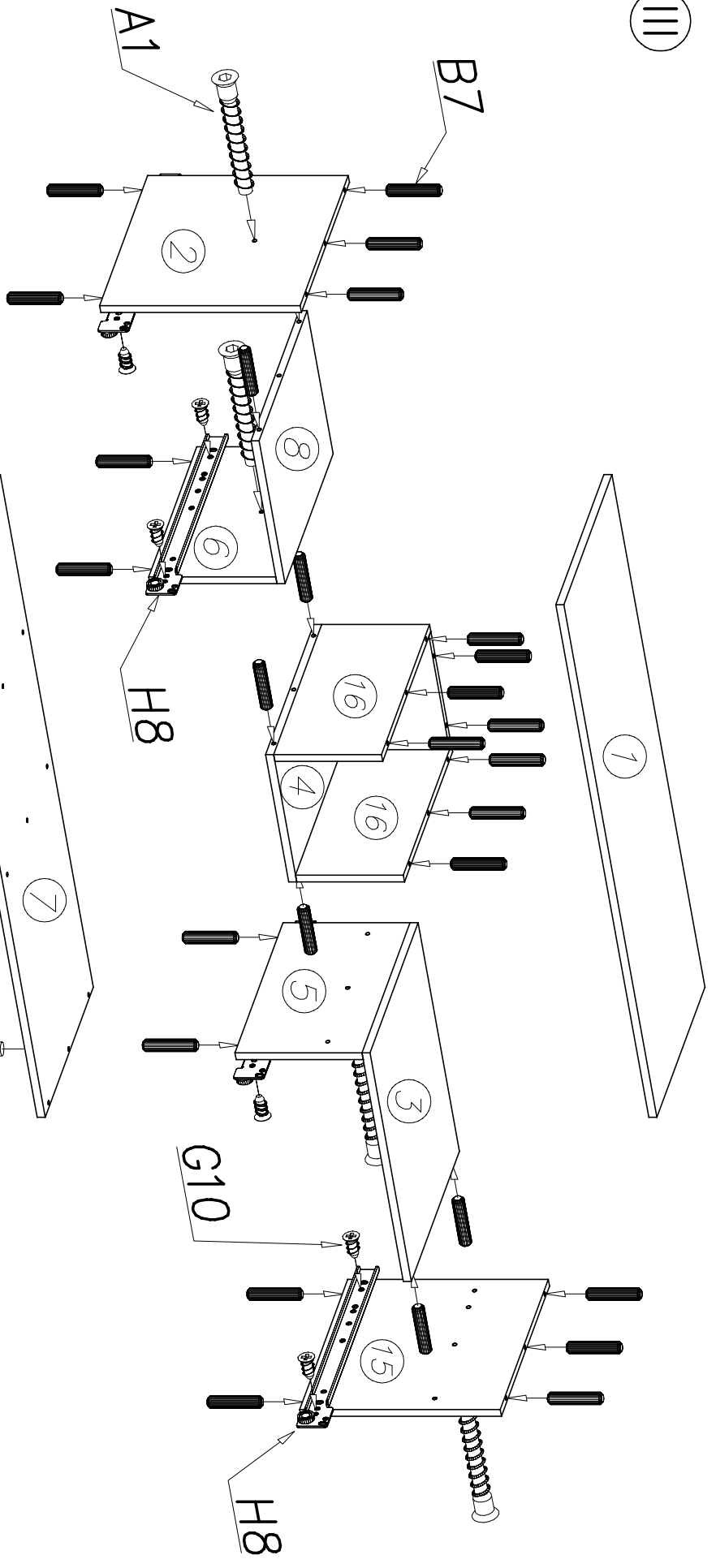
G12  3,5x25 x12	W1  GLUE, LEIM, LEPIDLO, LIM x3	N13  M4x22 x2		
E38  x2	G4  4x16 x12	G2  3x20 x35	G10  6x13 x8	H8  400mm x2
A1  ø7x50 x12	B7  ø8x30 x56	W2  x1	P15  x6	

I

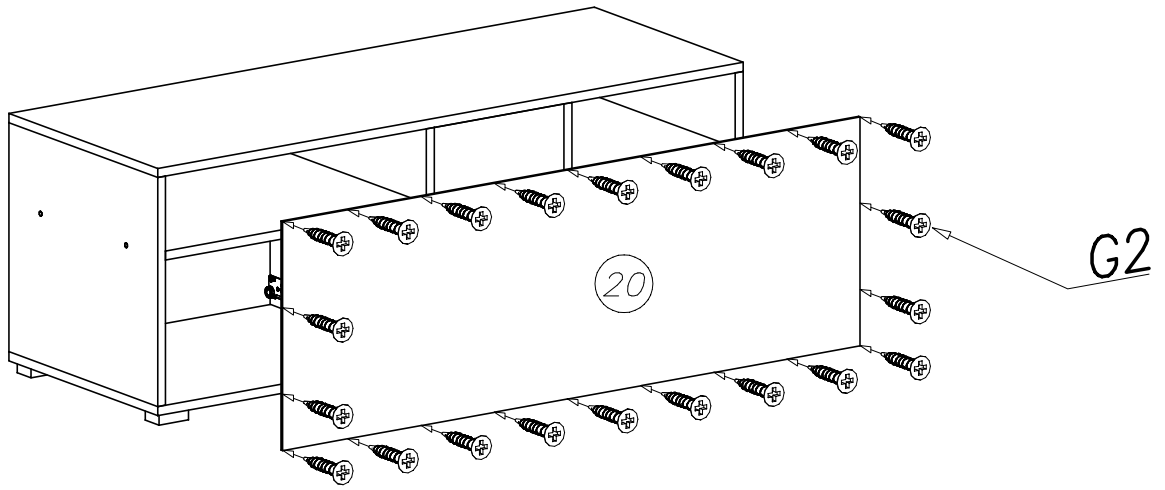


II

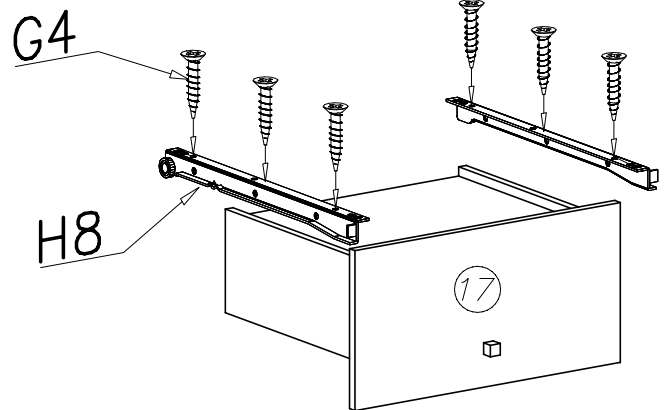
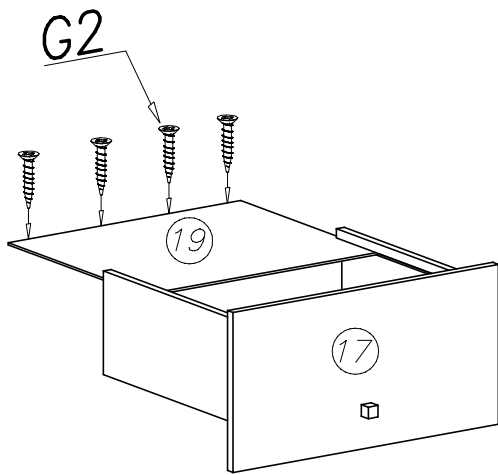
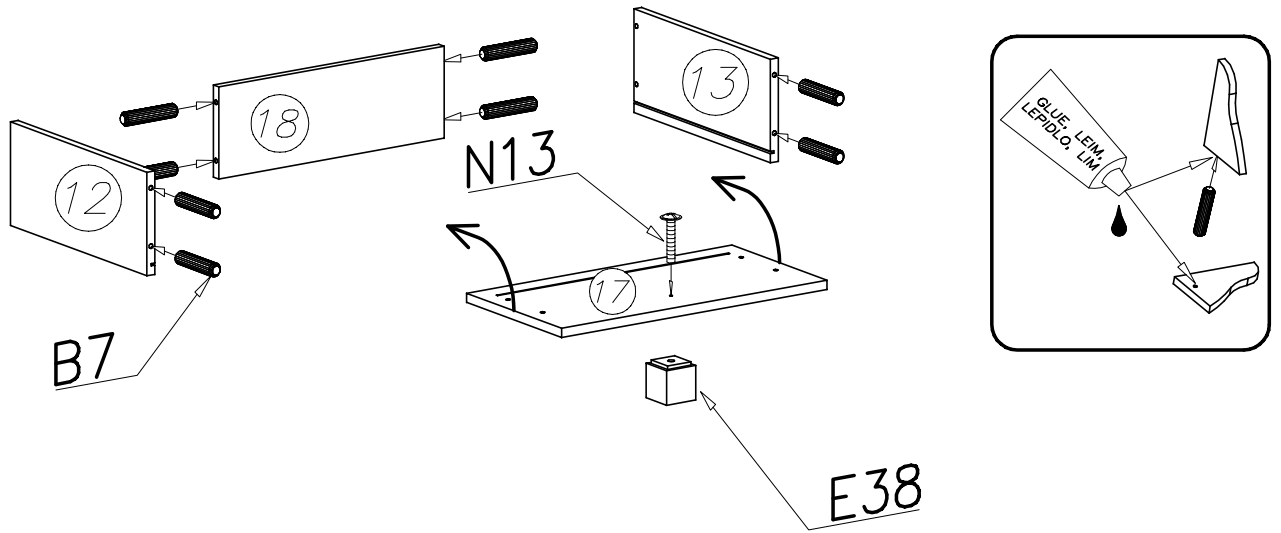




IV



V



VI

