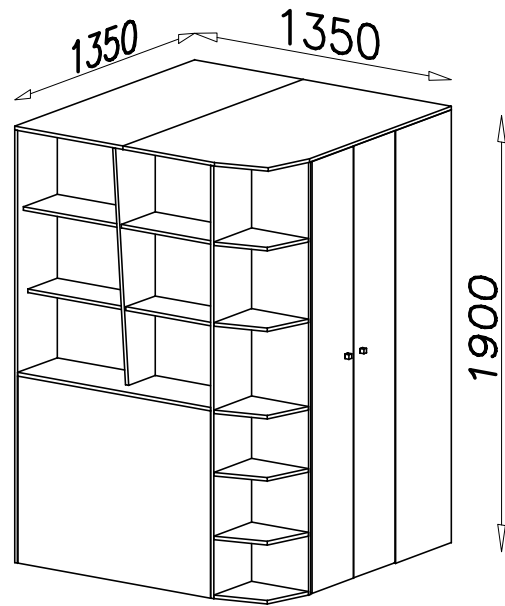
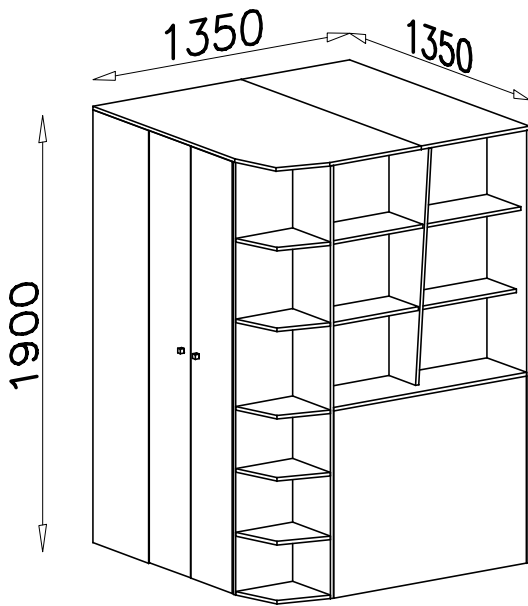
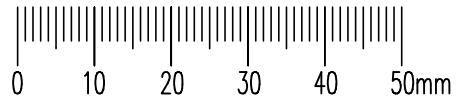
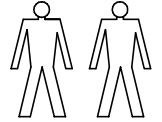
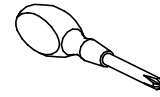
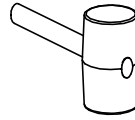
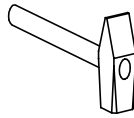
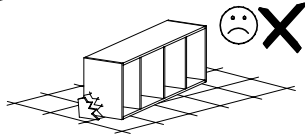
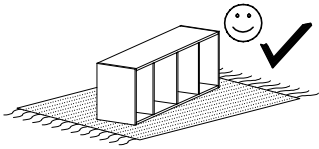
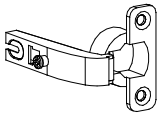

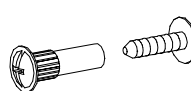

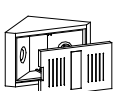

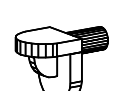
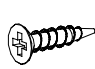
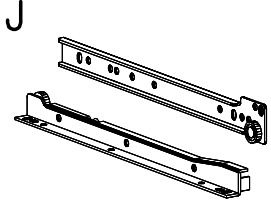

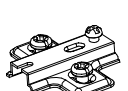
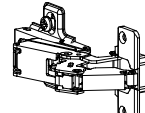
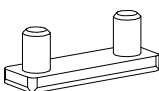
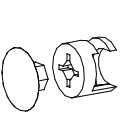

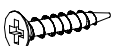
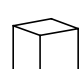
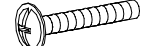

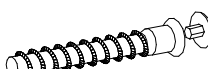

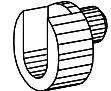
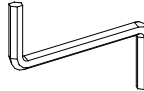

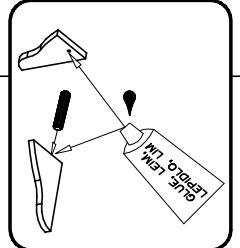
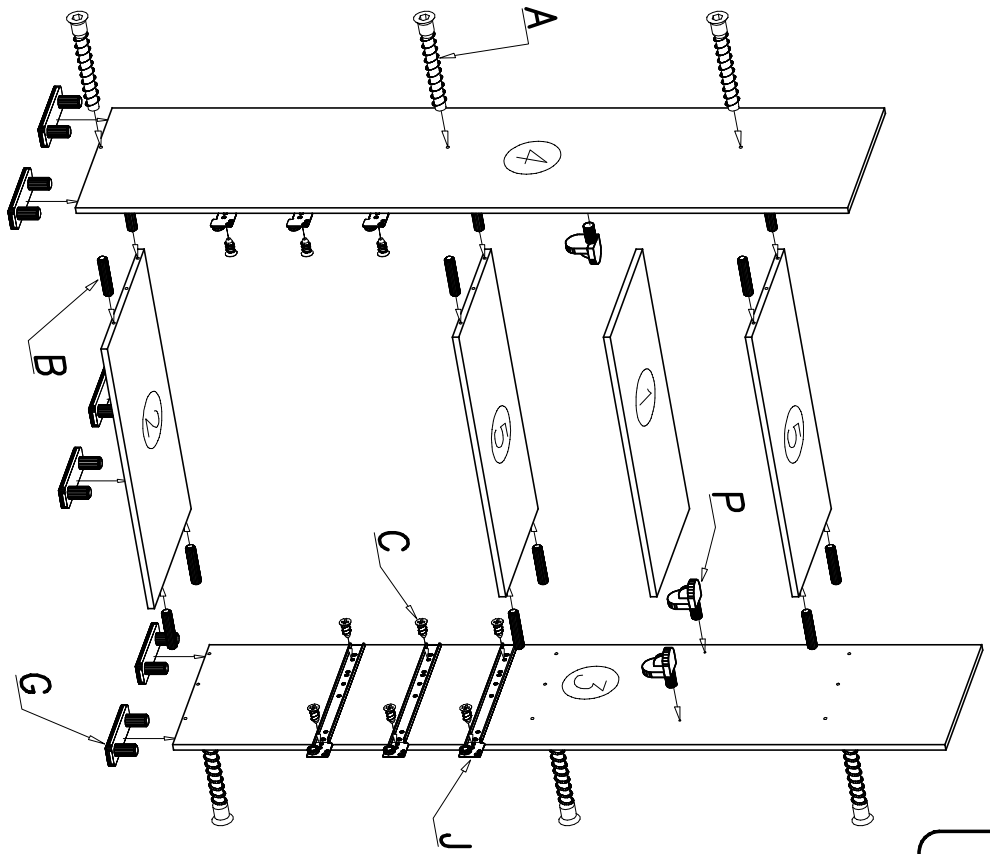


DELTA DL1L/P

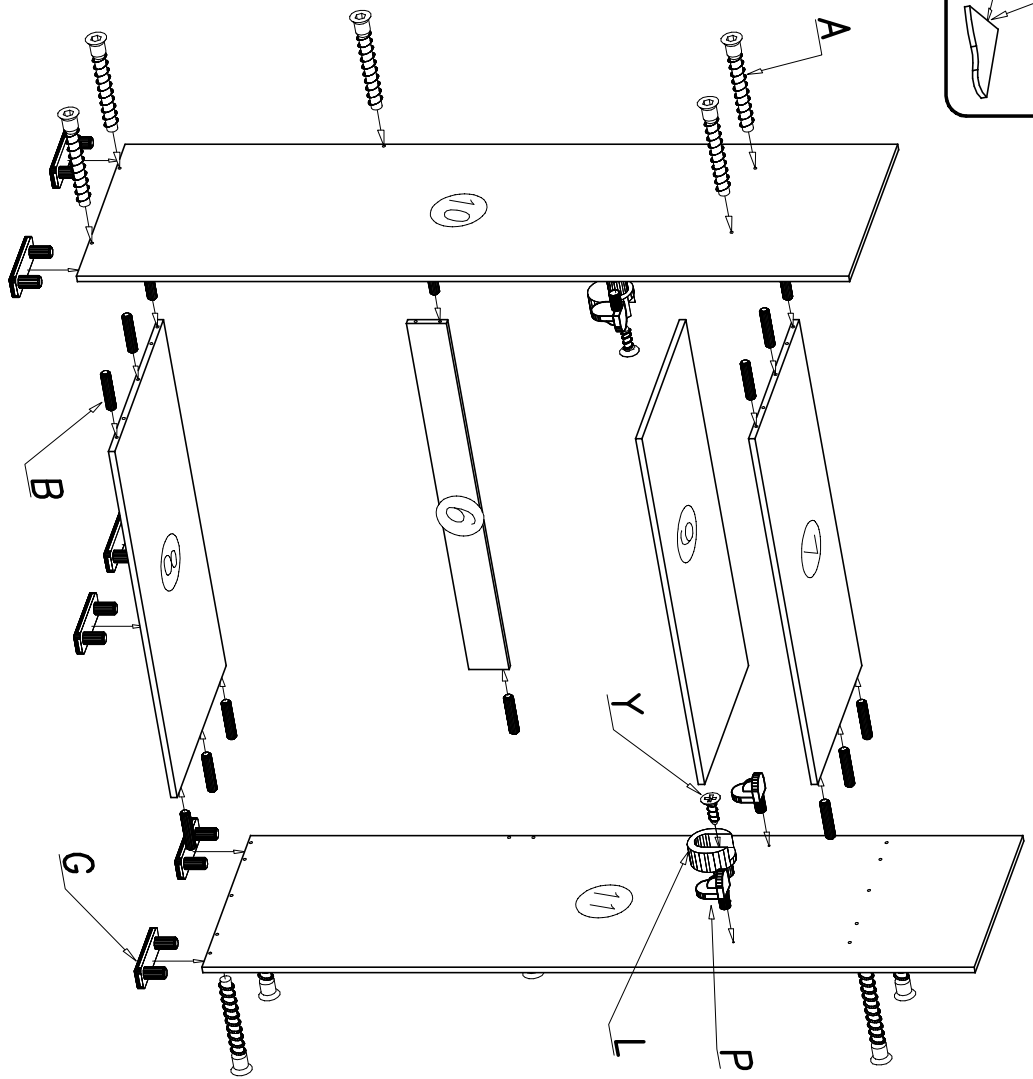


M  x3	H  1860mm x2	V  x2	X  1,6x16 x40	Q  x1
Y  3x13 x2	P  x18	T  4x16 x32	J  35cm x3	C  6x13 x12
F  x3	D  x3	G  x22	K  x8	
W  GLUE KLEJ x7	E  3x20 x150	U  x2	N  M4x22 x2	R  x4
A  x54	B  x138	L  x2	Z  x1	S  1004mm x1

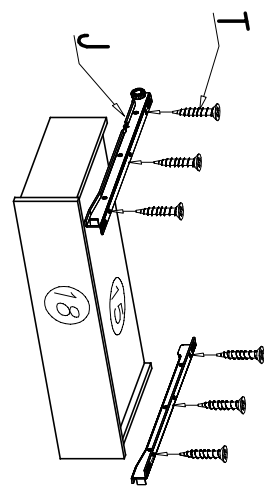
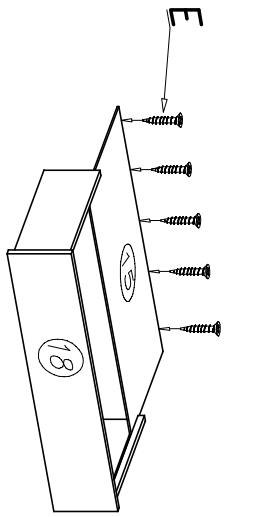
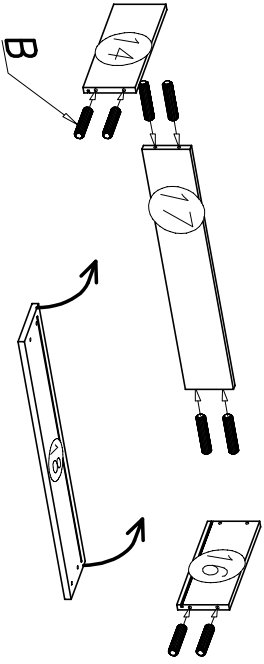
I



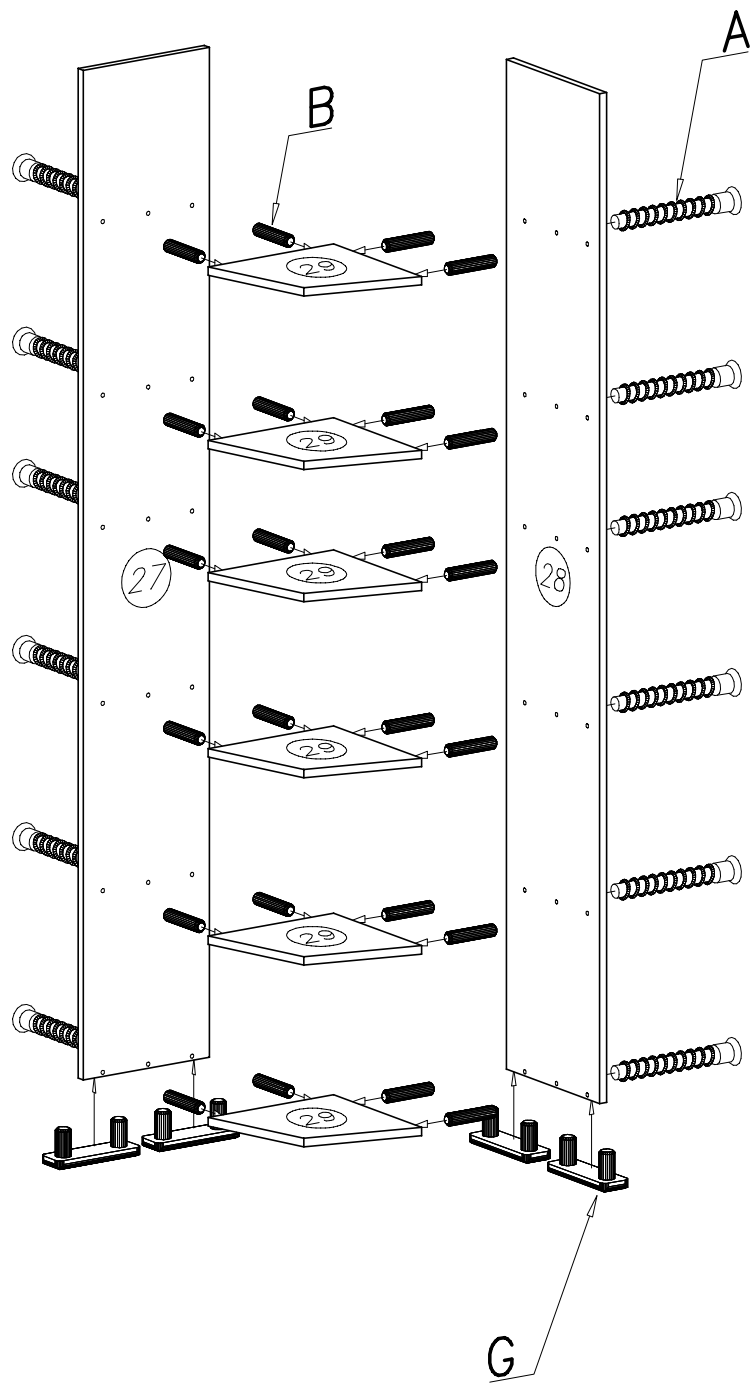
II



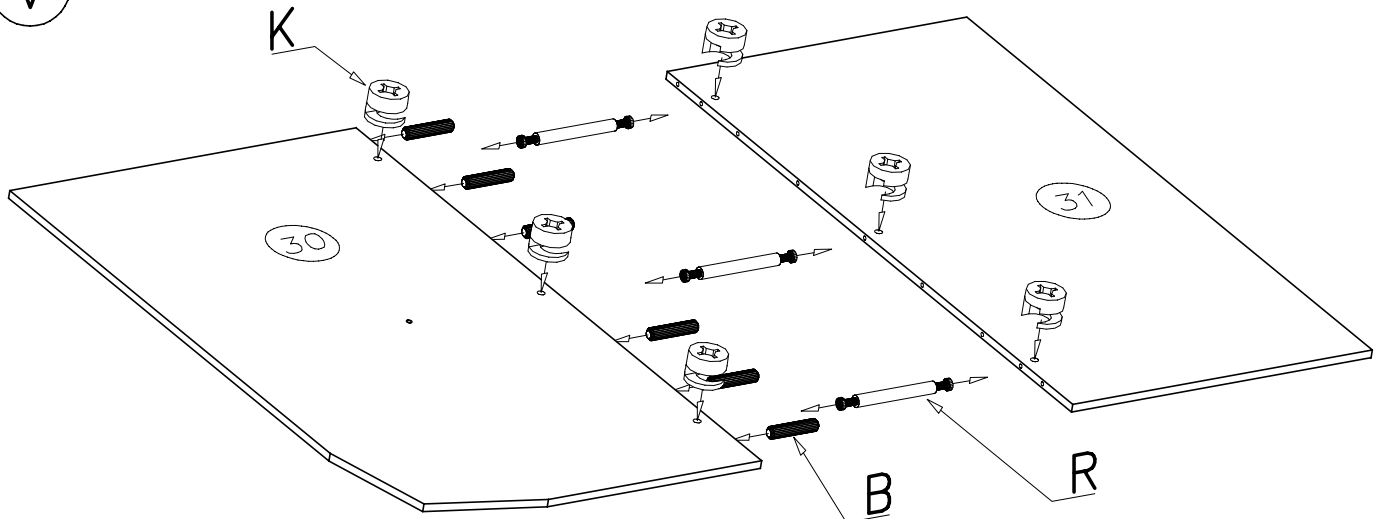
III



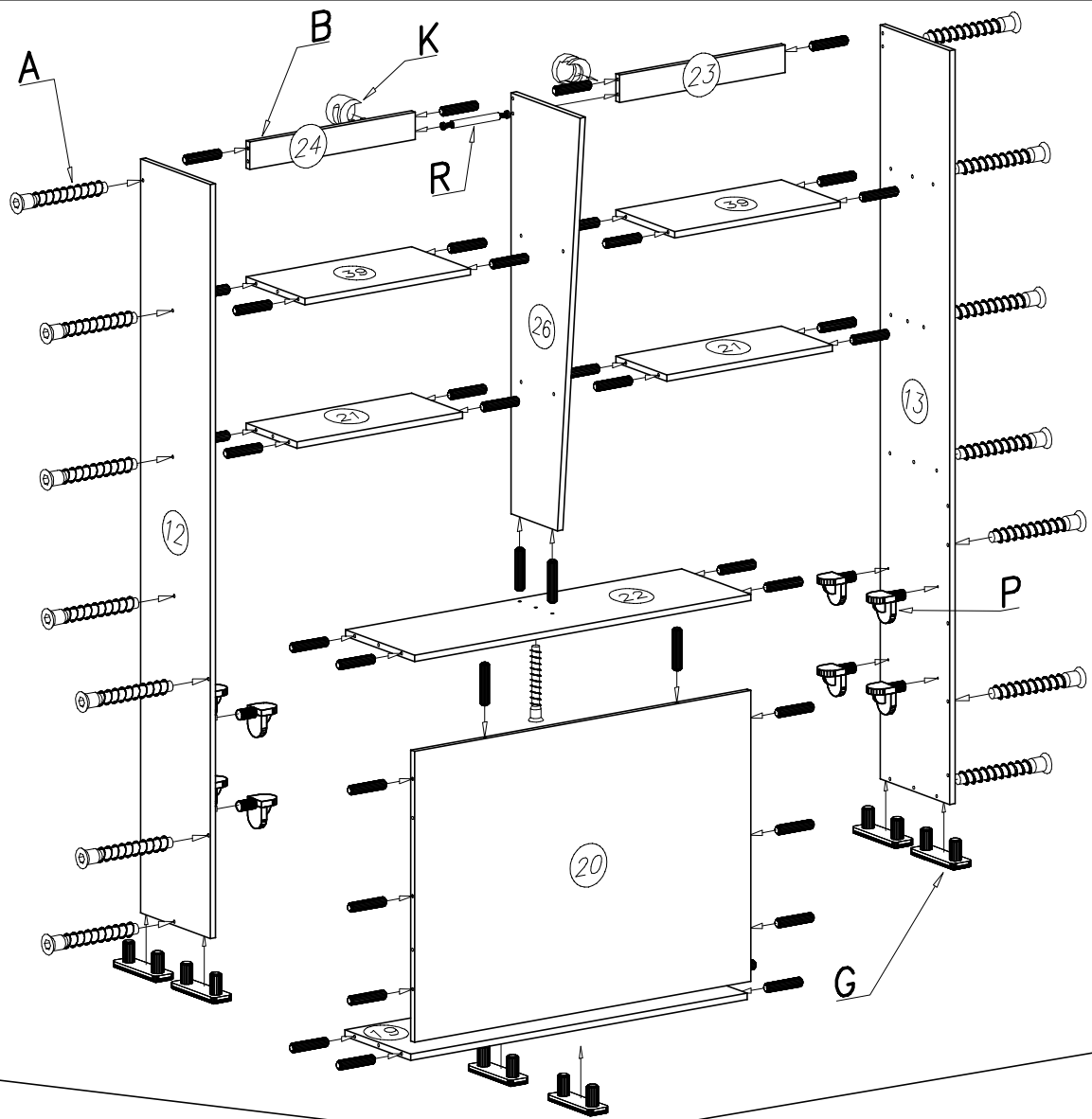
IV



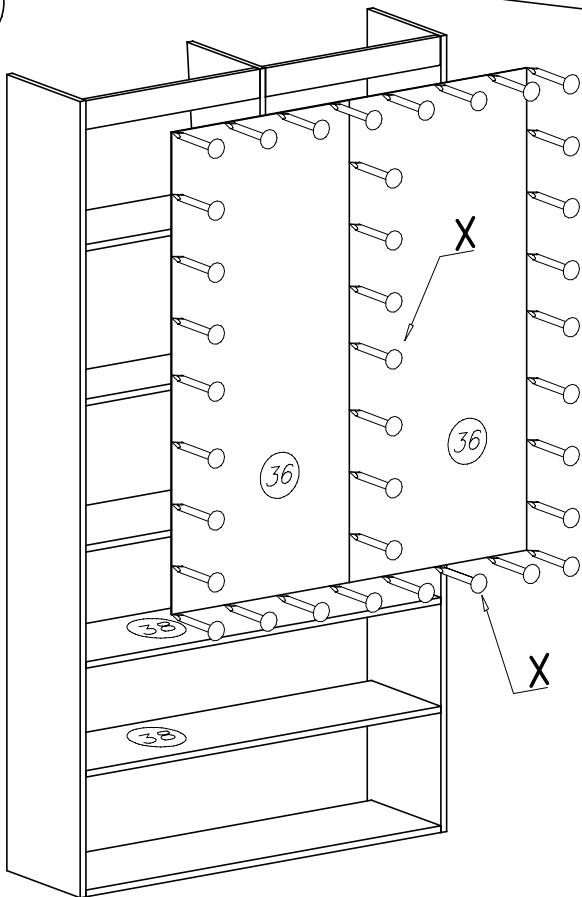
V



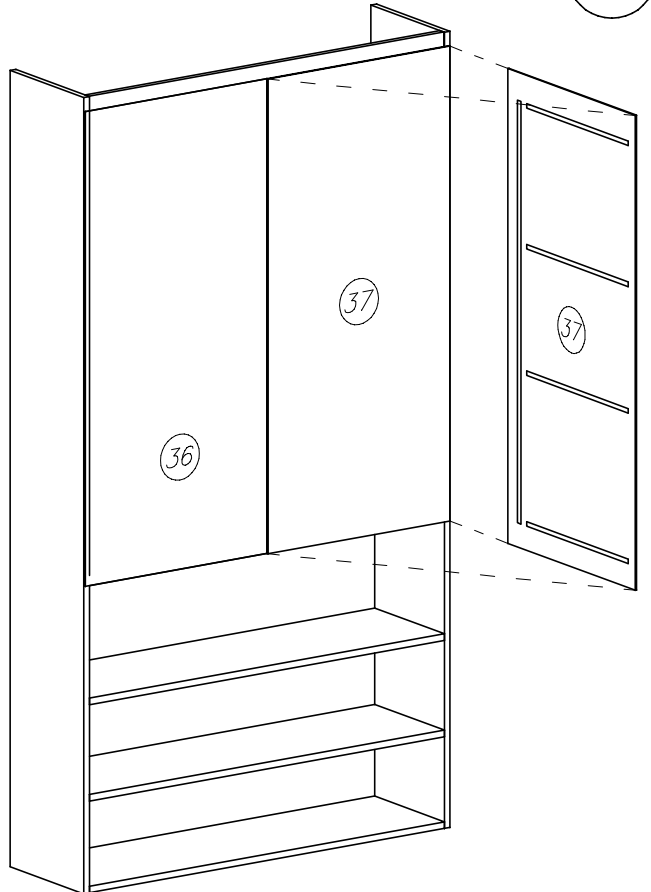
VI



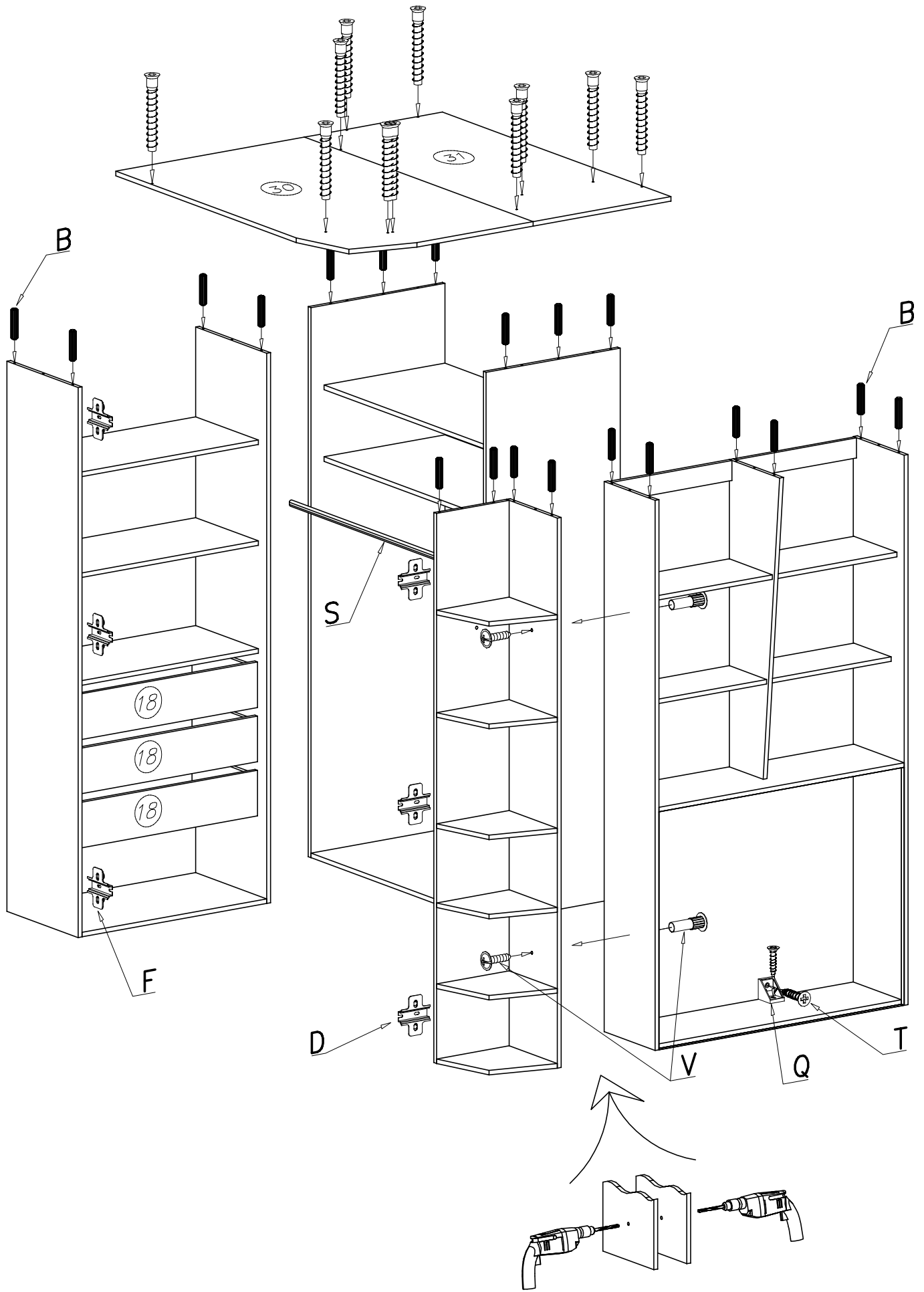
VII



VIII



IX



X

