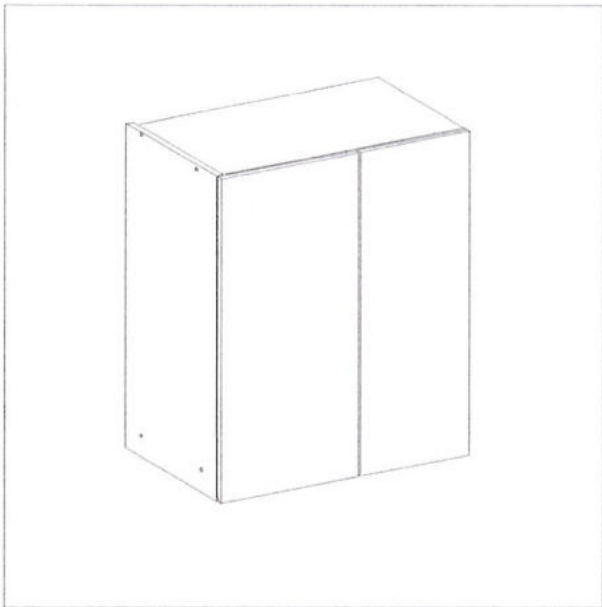
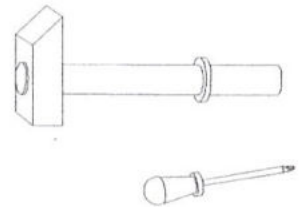
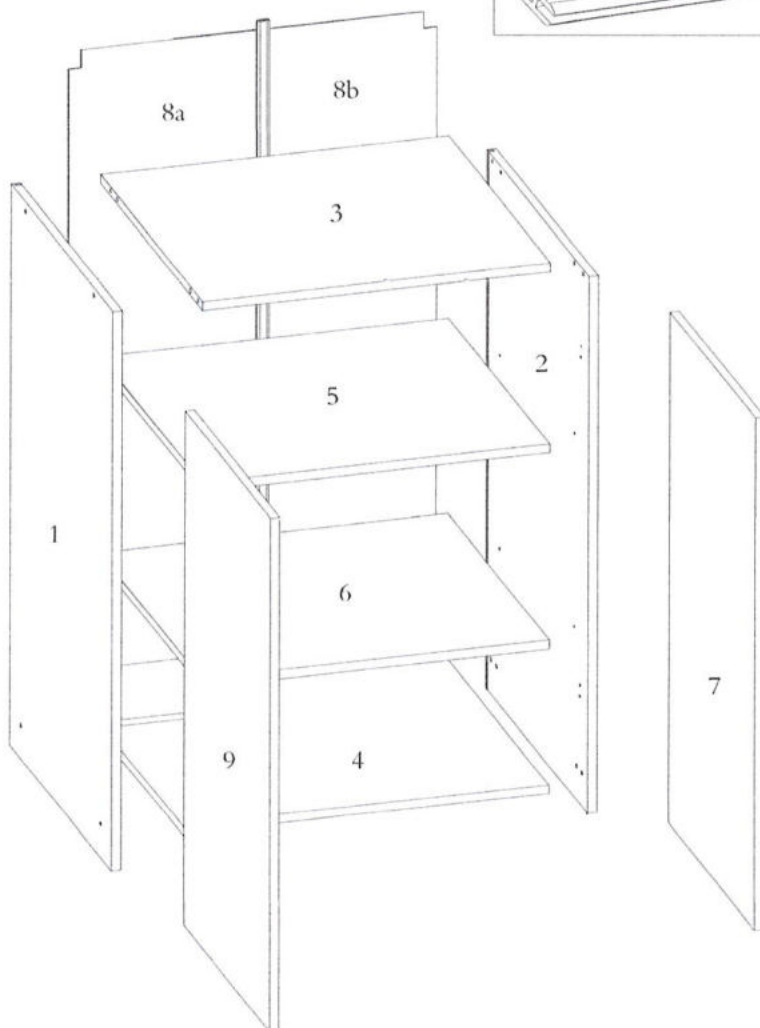
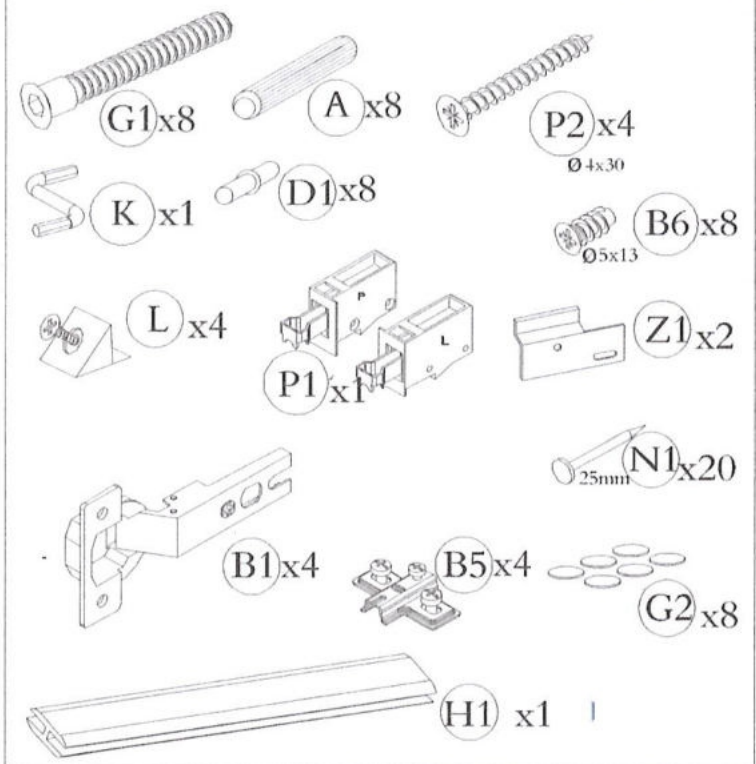


# CAMPARI W6-W9

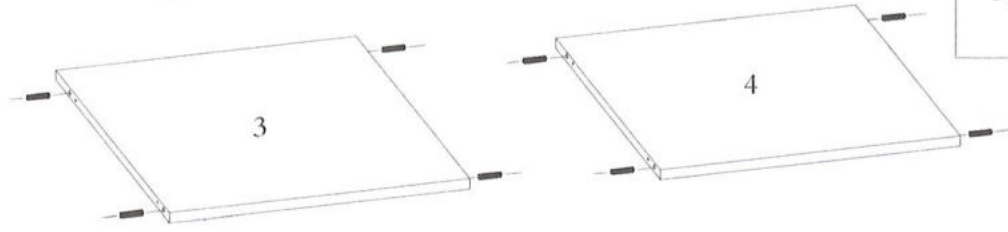
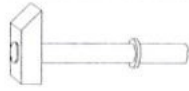


1.



2.

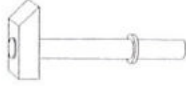
$A \times 8$



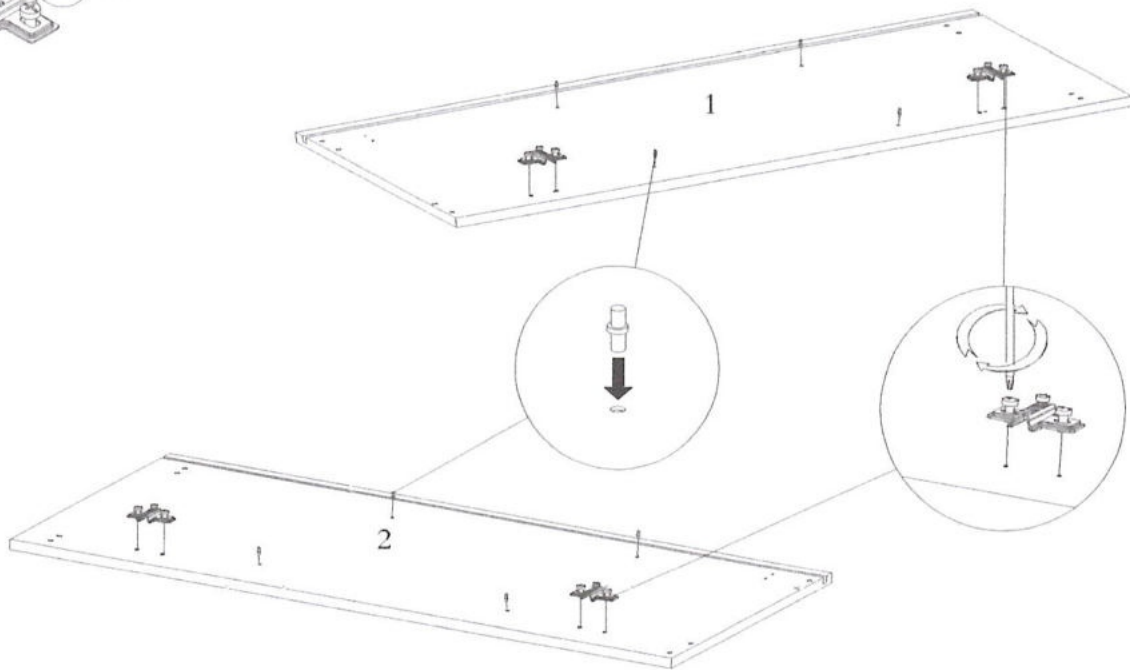
3.



$D1 \times 8$



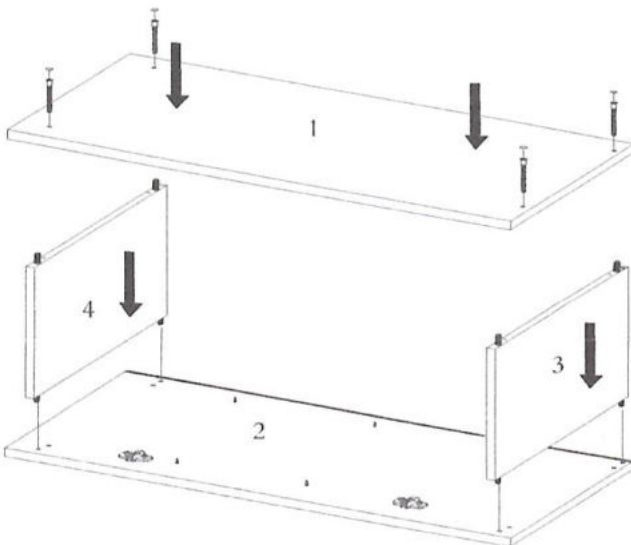
$B5 \times 4$



4.

$G2 \times 4$

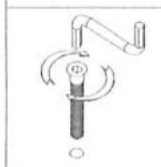
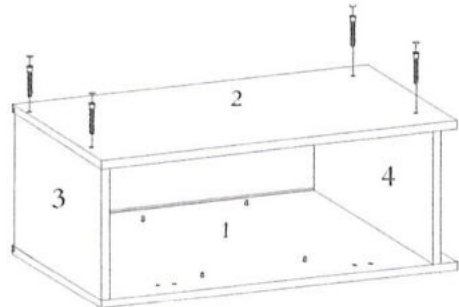
$G1 \times 4$



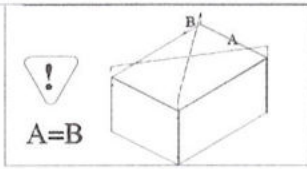
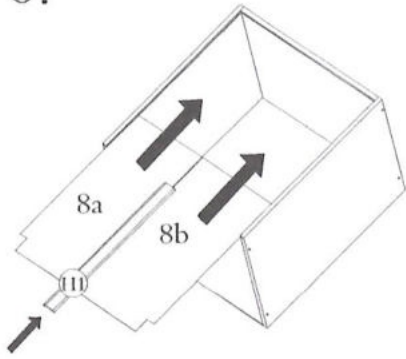
5.

$G2 \times 4$

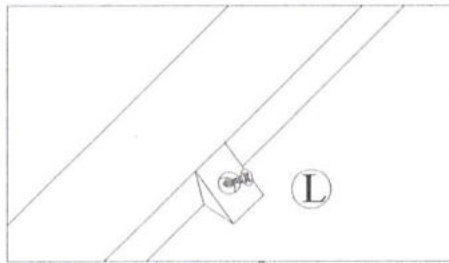
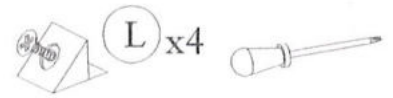
$G1 \times 4$



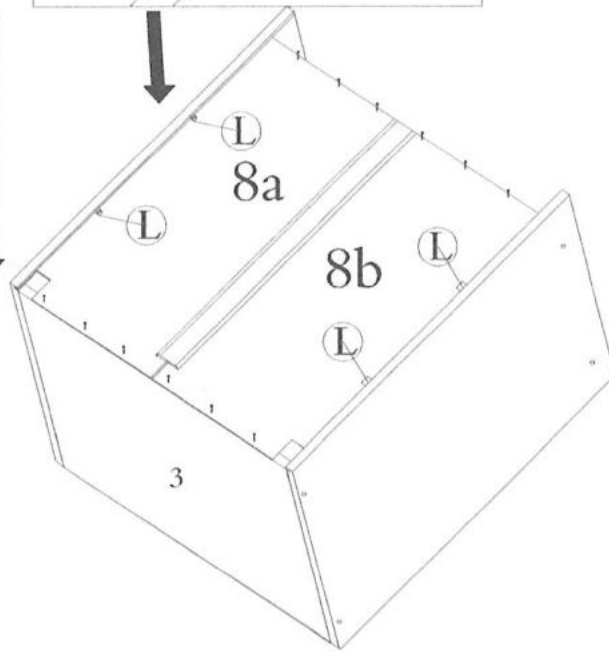
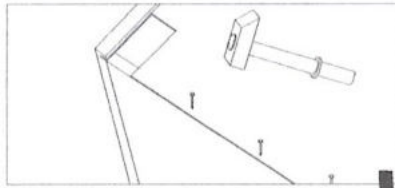
6.



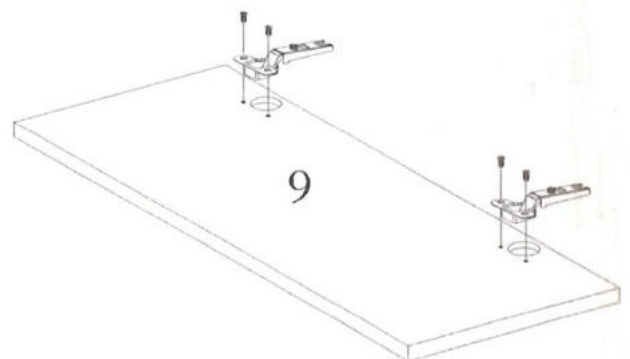
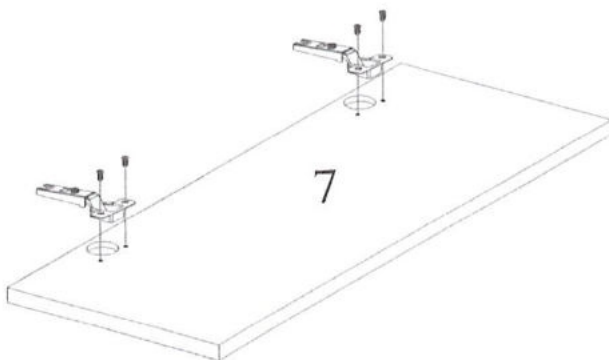
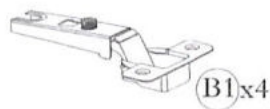
6.1



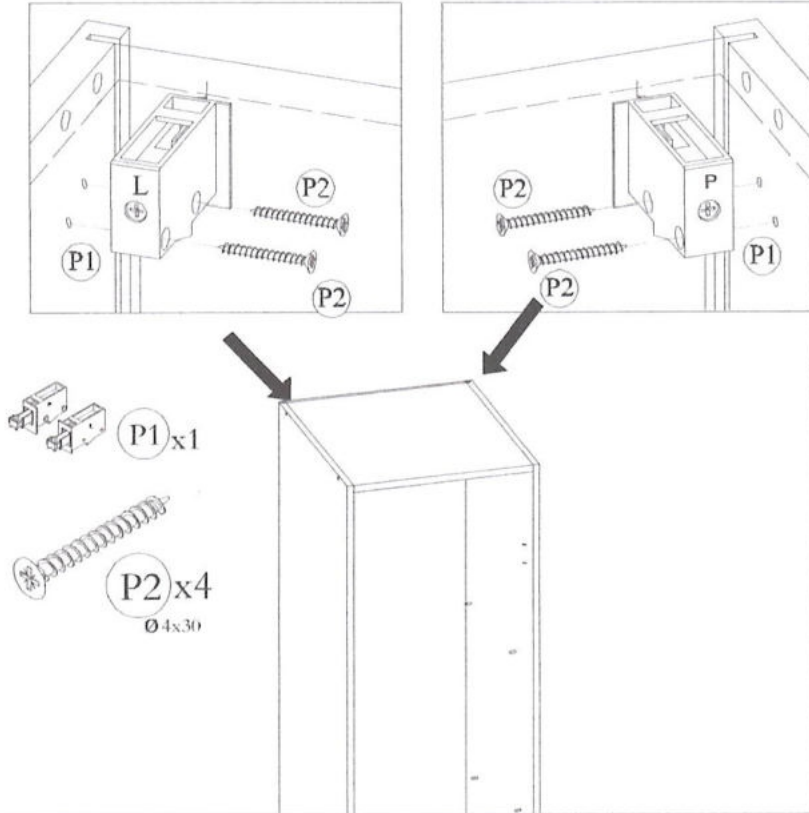
6.2



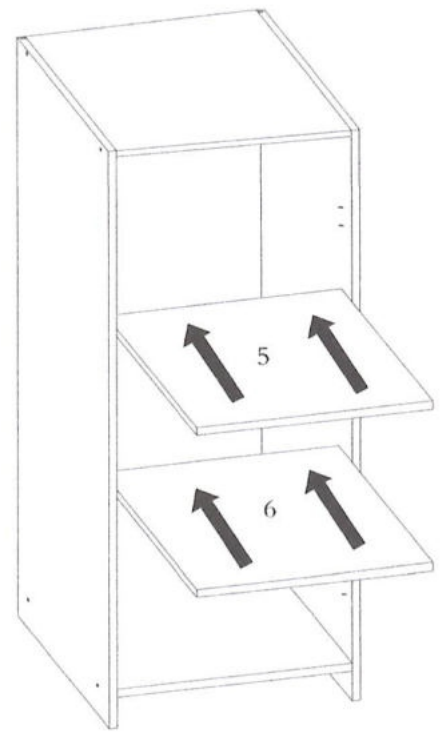
7.



8.



9.



10.

