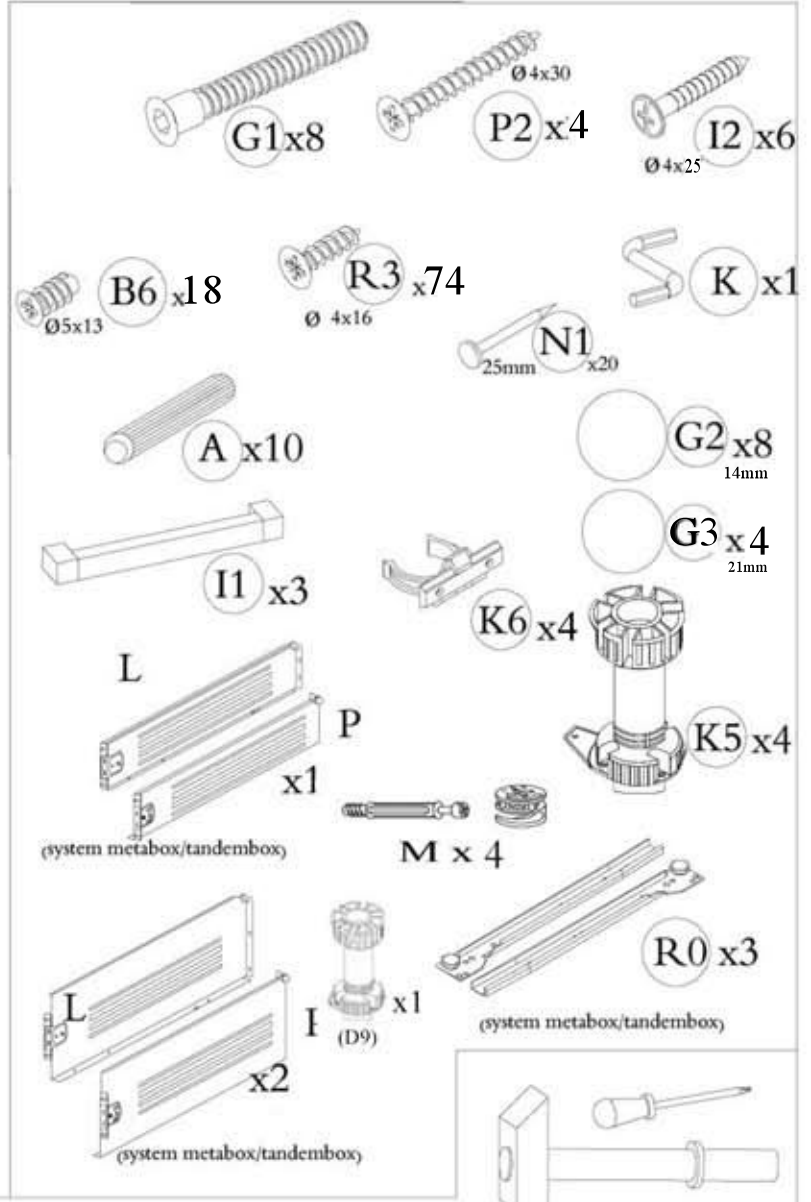
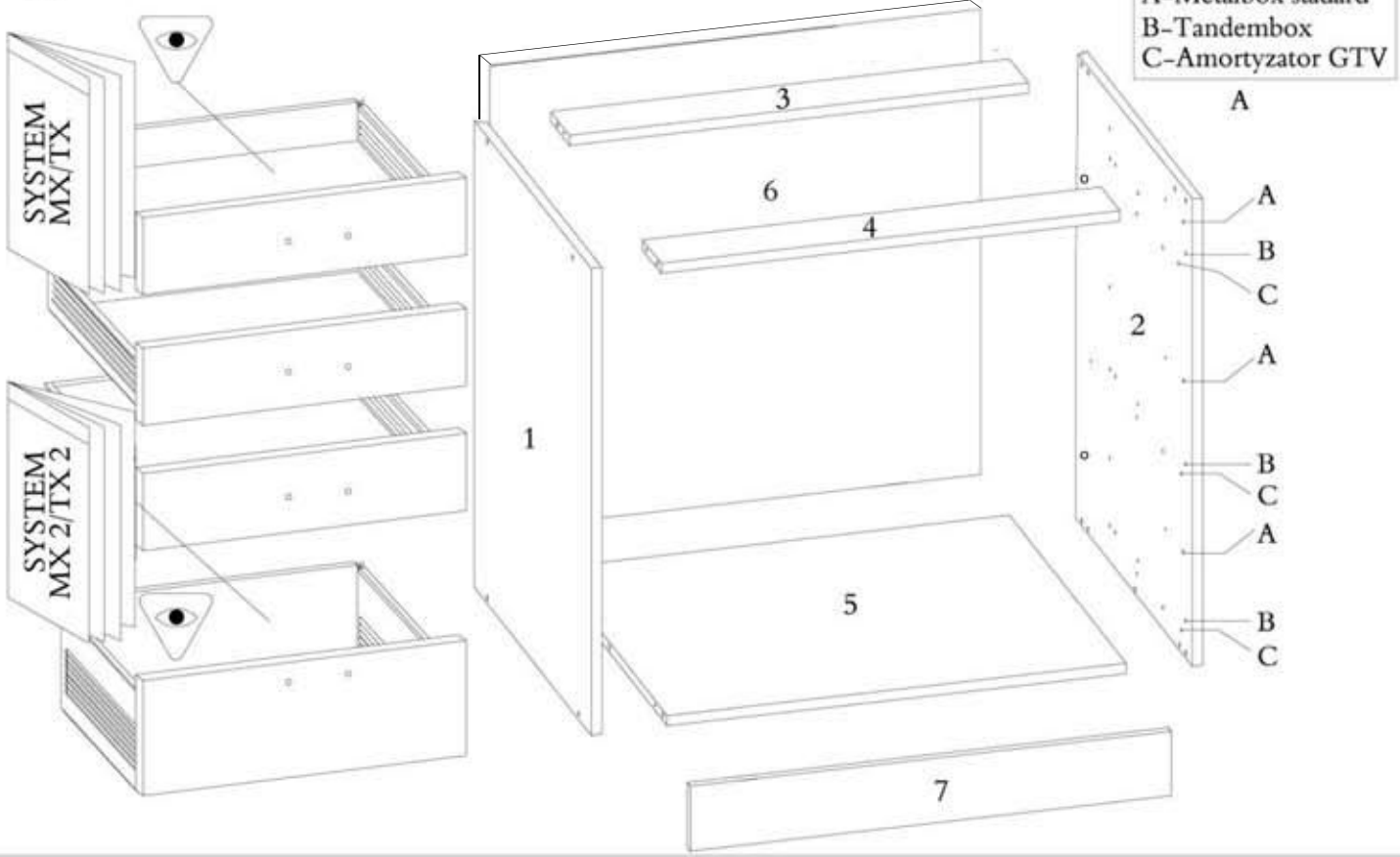
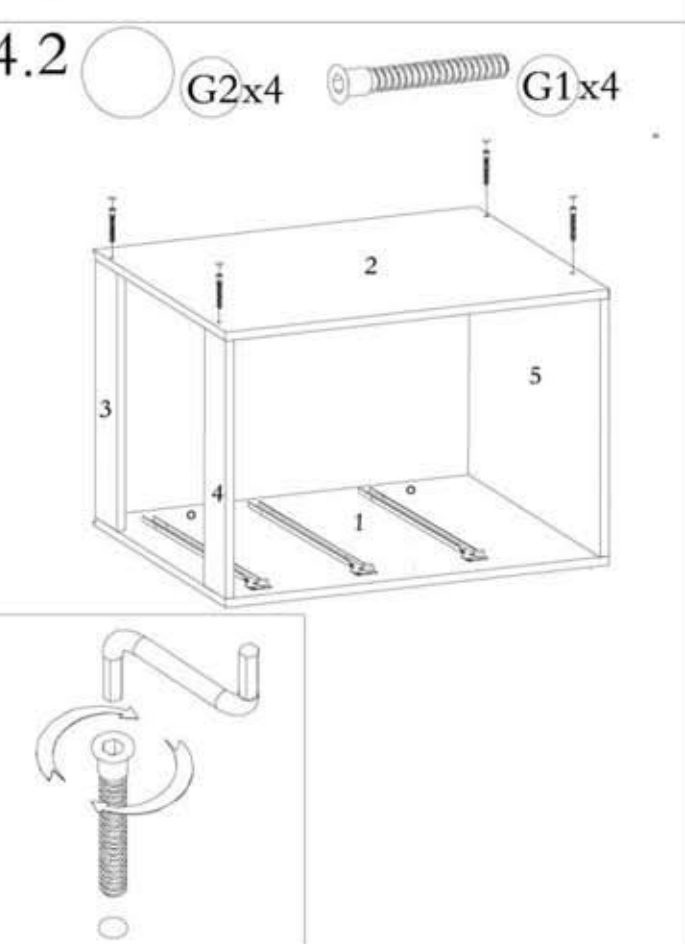
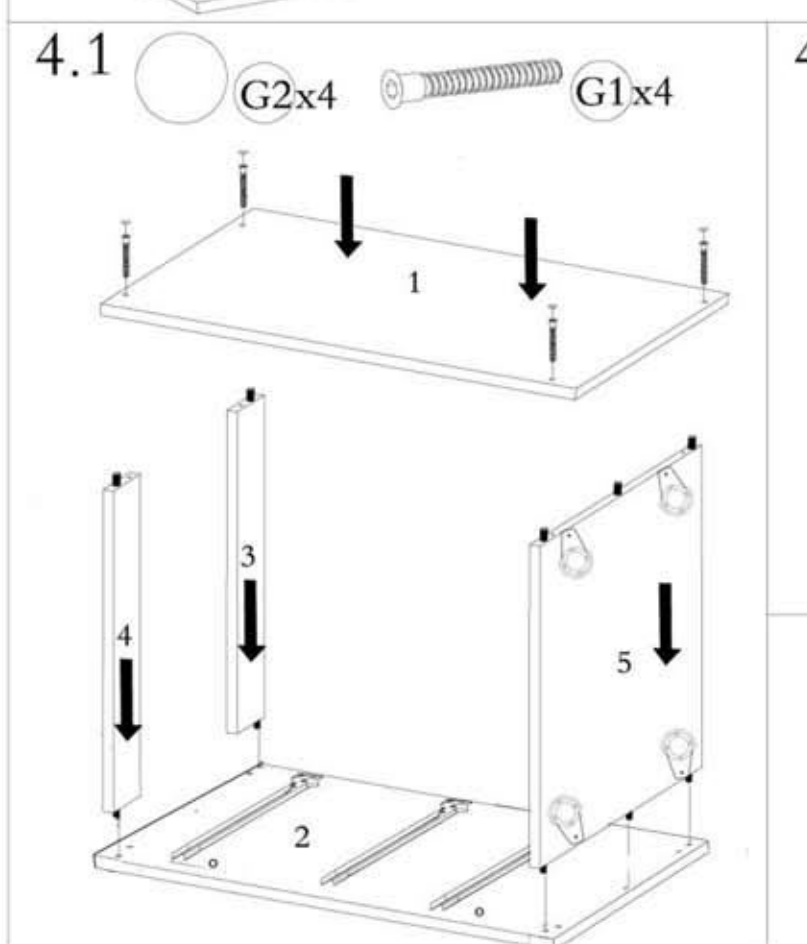
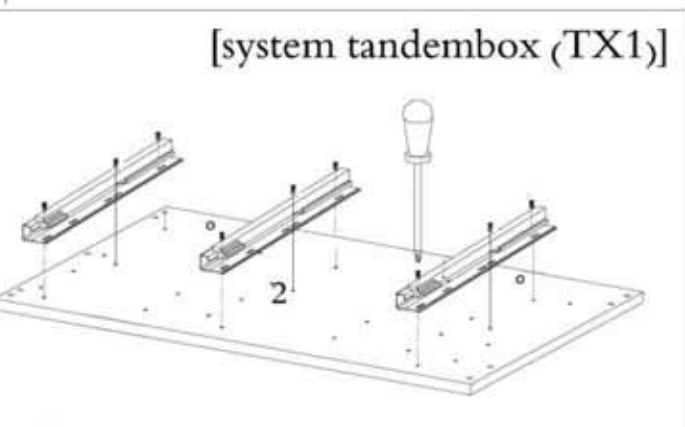
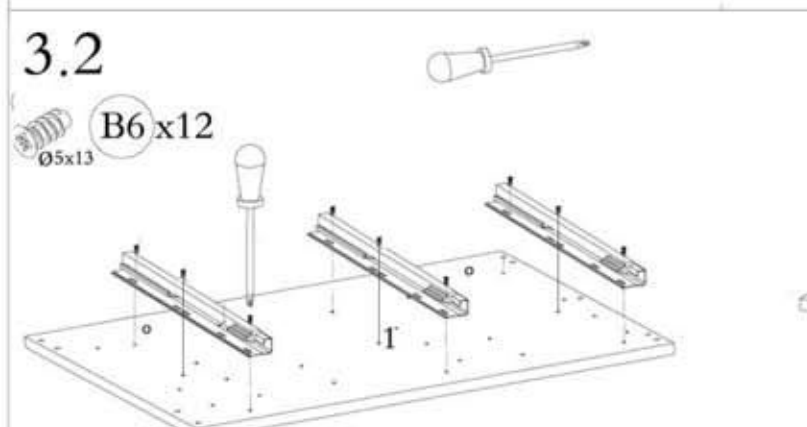
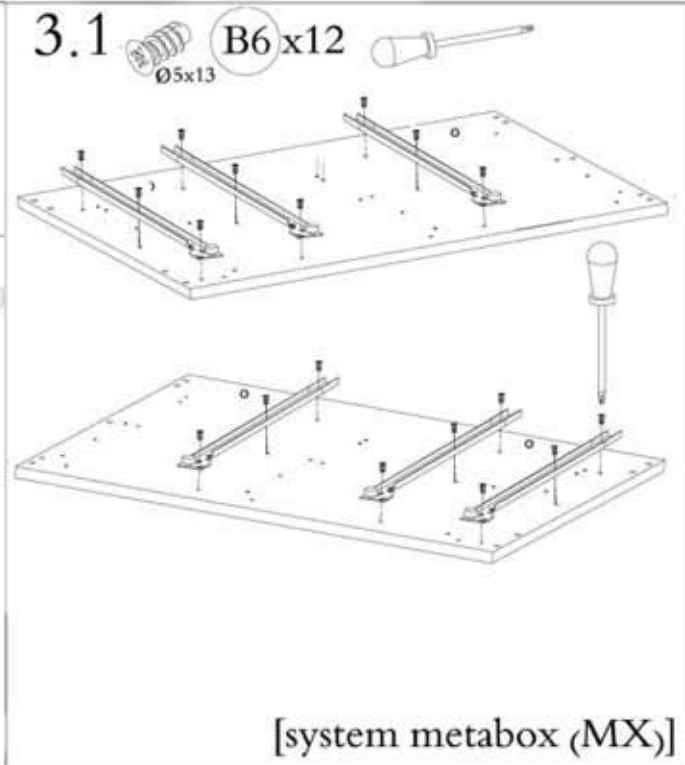
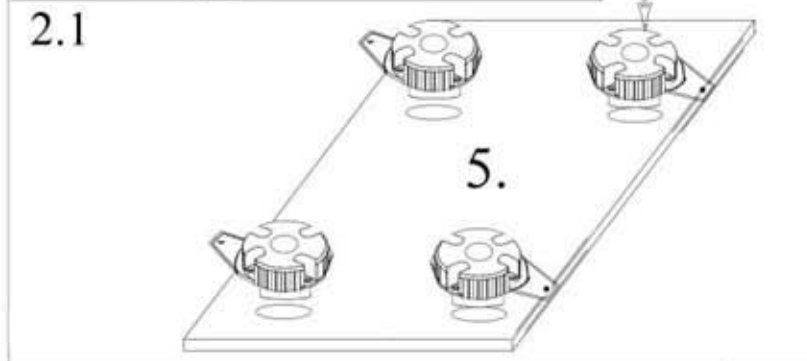
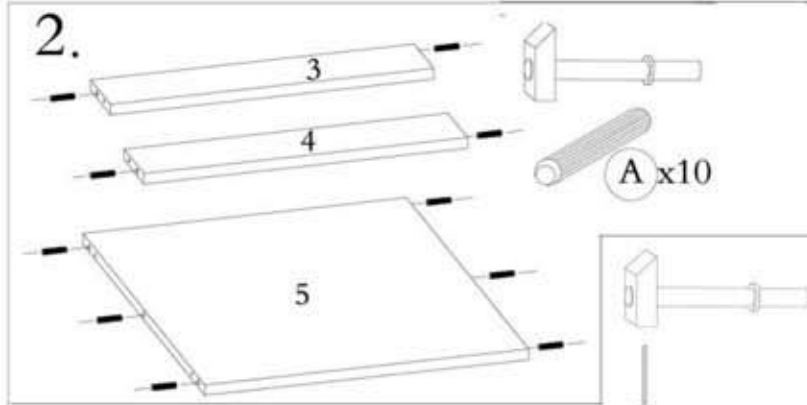


# DSW 3-9 z 3



1.

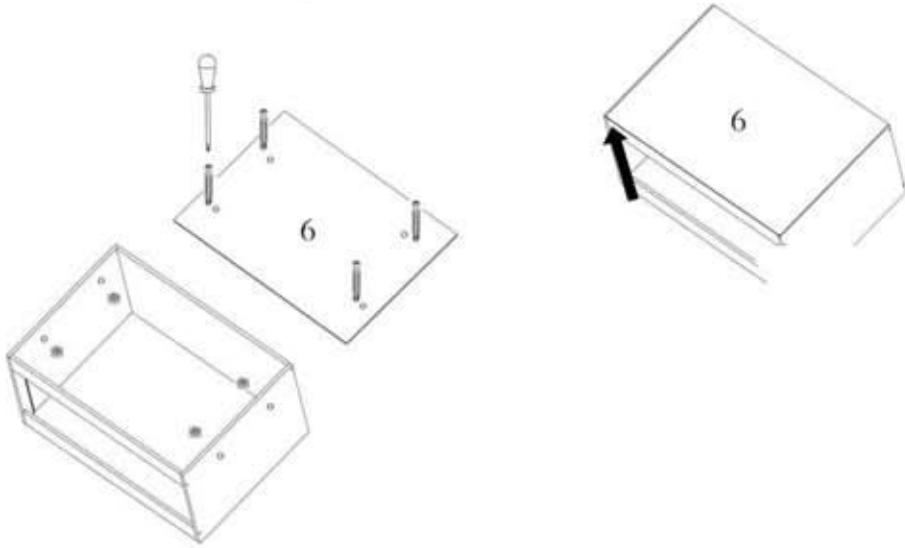




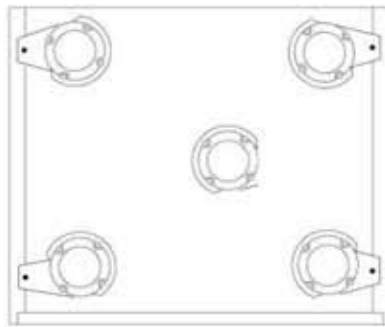
5.



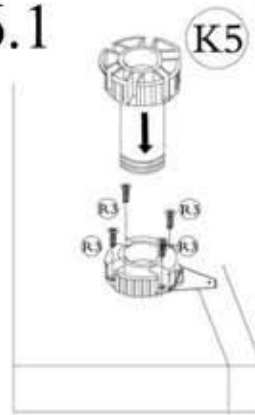
M x 4



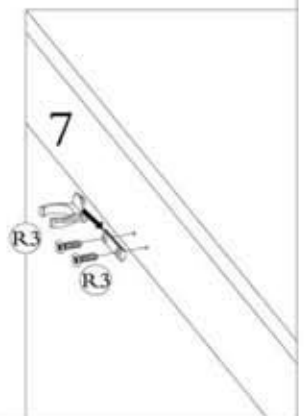
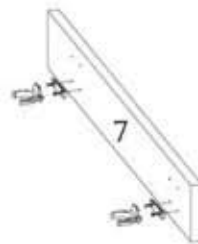
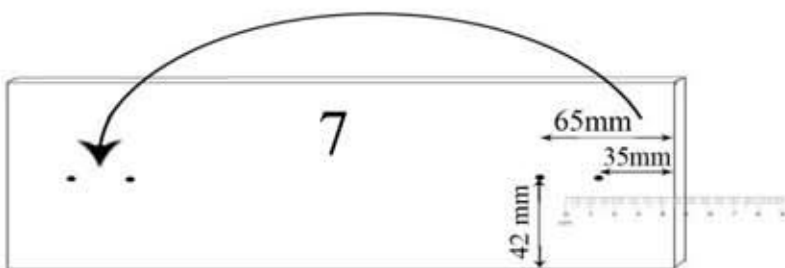
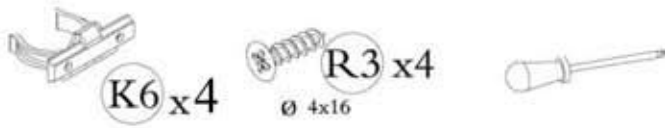
6.



6.1



7.



8.



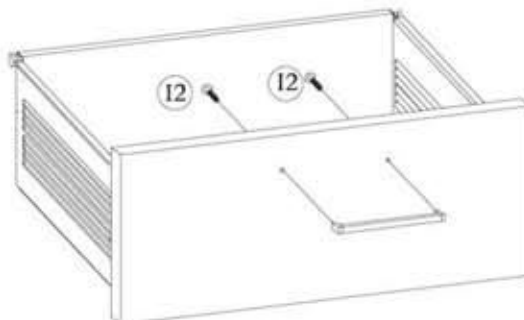
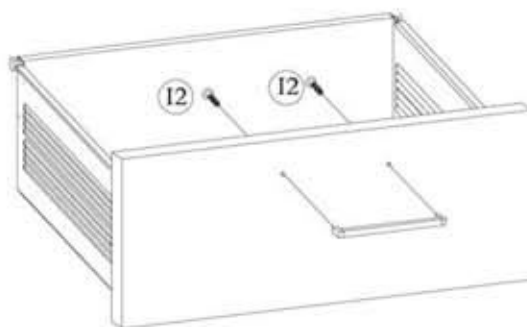
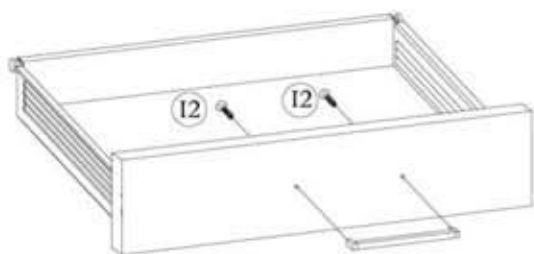
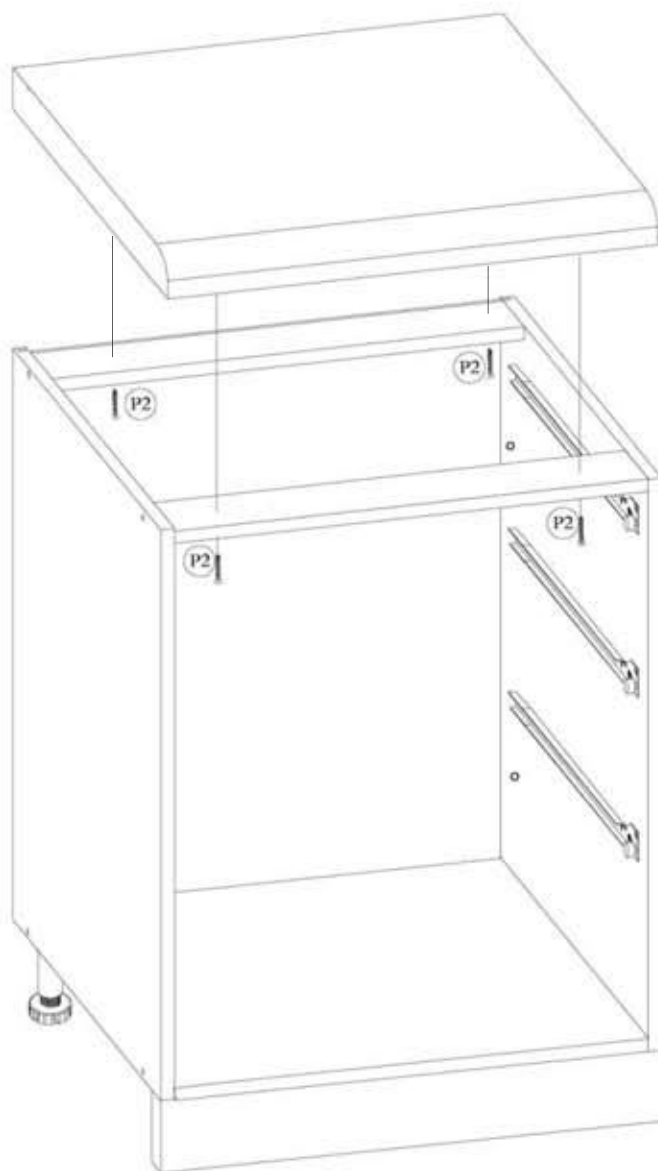
I1 x3



I2 x6  
Ø 4x28



P2 x2  
Ø 4x30

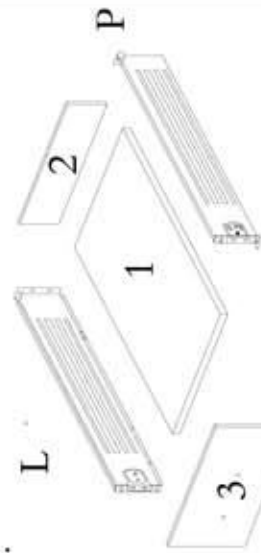


# SYSTEM MX

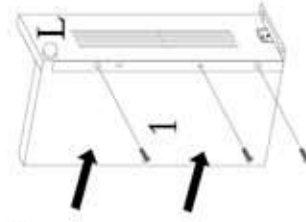
# SYSTEM MX 2



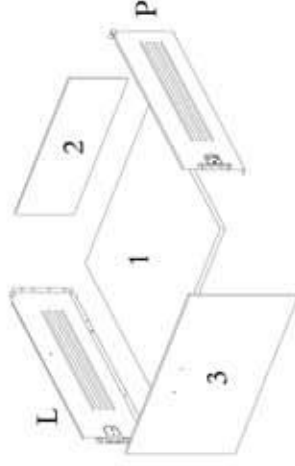
1.



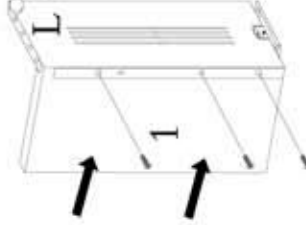
2.



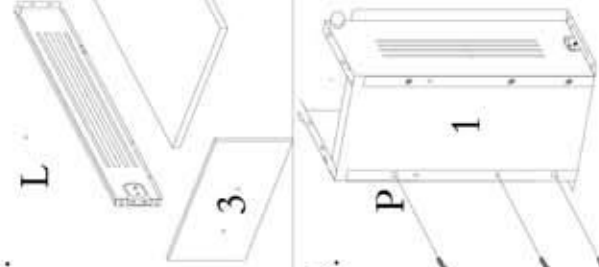
1.



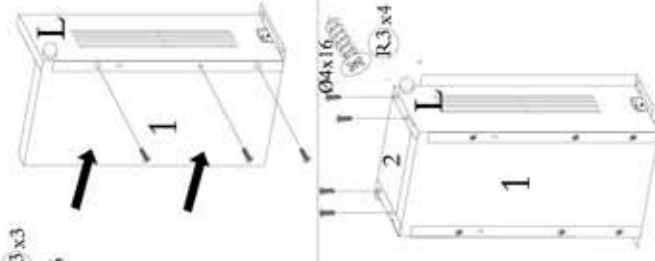
2.



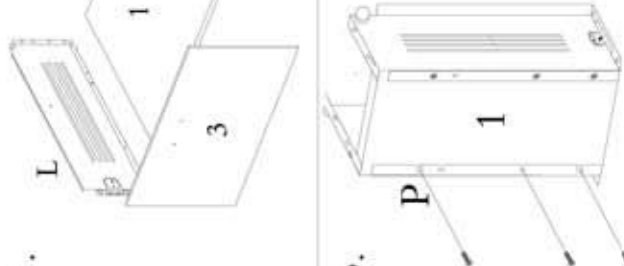
3.



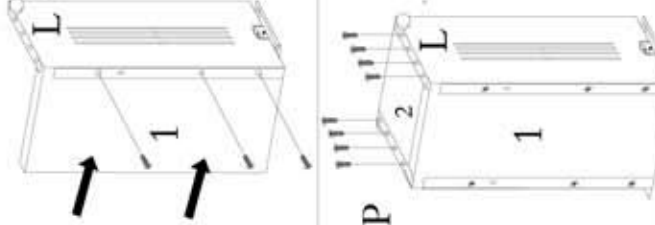
4.



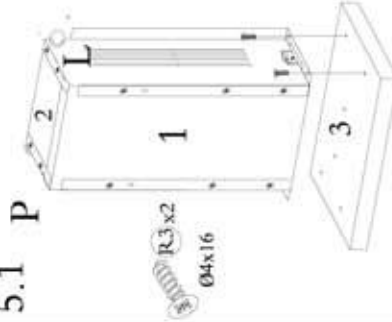
3.



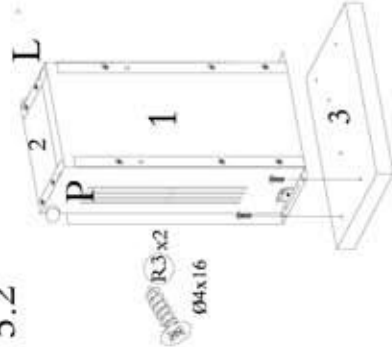
4.



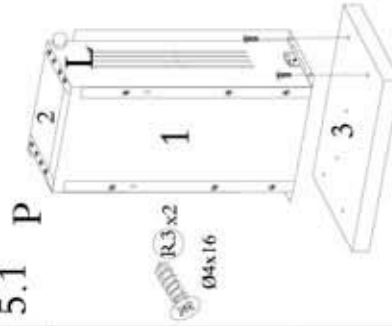
5.1



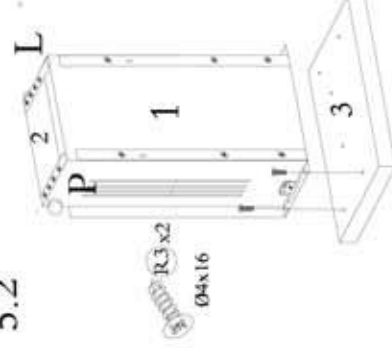
5.2



5.1



5.2



SYSTEM MX /SYSTEM MX 2

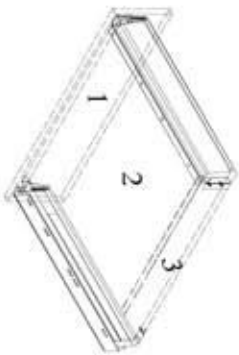


3



3

# SYSTEM TX



3mm R3x14  
04x16

X2

X1

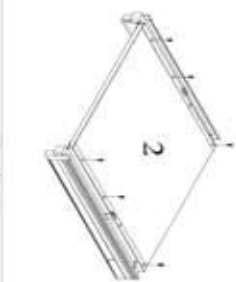


X1

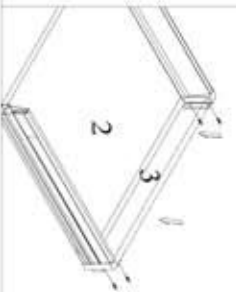


X1

2.



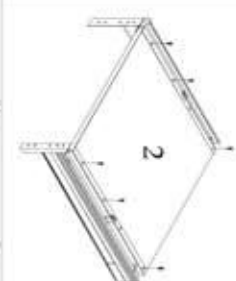
3.



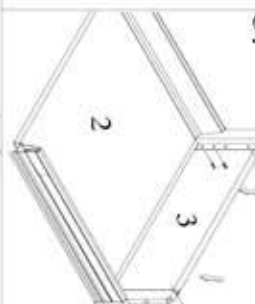
5.



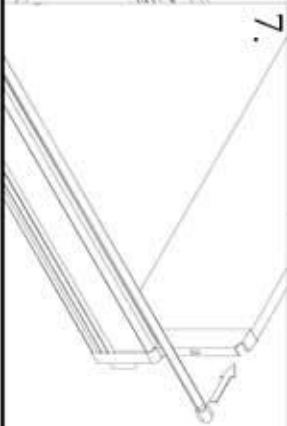
1.



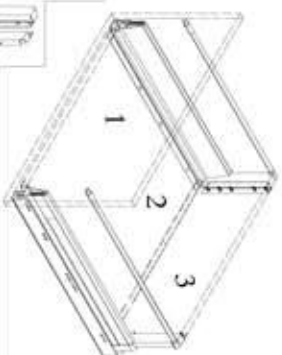
3.



7.



# SYSTEM TX 2



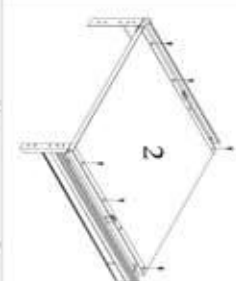
3mm R3x18  
04x16

X2

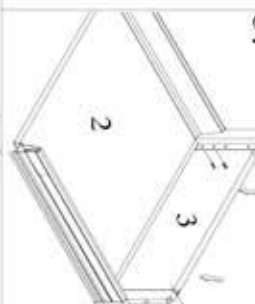
X1

X2

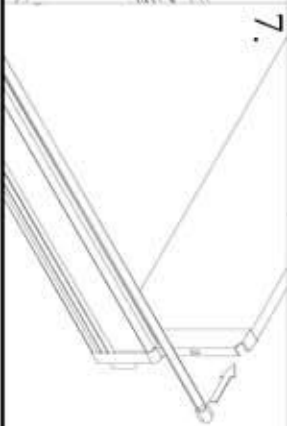
2.



3.



7.



# SYSTEM TX/SYSTEM TX 2

