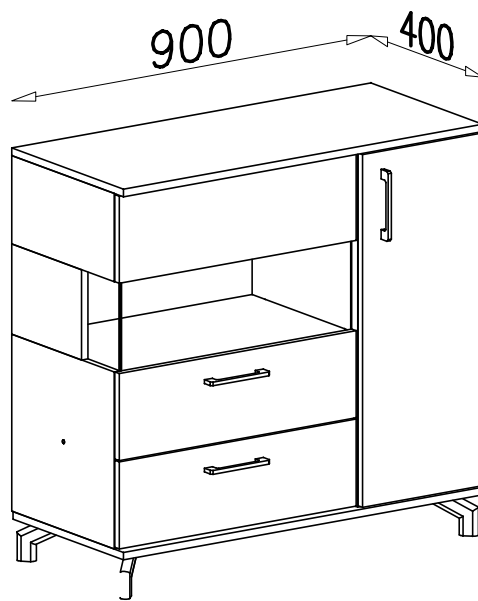
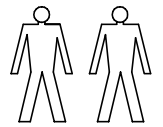
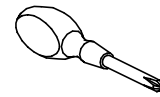
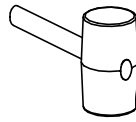
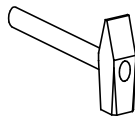
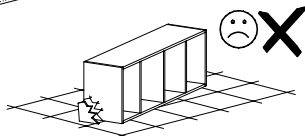
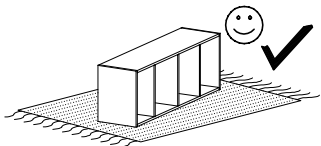
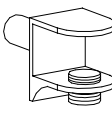
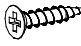

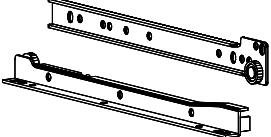



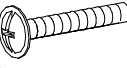
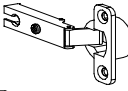
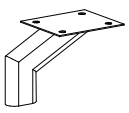
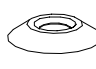


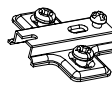



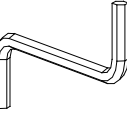


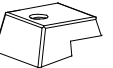


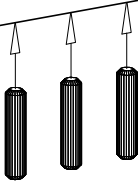
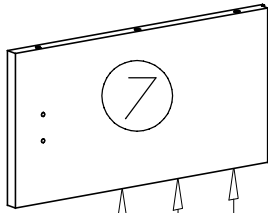
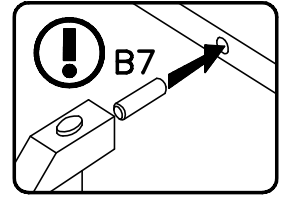
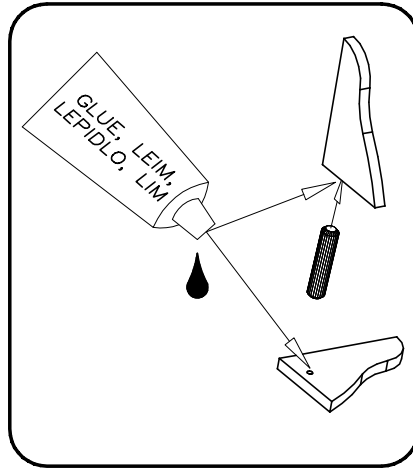
# MADISON MD 11



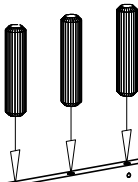
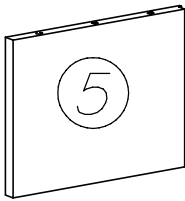
890

F6  x4	G21  3x16 x6	G11  4x20 x6	H8  350mm x1	G10  6x13 x4
G44  6x16 x16	W1  GLUE, LEIM, LEPIDLO, LIM x2	N13  M4x22 x6	C3  Z35PR x4	P27  x4
S2  x5	G4  4x16 x14	G2  3x20 x35	D3  PZ35PR x4	E9  x3
A1  ø7x50 x5	B7  ø8x30 x27	W2  x1	F1  x5	I3  x6
				I2  x6

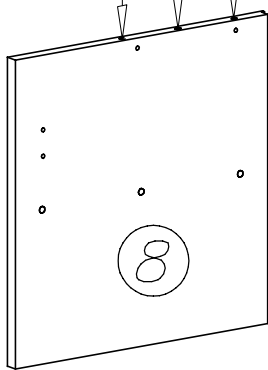
1



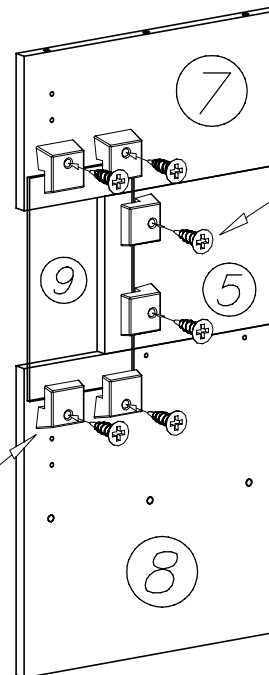
B1



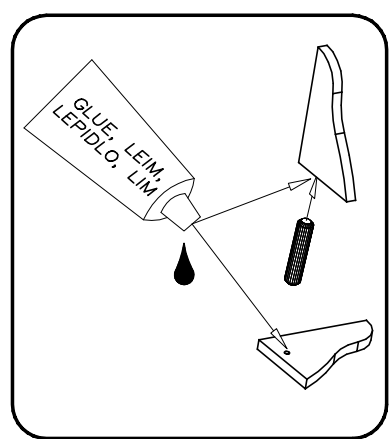
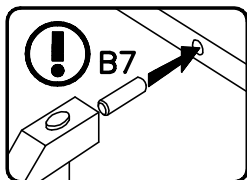
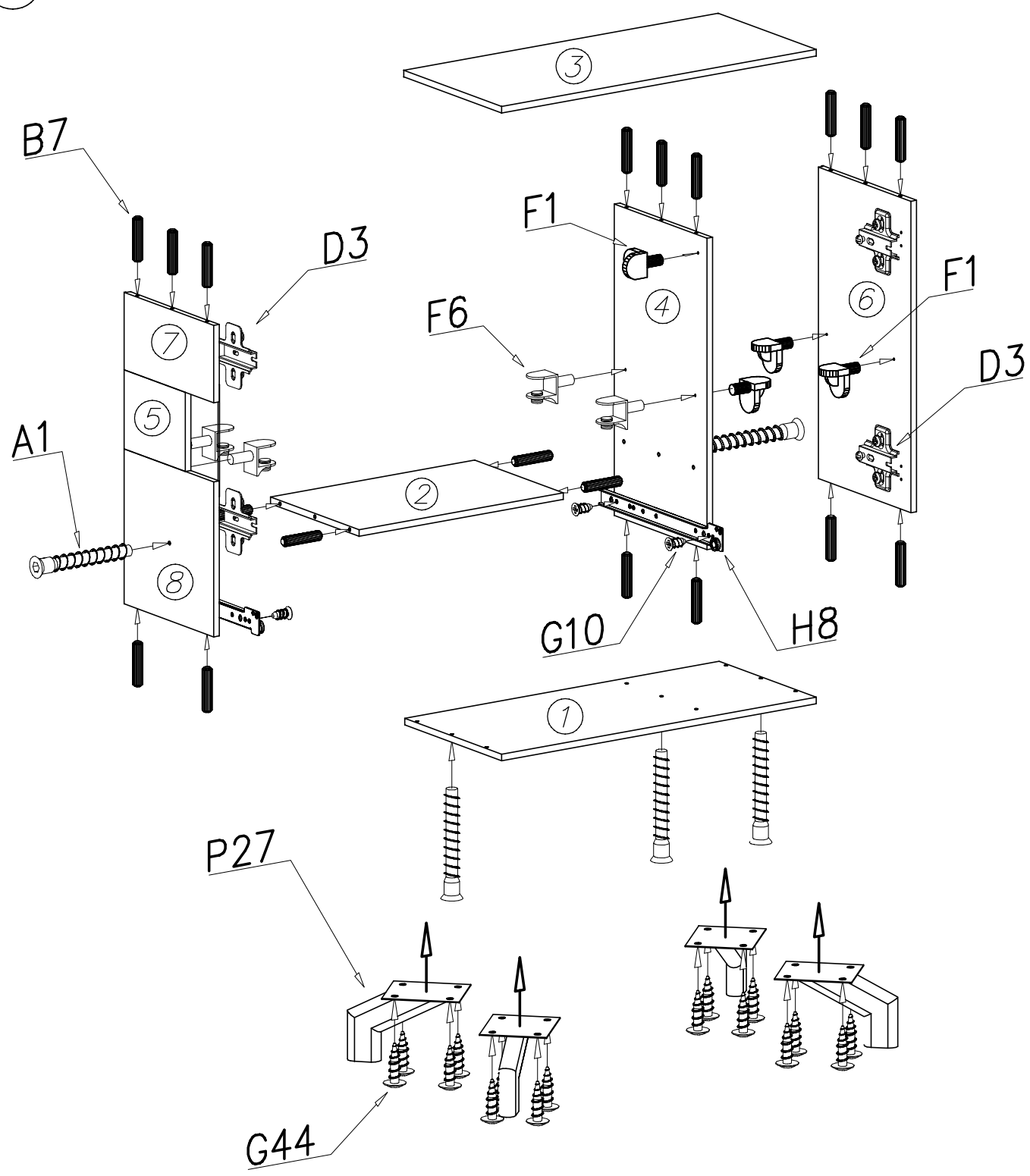
B1



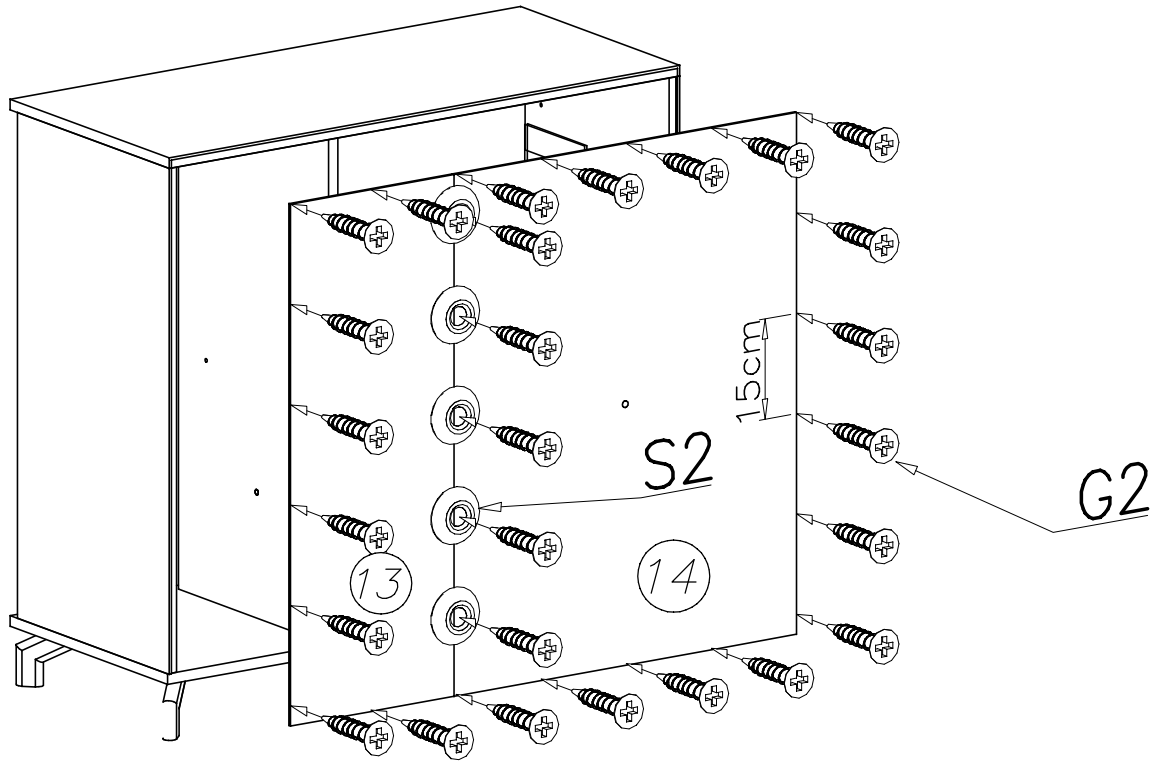
12



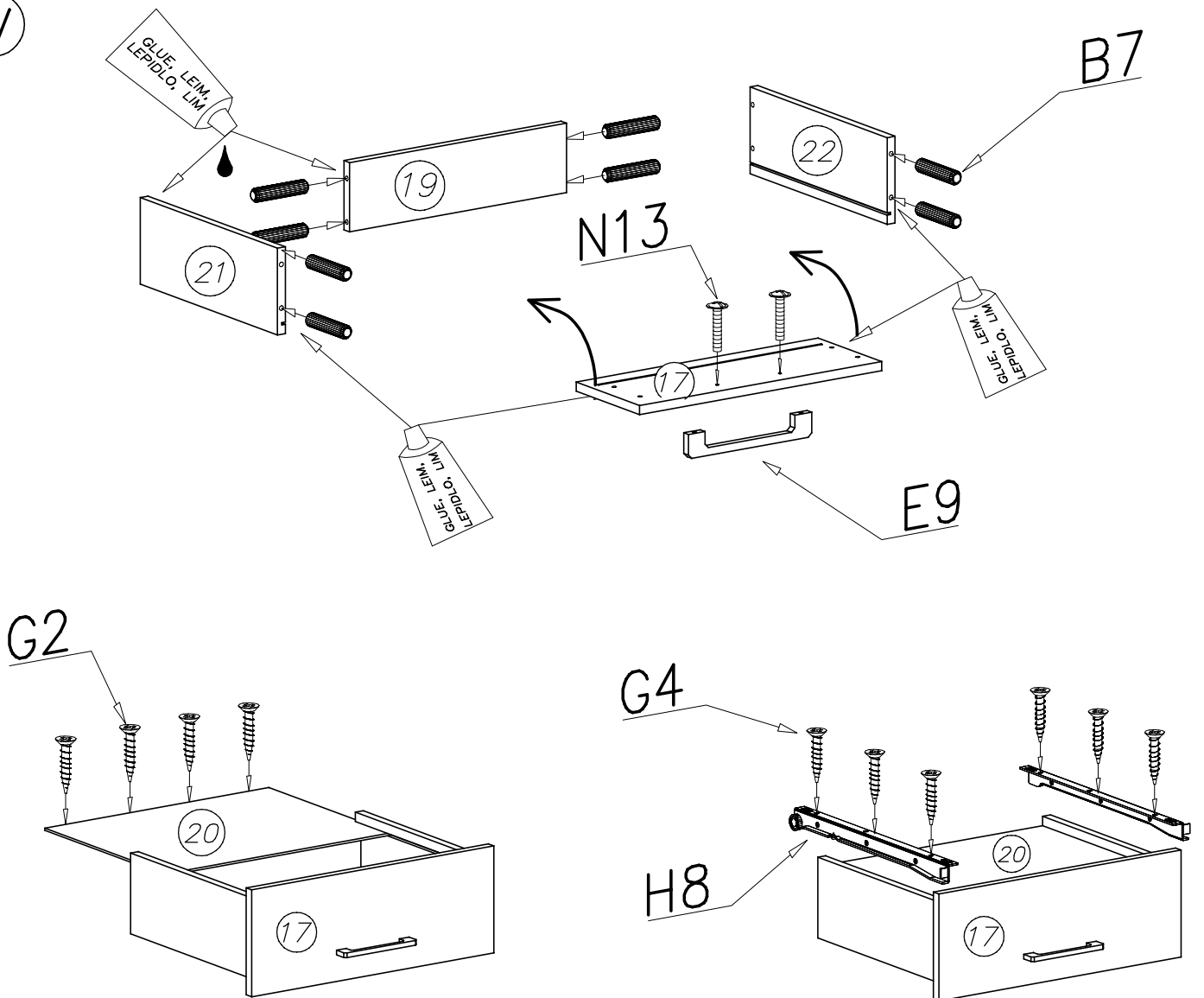
G21



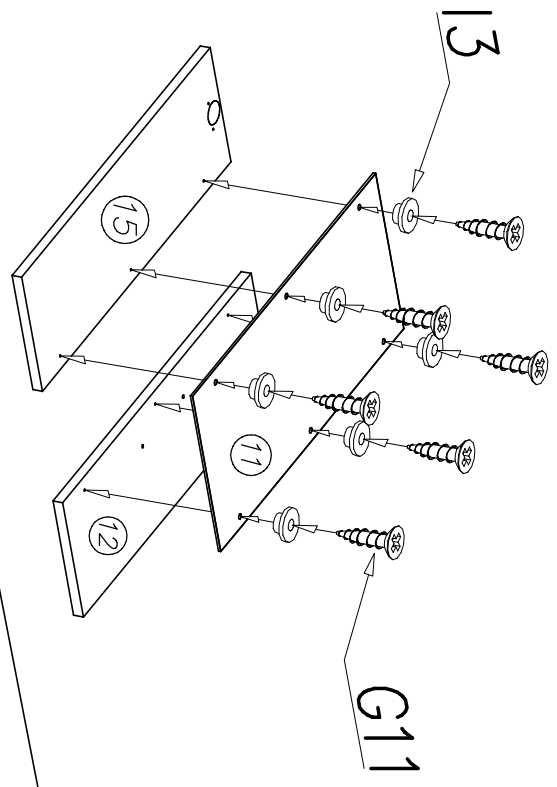
III



IV



V



VI

