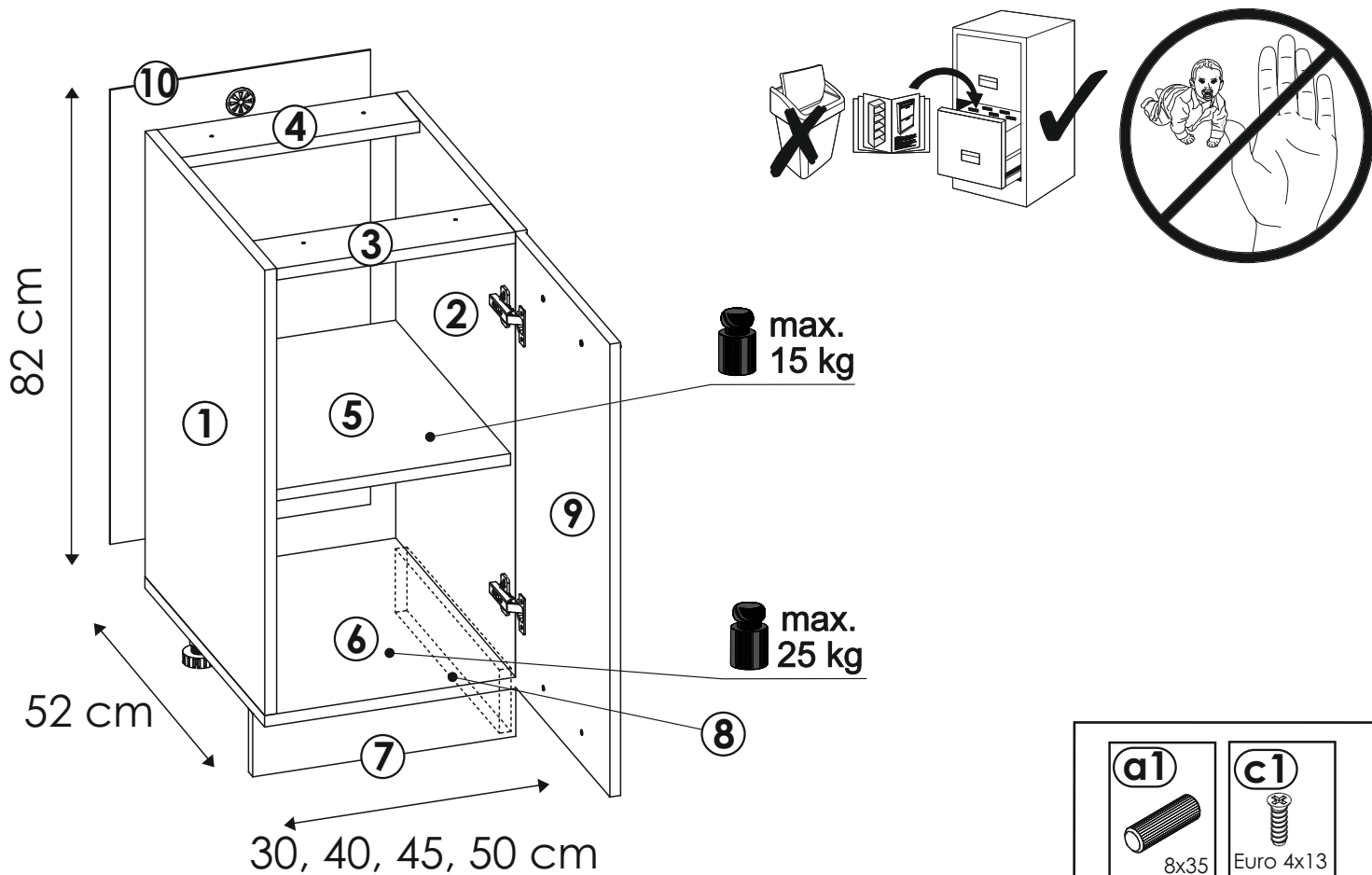
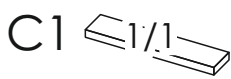


D1D 30, 40, 45, 50

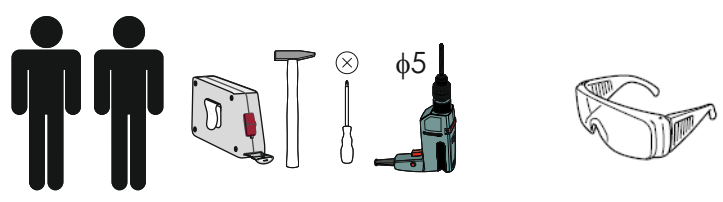


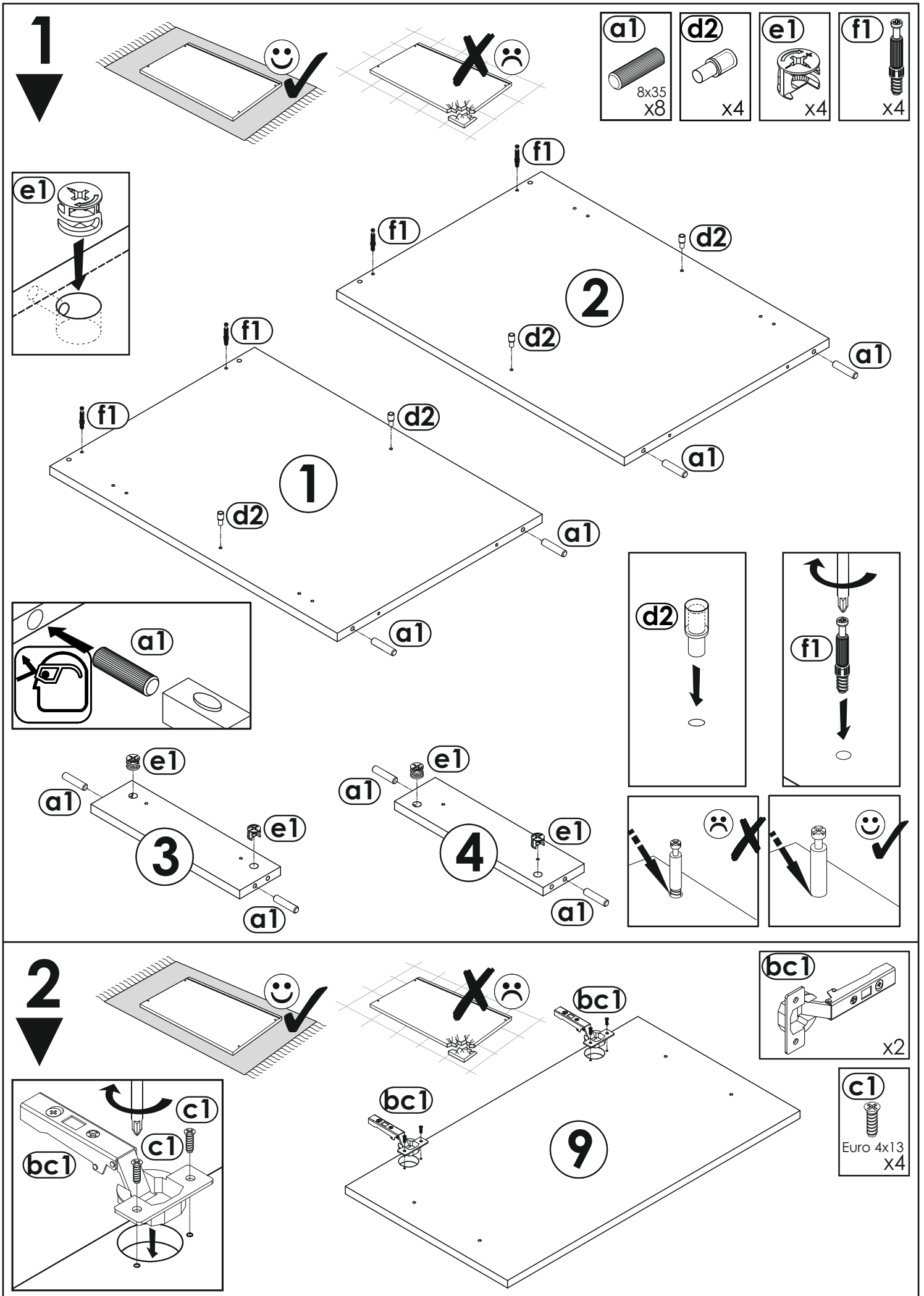
a1 8x35 X...(x8)	c1 Euro 4x13 X...(x4)
-------------------------------	------------------------------------

bc0 x...(x2)	bc1 x...(x2)	d2 x...(x4)	e0 x...(x4)	e1 x...(x4)	f1 x...(x4)	g1 x...(x4)	i5 3.5x30 x...(x4)		
h1 x...(x1)	k3 4x22 x...(x2)	m x...(x1)	n1 3x16 x...(x20)	n2 3.5x16 x...(x24)	p01 x...(x4)	p02 biata x...(x2)	o1 x...(x4)	o2 x...(x4)	w16 x...(x1)

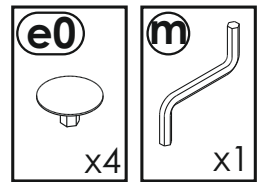
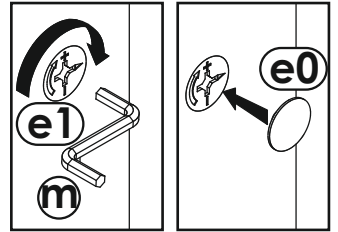
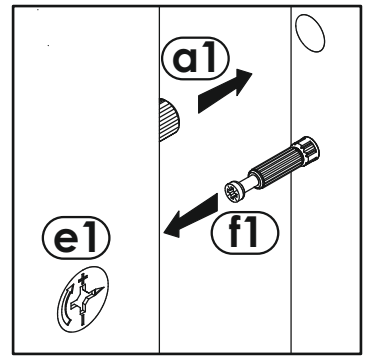
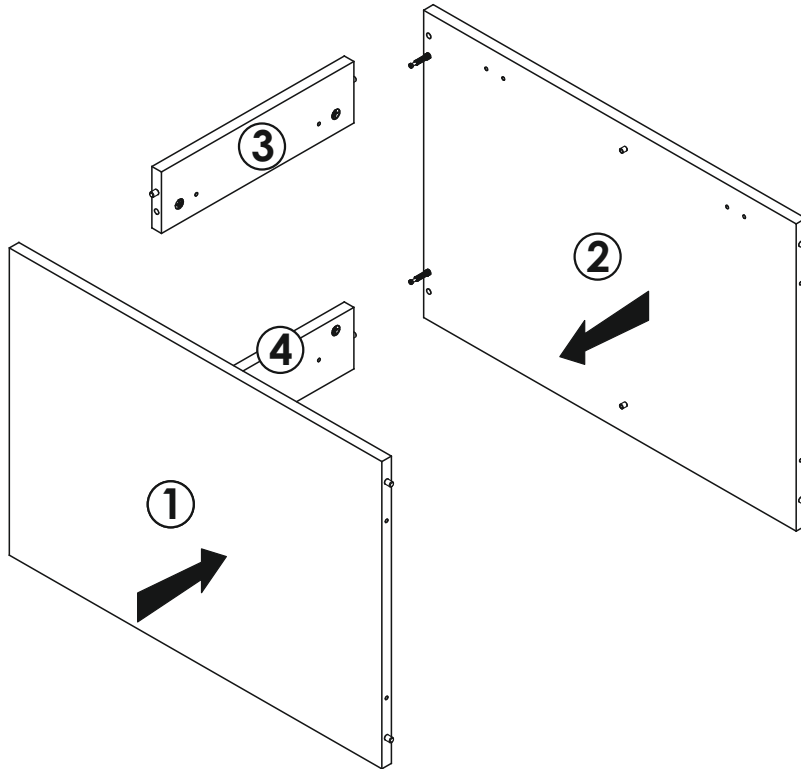
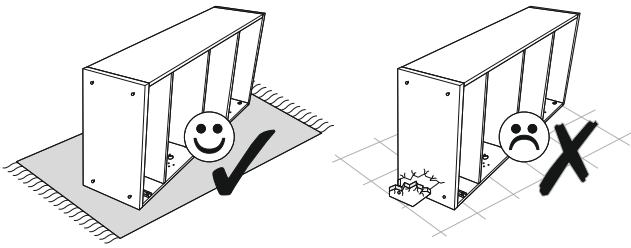


- 1 -C1
- 2 -C1
- 3 -C1
- 4 -C1
- 5 -C1
- 6 -C1
- 7 -C1
- 8 -C1
- 9 -C1
- 10 -C1

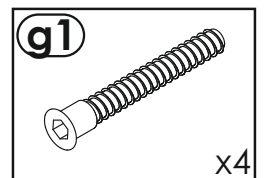
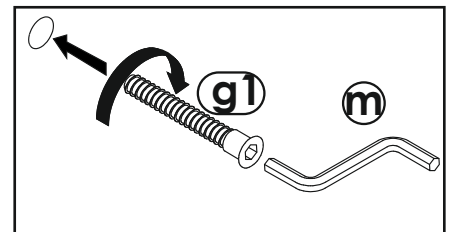
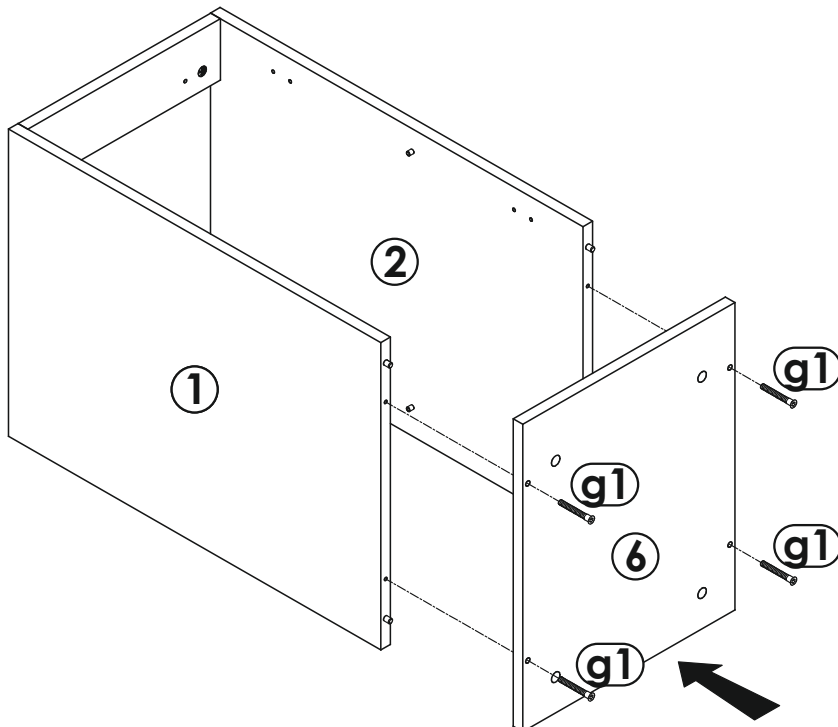
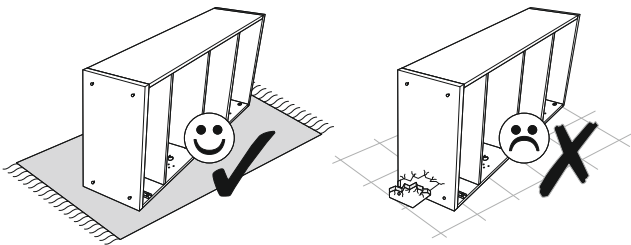




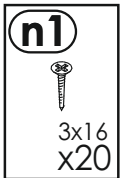
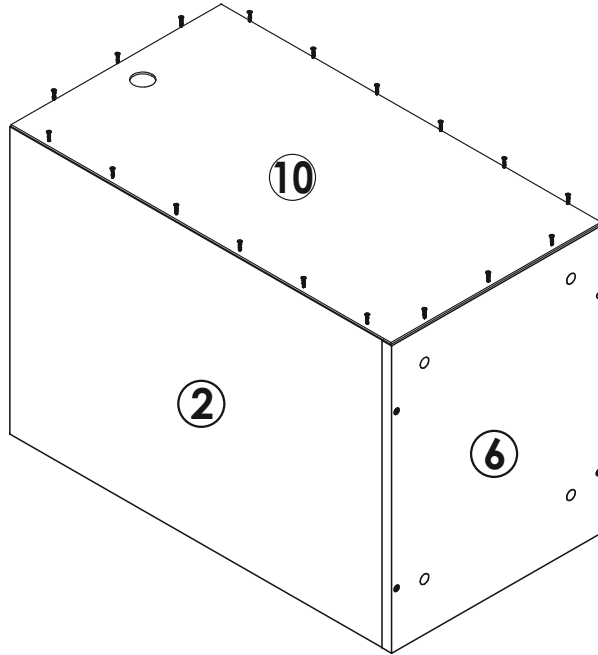
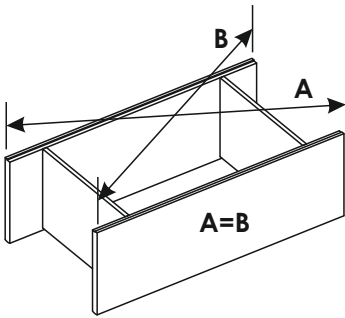
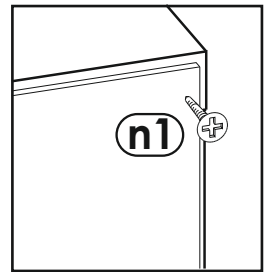
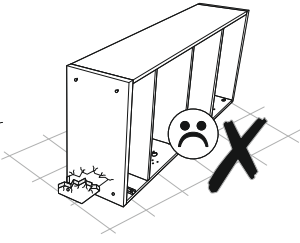
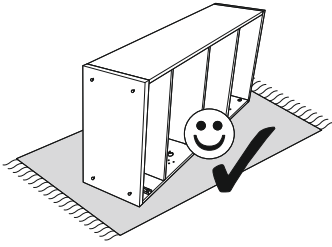
3



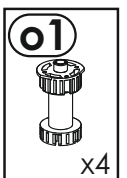
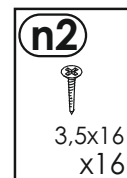
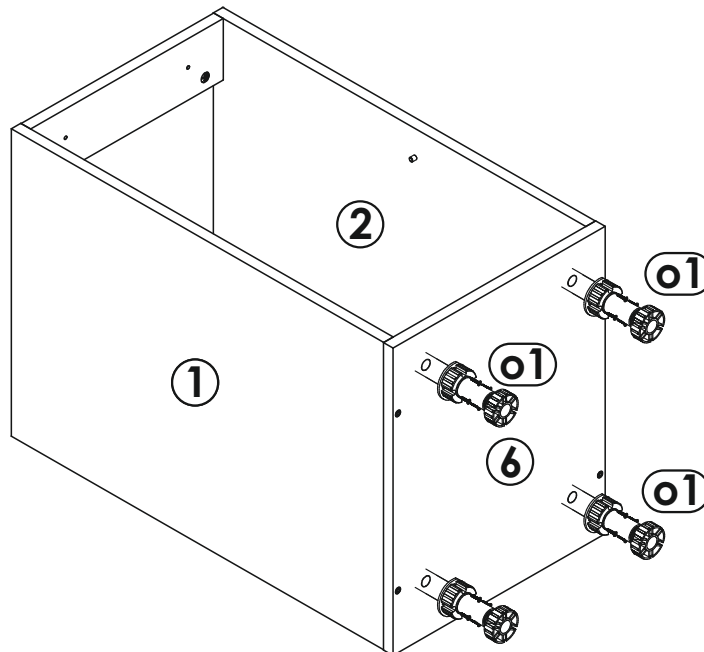
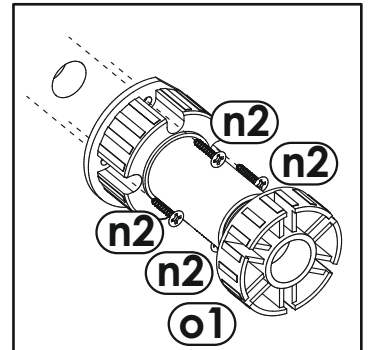
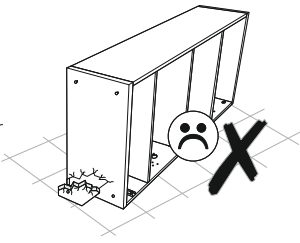
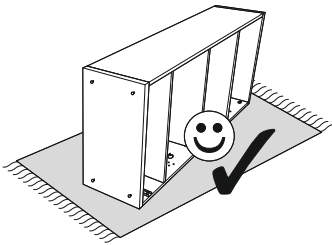
4



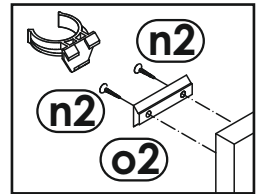
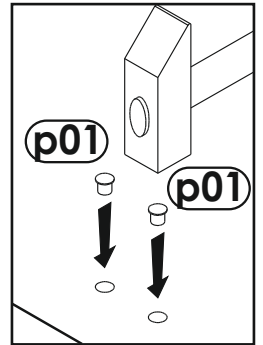
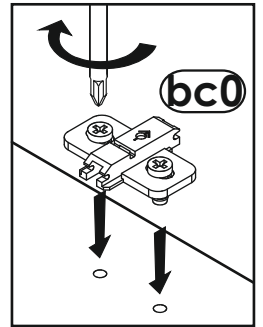
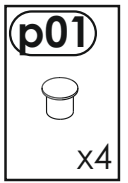
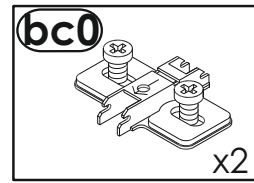
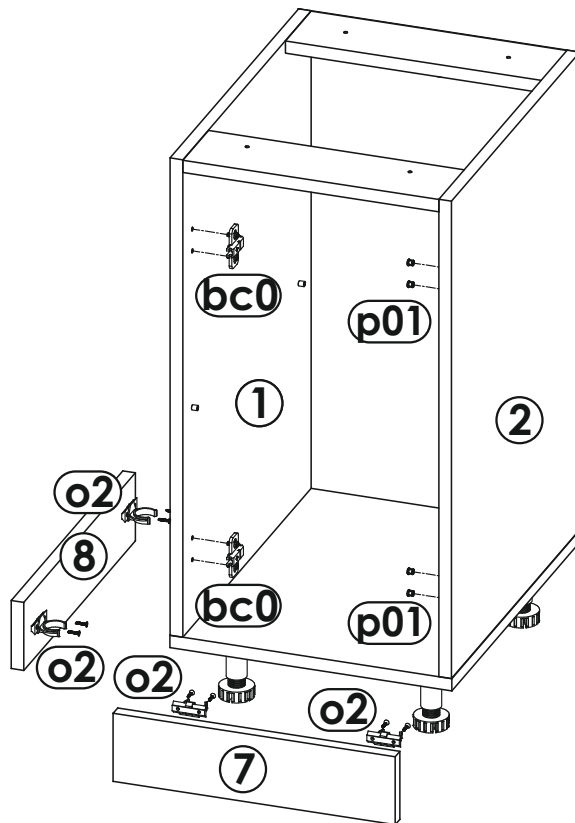
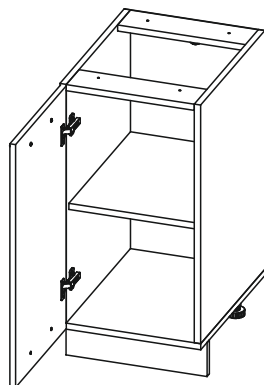
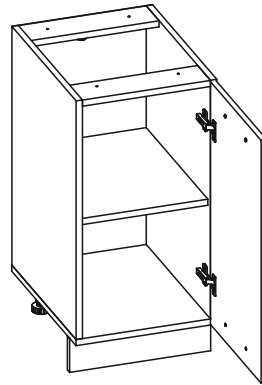
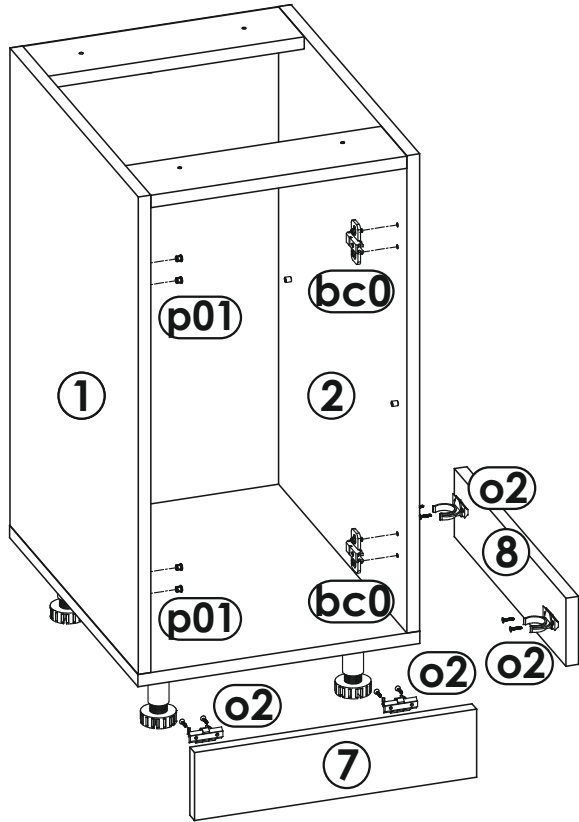
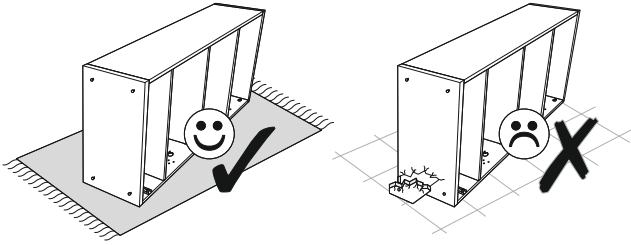
5



6



7



8

