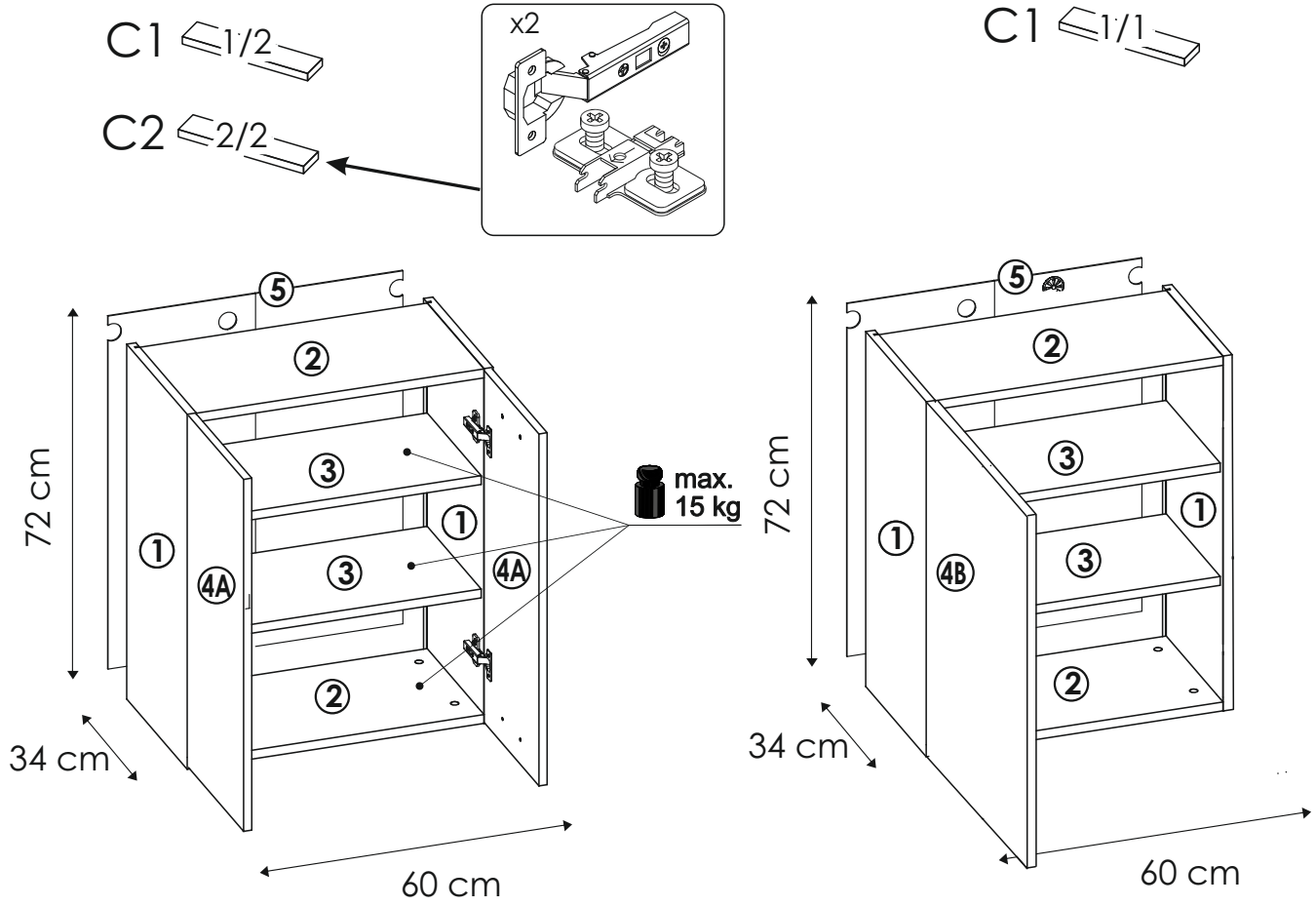


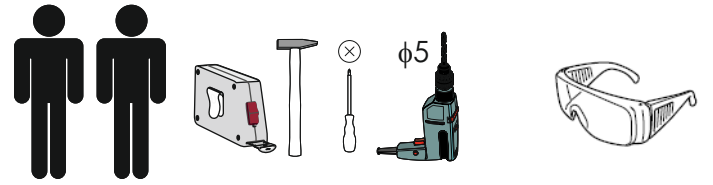
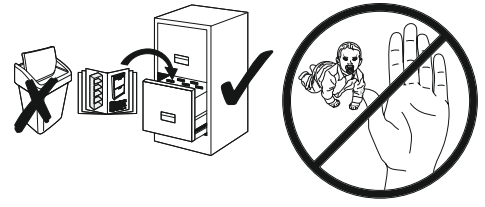
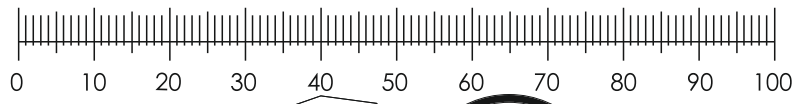
W2 60

W3 60



a1 8x35 x....(x8)	bc0 W2 60x2 W3 60x4	bc1 W2 60x2 W3 60x4	c1 Euro 4x13 x....(x8)	d2 x....(x8)	e0 x....(x8)	e1 x....(x8)	f1 x....(x8)	
i5 3,5x30 x....(x4)	m x....(x1)	n1 3x16 x....(x30)	p02 COLOUR x....(x16)	p8 x....(x1)	p17 x....(x1)	r2 x....(x16)	r4 x....(x6)	w16 x....(x1)

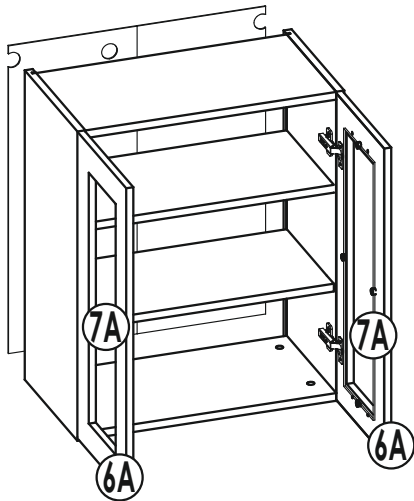
- C1 = 1/2
- ① - C1
- ② - C1
- ③ - C1
- ⑤ - C1
- C3 = 1/1
- ④A - C3
- C3 = 1/1
- ④B - C3
- C3 = 1/1
- ⑥A - C3
- ⑦A - C3
- C3 = 1/1
- ⑥B - C3
- ⑦B - C3



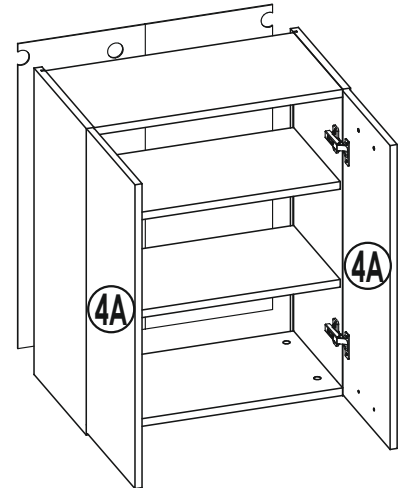
2 W2 60/2 W3 60

!

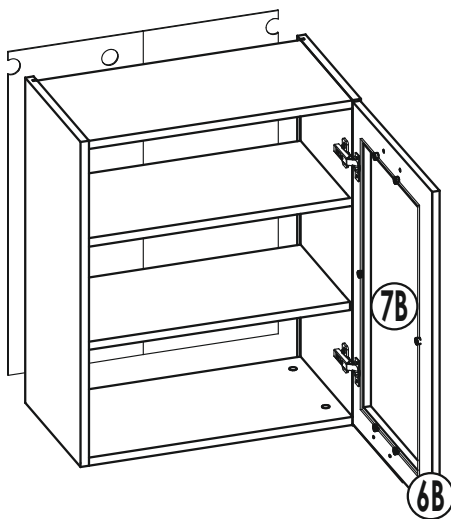
A



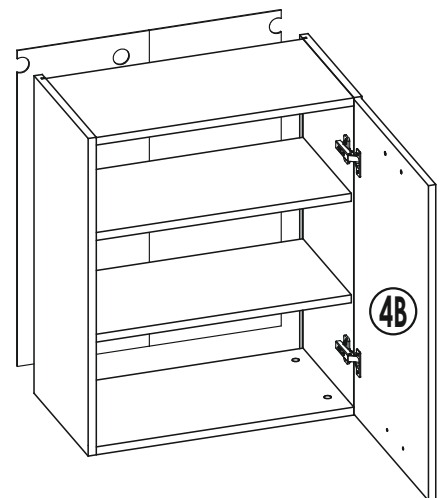
B



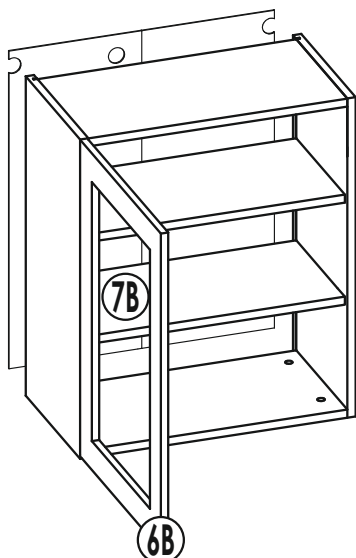
C



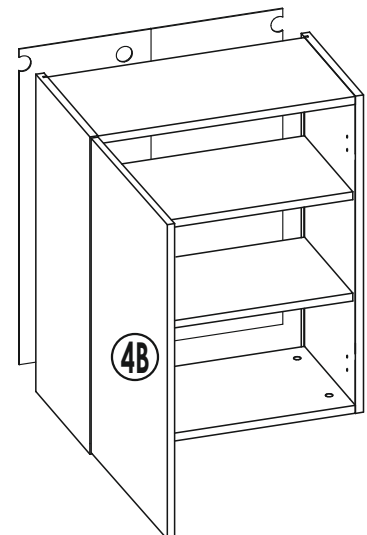
D

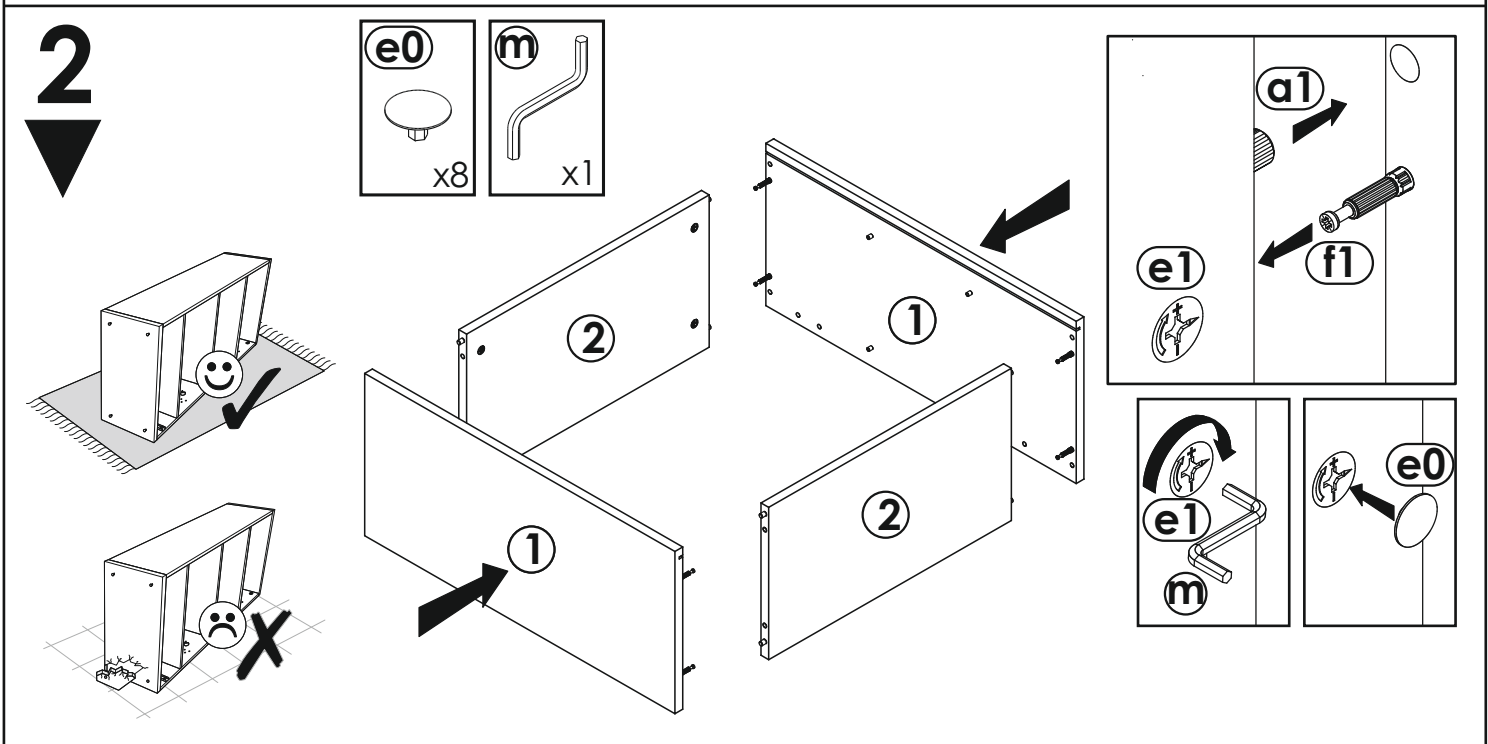
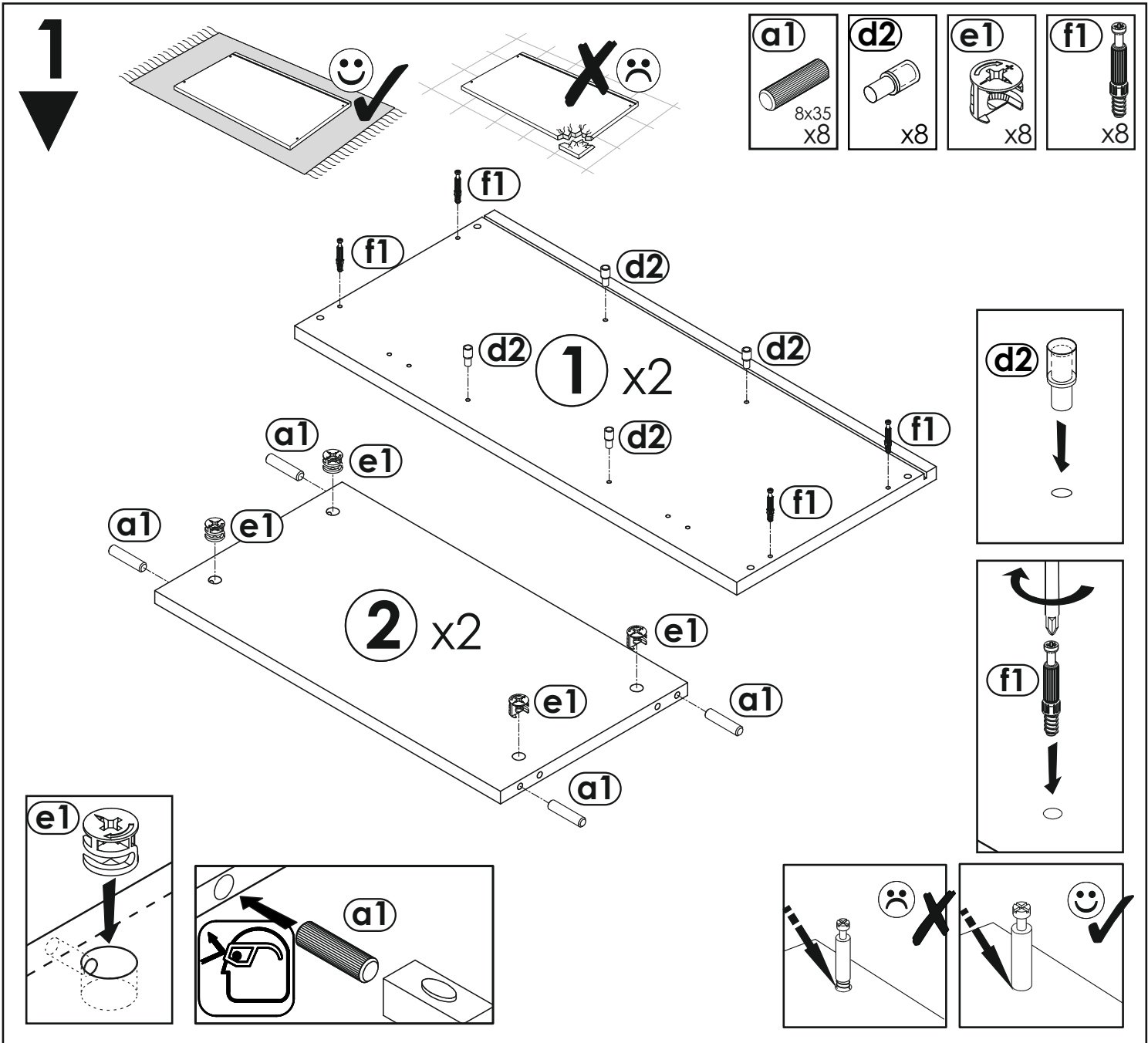


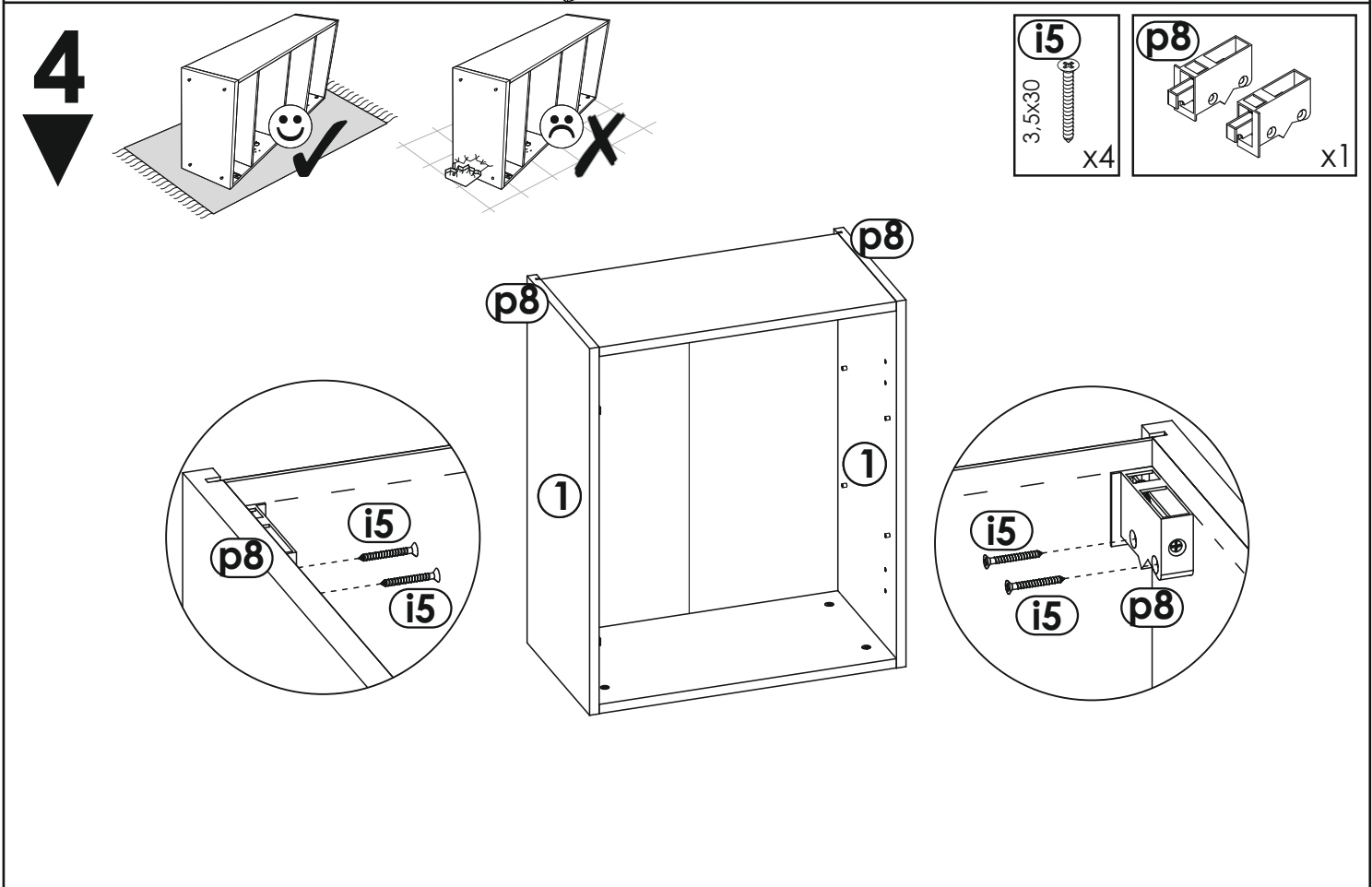
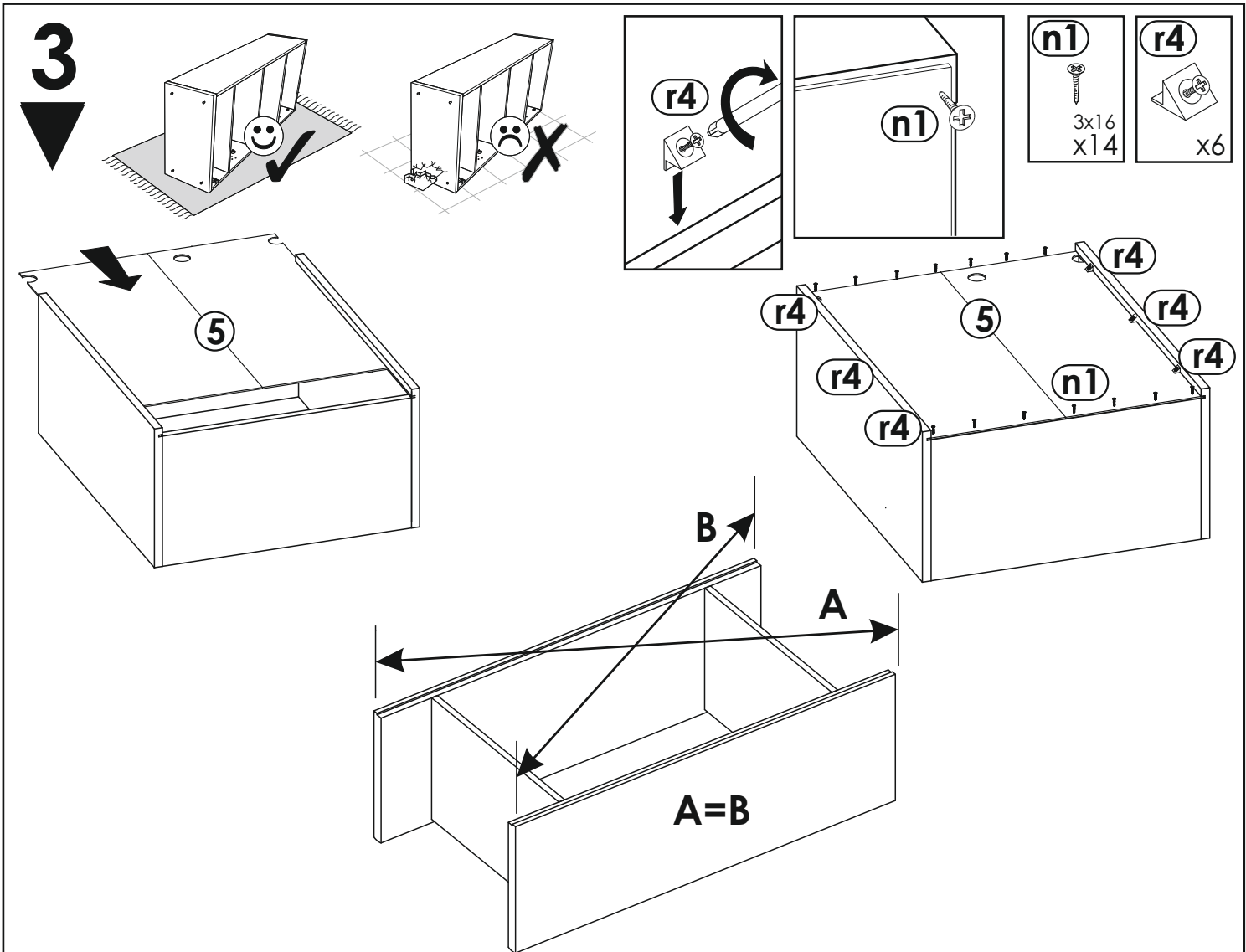
E



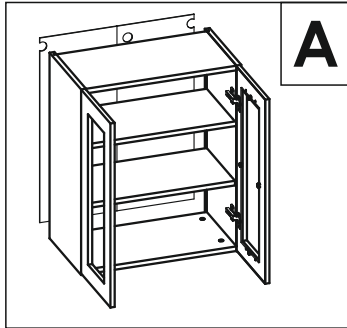
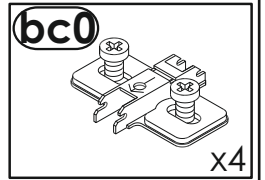
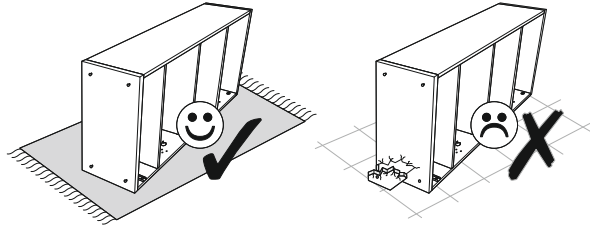
F



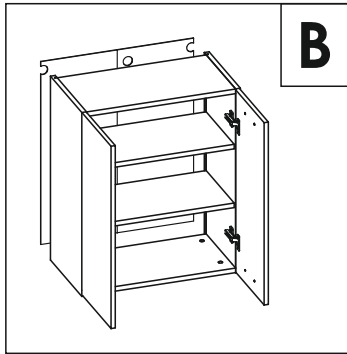




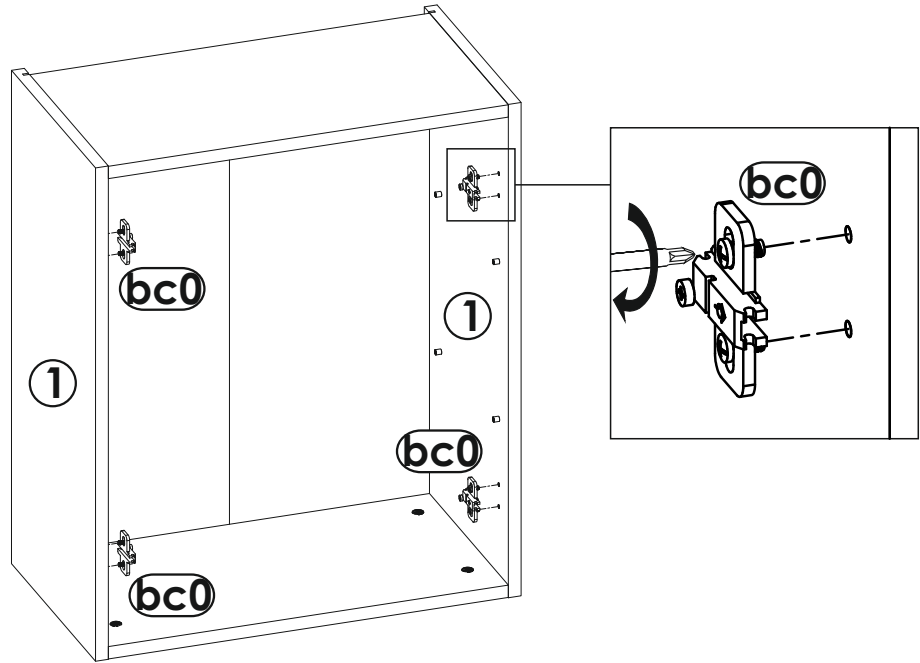
5-A, B



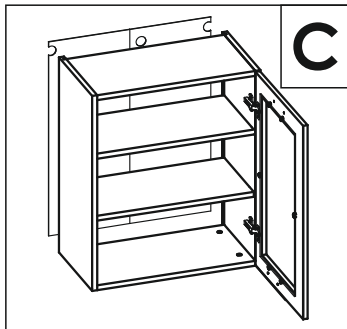
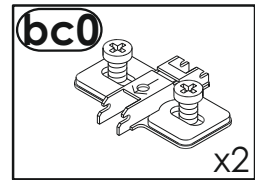
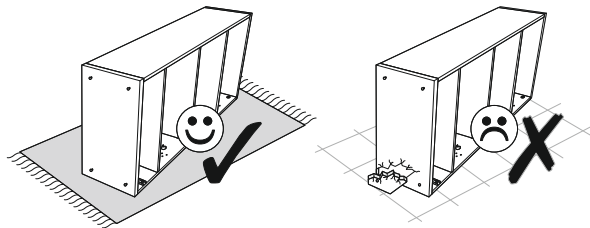
A



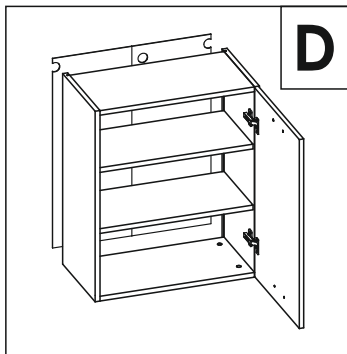
B



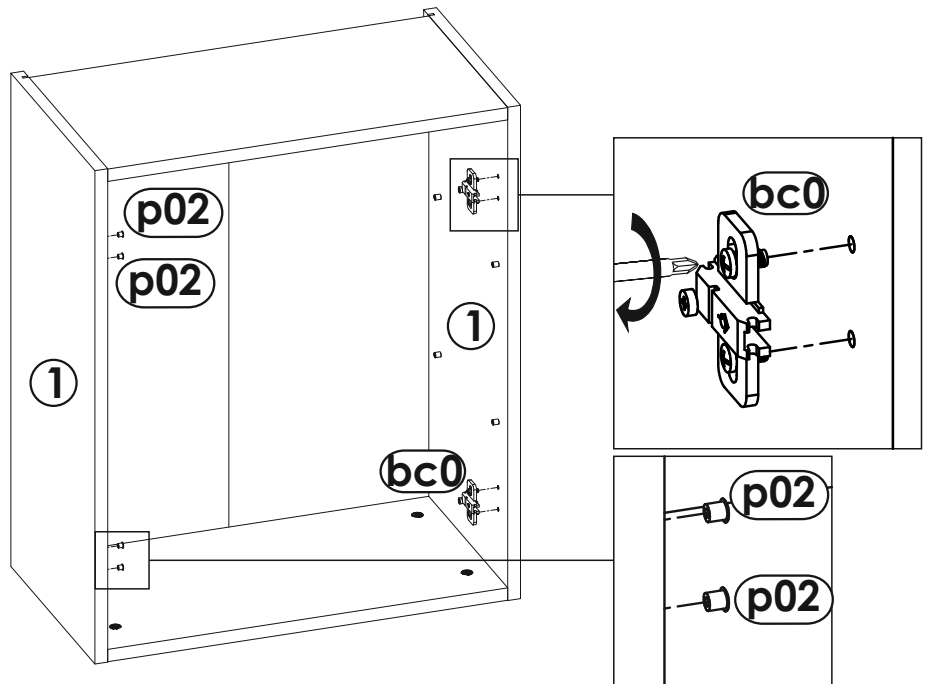
5-C, D



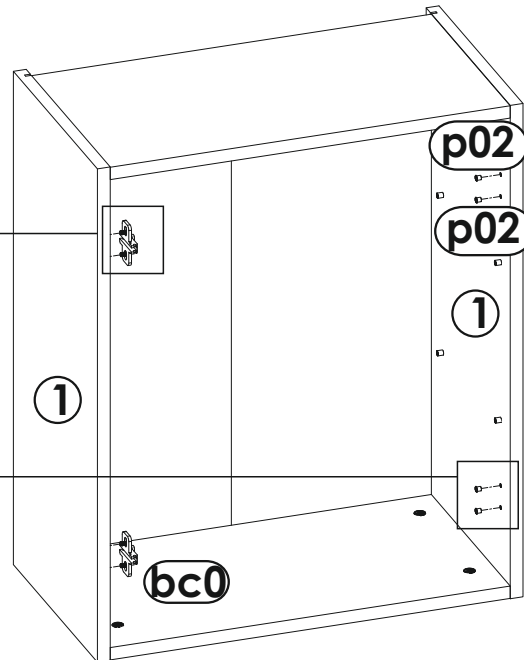
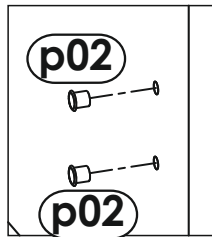
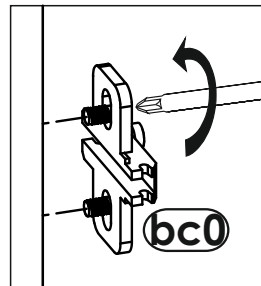
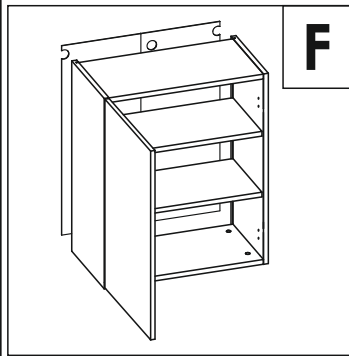
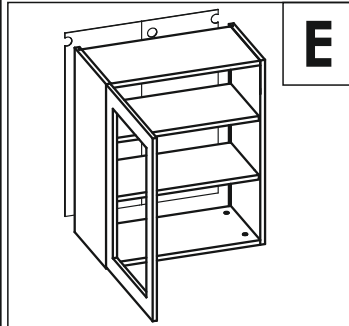
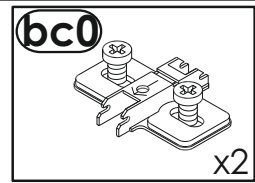
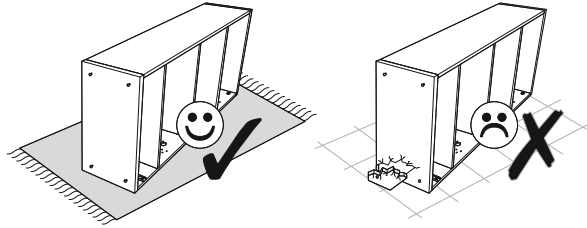
C



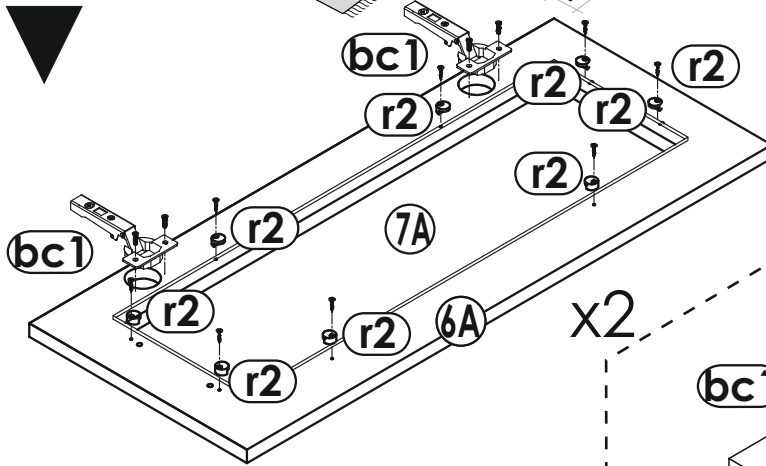
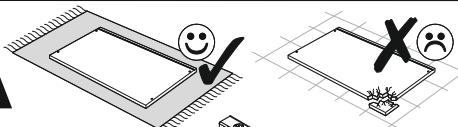
D



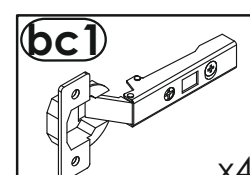
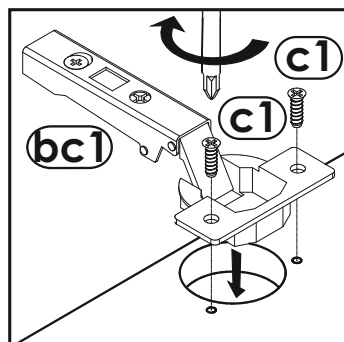
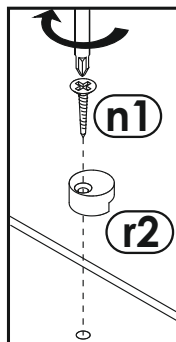
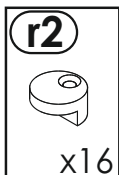
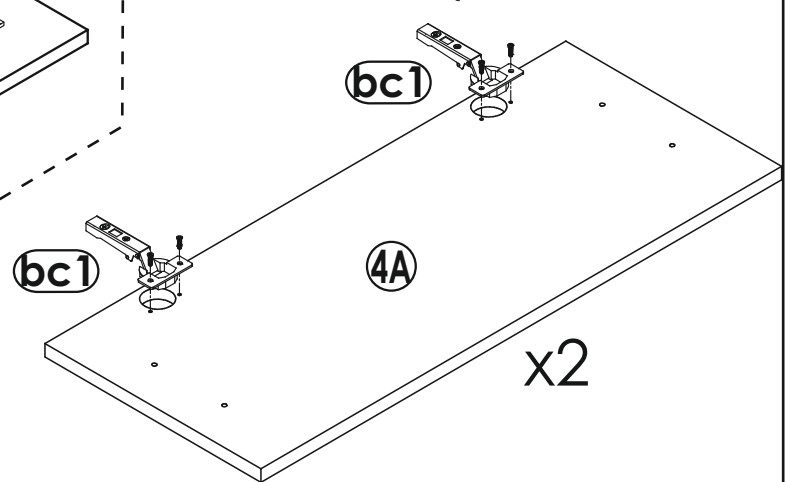
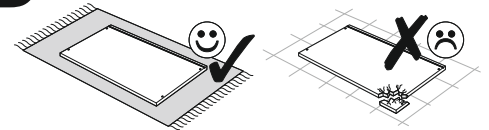
5-E, F



6-A

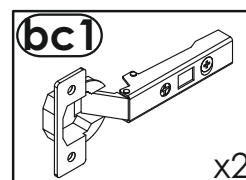
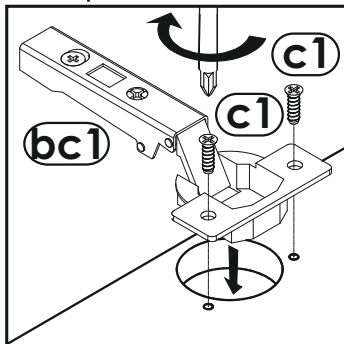
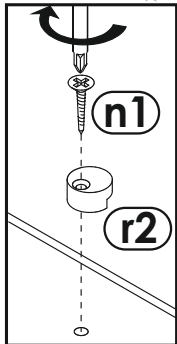
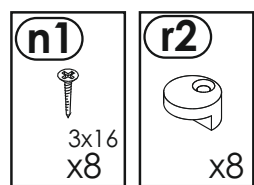
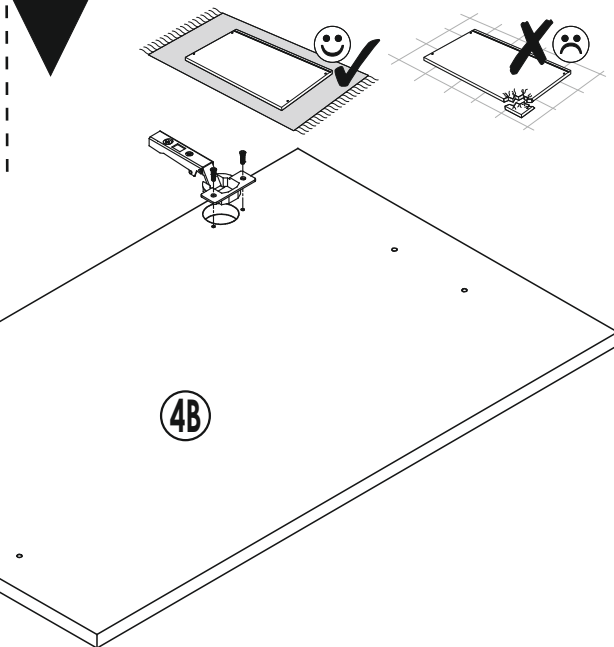
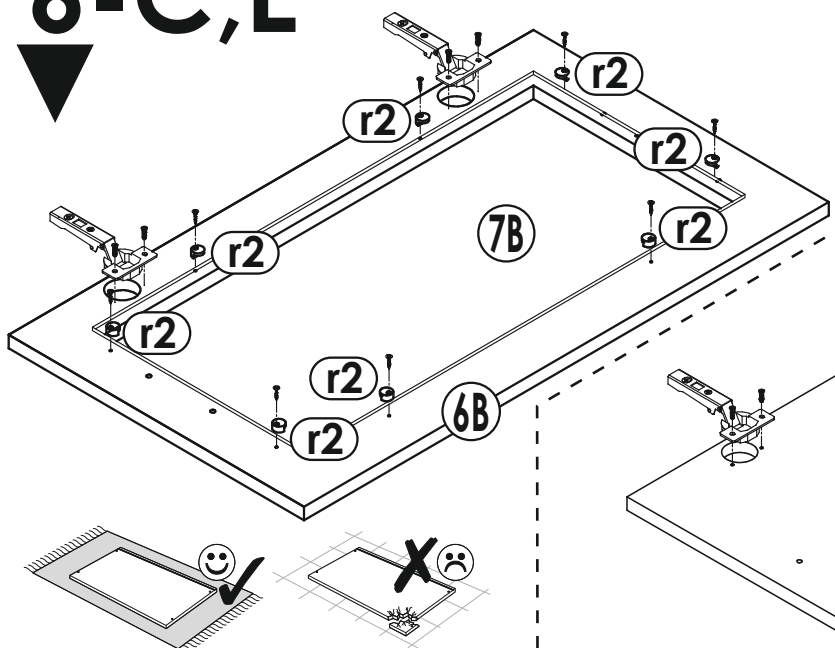


6-B



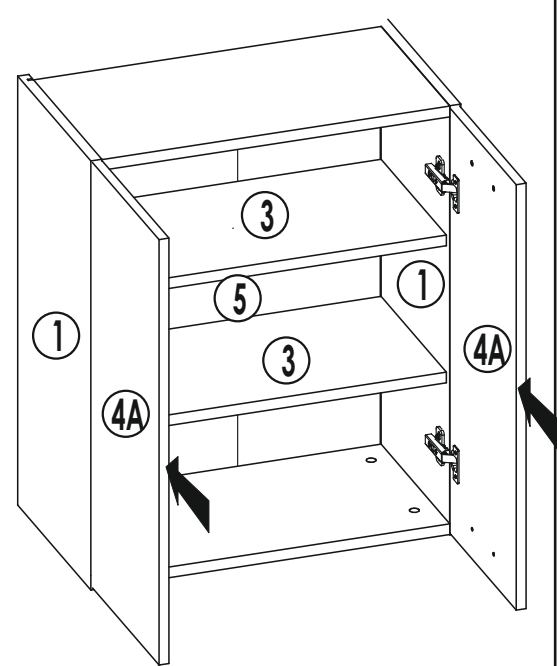
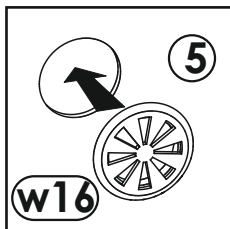
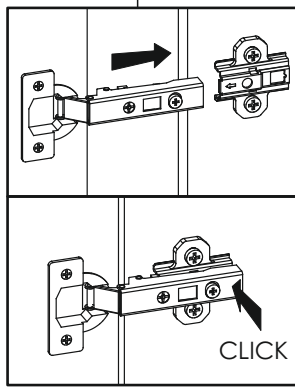
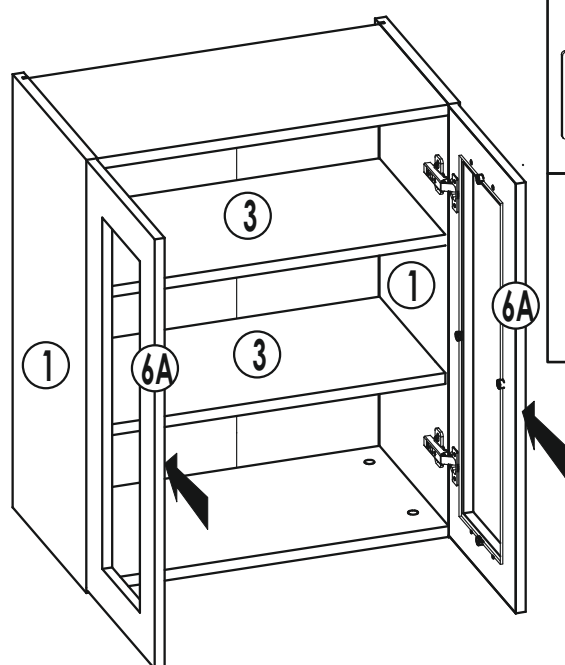
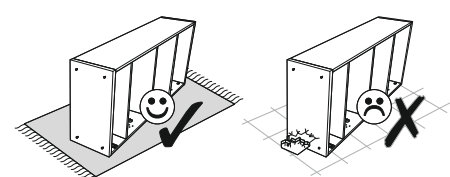
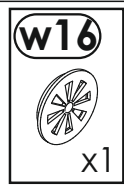
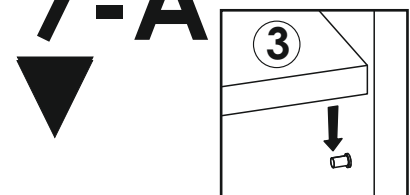
6-C,E

6-D,F

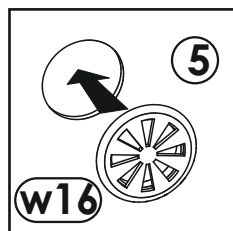
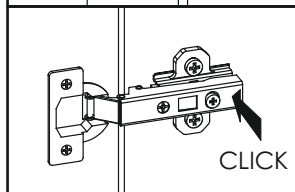
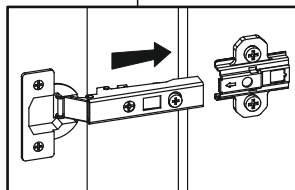
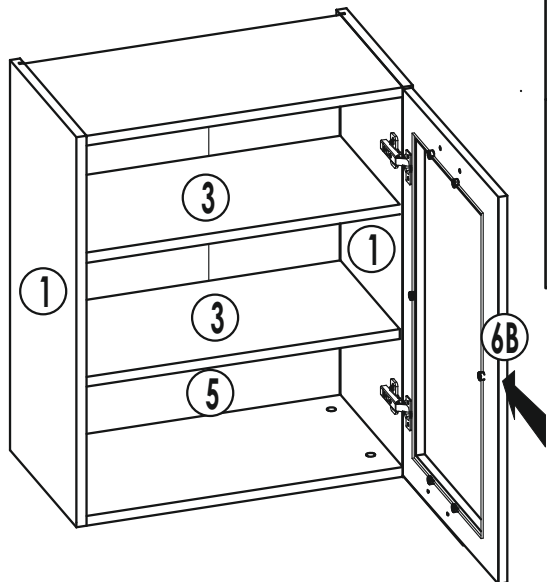
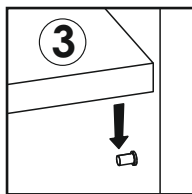


7-A

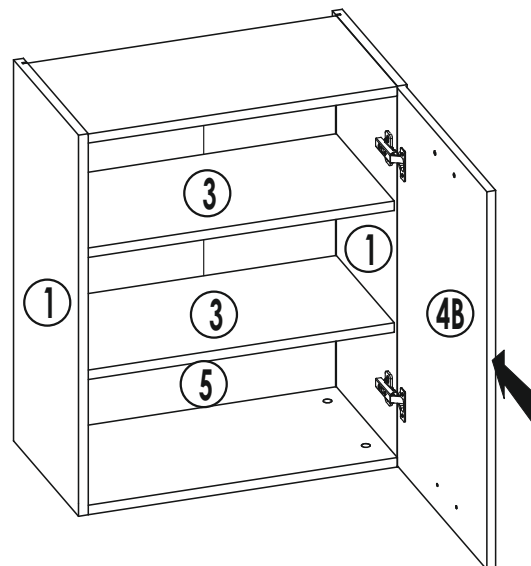
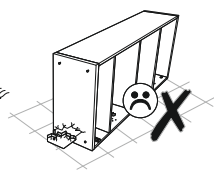
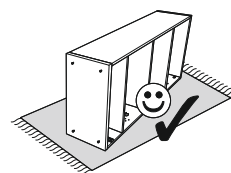
7-B



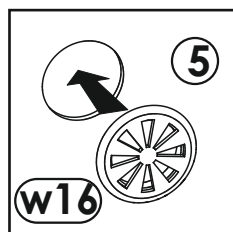
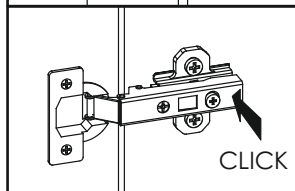
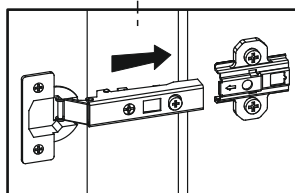
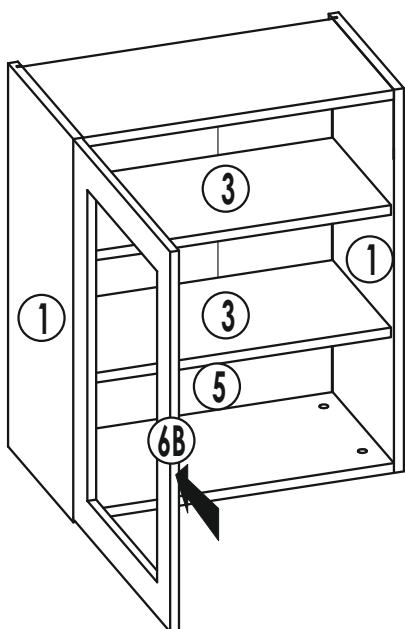
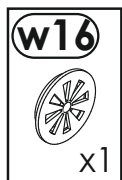
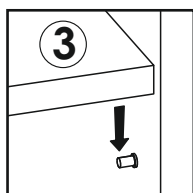
7-C



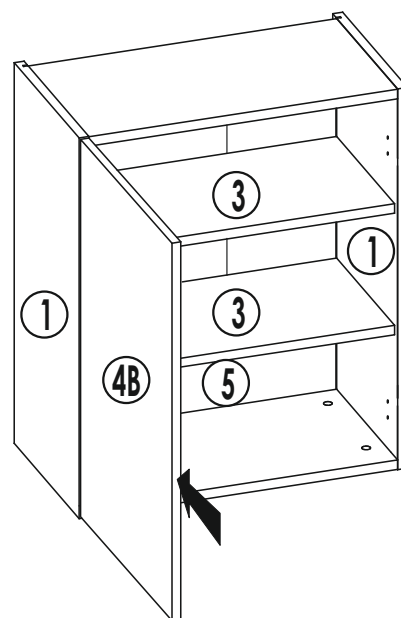
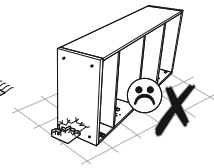
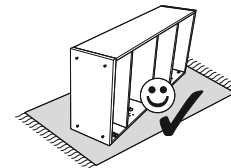
7-D



7-E



7-F

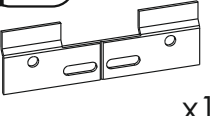


8



p02

 COLOUR
 x8

p17

 x1

x4
