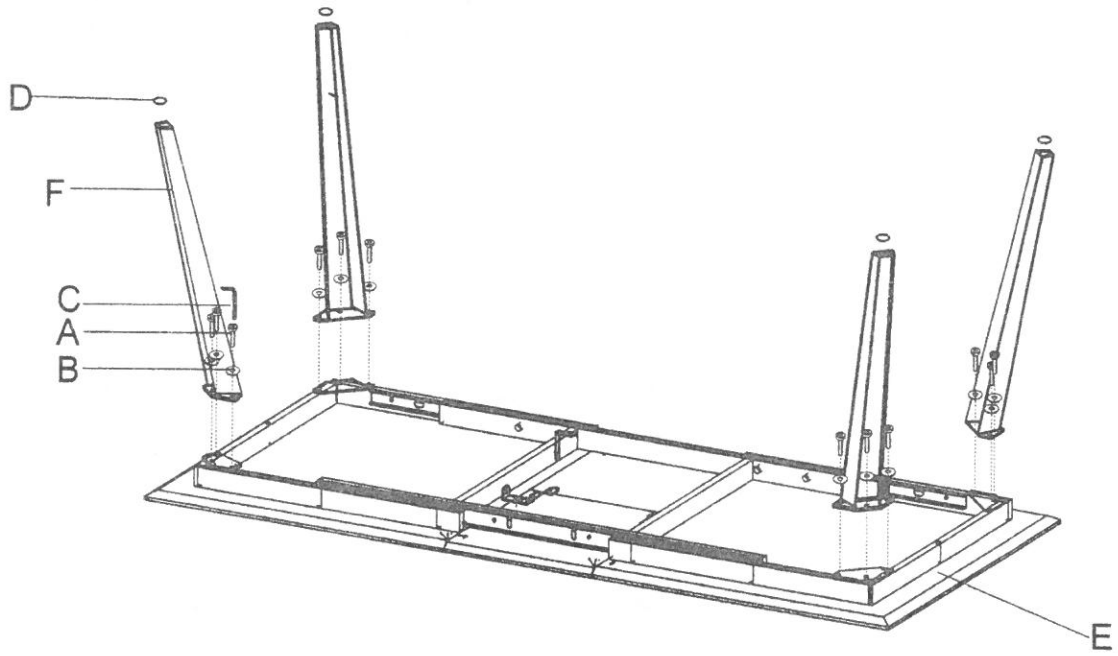
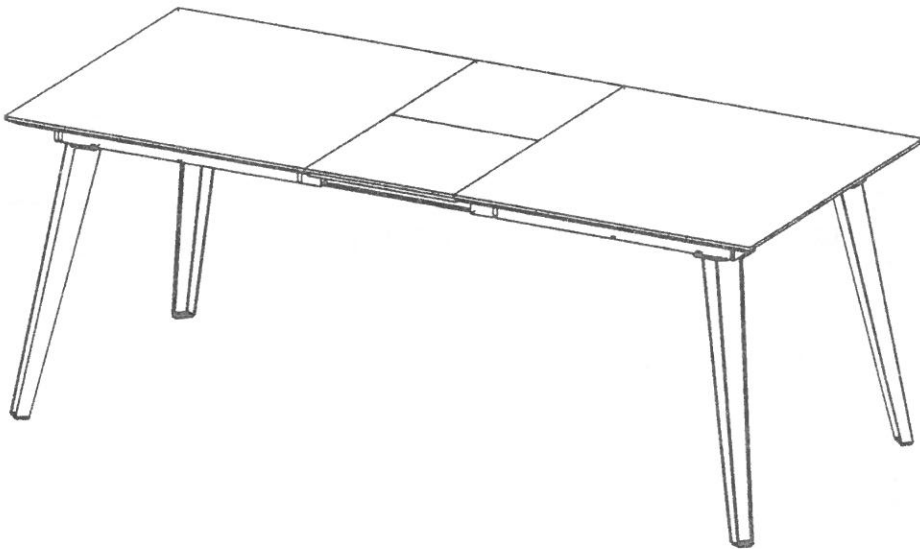


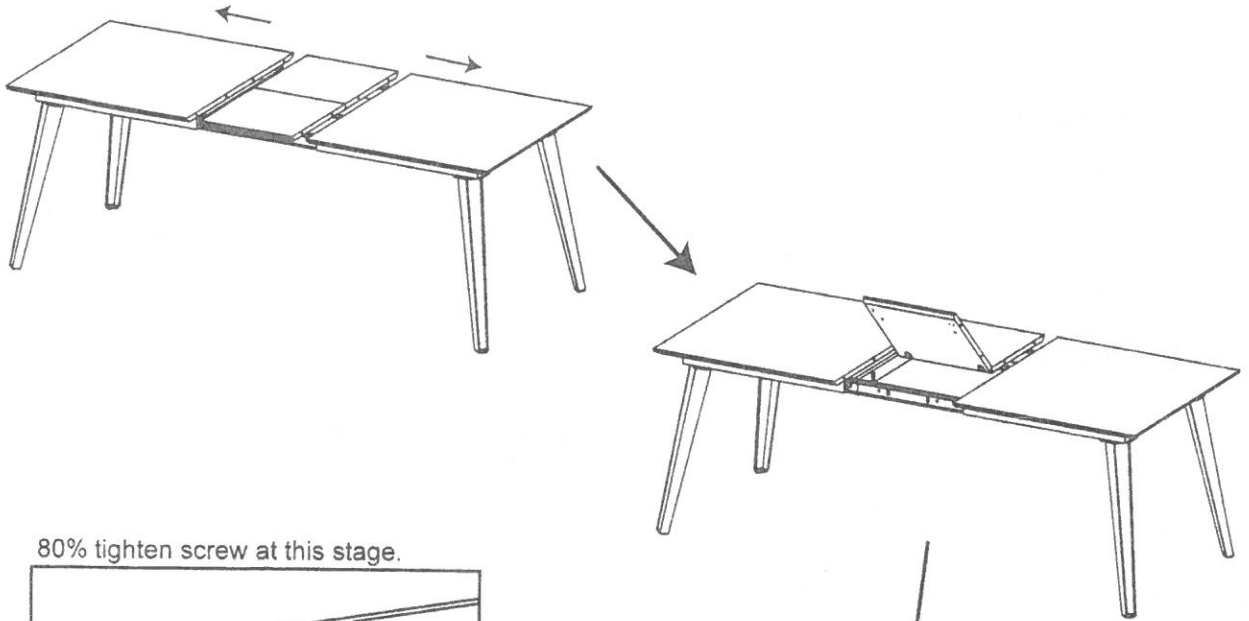
1



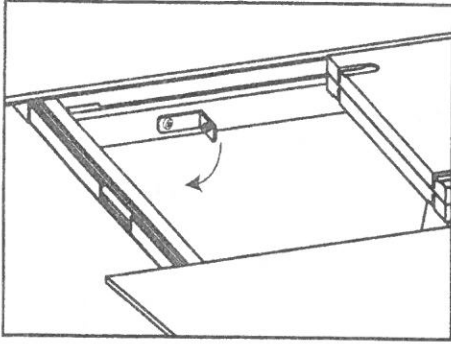
2



3



80% tighten screw at this stage.



before using, the iron plate need to be vertical like the picture position, then 100% tighten up the screw

