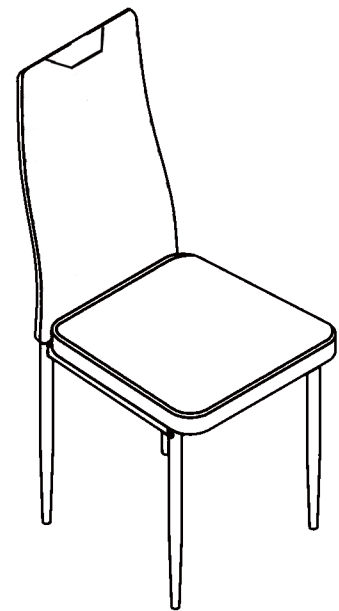
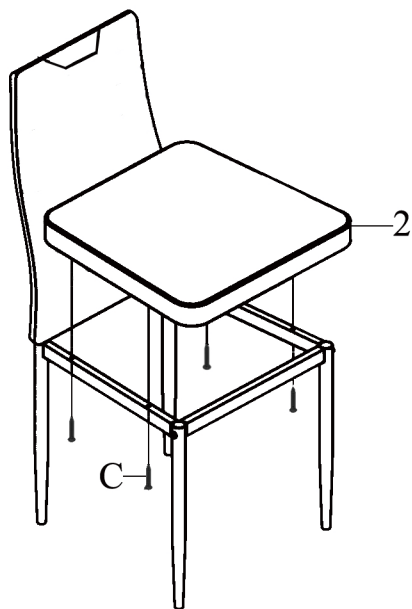
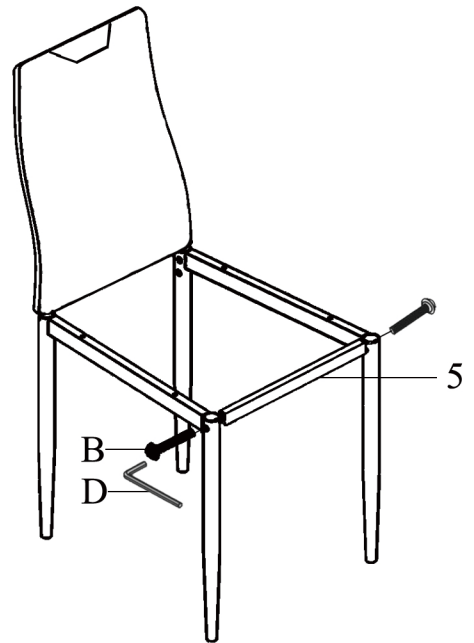
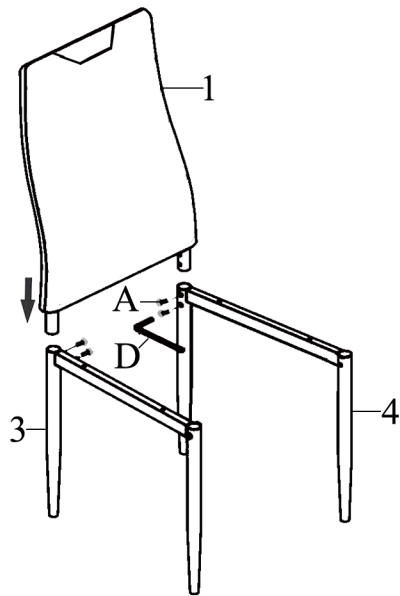


Do not fully tighten the bolts at this stage



1		4	
	x1		x1
2		5	
	x1		x1
3			
	x1		

A	M6X13MM 	B	M6X40MM 
	x4		x2
C	M4X45MM 	D	
	x4		x1