


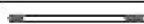










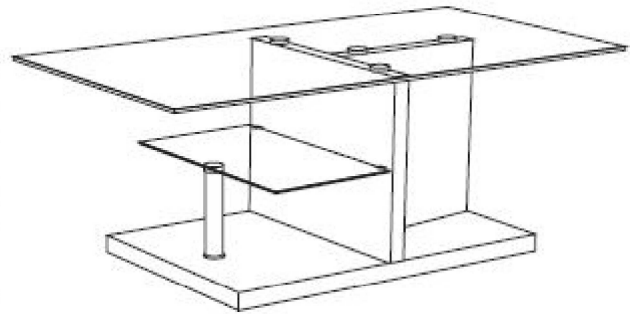


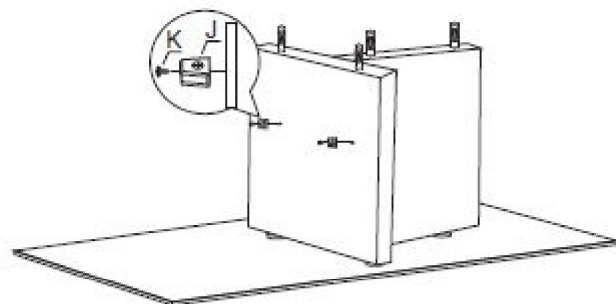
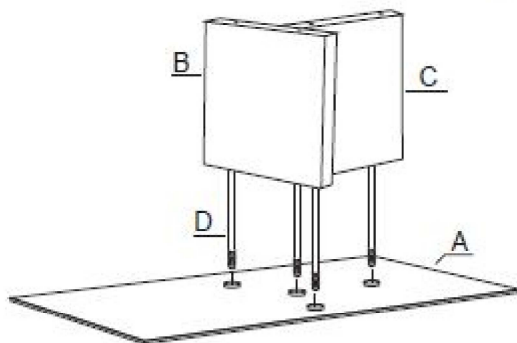
HARDWARE LIST			
NO.	PART	DESCRIPTION	Q'TY
A		glass top	1
B		frame board 1	1
C		frame board 2	1
D		long rod	4
E		rod	1
F		stainless tube	1
G		plastic gasket	1
H		glass bottom	1
I		base	1
J		plastic fastener	2
K		nail	2
L		caps	5
M		screw nut	5
N		hexagon spanner	1

LCT468



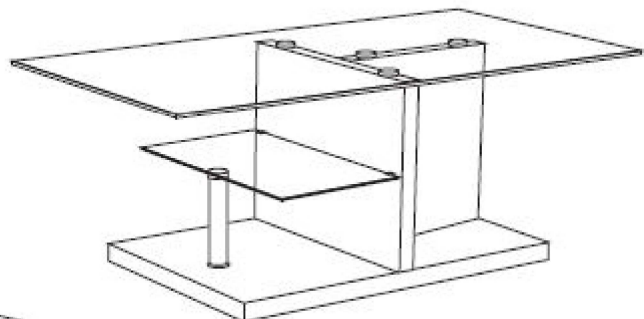
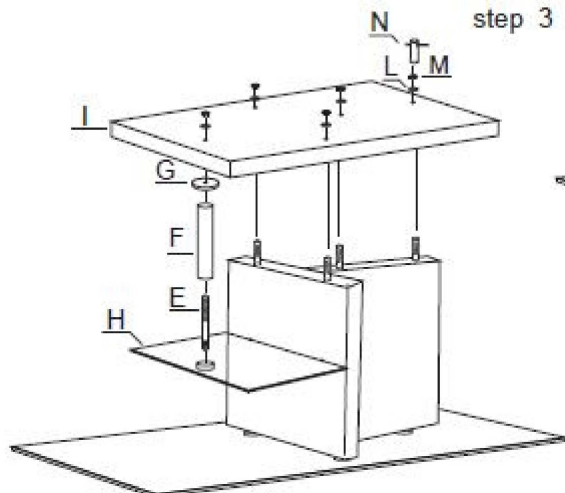
step 1

step 2



step 3

step 4



LCT468 1/1