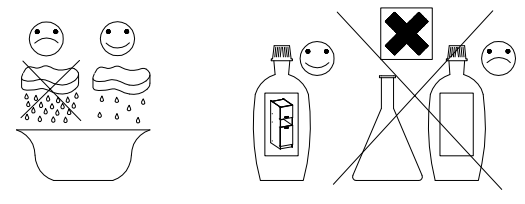
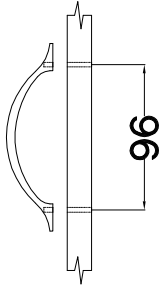
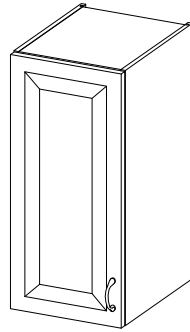
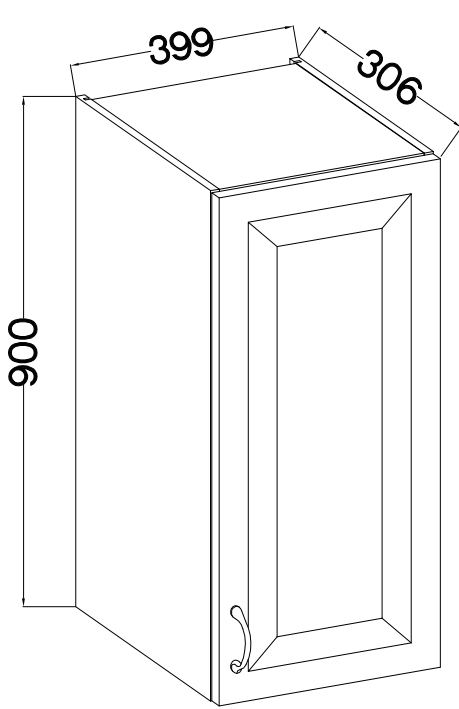


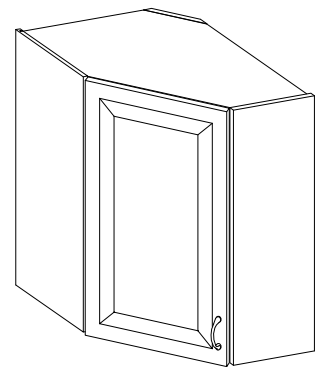
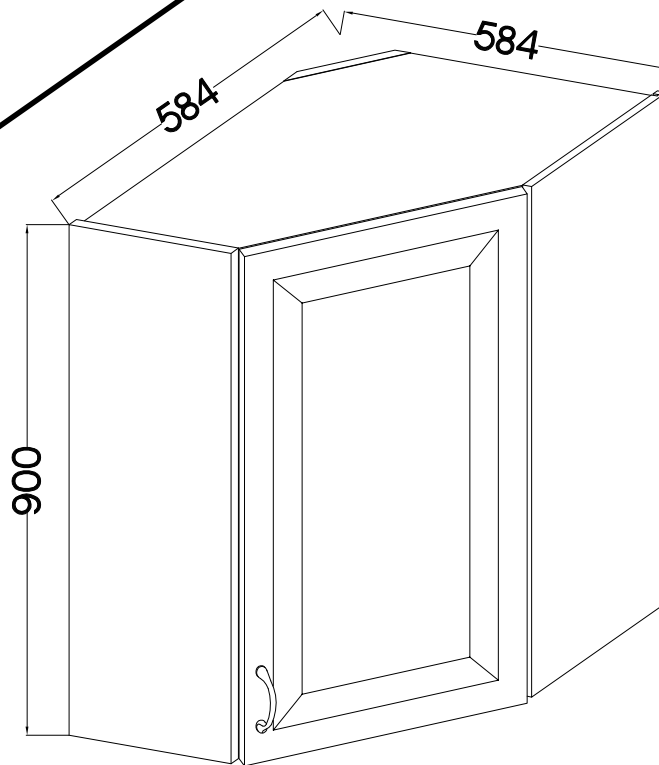
FRONT



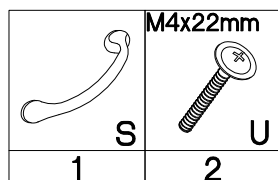
40 G-90 1F



58x58 GN-90 1F



KUH.70770



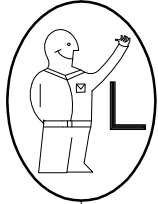
ISM-KUH-01199

1

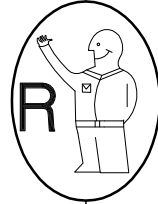
40 G-90 1F

LEFT

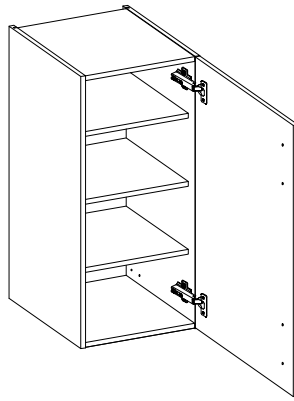
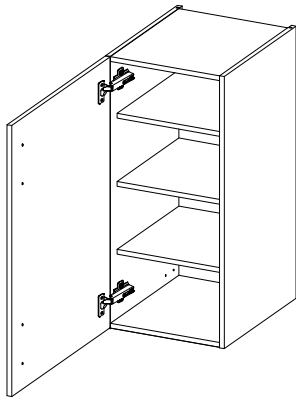
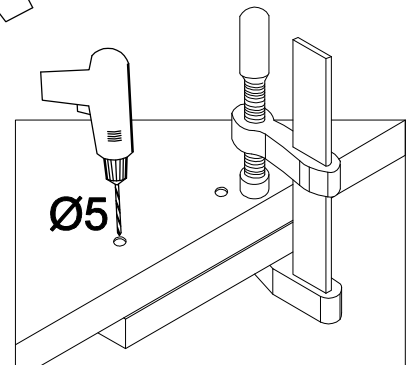
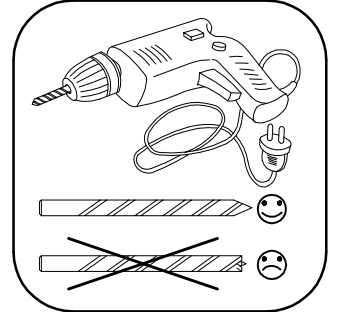
RIGHT





KUH.70770

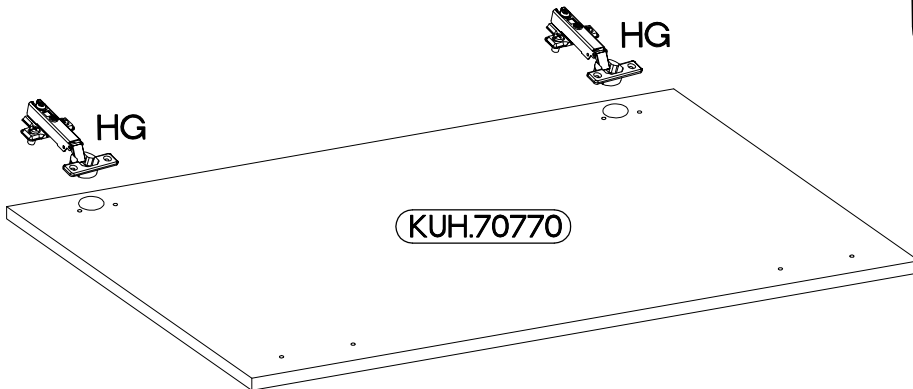
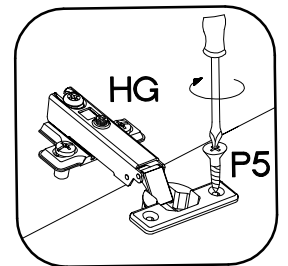


KUH.70770



2

 HG 2	 P5 4
--	--

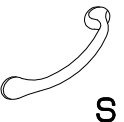


M4x22mm



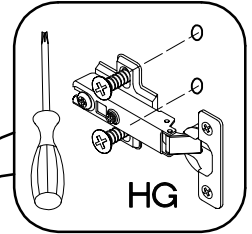
U

2

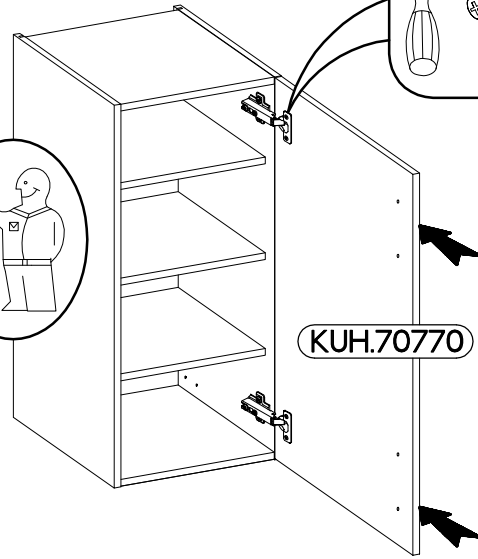
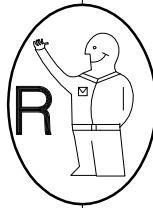


S

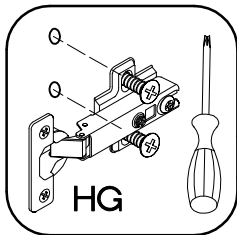
1



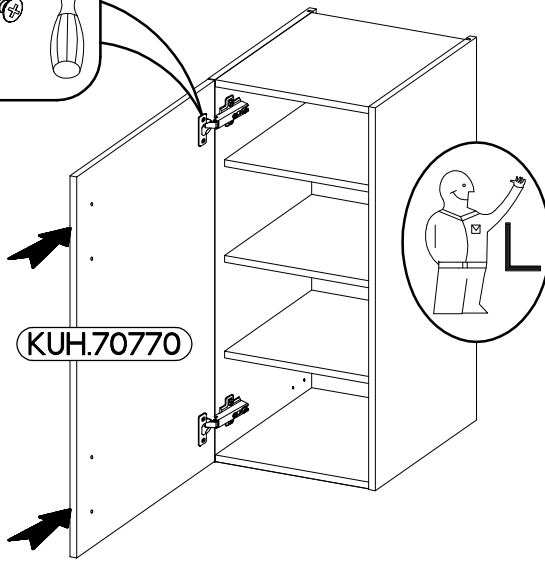
HG



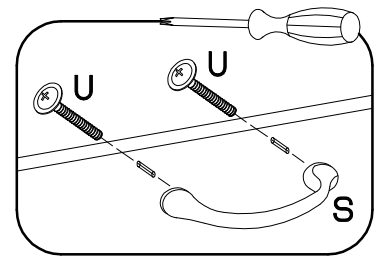
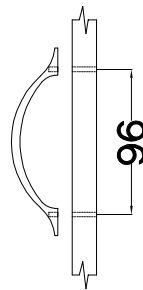
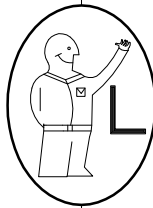
KUH.70770



HG

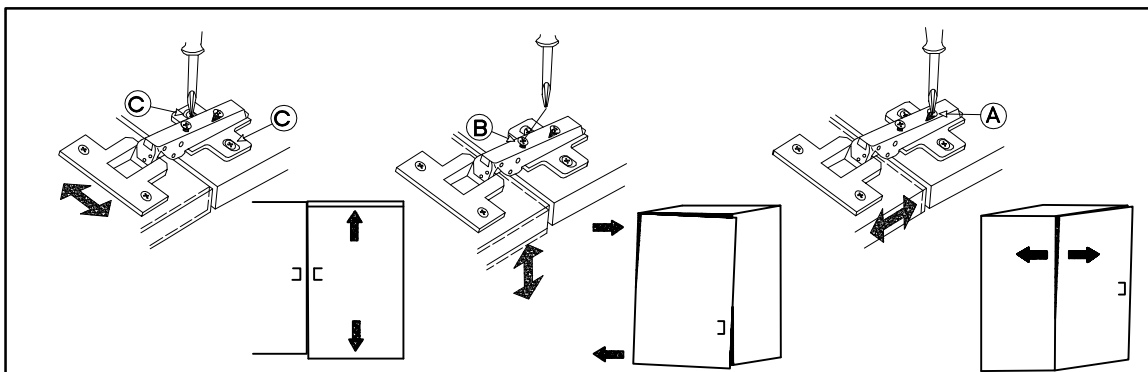


KUH.70770



U

S

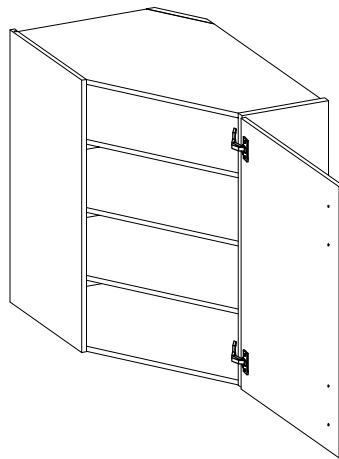
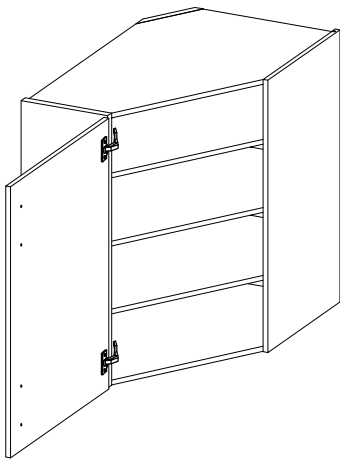
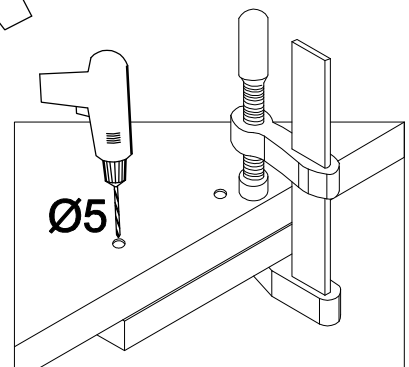
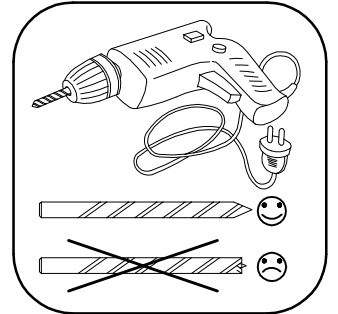
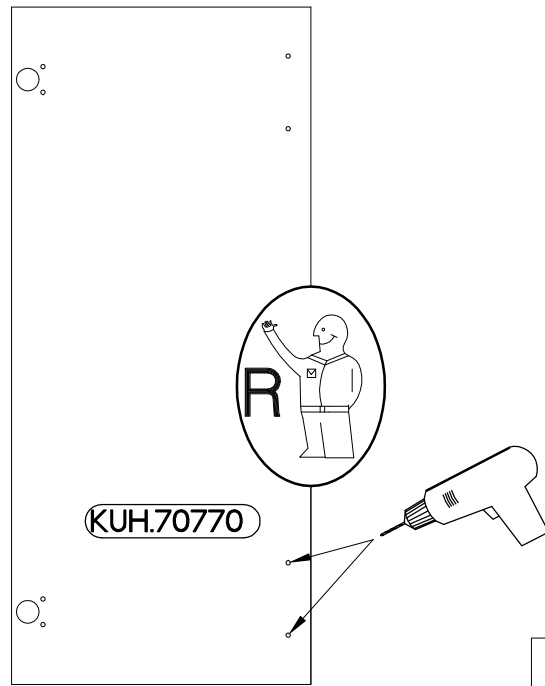
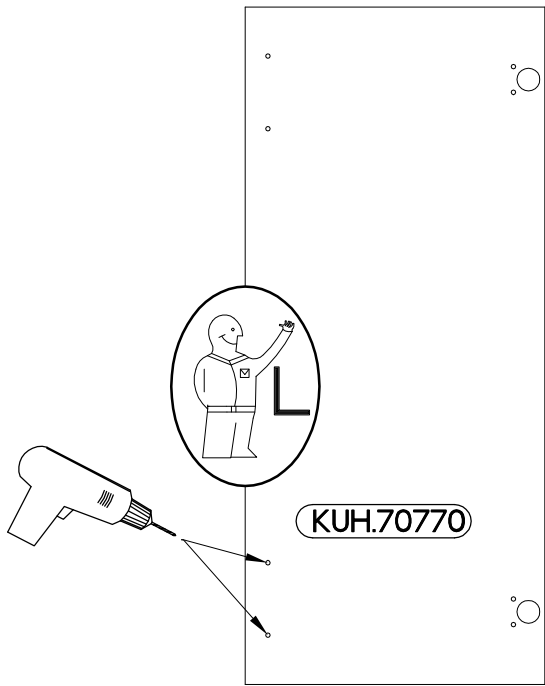


# 4


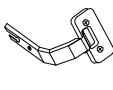

# 58x58 GN-90 1F

### LEFT

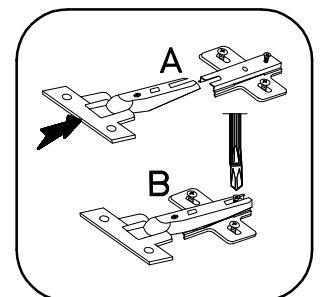
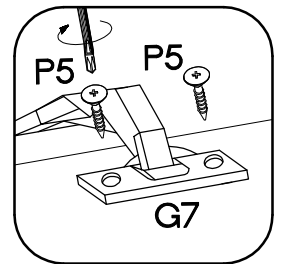
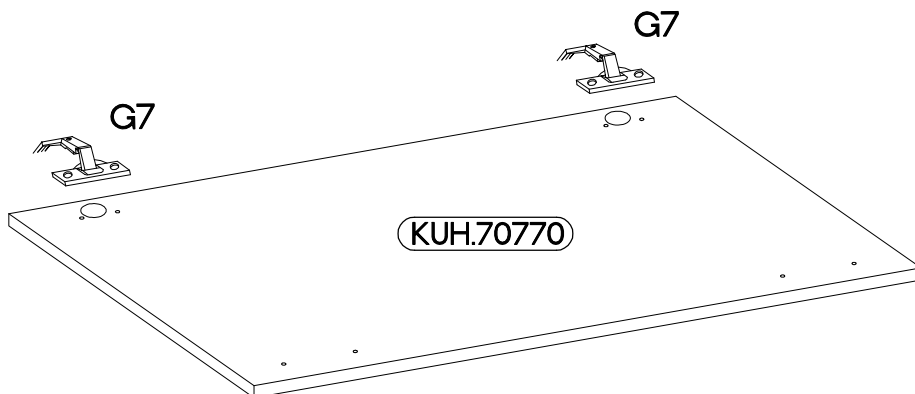
### RIGHT



# 5

		
H	G7	P5
2	2	4

Part P5 is specified as  $\text{+}3.5 \times 13 \text{mm}$ .



6

M4x22mm



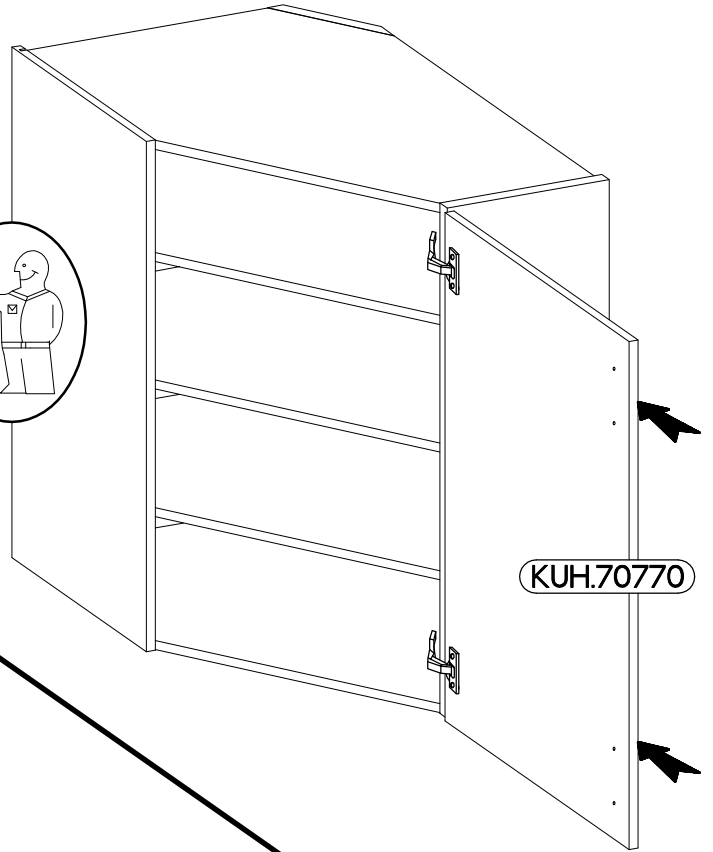
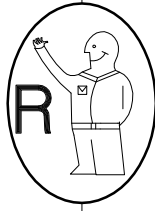
U

2

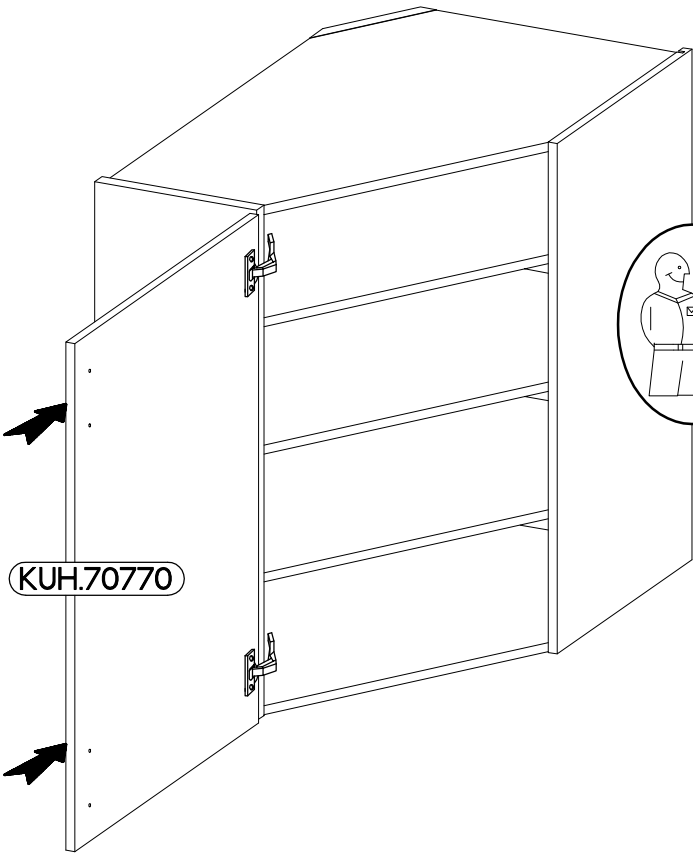
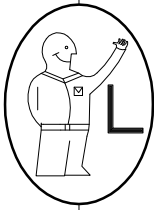


S

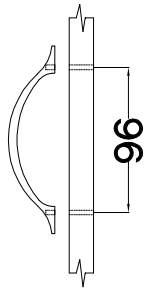
1



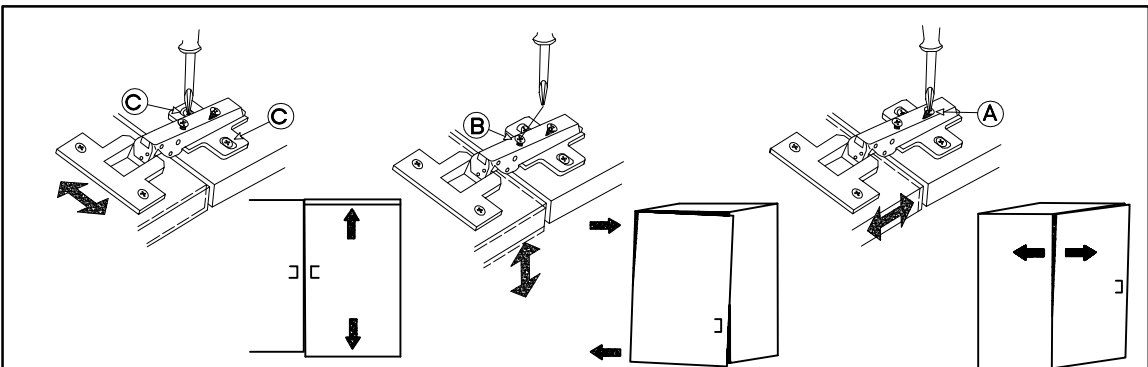
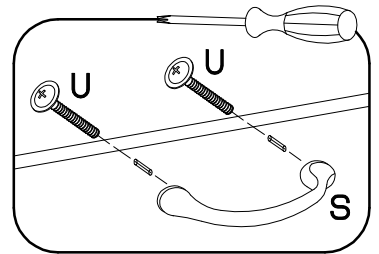
KUH.70770

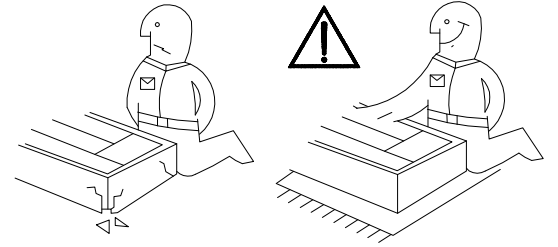
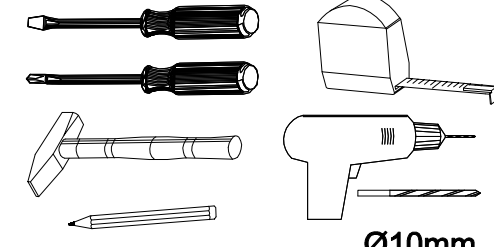
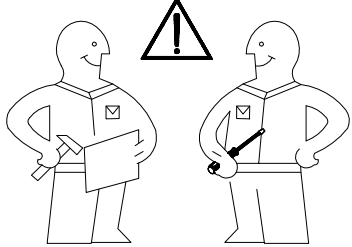


KUH.70770

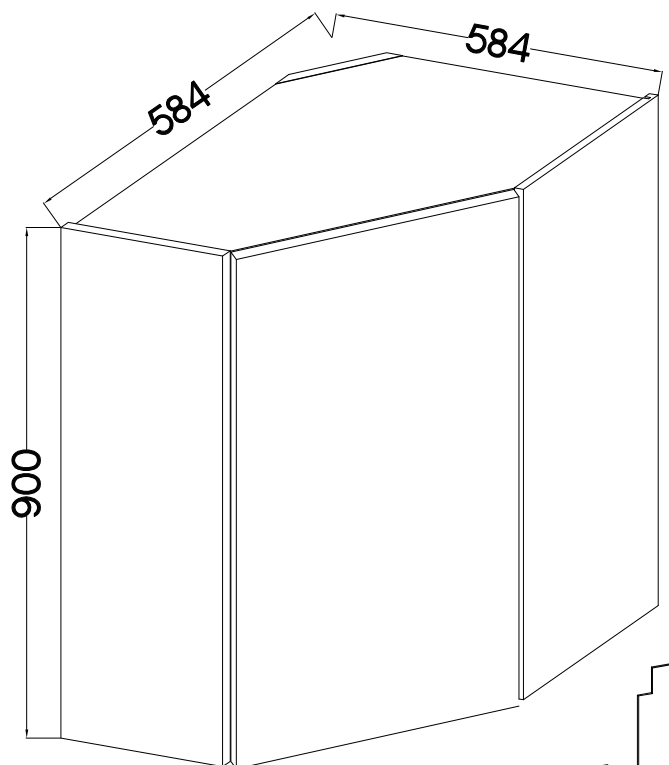
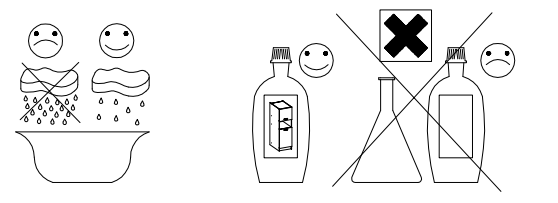


96

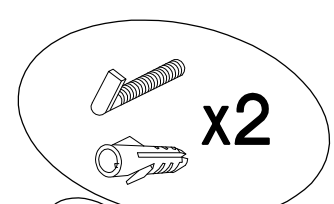
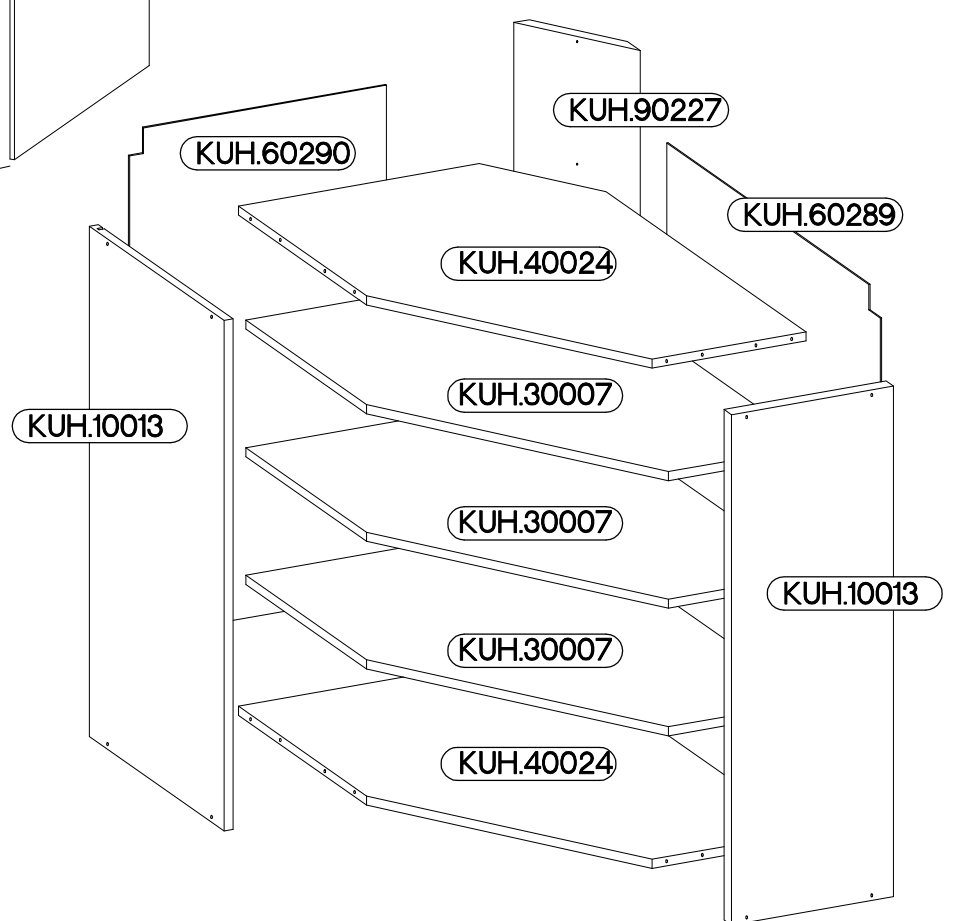
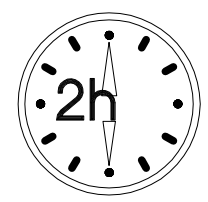




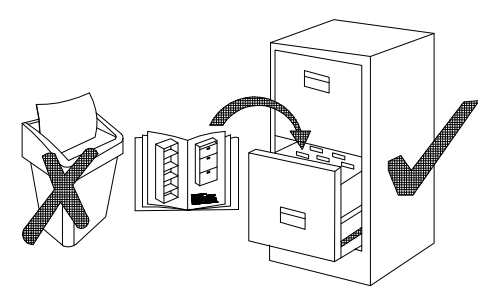
58x58 GN-90 1F  
Ø10mm



max. 5kg  
KUH.30007  
KUH.40024

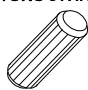

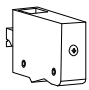


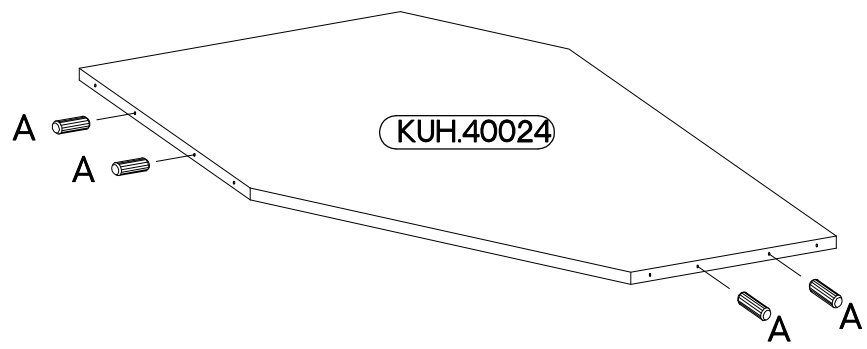
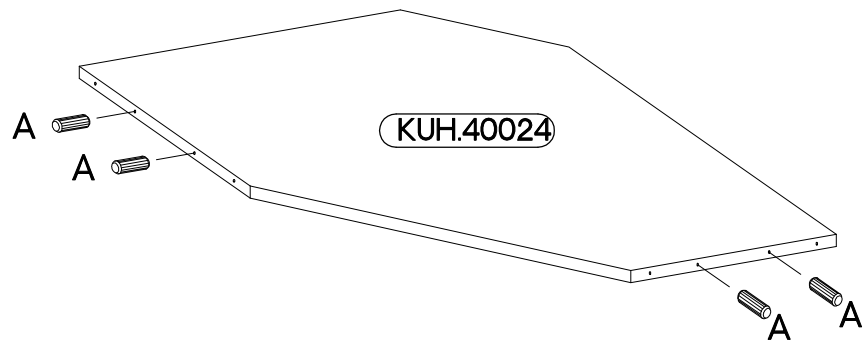
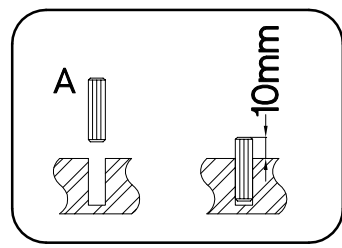
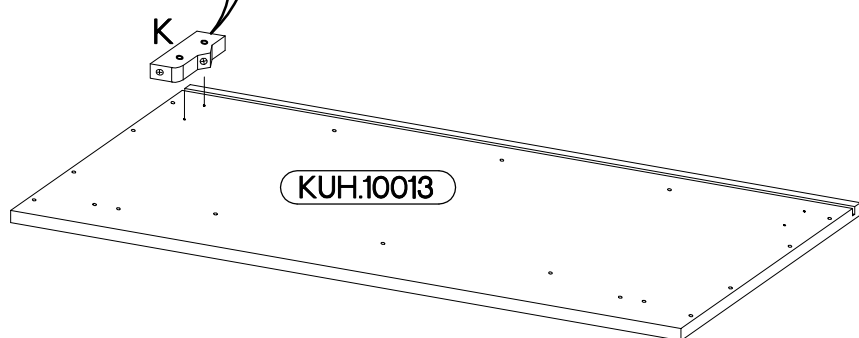
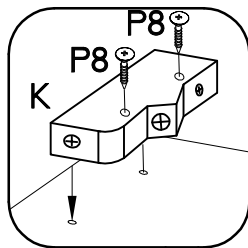
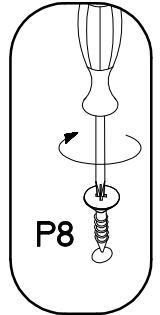
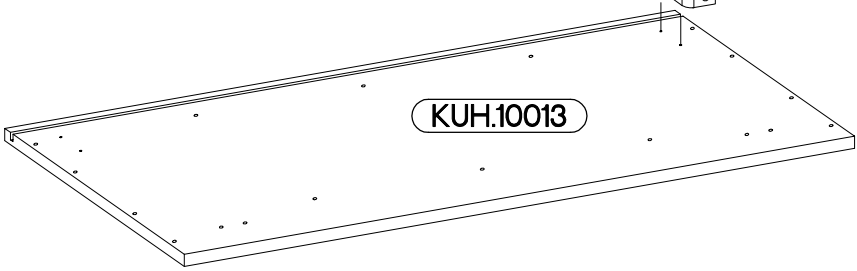
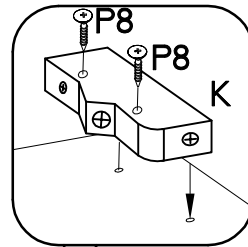
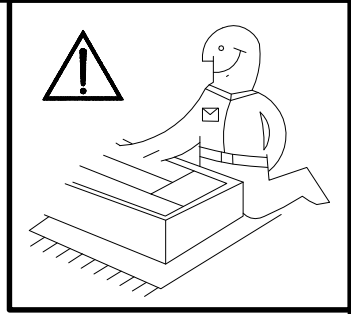
+8x30mm  A 8	6,4 x 50mm  B 10	 E1 8	 G7 2			
 H 2	+5/19mm  J 15	 K 2	 O 1	+3.5x13mm  P5 4	+3.0x20mm  P7 15-20	+4.0x30mm  P8 4



ISM-KUH-01149

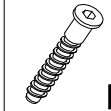
1

 +8x30mm A	 +4.0x30mm P8	 K
8	4	2



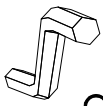
2

6,4 x 50mm



B

4



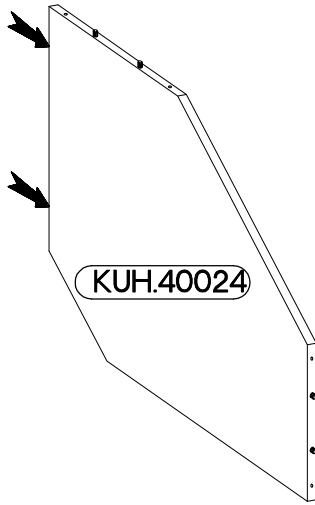
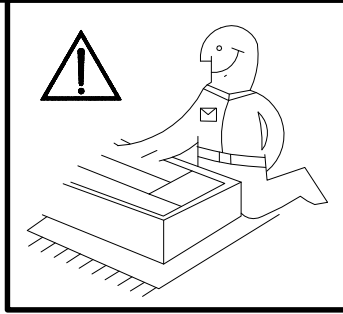
O

1

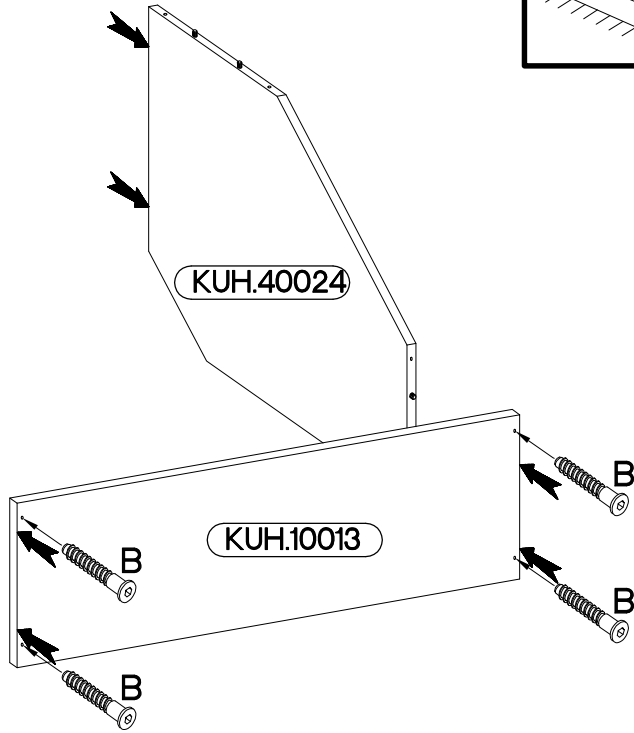


E1

4

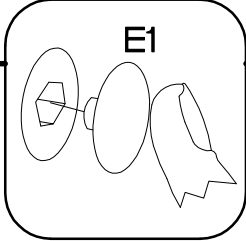
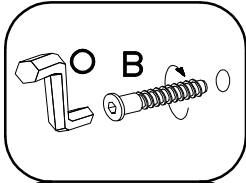


KUH.40024

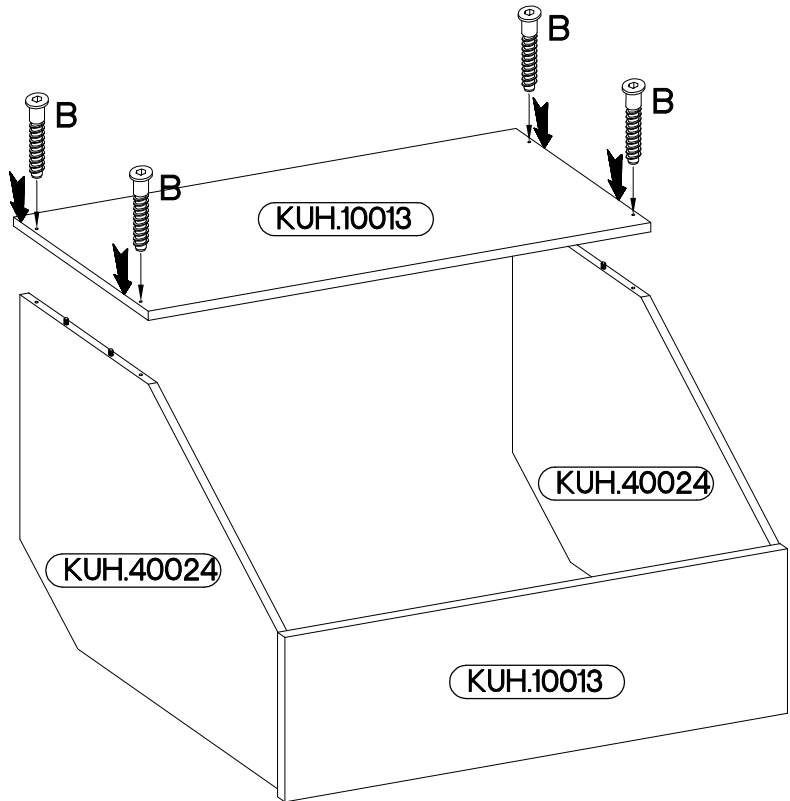


KUH.40024

KUH.10013



3



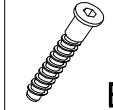
KUH.10013

KUH.40024

KUH.40024

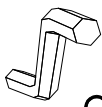
KUH.10013

6,4 x 50mm



B

4



O

1




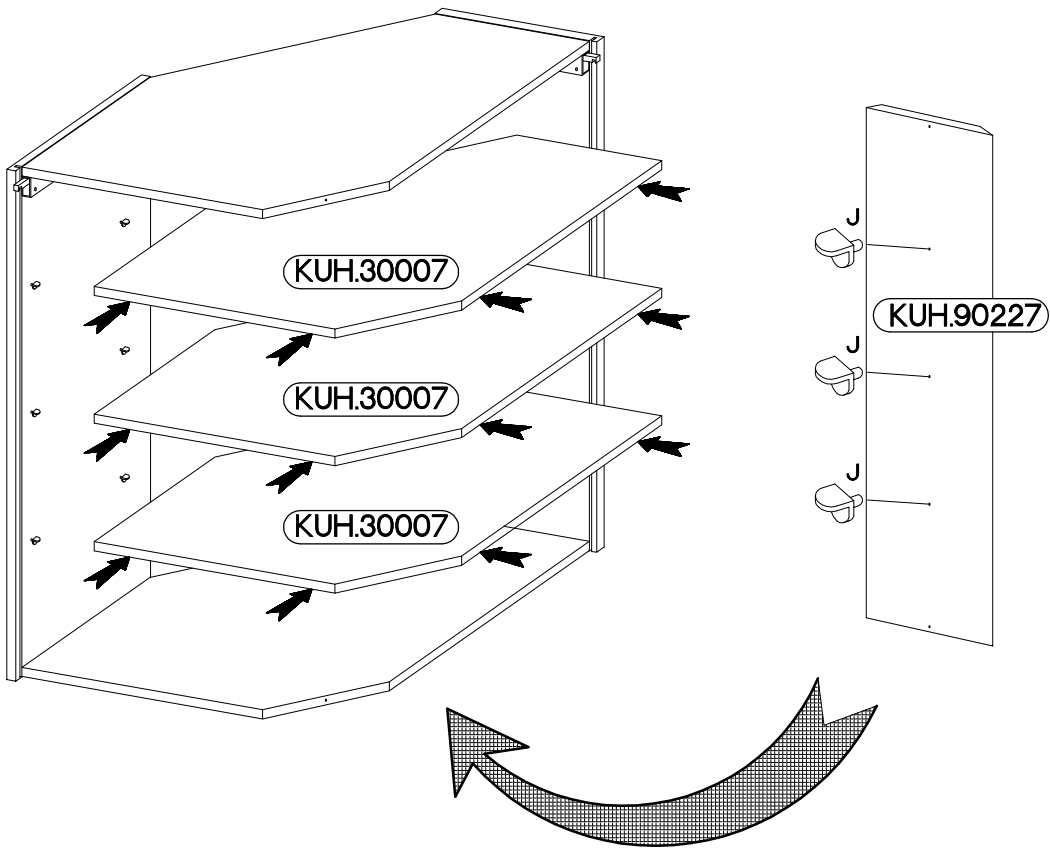
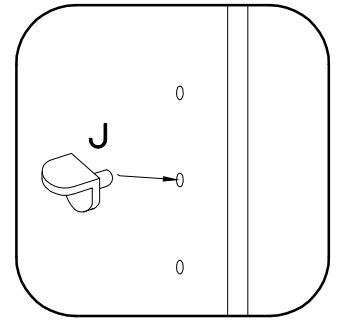
E1

4


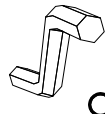


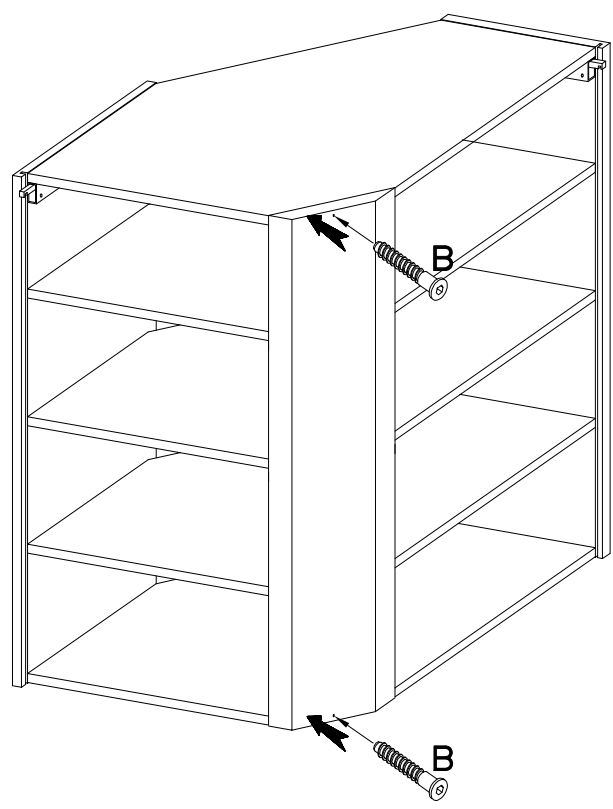
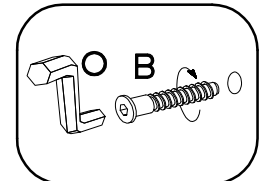
4

±5/19mm
 J
15



5

6,4 x 50mm
 B
2
 O
1



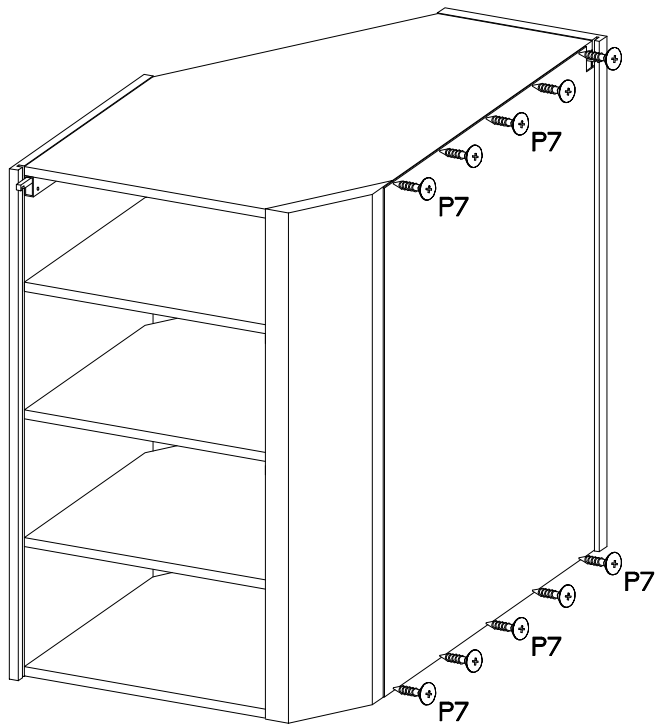
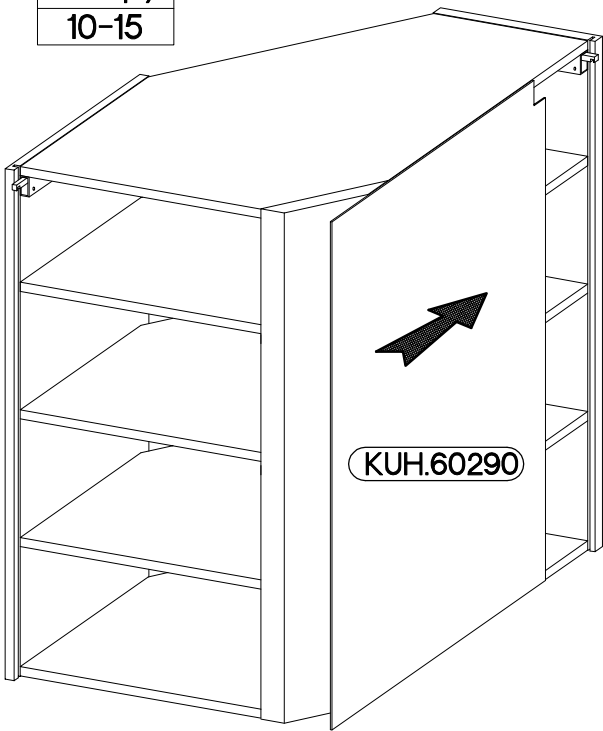
6

+3.0x20mm



P7

10-15



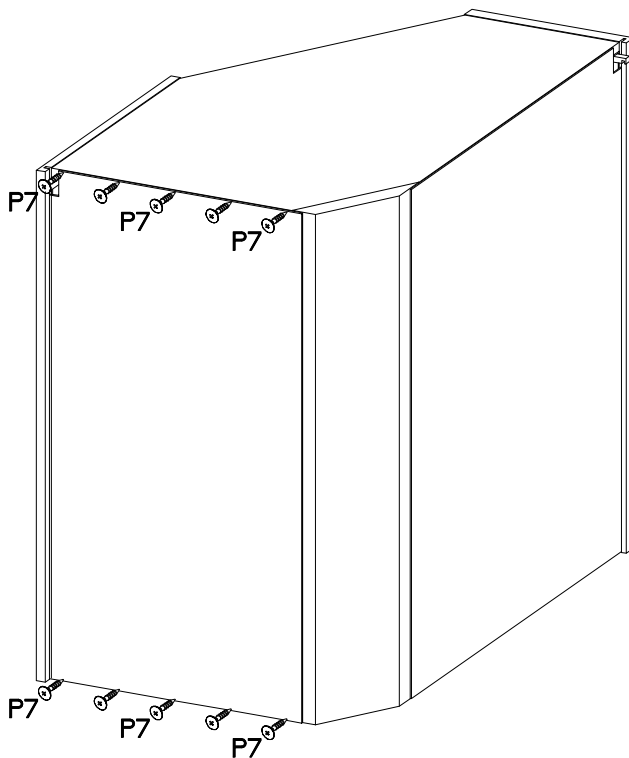
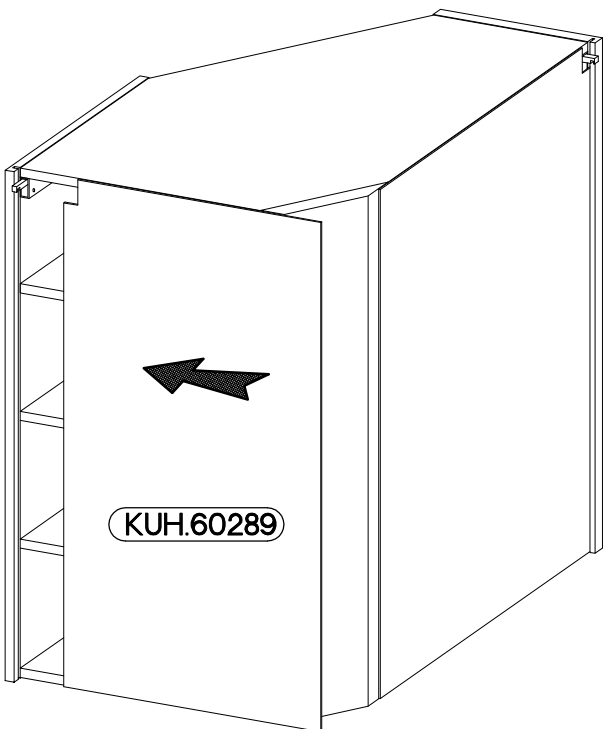
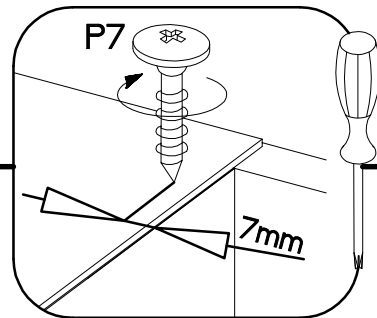
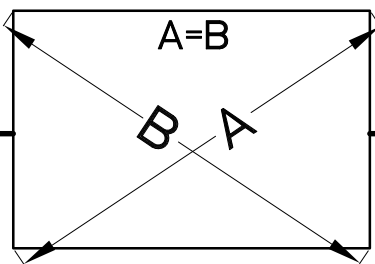
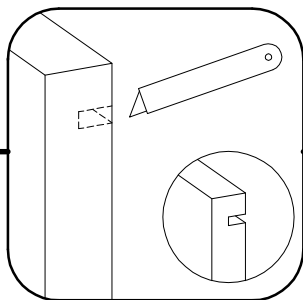
7

+3.0x20mm

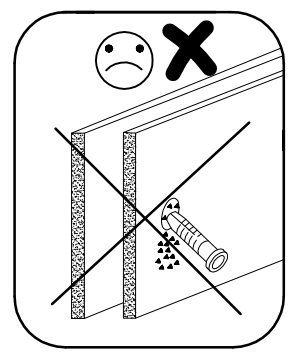
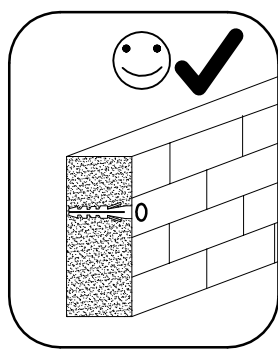
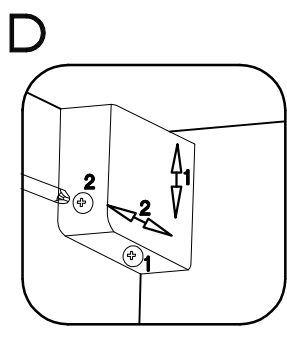
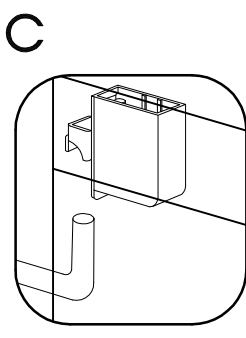
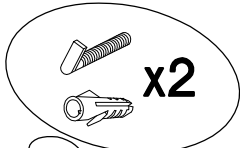
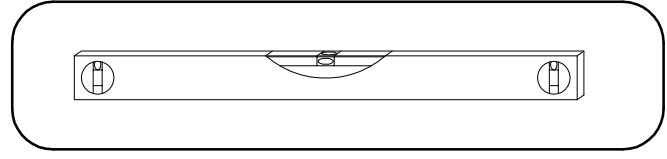
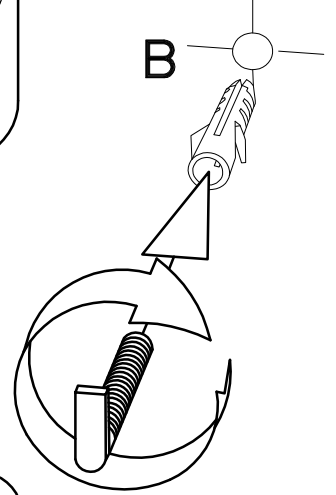
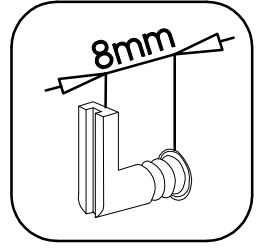
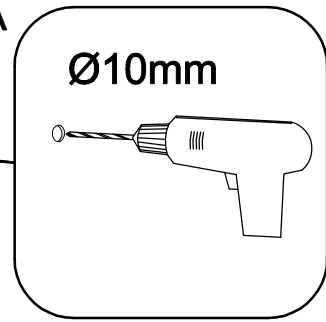
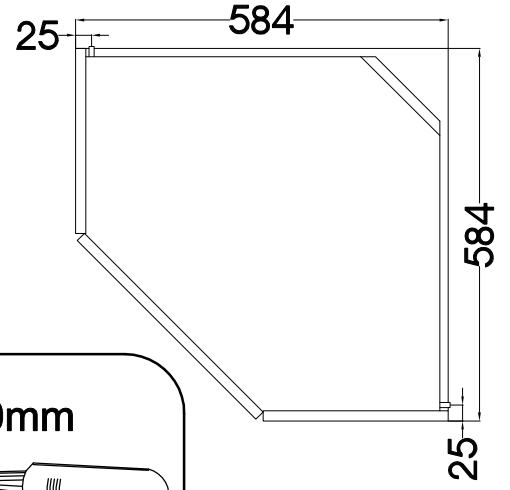
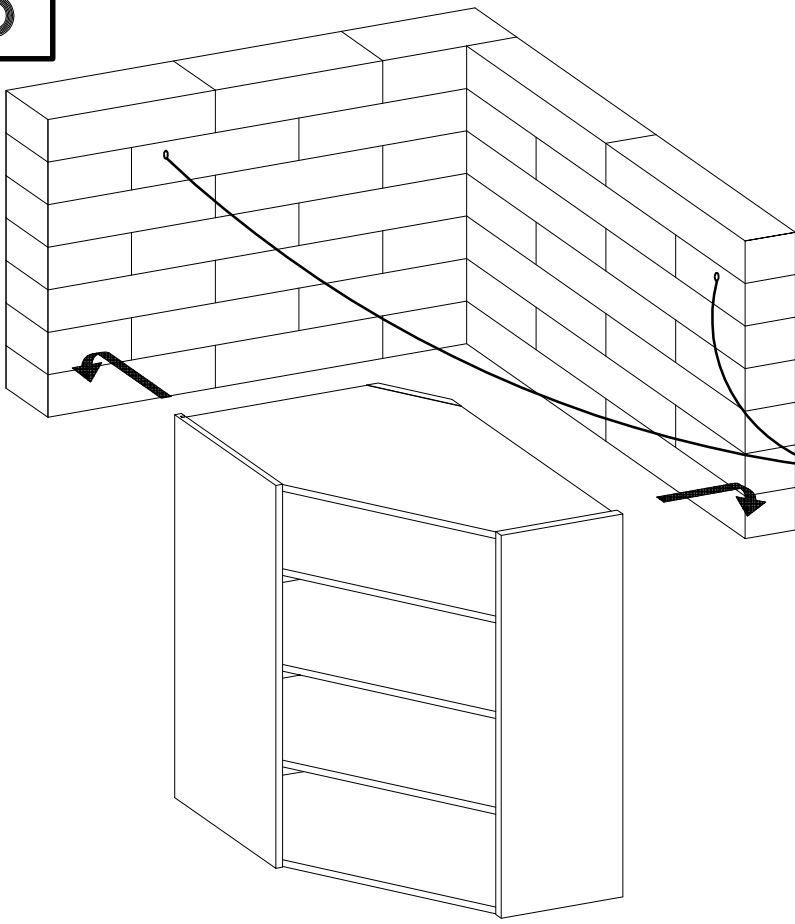


P7

10-15



8



9

