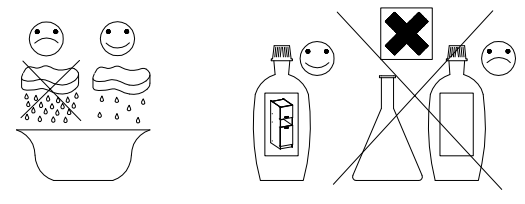
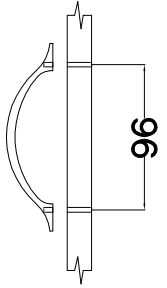
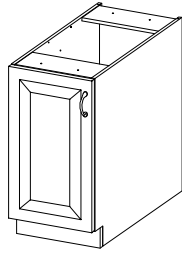
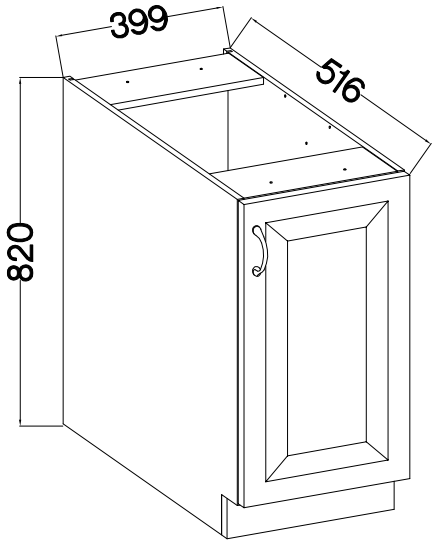


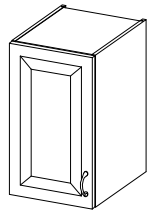
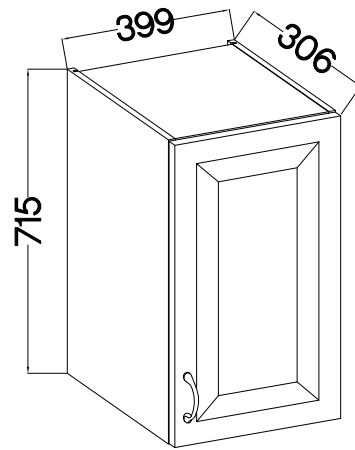
FRONT



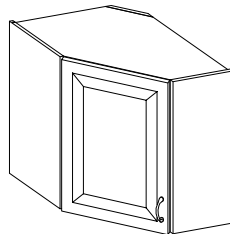
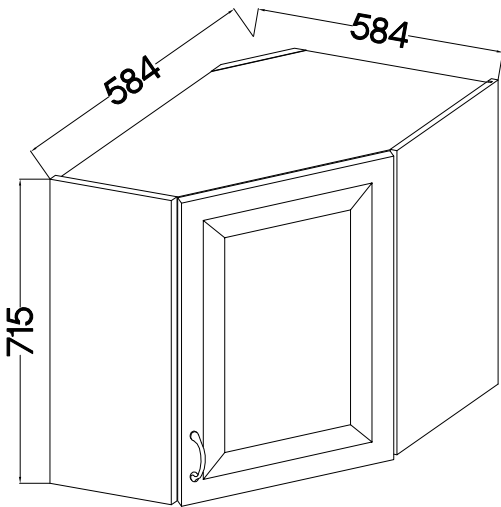
40 D 1F BB



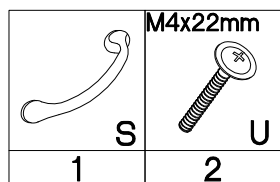
40 G-72 1F



58x58 GN-72 1F



KUH.70769



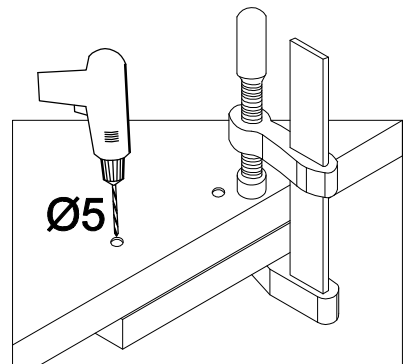
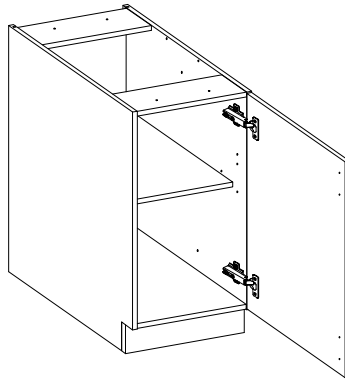
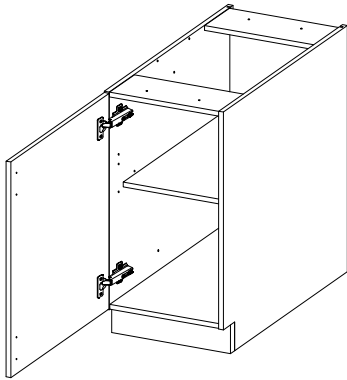
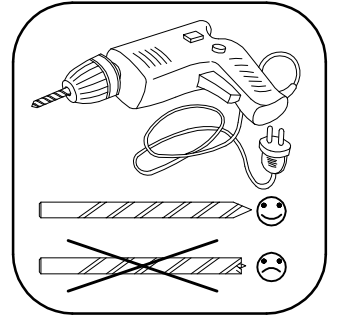
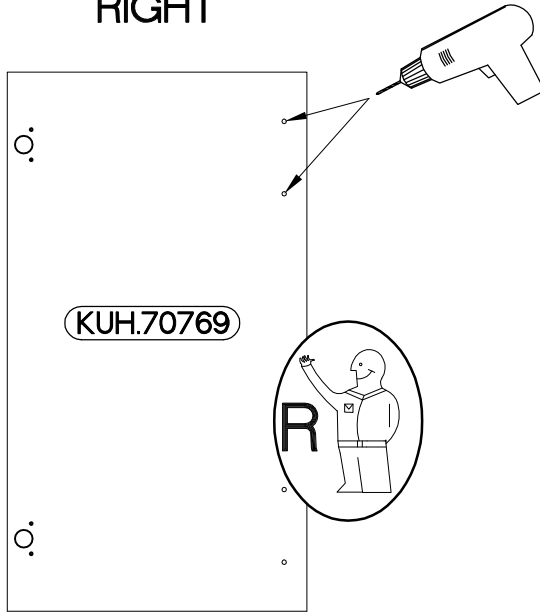
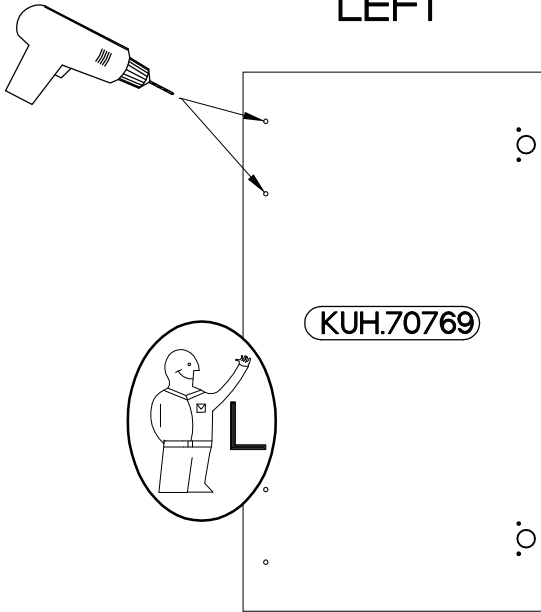
ISM-KUH-01198

1

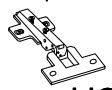

40 D 1F BB

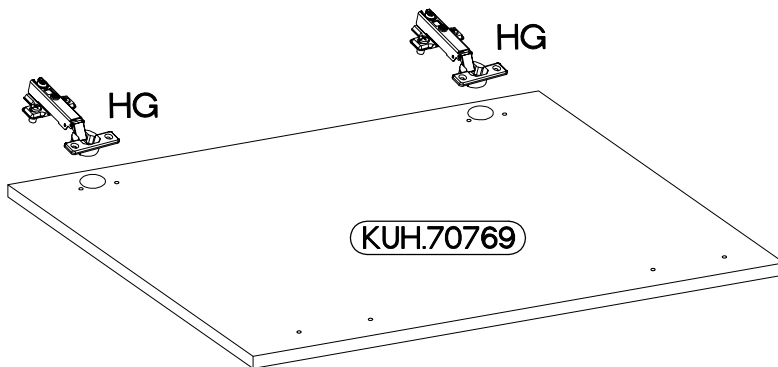
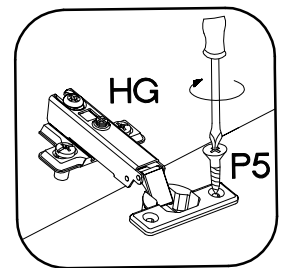
LEFT

RIGHT



2

+35/0mm	+3.5x13mm
	
HG	P5
2	4



M4x22mm



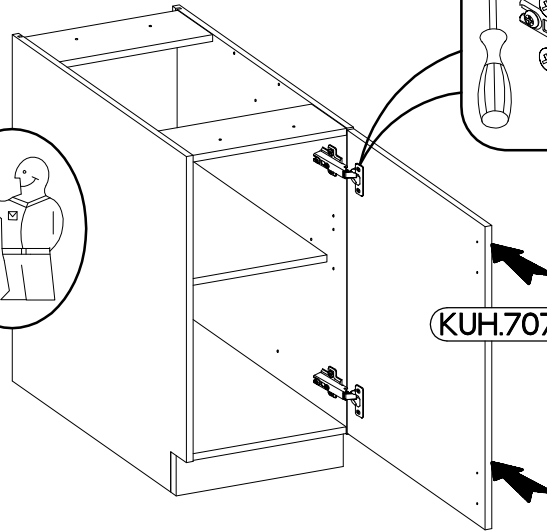
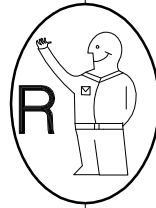
U

2

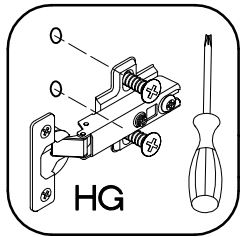


S

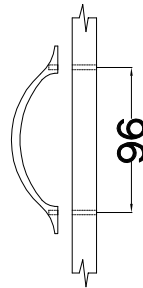
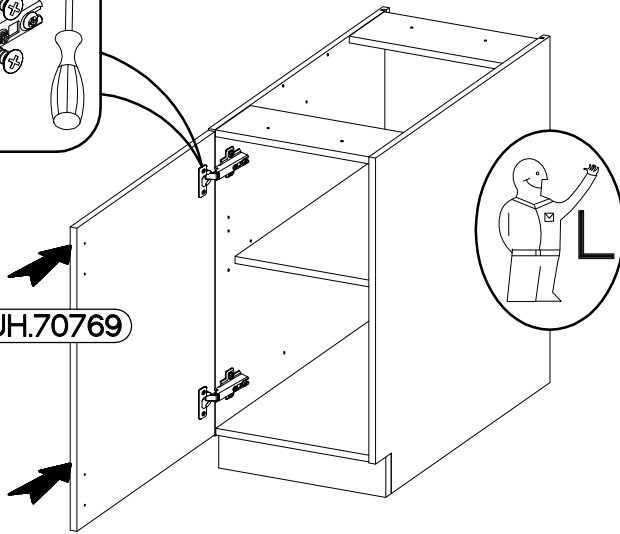
1



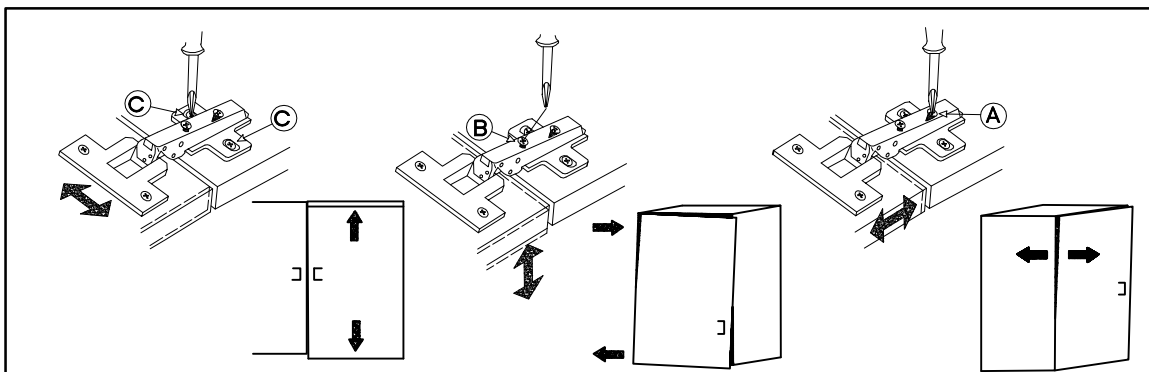
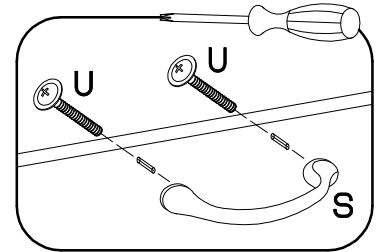
KUH.70769



KUH.70769



96

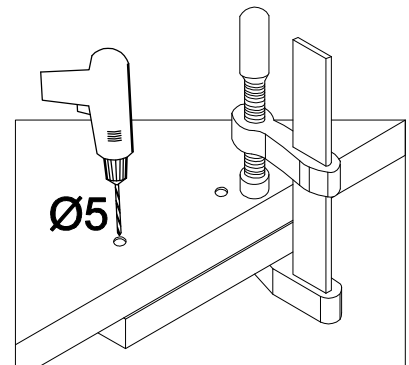
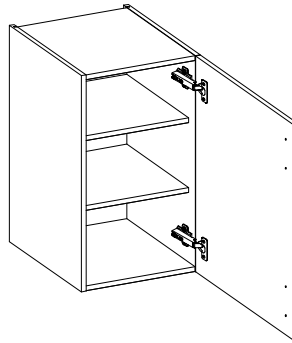
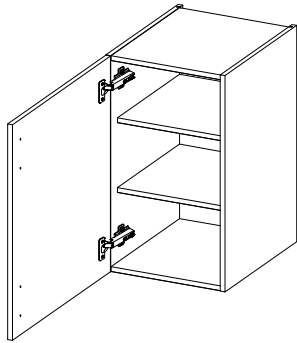
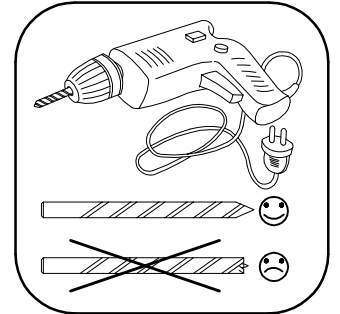
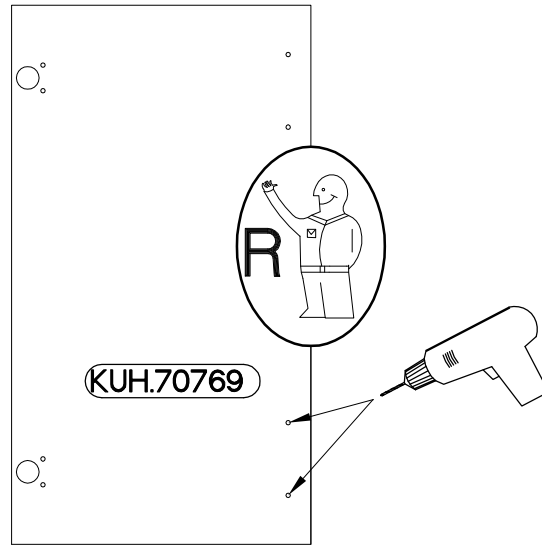
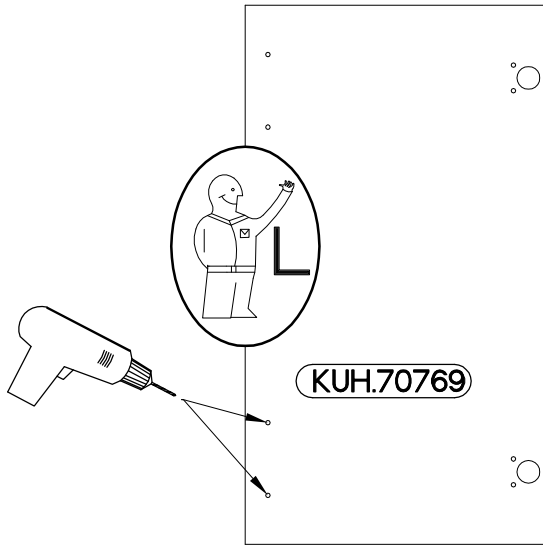


4



40 G-72 1F

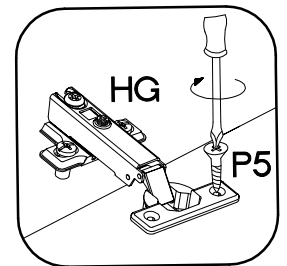
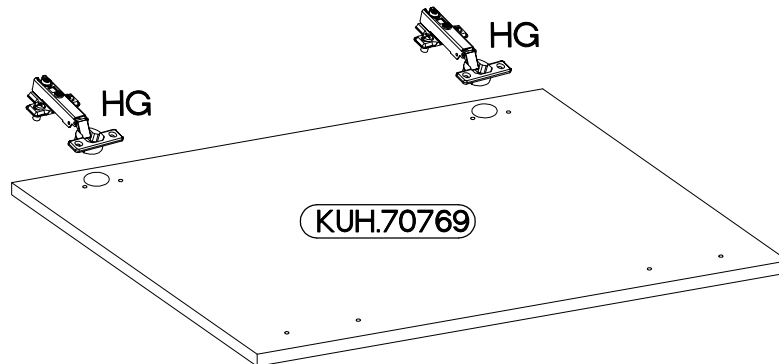
LEFT

RIGHT



5

 HG 2	 P5 4
--	--



6

M4x22mm



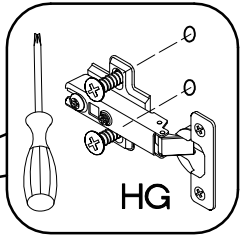
U

2

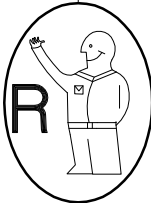


S

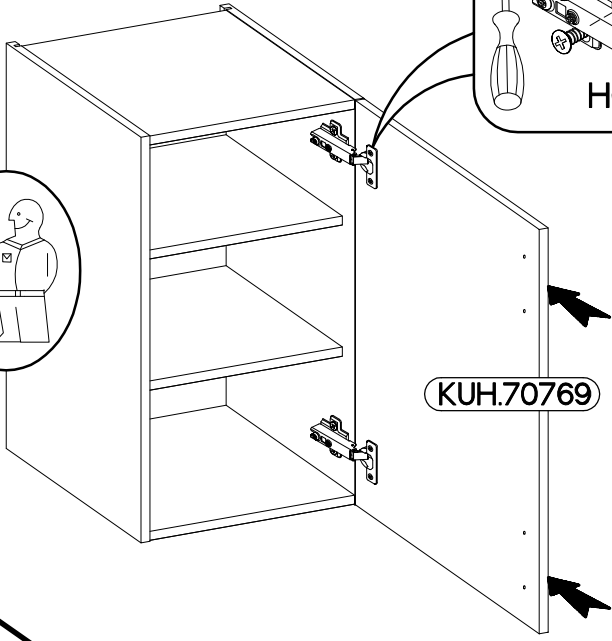
1



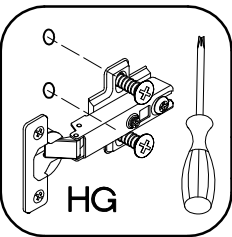
HG



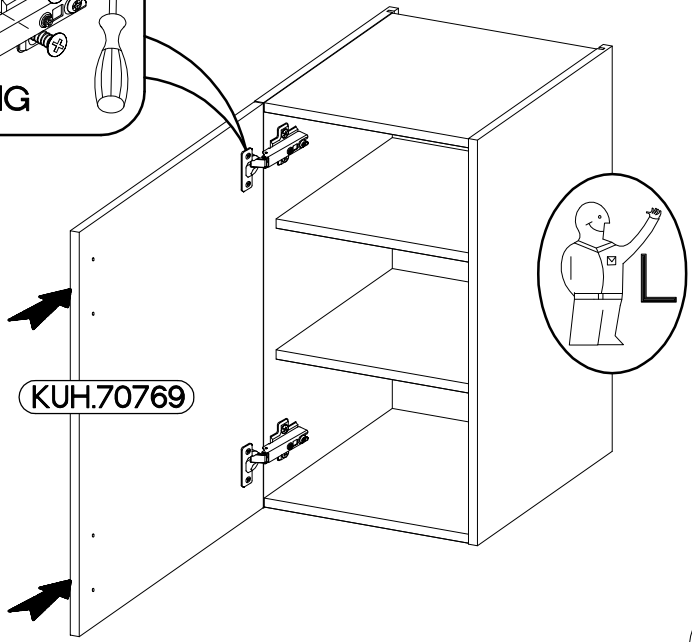
R



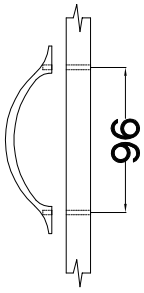
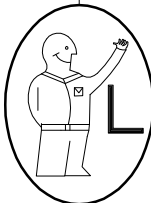
KUH.70769



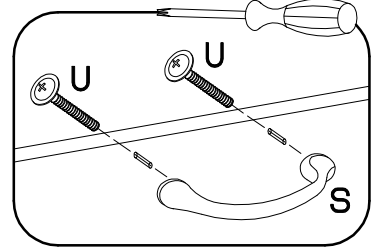
HG



KUH.70769

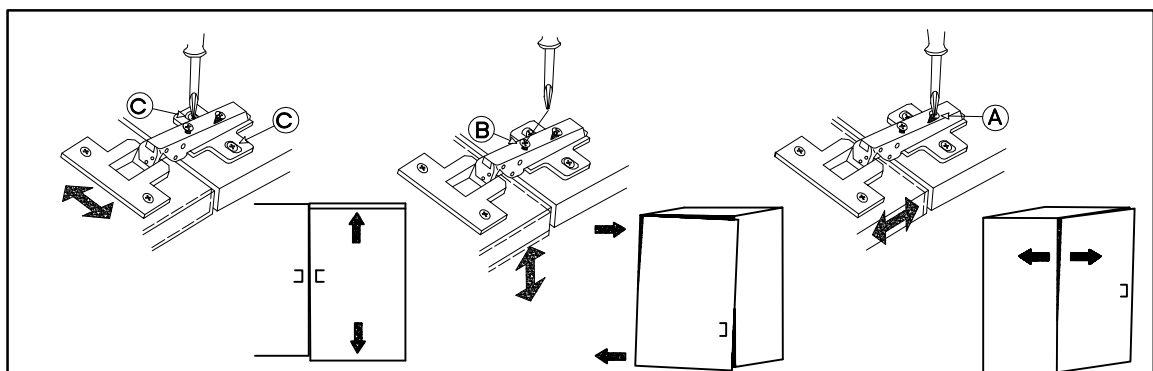


96



U

S

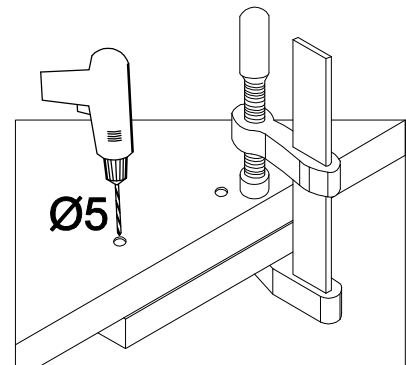
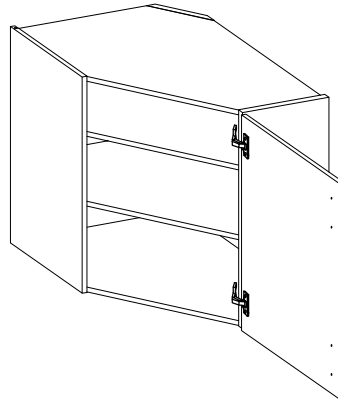
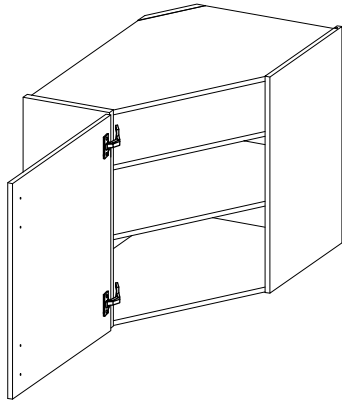
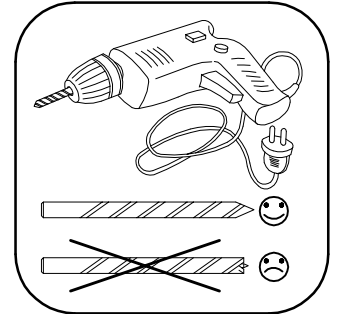
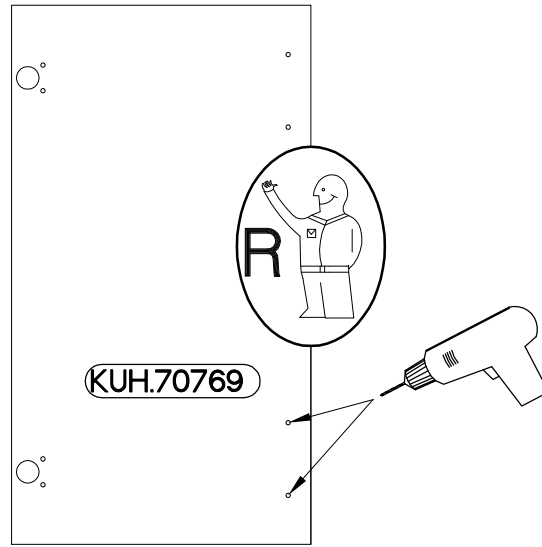
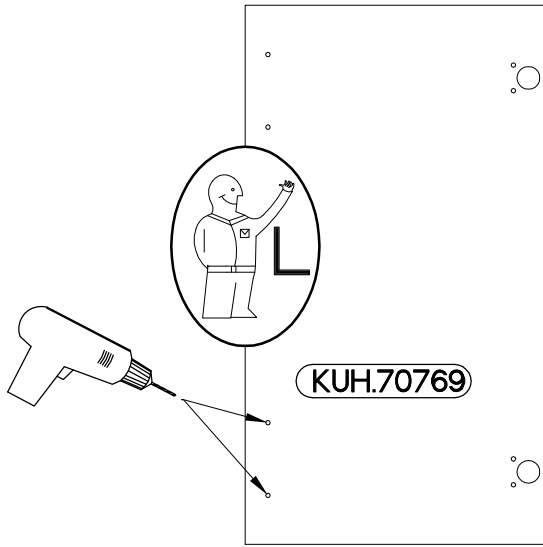


7

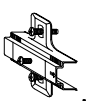
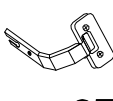

58x58 GN-72 1F

LEFT

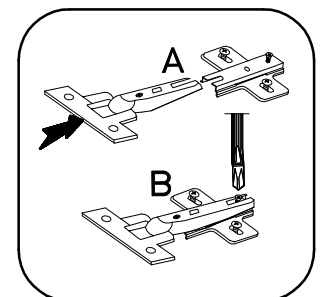
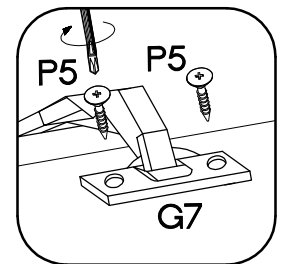
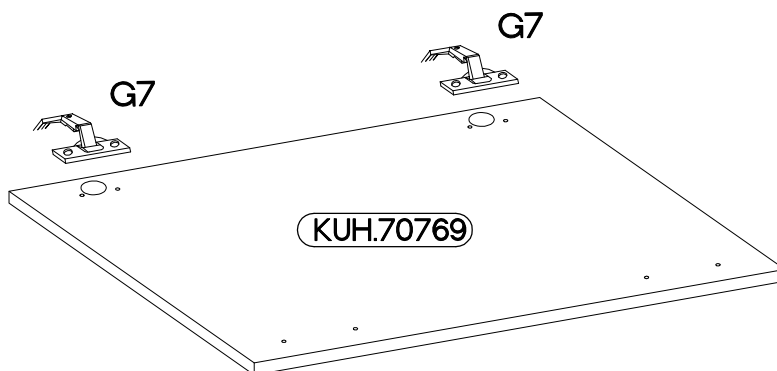
RIGHT



8

		
H	G7	P5
2	2	4

†3.5x13mm



9

M4x22mm



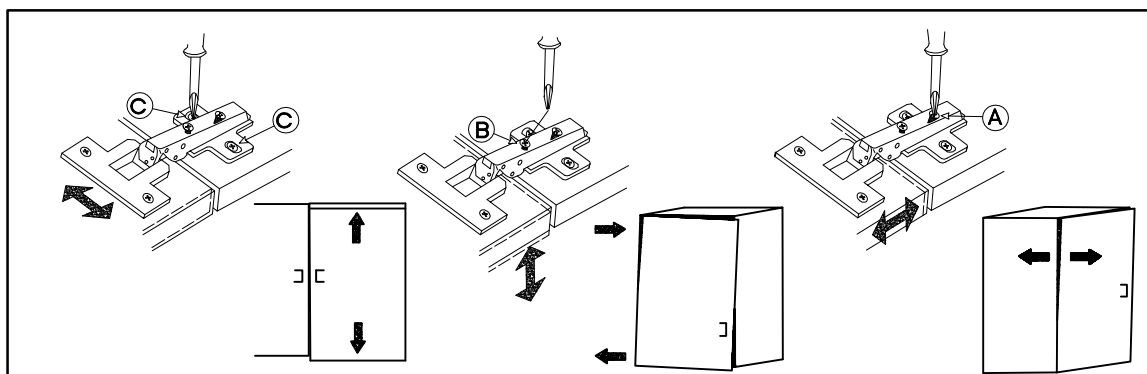
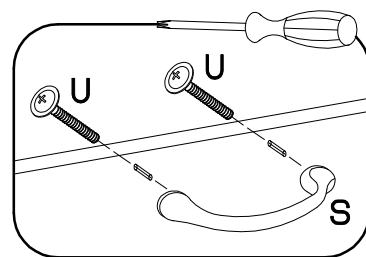
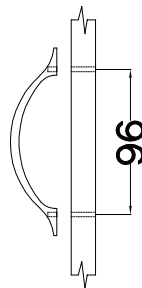
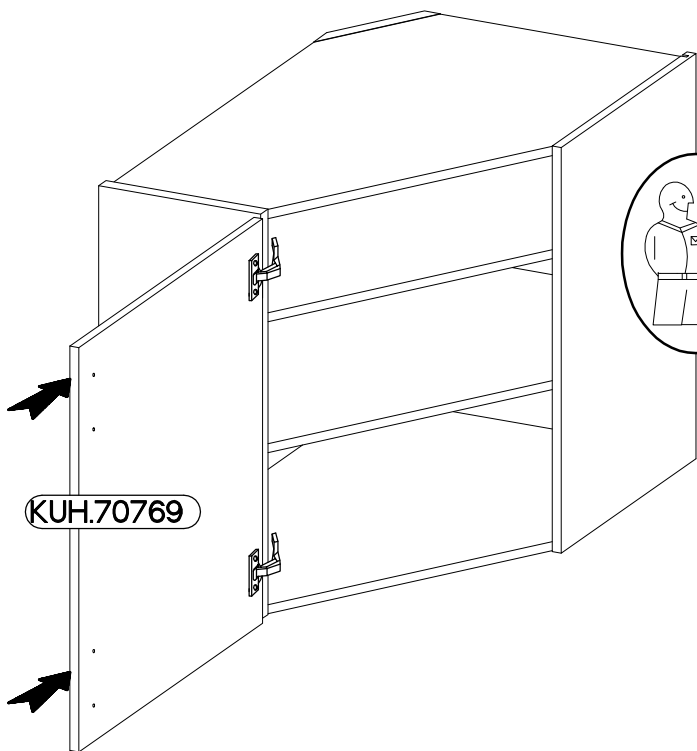
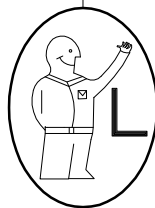
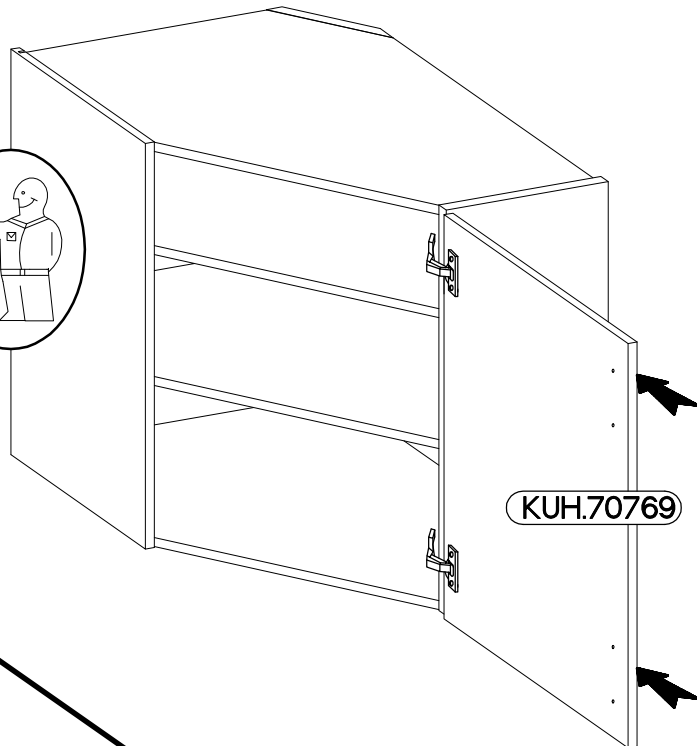
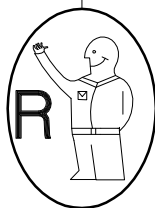
U

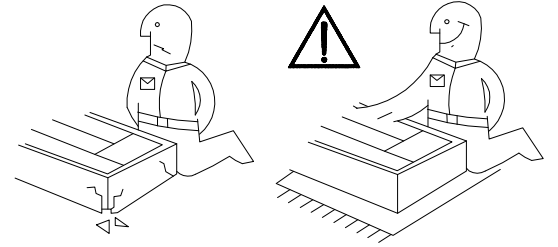
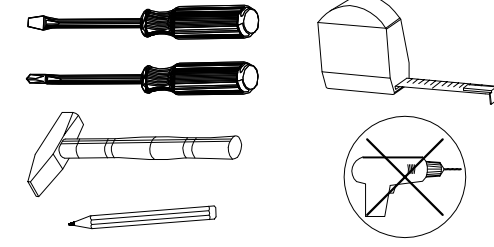
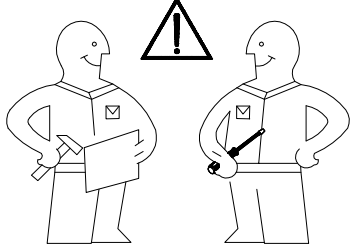
2



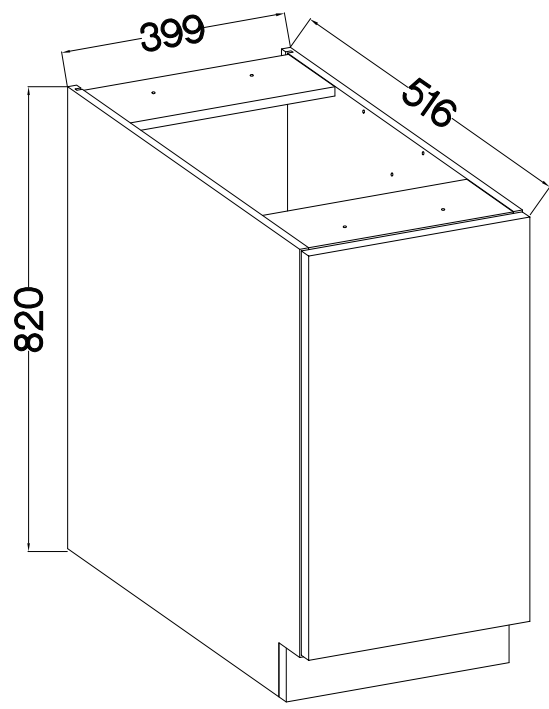
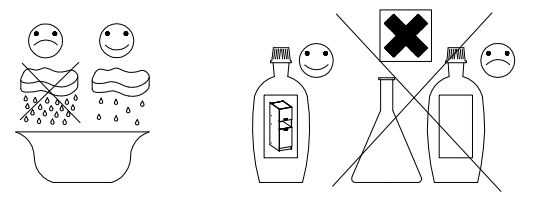
S

1

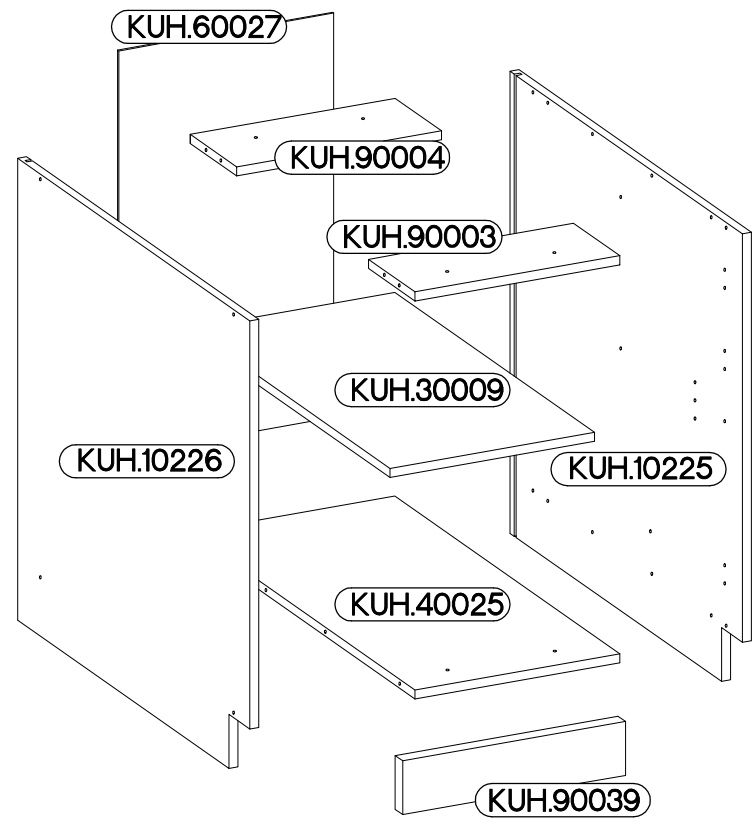
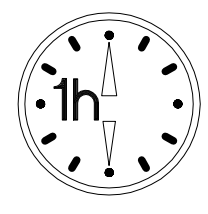




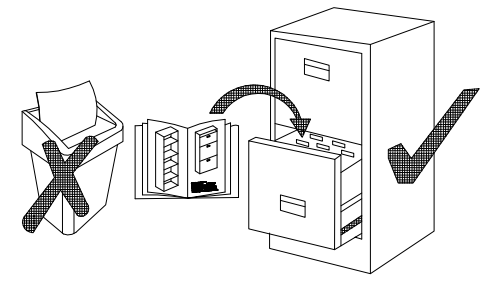
40 D 1F BB



max. 10kg
 KUH.30009
 KUH.40025

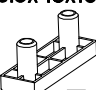
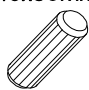


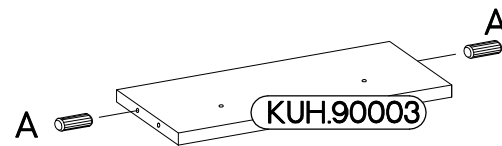
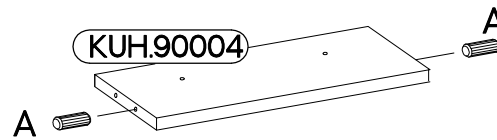
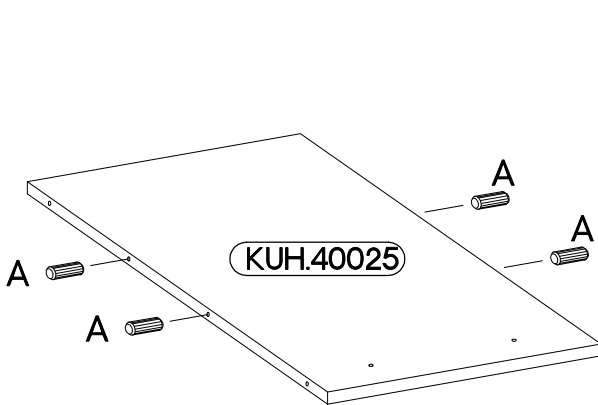
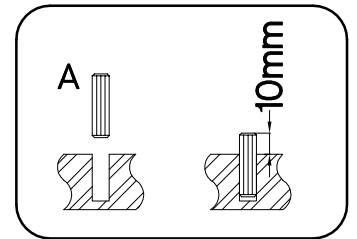
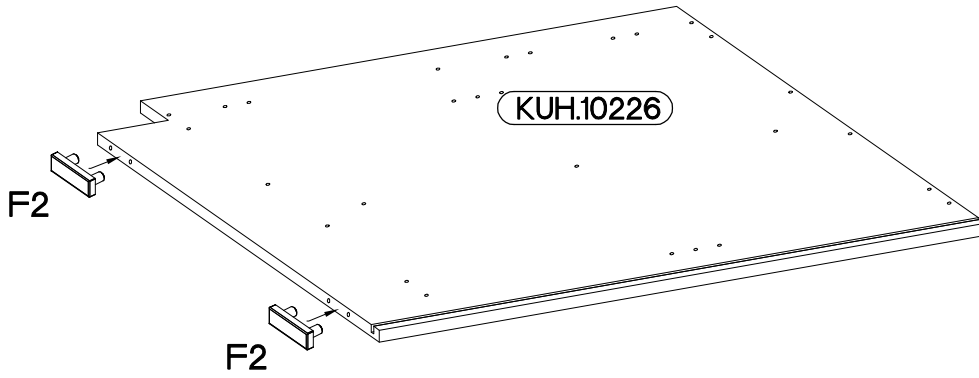
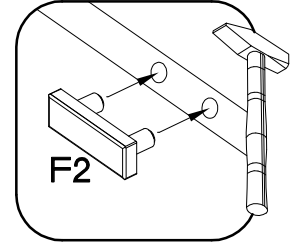
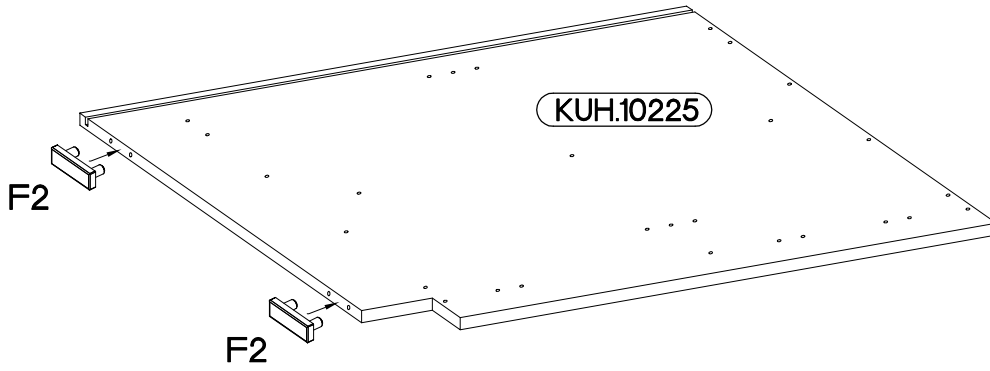
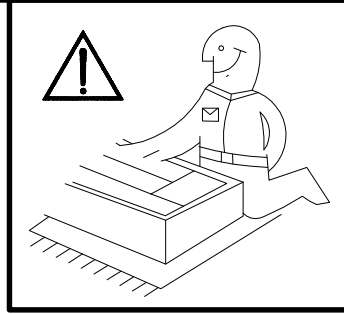
 8x30mm A 8	 6,4 x 50mm B 8	 E1 8	 E9 2	 6.5x48x16 F2 4	 †35/0mm HG 2	 †5/19mm J 4	 O 1	 †4.0x45mm P4 2	 †3.5x13mm P5 4	 †3.0x20mm P7 8-10	 †4.0x35mm R3 4
-----------------------------	---------------------------------	--------------------	--------------------	---------------------------------	-------------------------------	------------------------------	-------------------	---------------------------------	---------------------------------	------------------------------------	---------------------------------




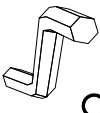

ISM-KUH-01133

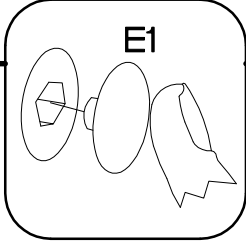
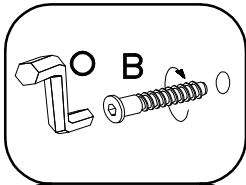
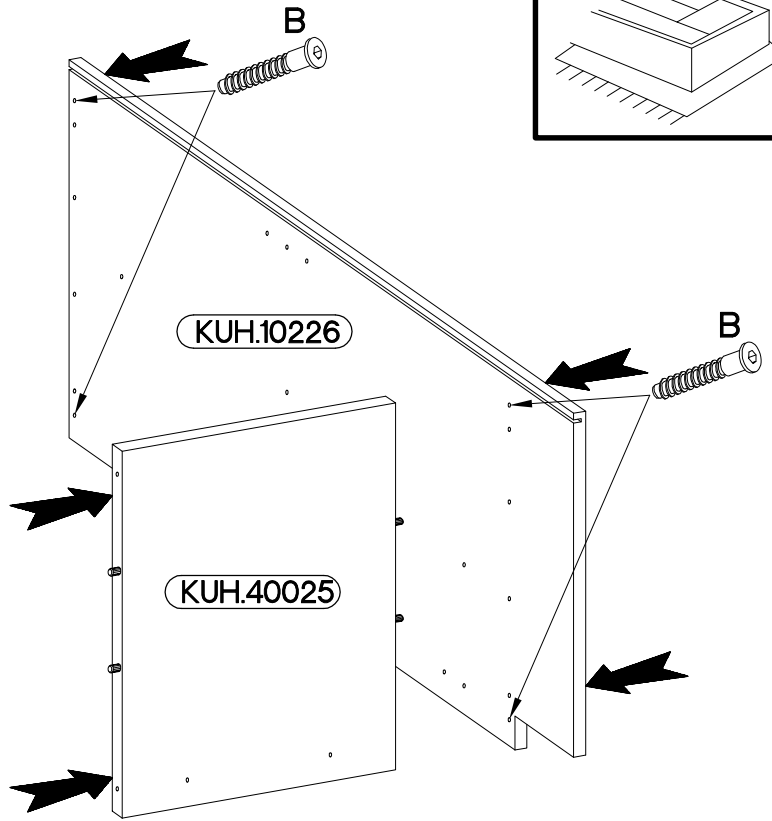
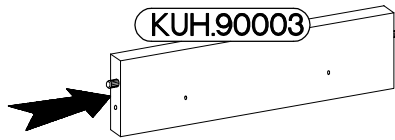
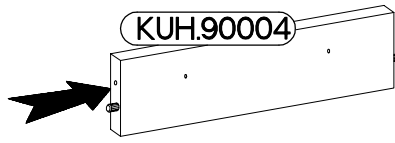
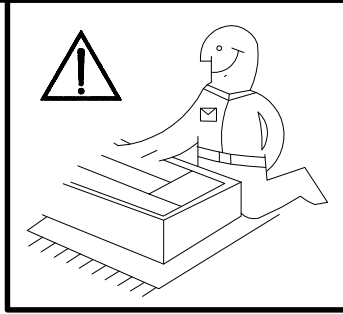
1

6.5x48x16  F2 4	+8x30mm  A 8
--	---

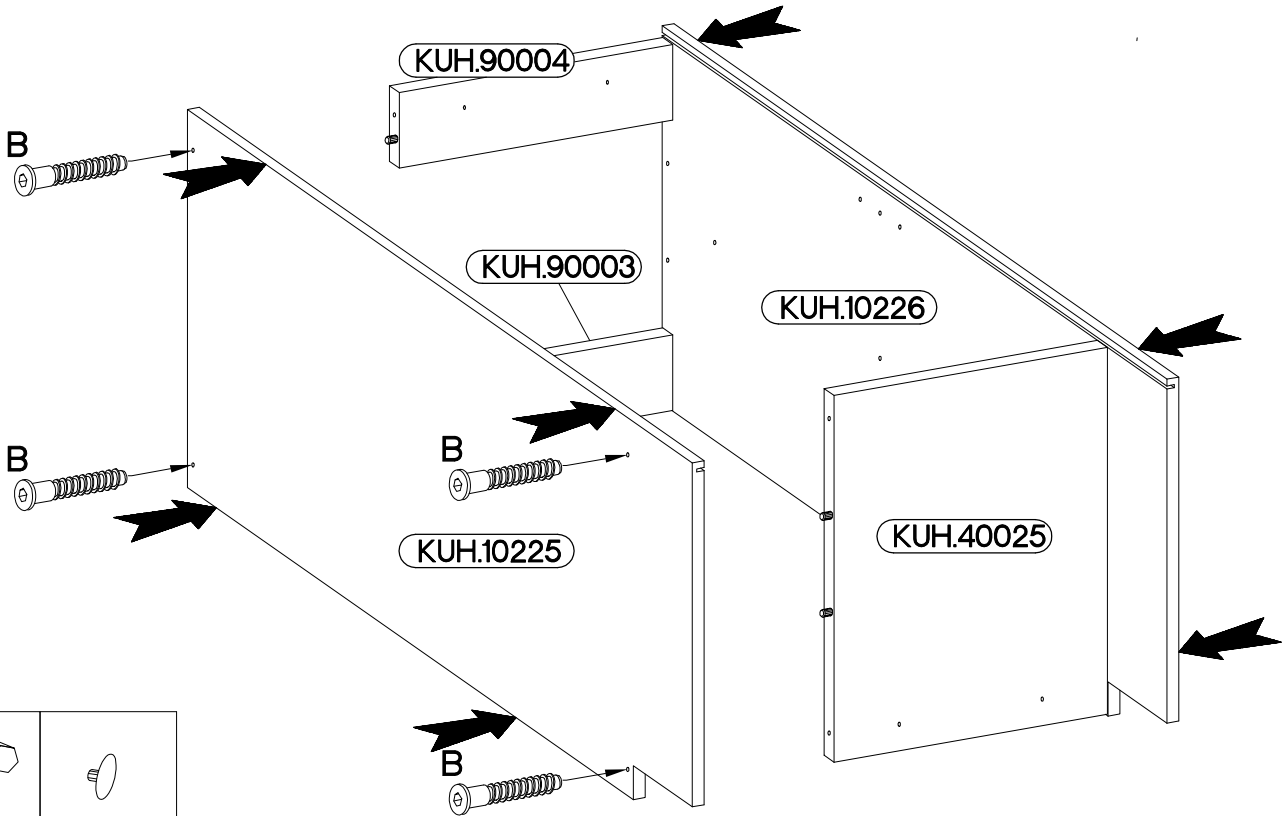



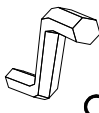

2

6,4 x 50mm		
		
B	O	E1
4	1	4

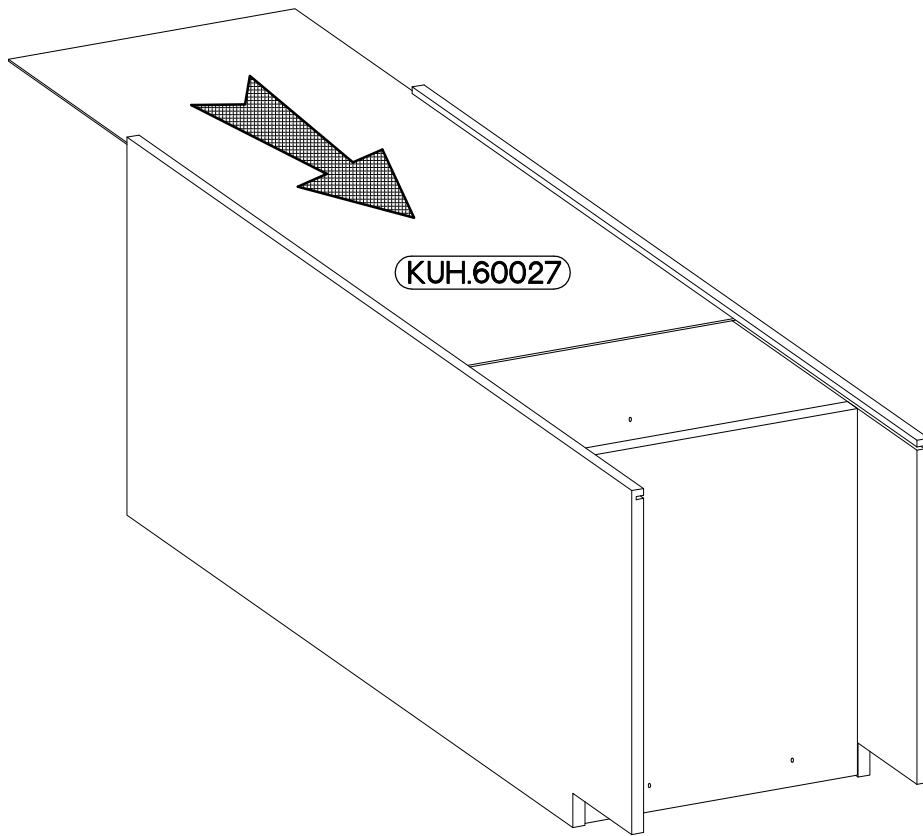
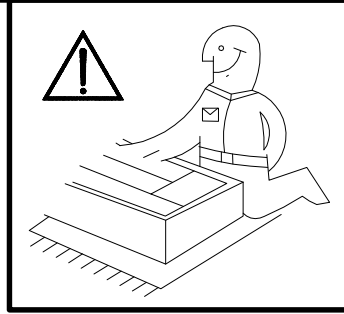


3

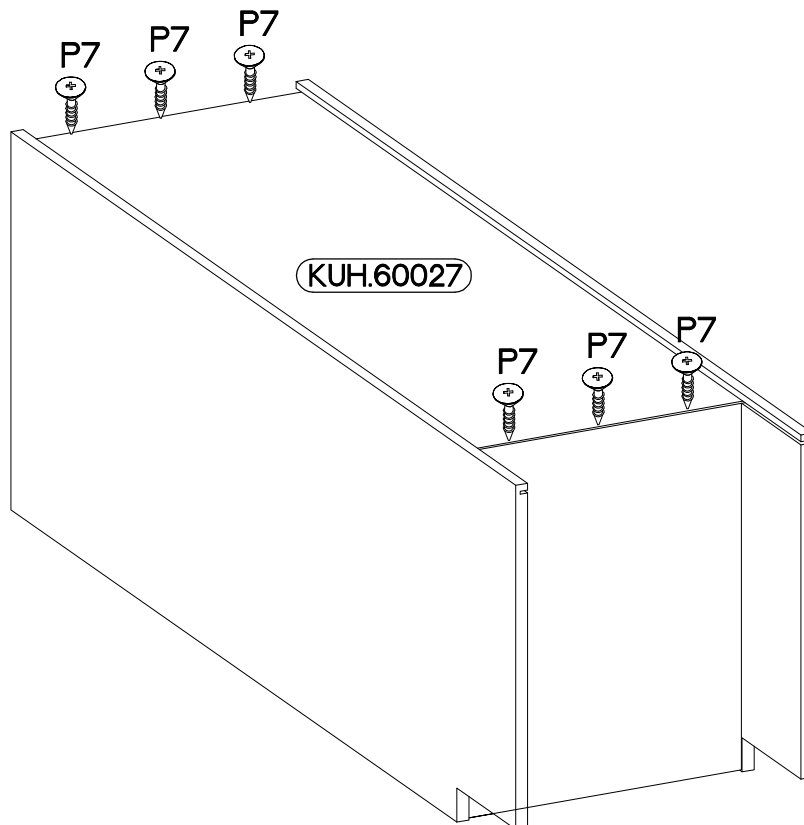
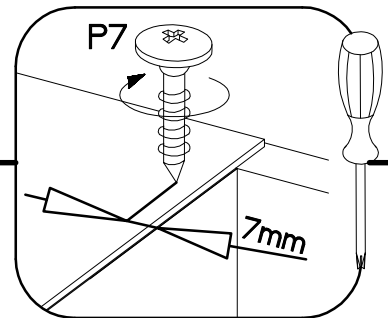
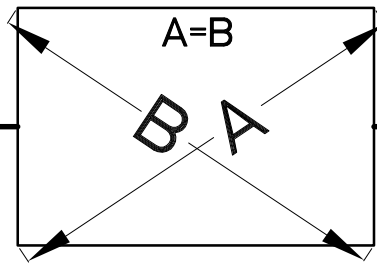
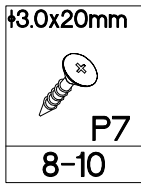


6,4 x 50mm		
		
B	O	E1
4	1	4



4

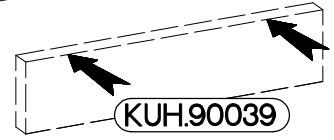
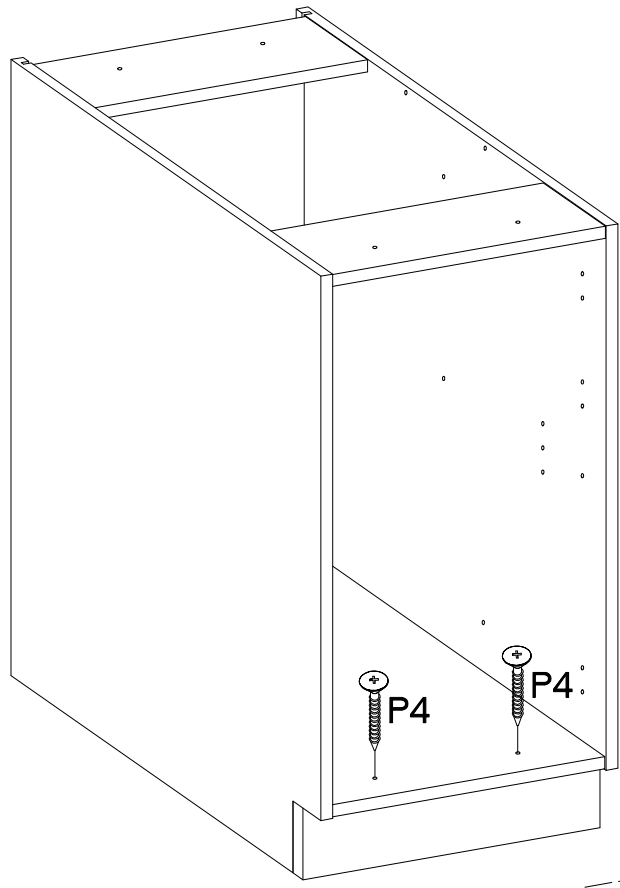
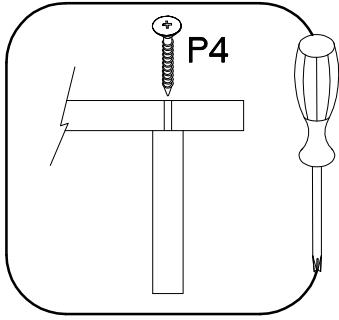


5




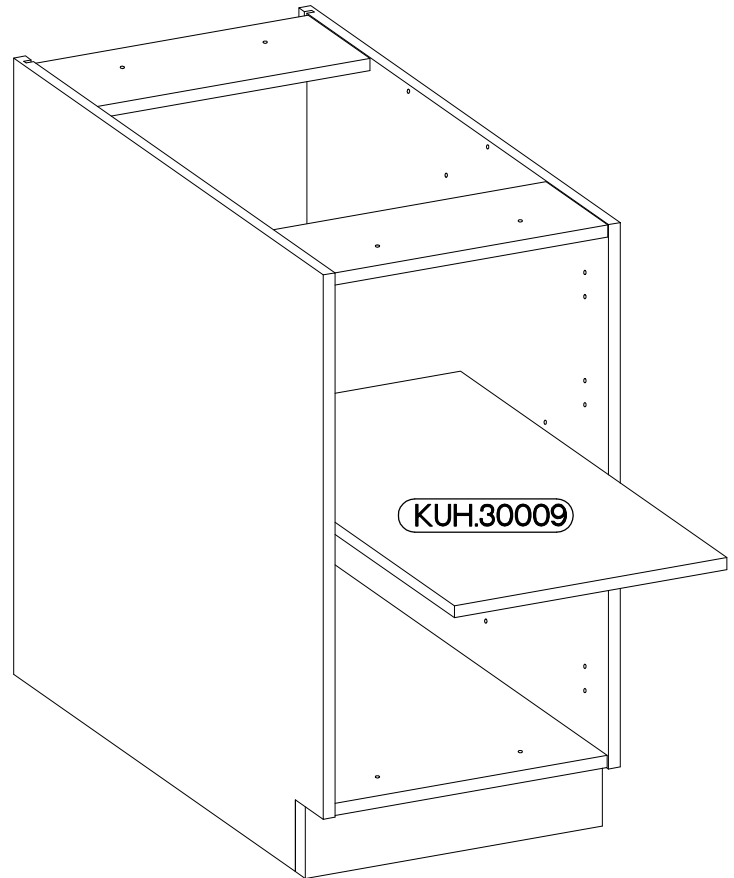
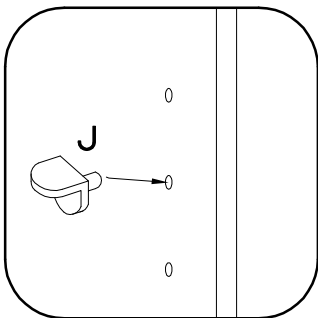
6

$\pm 4.0 \times 45 \text{mm}$  P4 2	 E9 2
--	---



7

$\pm 5 / 19 \text{mm}$  J 4



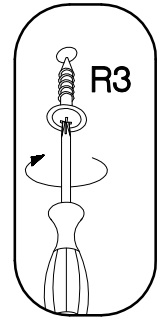
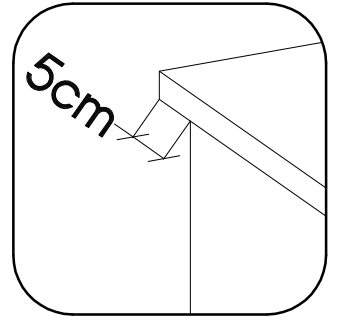
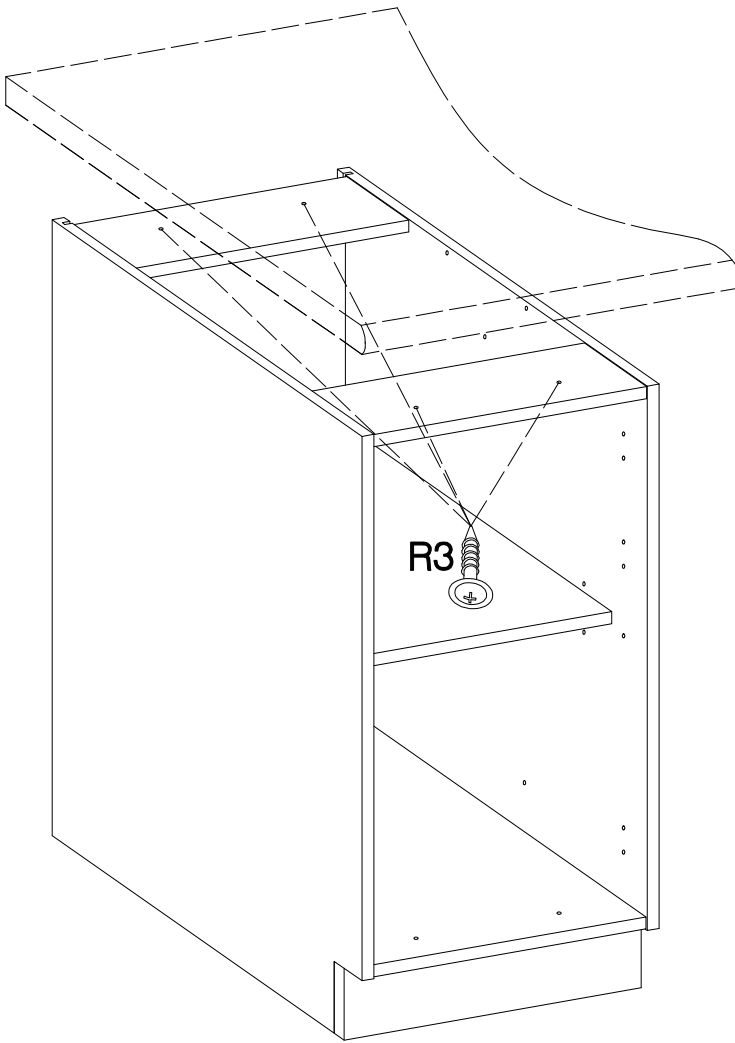
8

4.0x35mm



R3

4



9

FRONT

