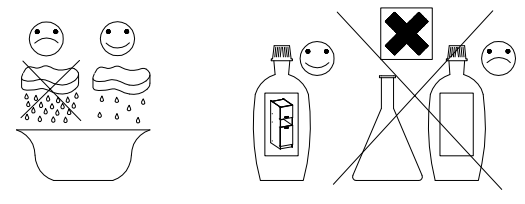
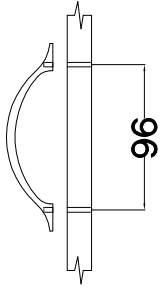
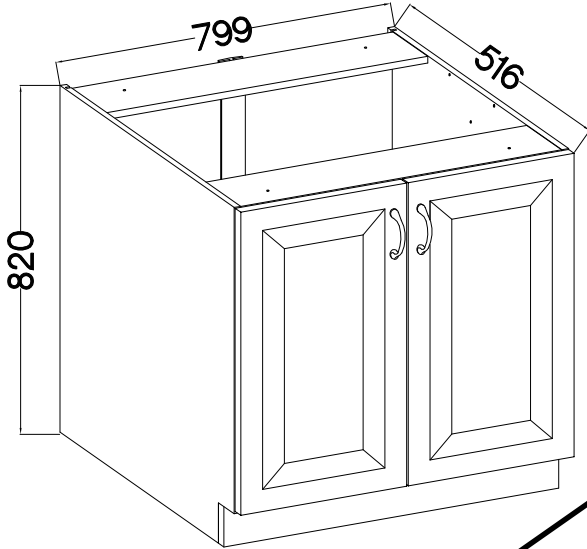


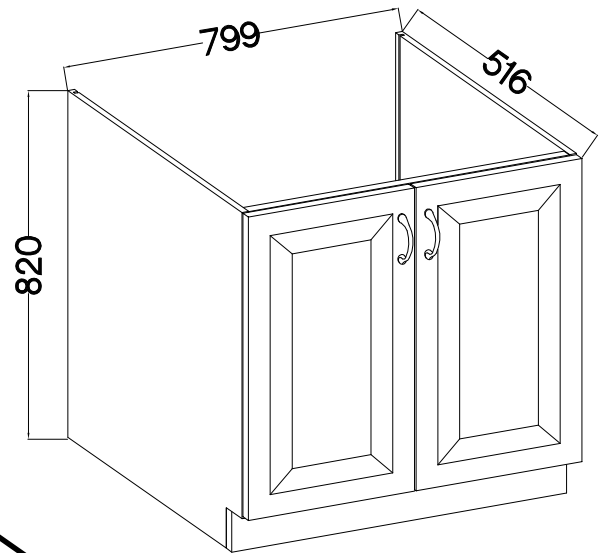
FRONT



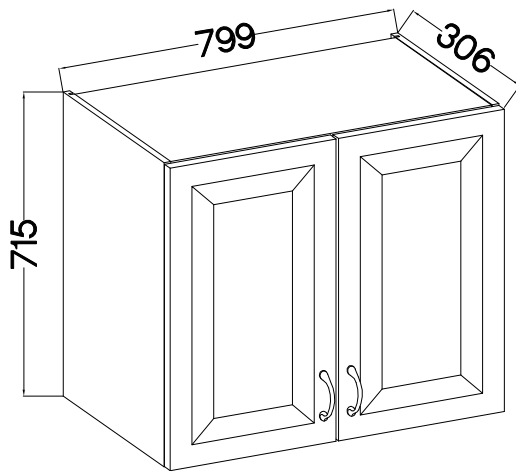
80 D 2F BB



80 ZL 2F BB

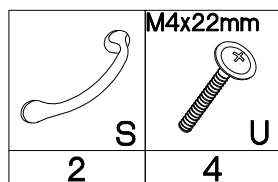


80 G-72 2F



KUH.70769

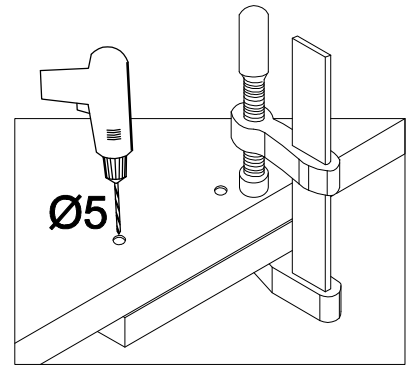
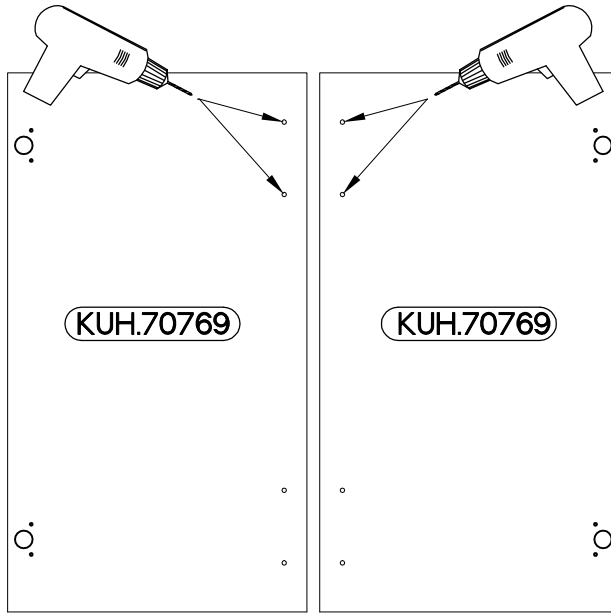
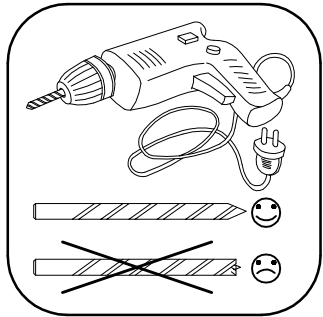
KUH.70769





ISM-KUH-01203

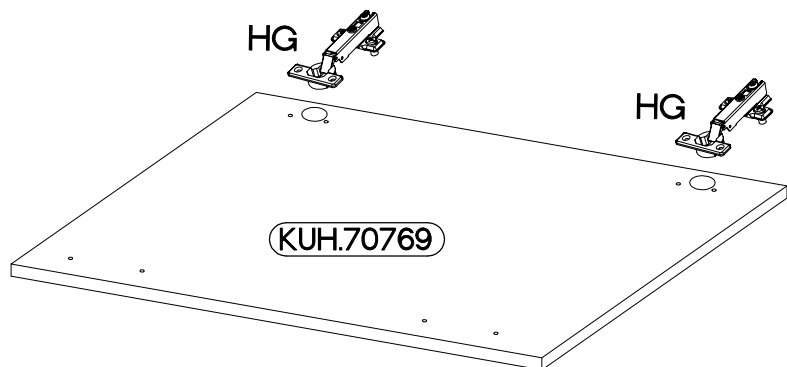
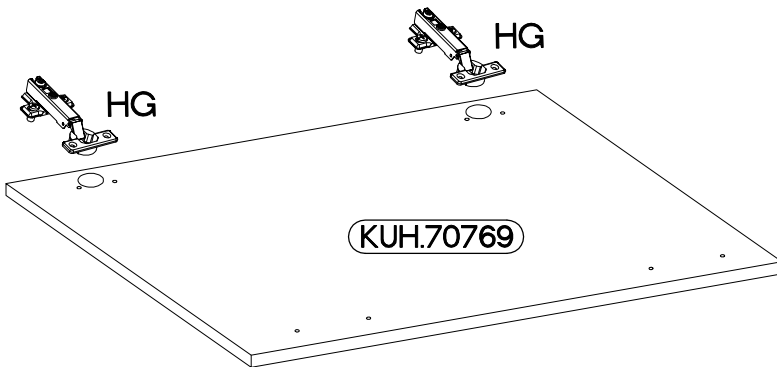
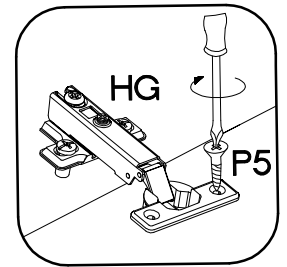
1

80 D 2F BB



2

 HG 4	 P5 8
---	---



3

M4x22mm



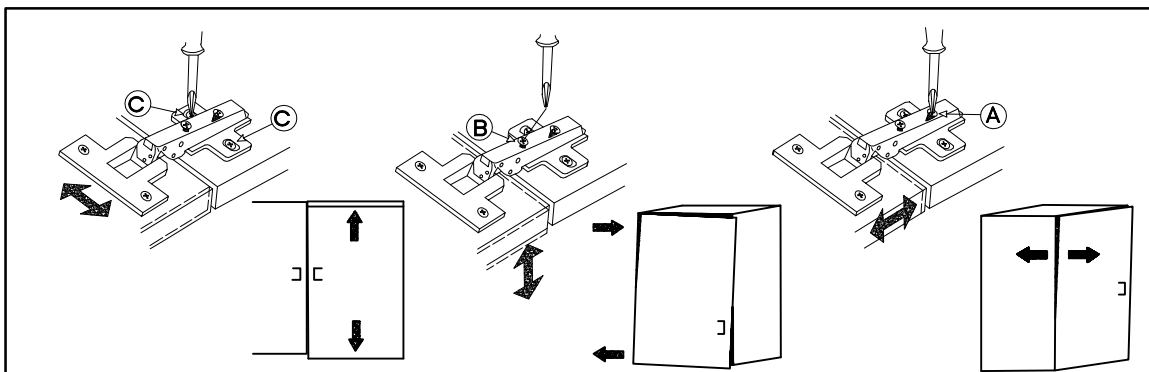
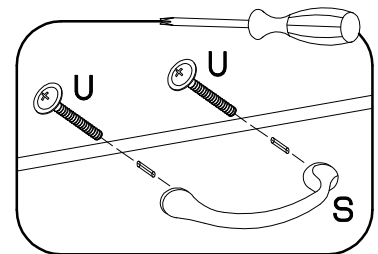
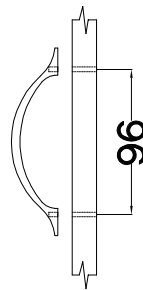
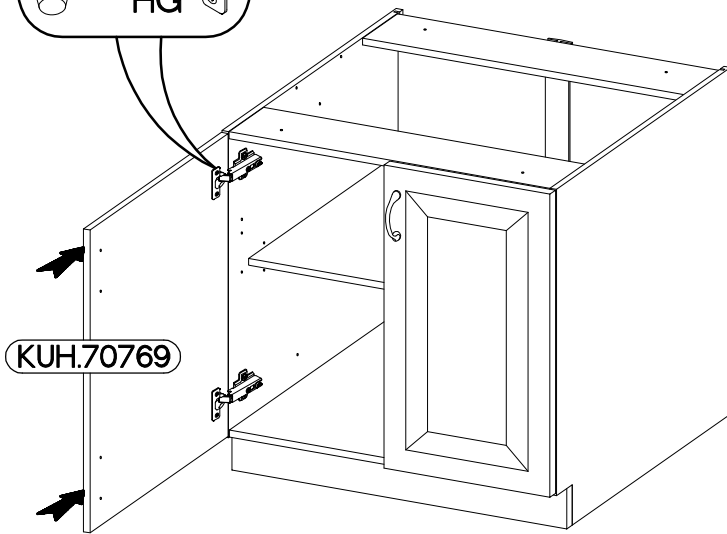
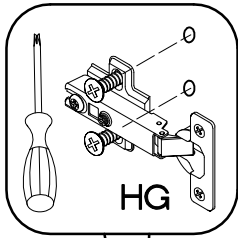
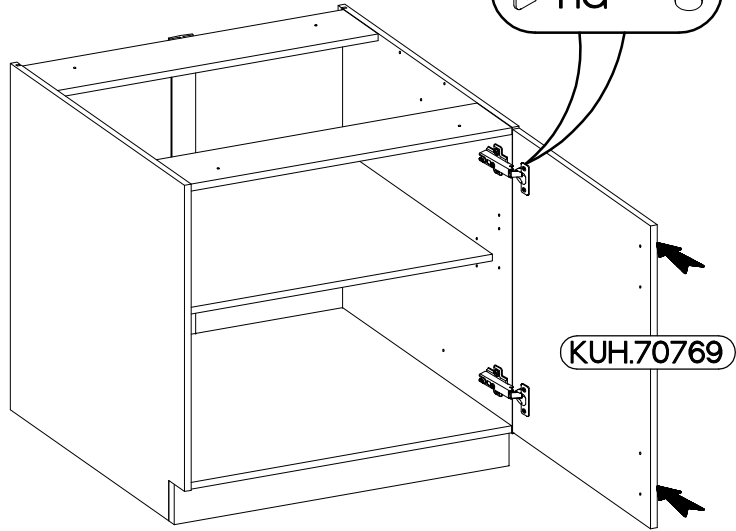
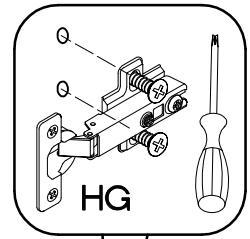
U

4



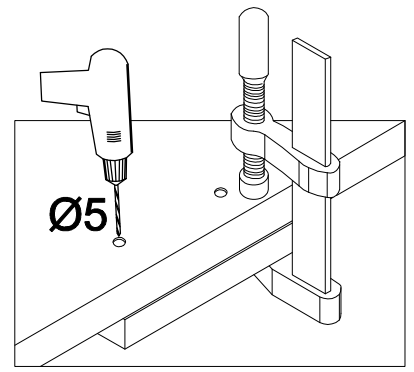
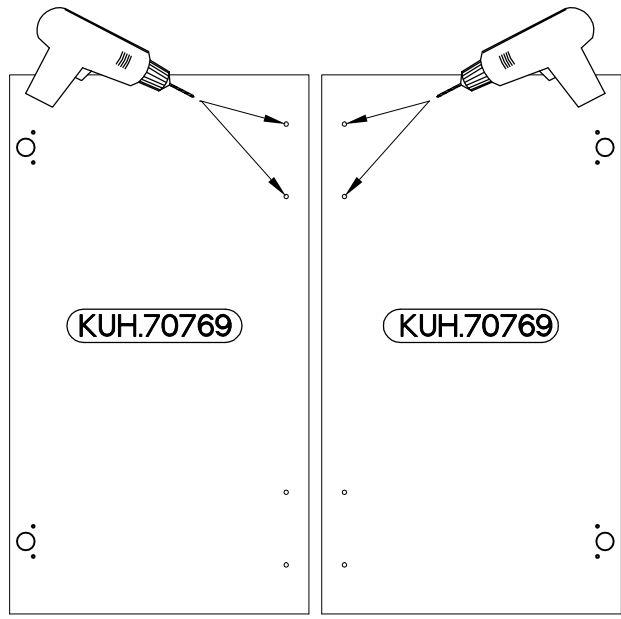
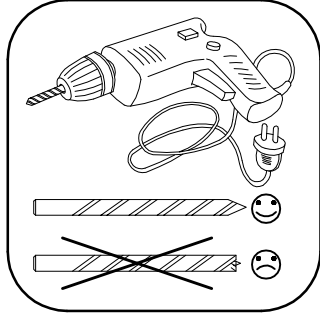
S

2





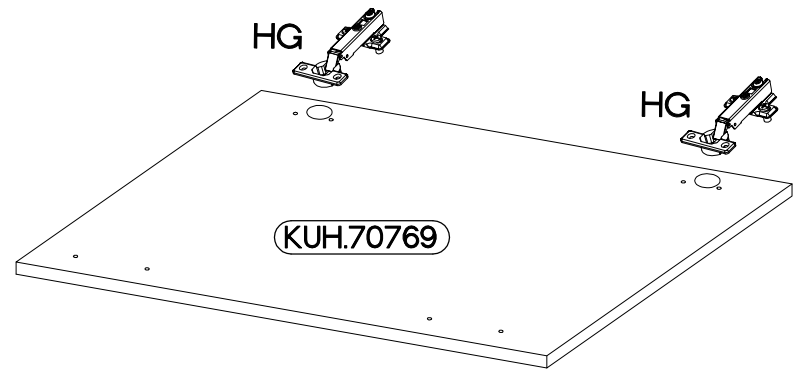
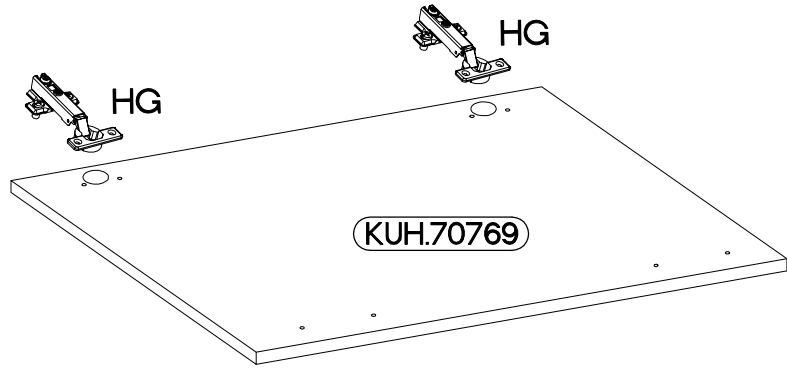
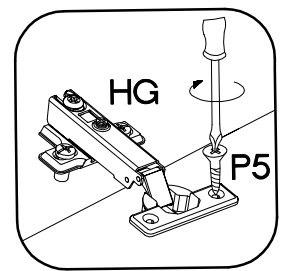
4

80 ZL 2F BB



5

 HG 4	 P5 8
---	---



6

M4x22mm



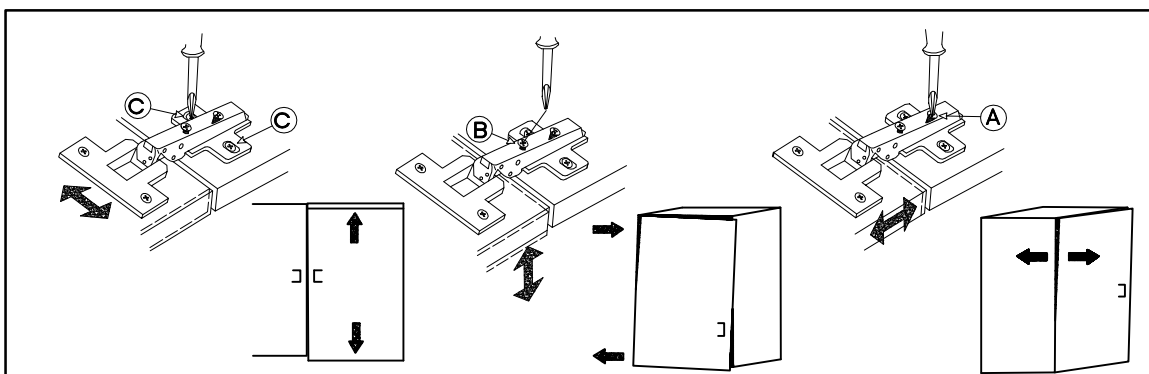
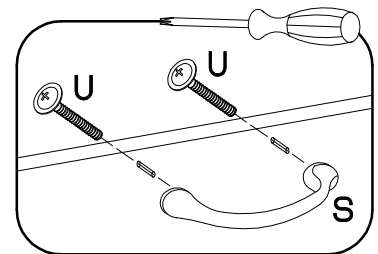
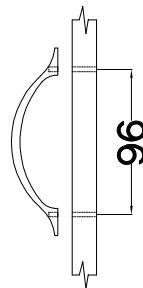
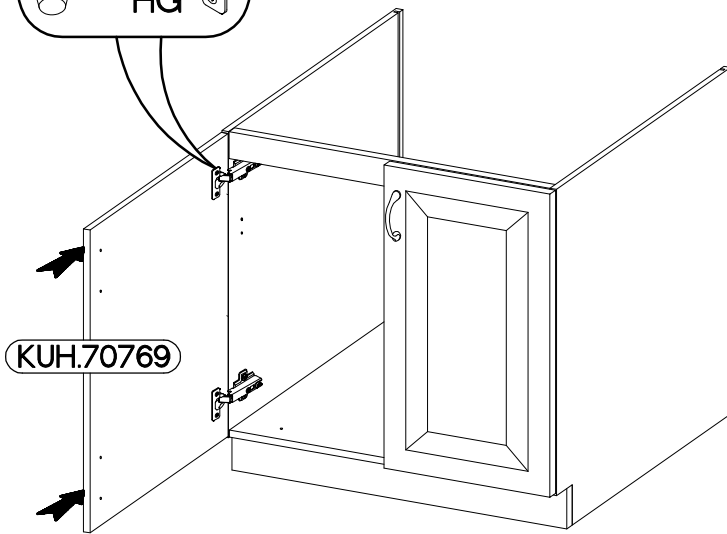
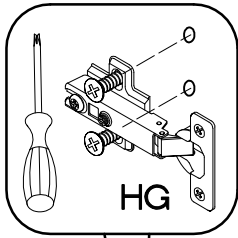
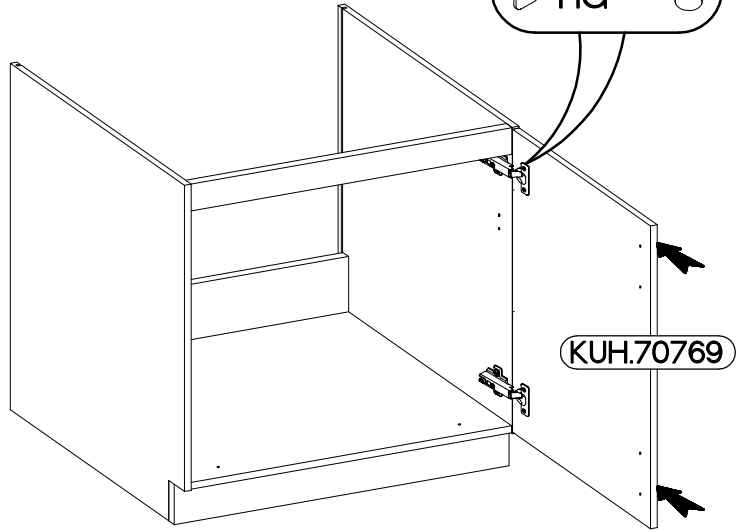
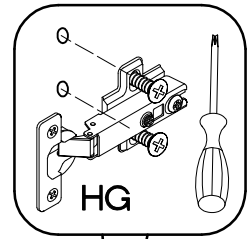
U

4



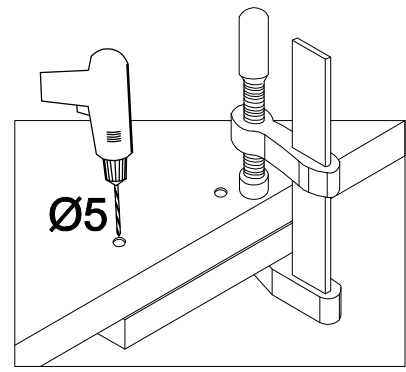
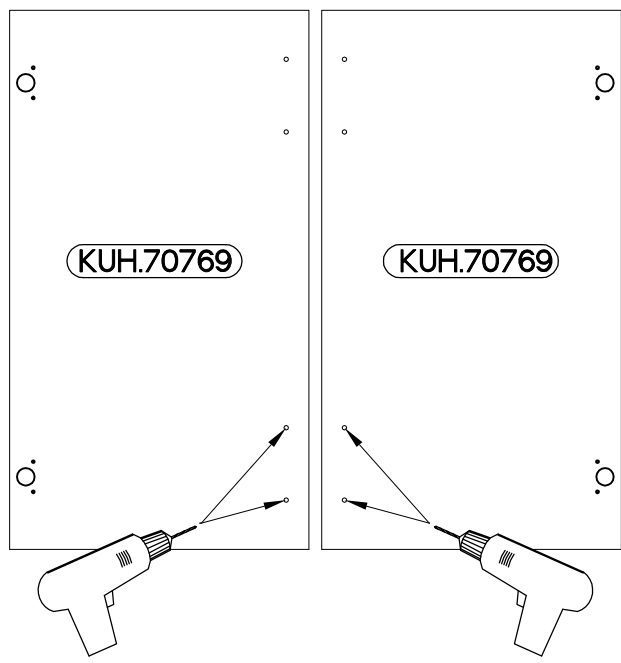
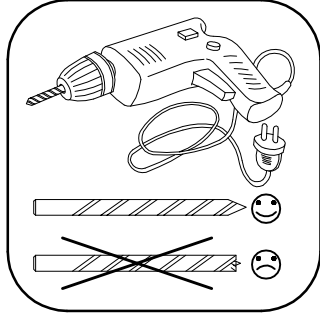
S

2





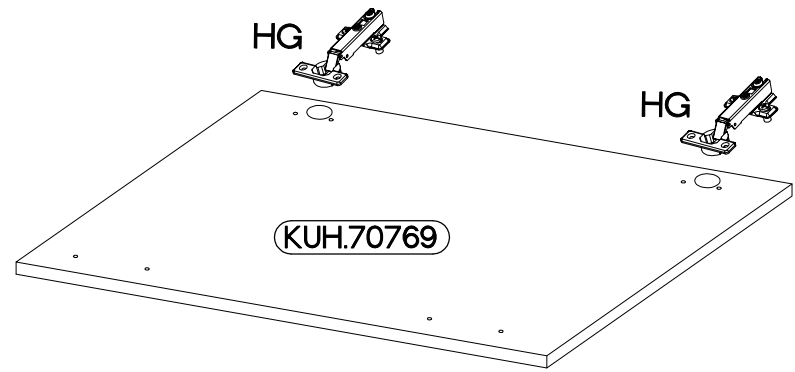
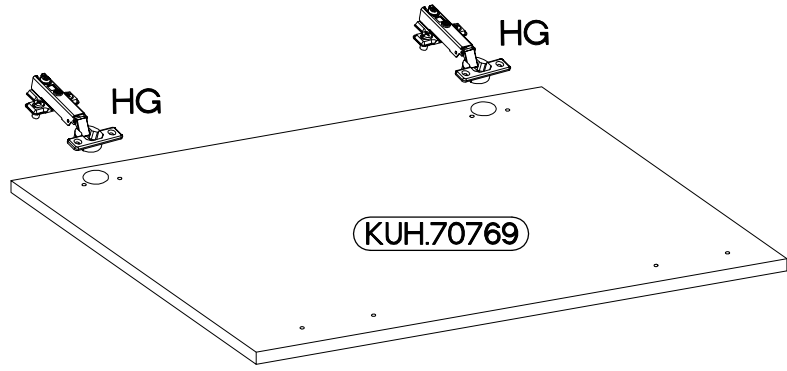
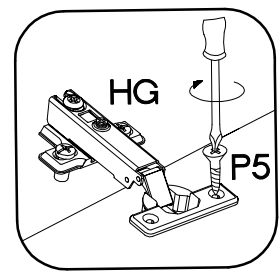
7

80 G-72 2F



8

 +35/0mm HG 4	 +3.5x13mm P5 8
---	---



M4x22mm



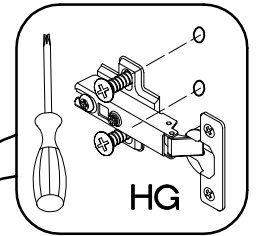
U

4

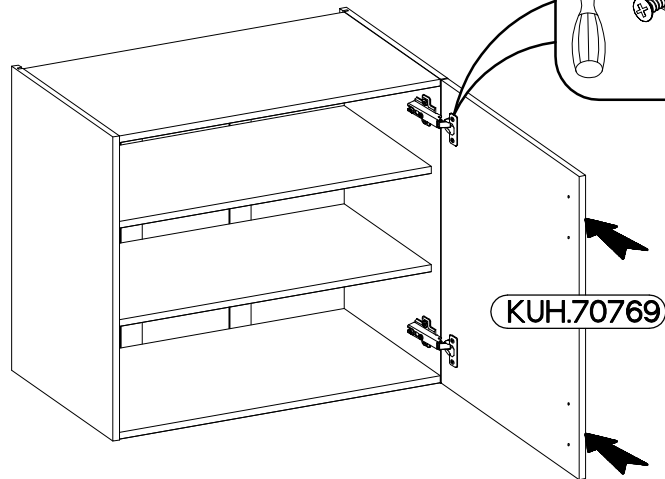


S

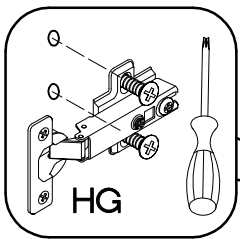
2



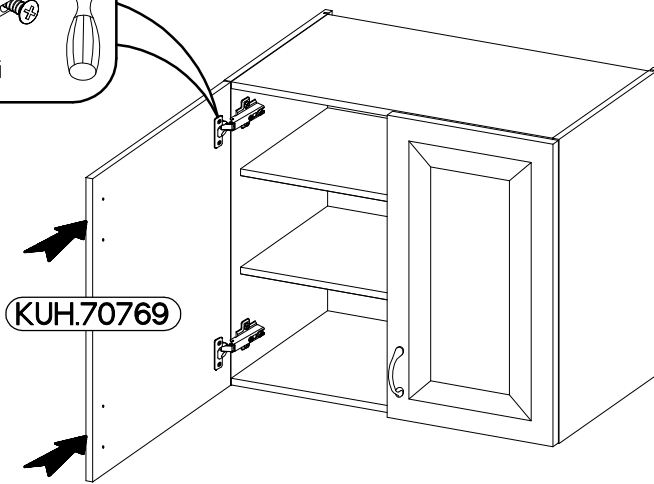
HG



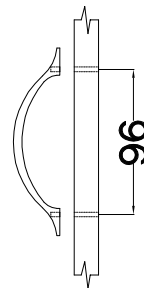
KUH.70769



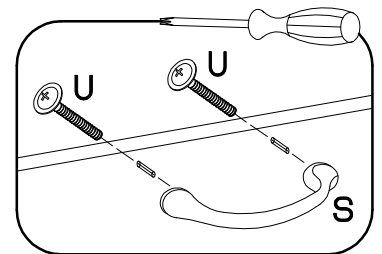
HG



KUH.70769

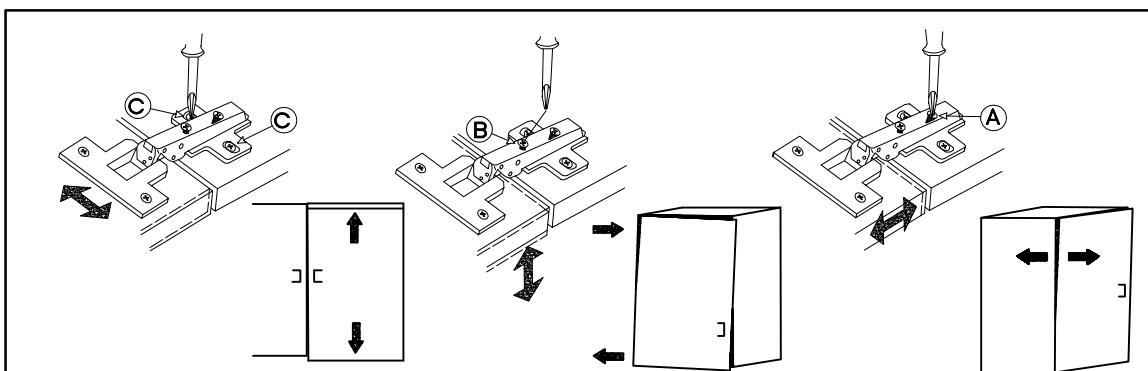


96



U

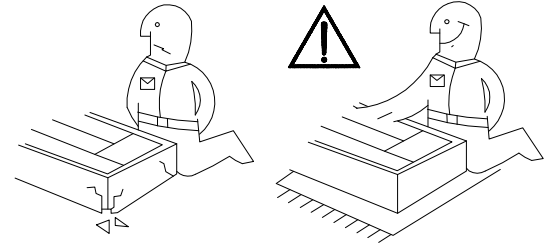
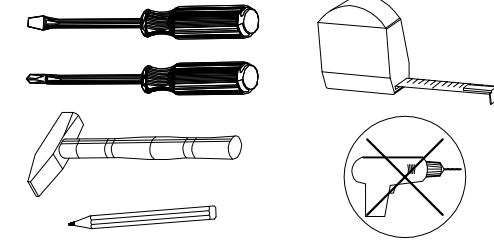
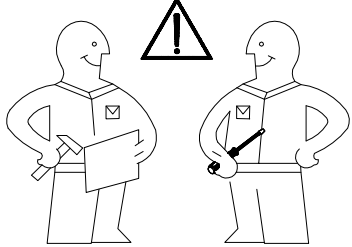
S



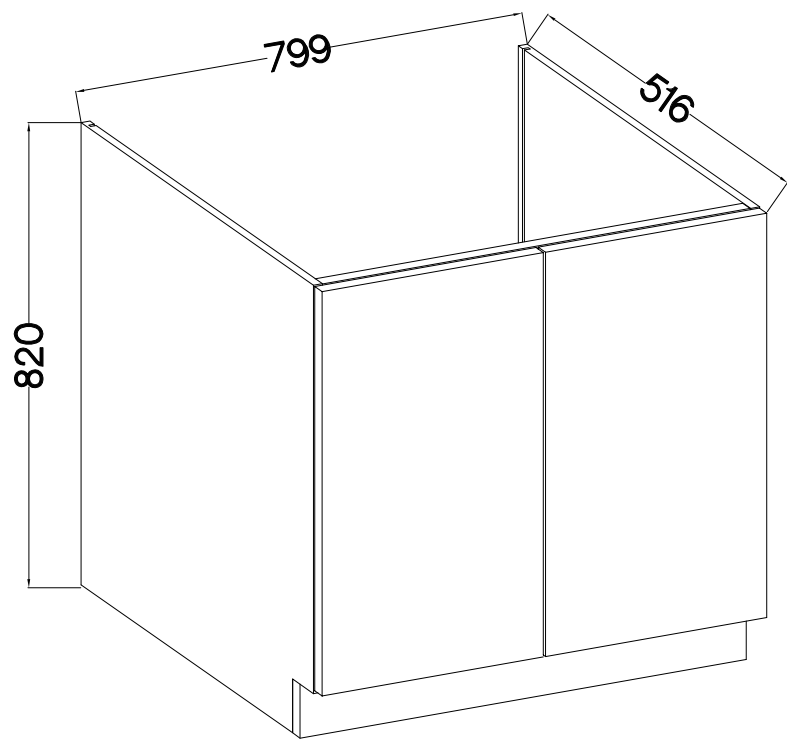
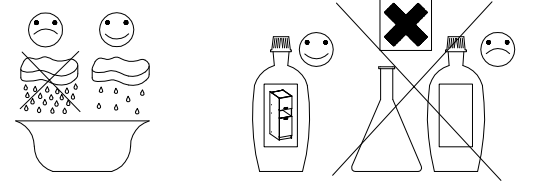
C

B

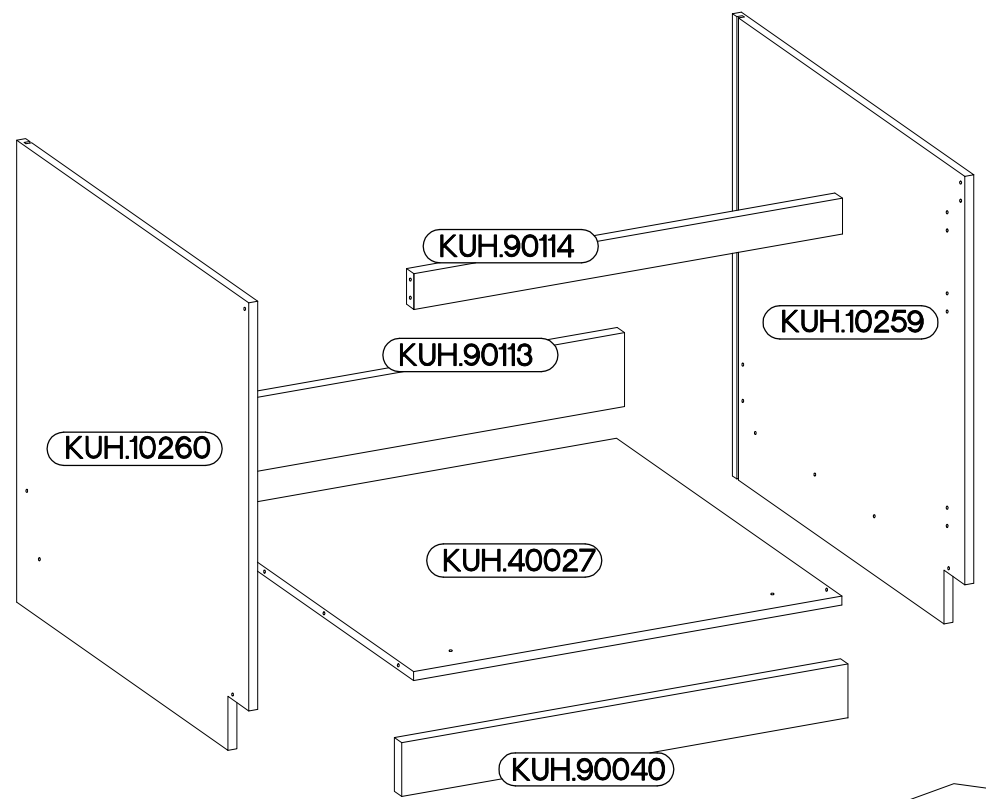
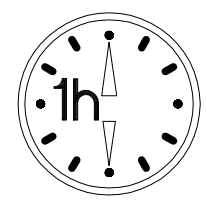
A



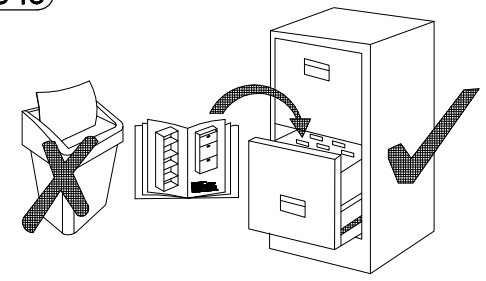
80 ZL 2F BB



KUH.40027

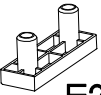
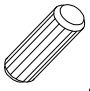


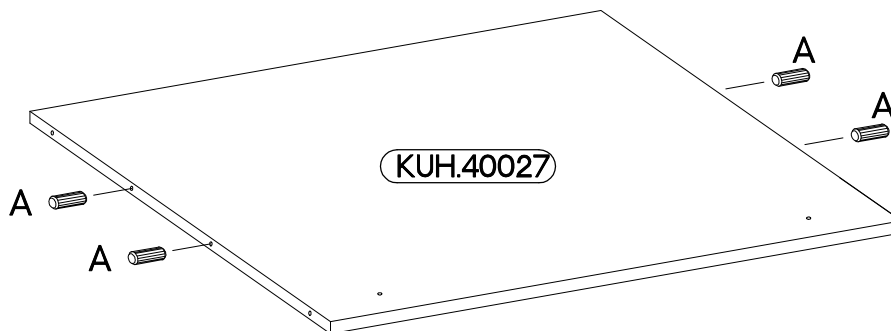
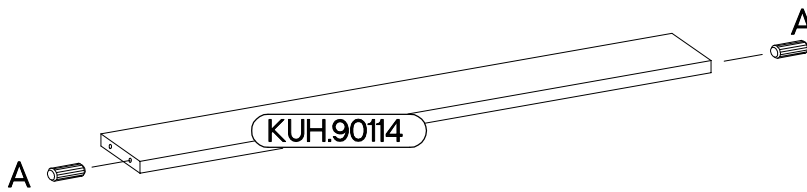
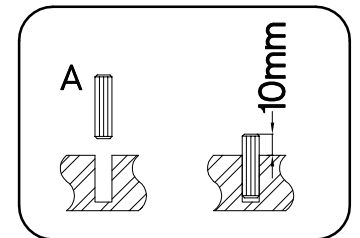
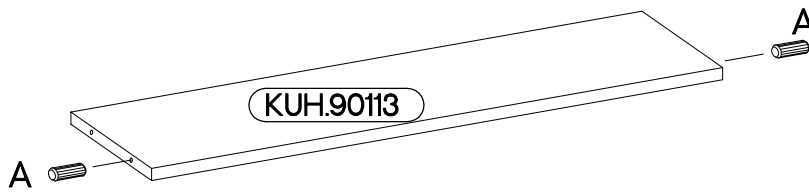
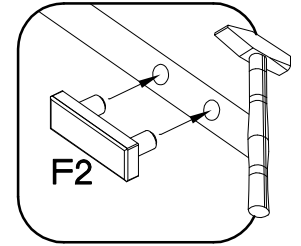
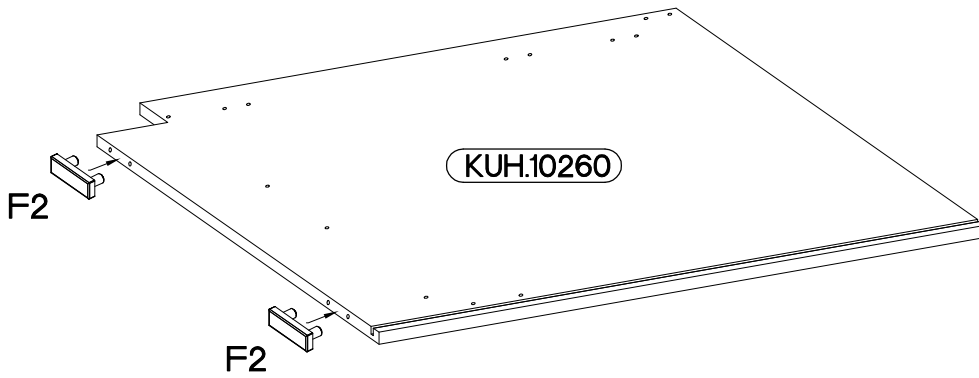
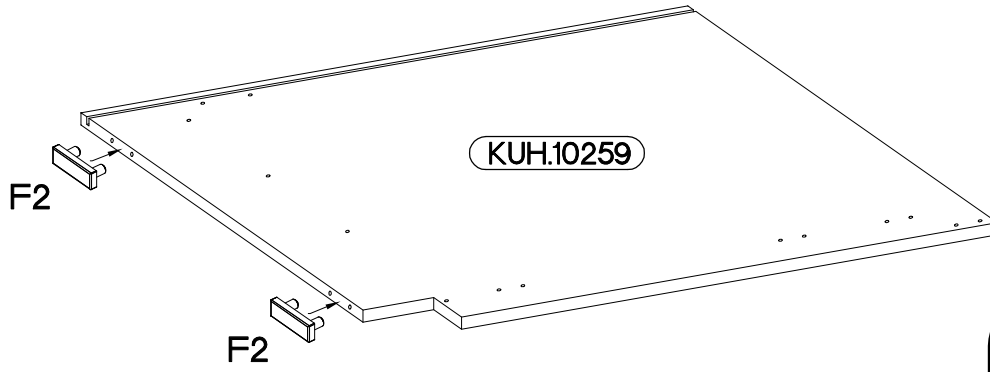
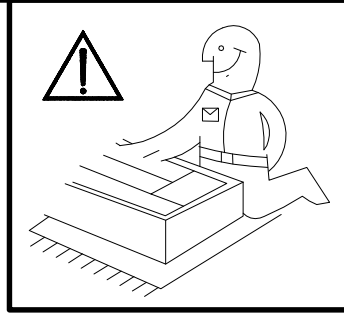
+8x30mm A 8	6,4 x 50mm B 8	 E1 8
 E9 2	6.5x48x16 F2 4	+35/0mm HG 4
 O 1	+4.0x45mm P4 2	+3.5x13mm P5 8



ISM-KUH-01144

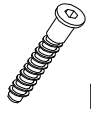
1

6.5x48x16  F2 4	+8x30mm  A 8
--	---



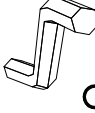
2

6,4 x 50mm



B

4



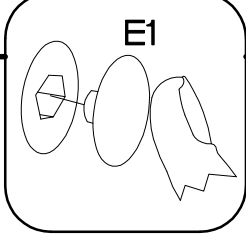
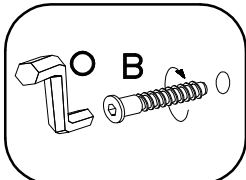
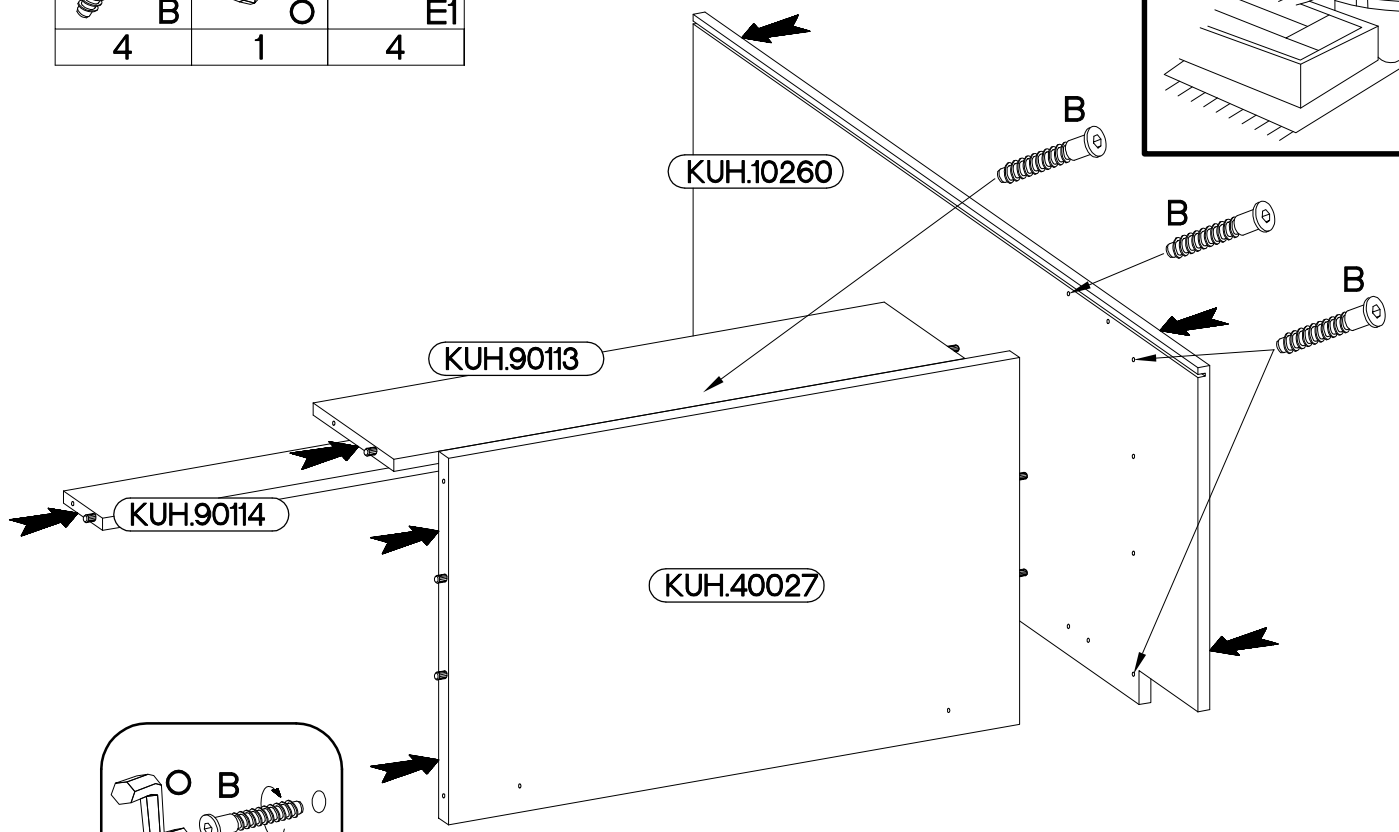
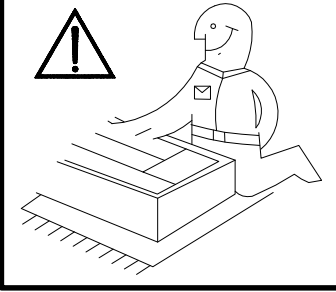
O

1

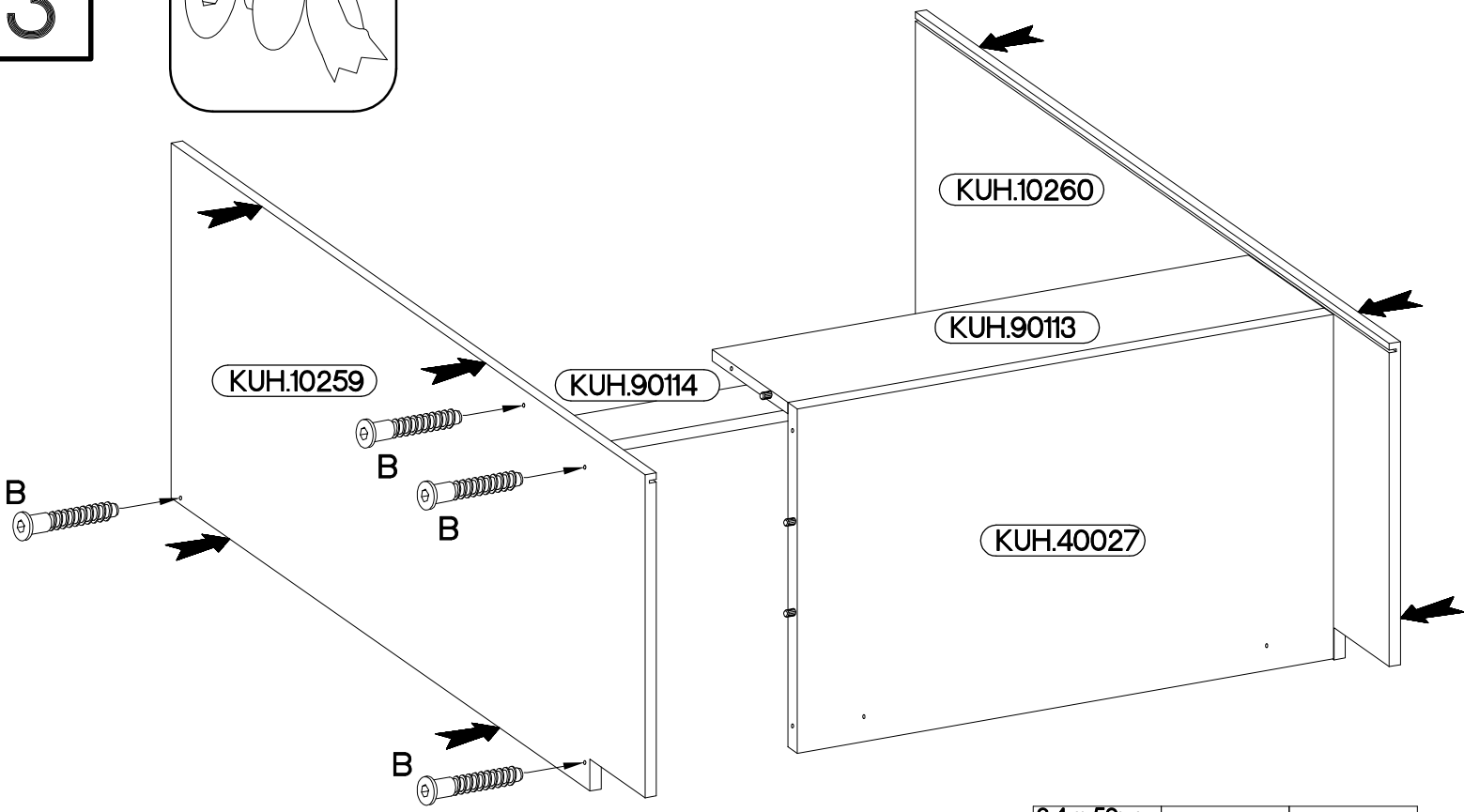


E1

4



3

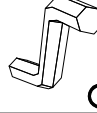


6,4 x 50mm



B

4



O

1



E1

4

B	O	E1
4	1	4

4

4.0x45mm



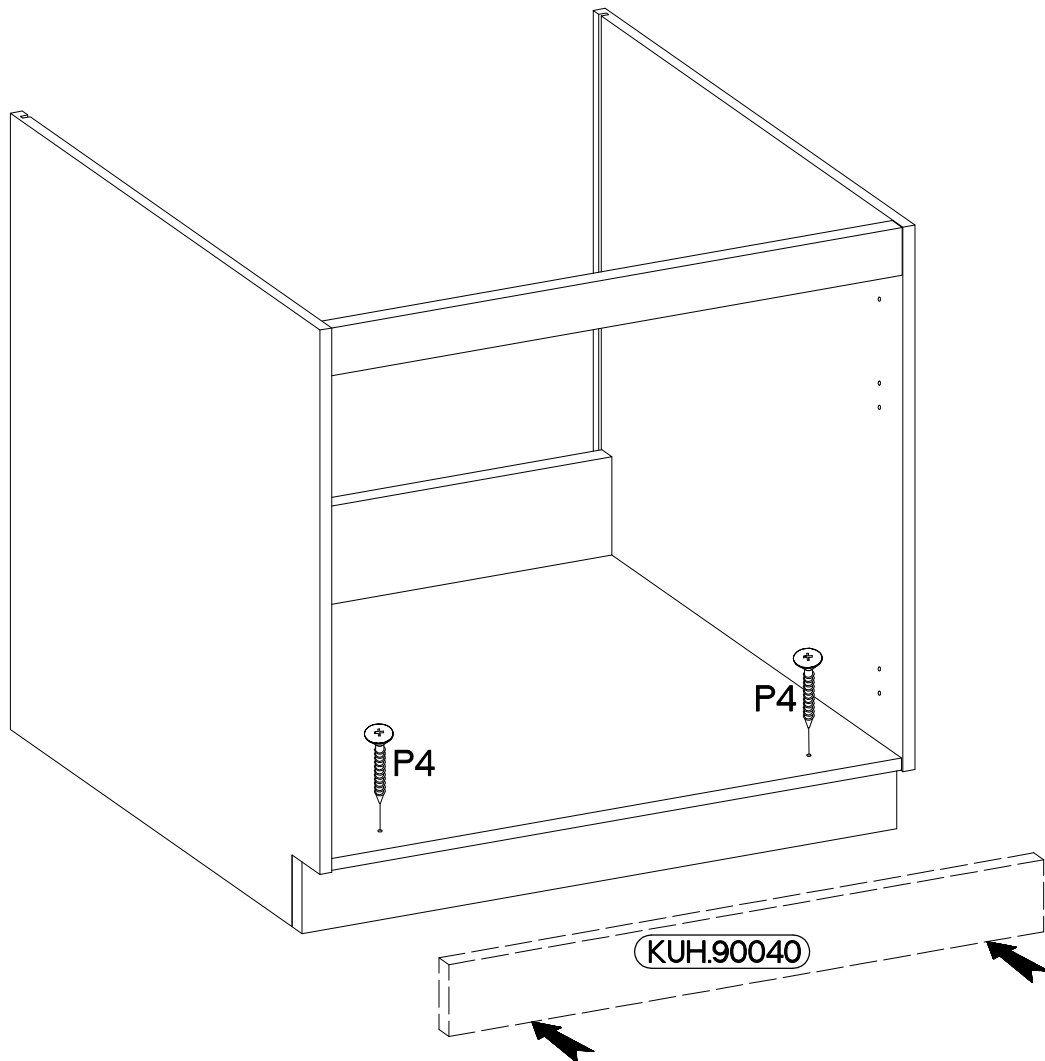
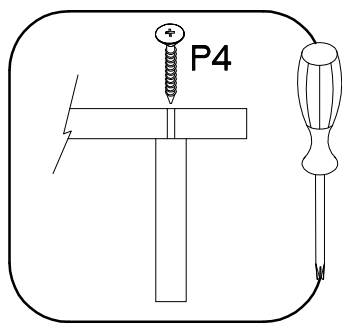
P4

2



E9

2



5

FRONT

396

396

713

