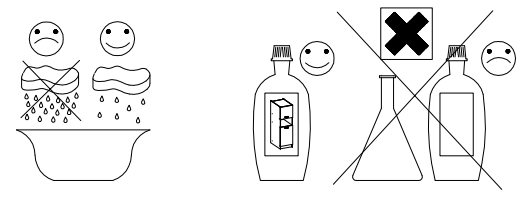
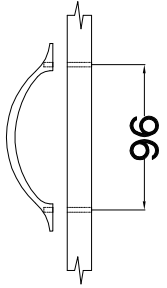
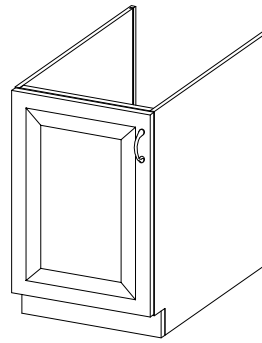
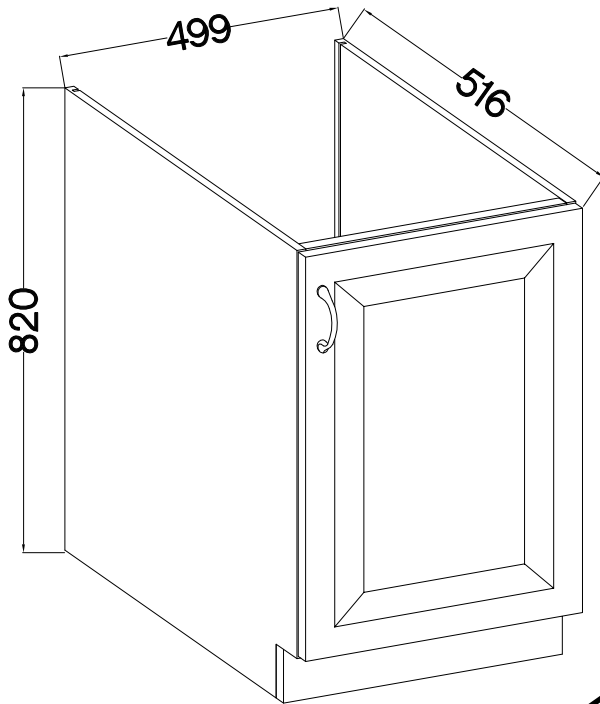


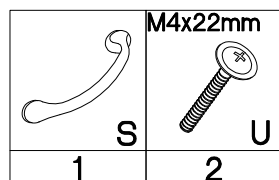
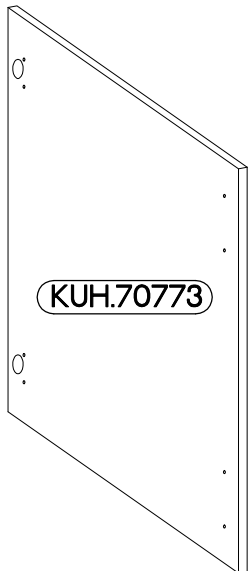
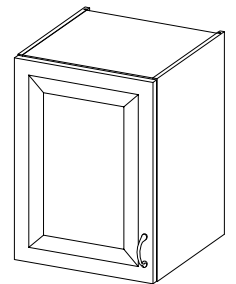
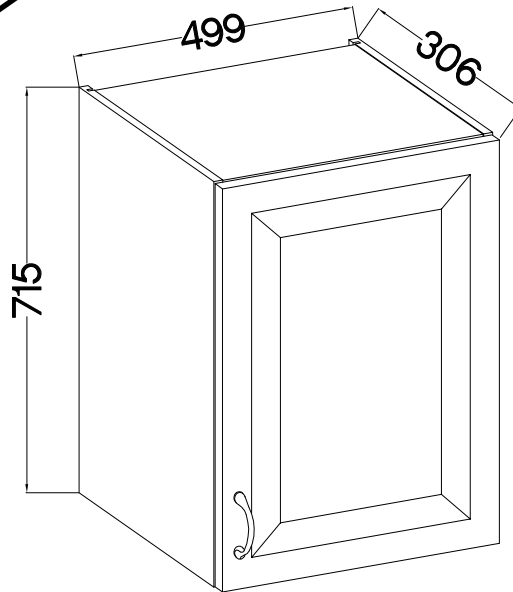
FRONT



50 ZL 1F BB



50 G-72 1F



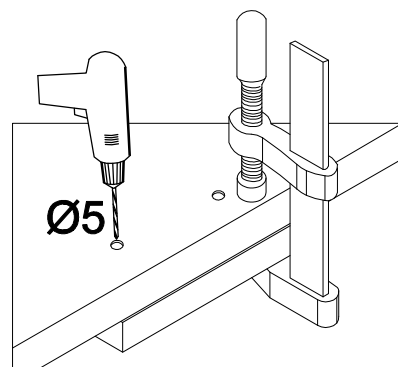
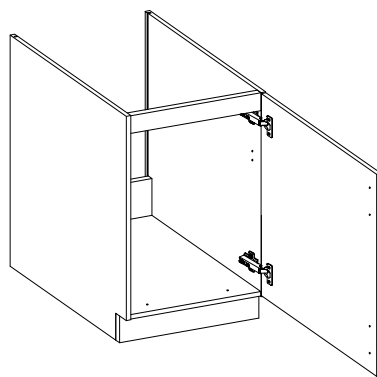
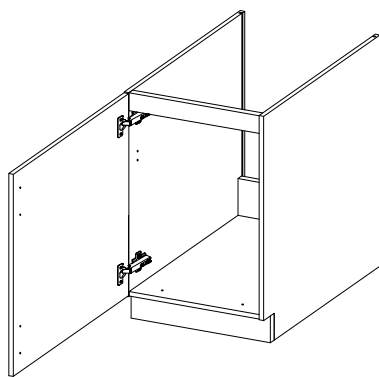
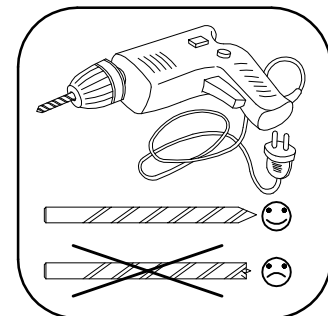
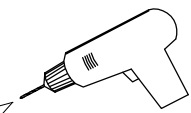
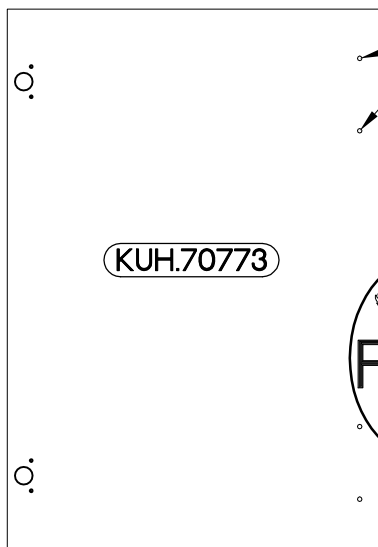
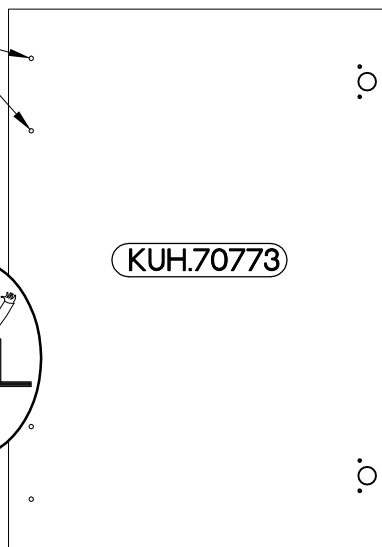
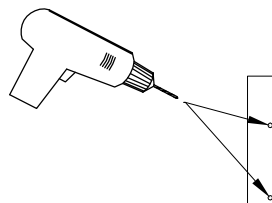
ISM-KUH-01191

1

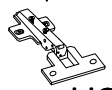

50 ZL 1F BB

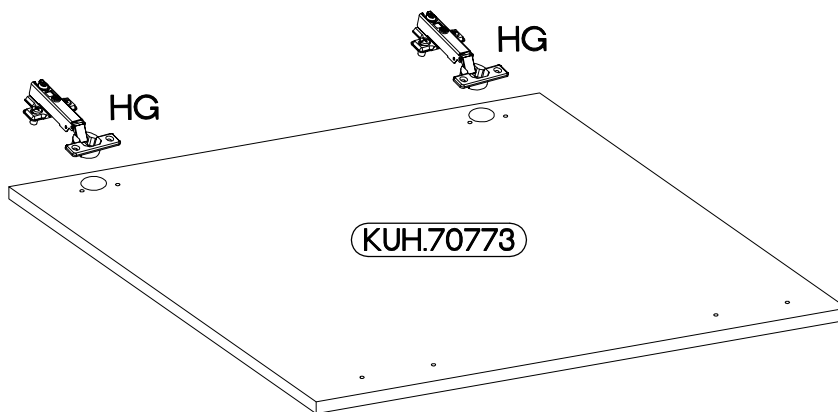
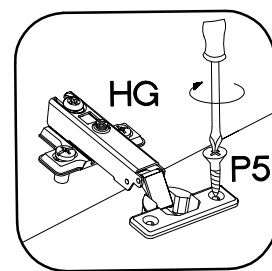
LEFT

RIGHT



2

+35/0mm	+3.5x13mm
	
HG	P5
2	4

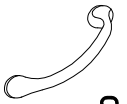


3

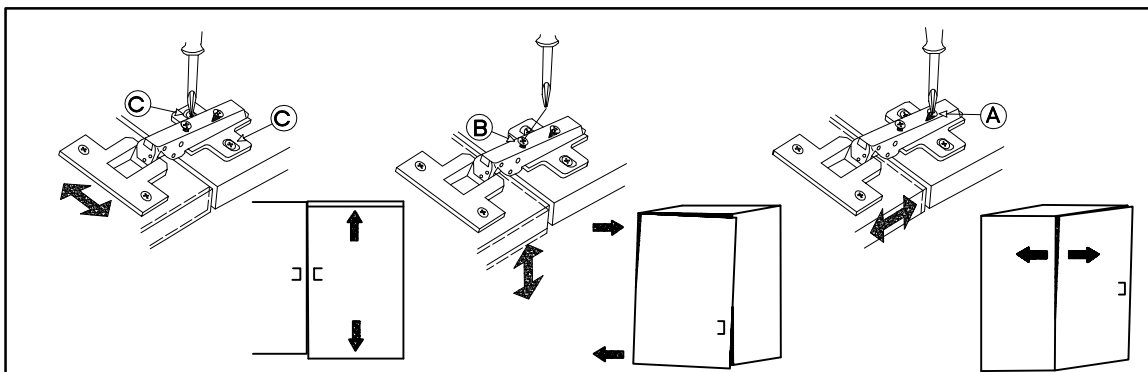
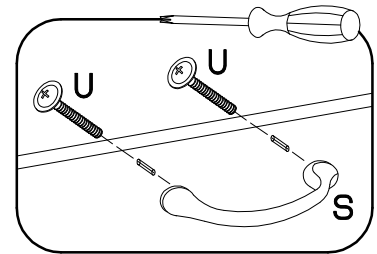
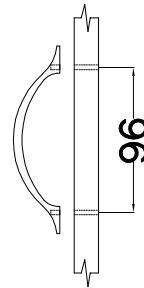
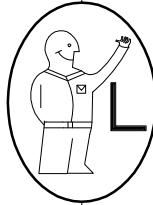
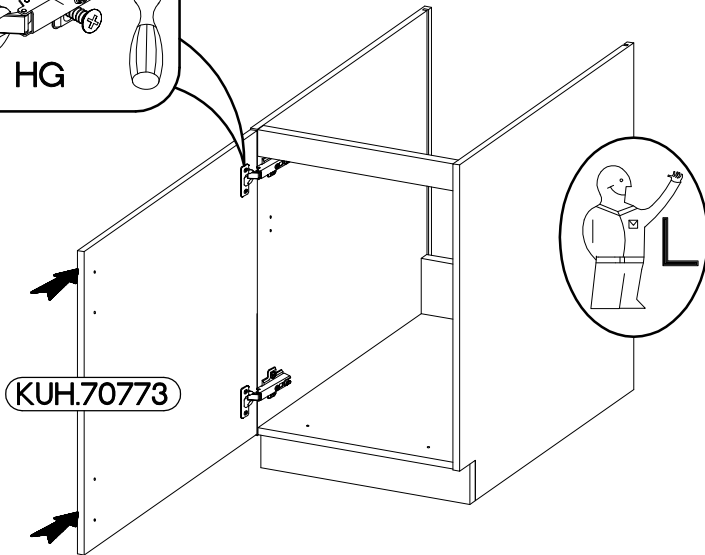
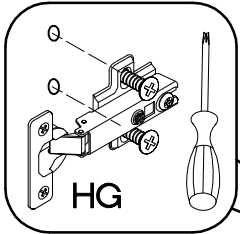
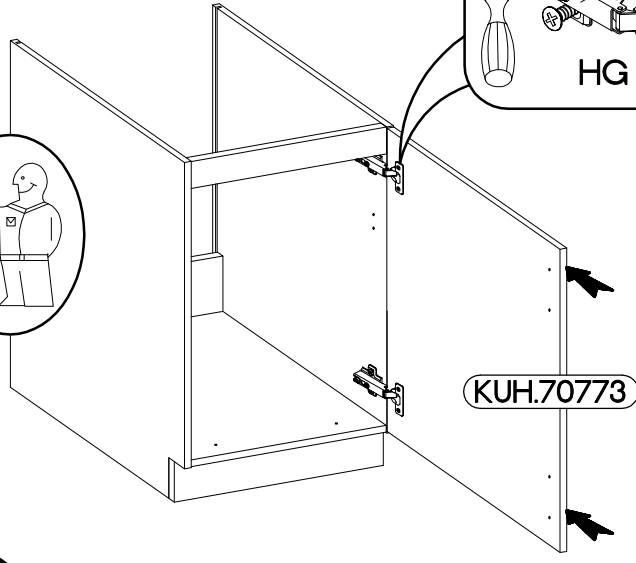
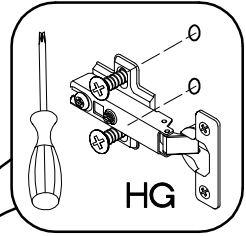
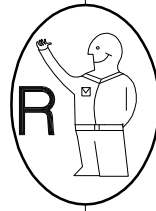
M4x22mm



2



1

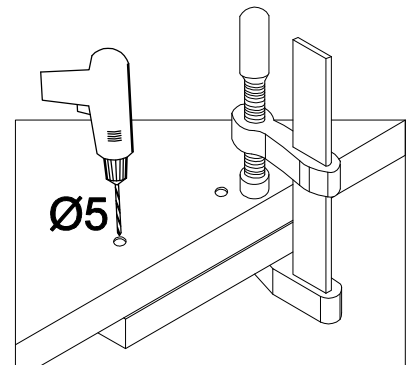
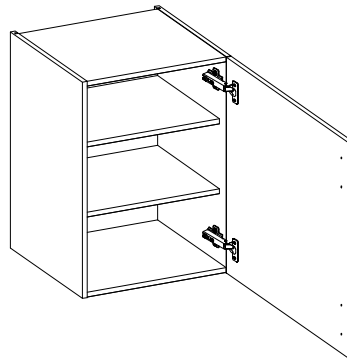
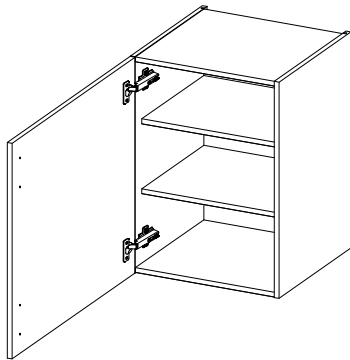
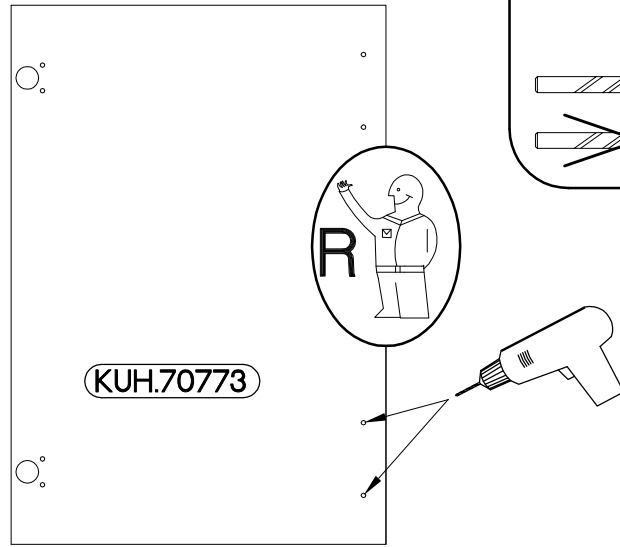
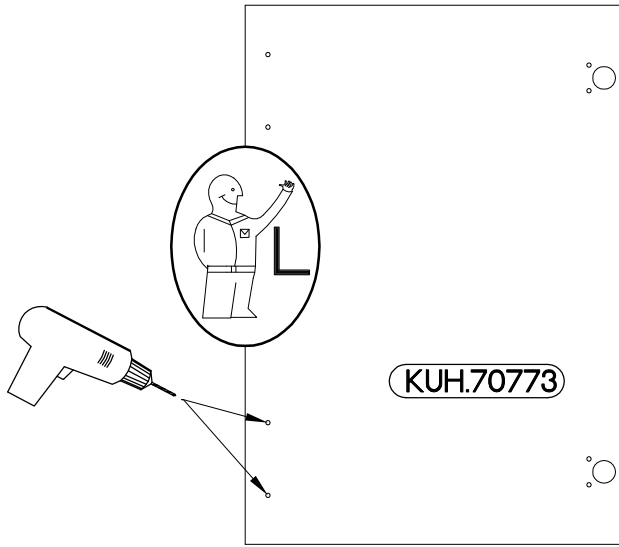
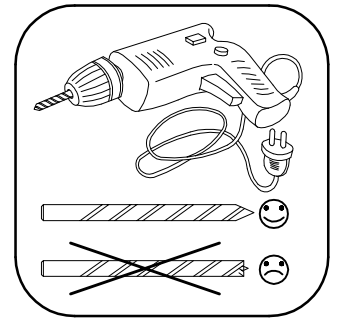


# 4



# 50 G-72 1F

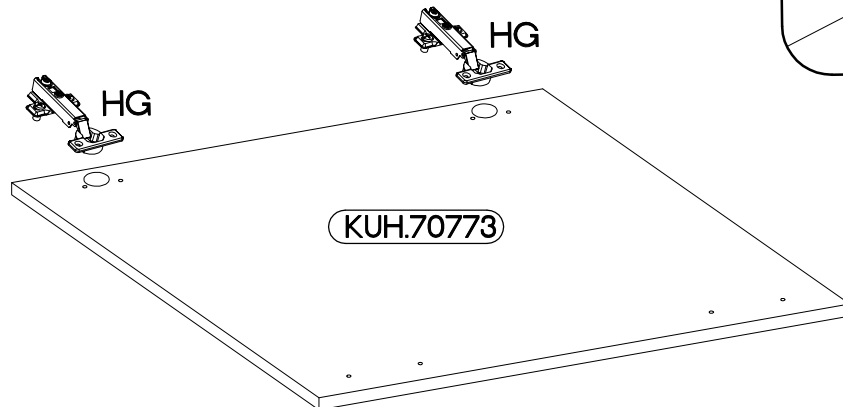
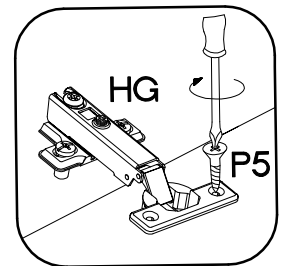
## LEFT

## RIGHT



# 5

 HG 2	 P5 4
--	--



6

M4x22mm



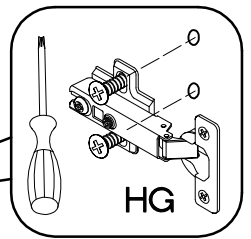
U

2

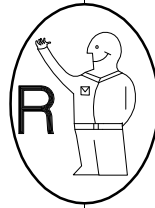


S

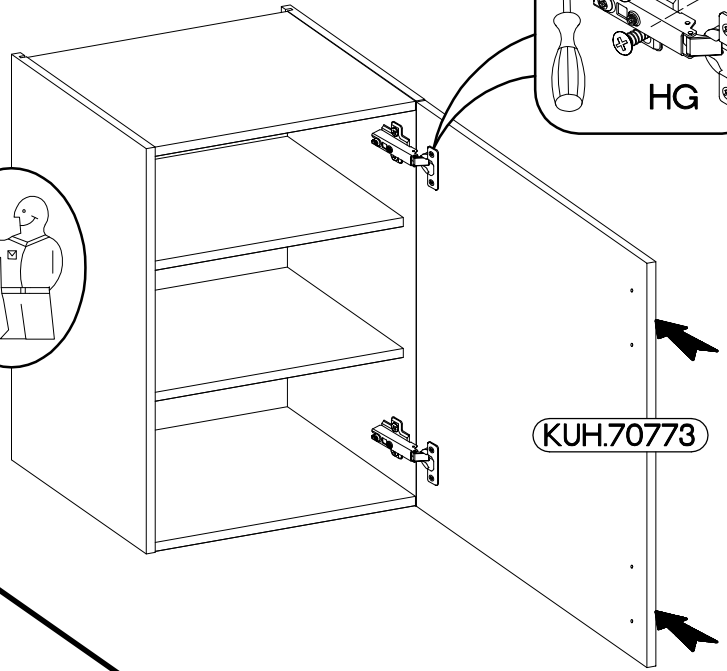
1



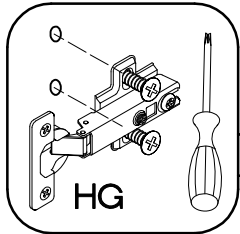
HG



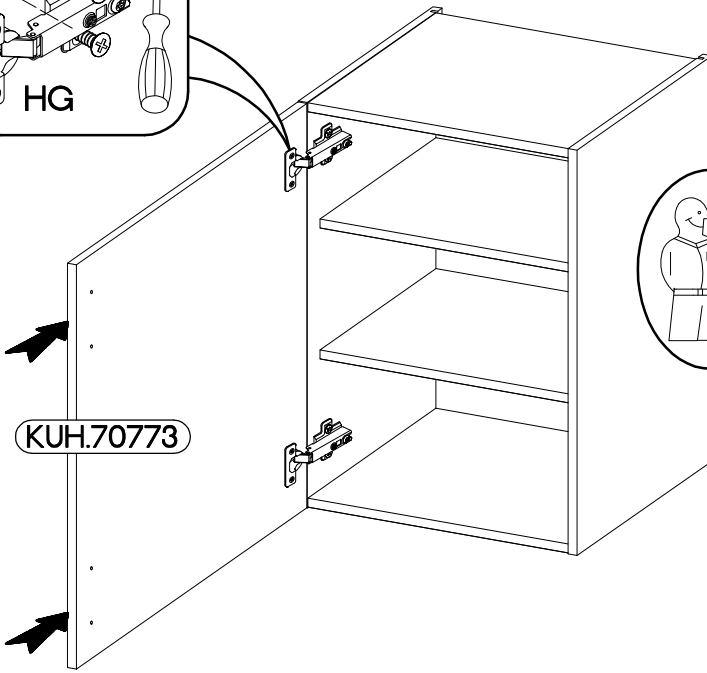
R



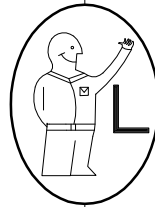
KUH.70773



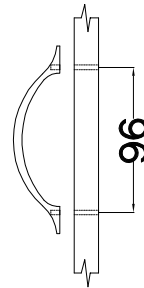
HG



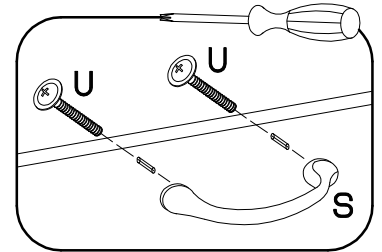
KUH.70773



L

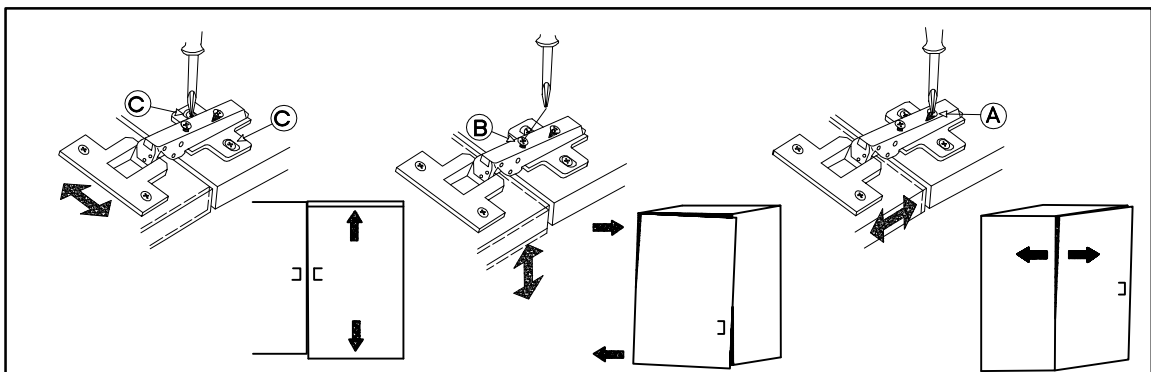


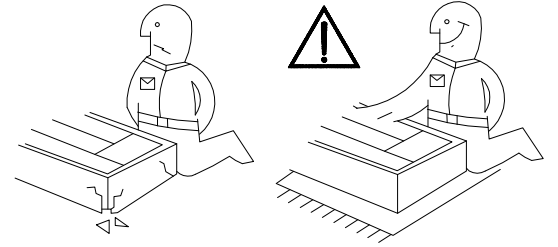
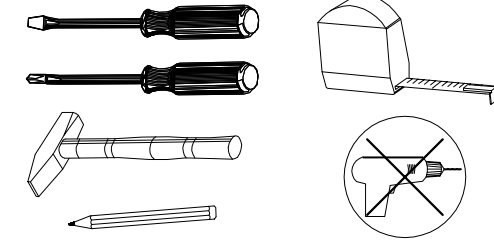
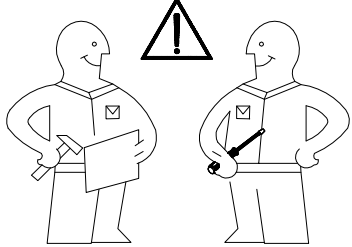
96



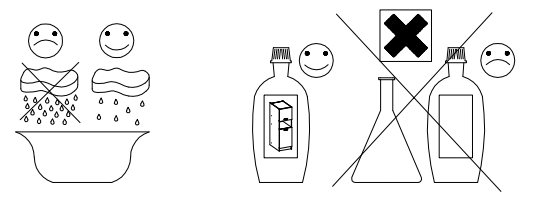
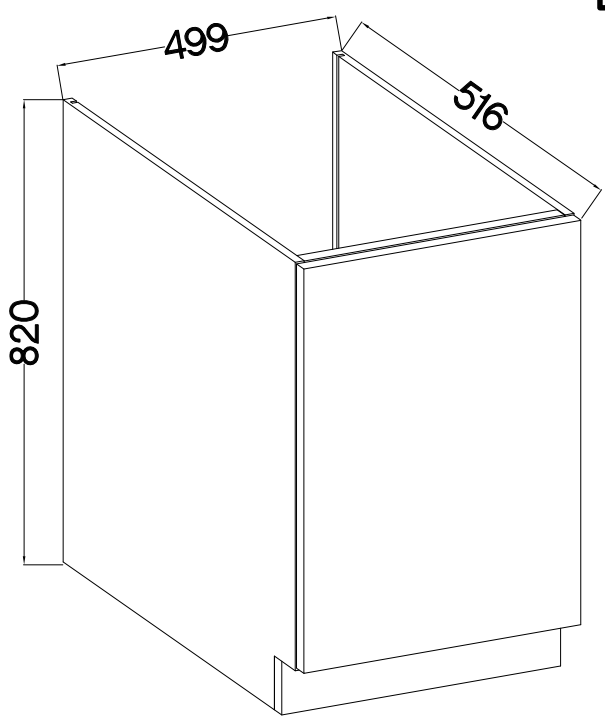
U

S

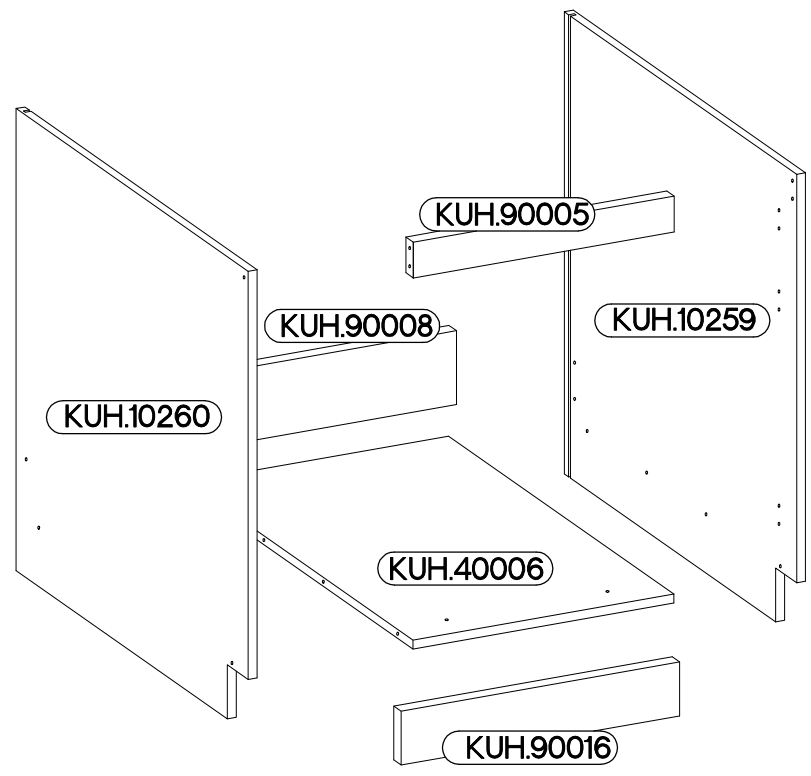
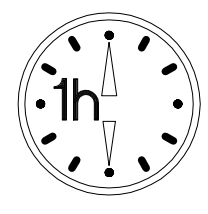




50 ZL 1F BB

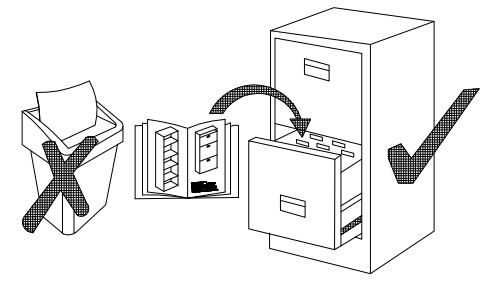


KUH.40006

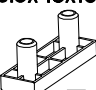
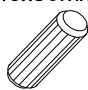


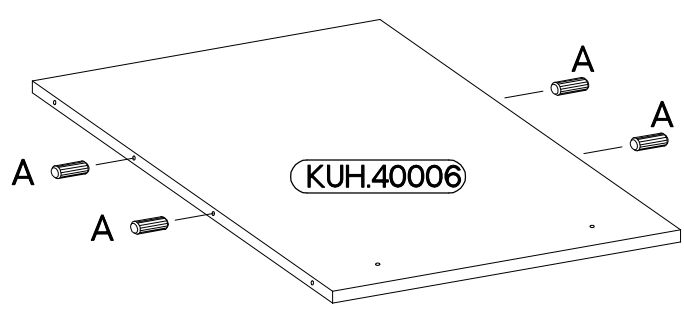
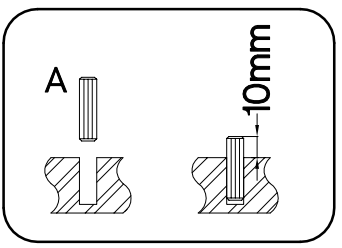
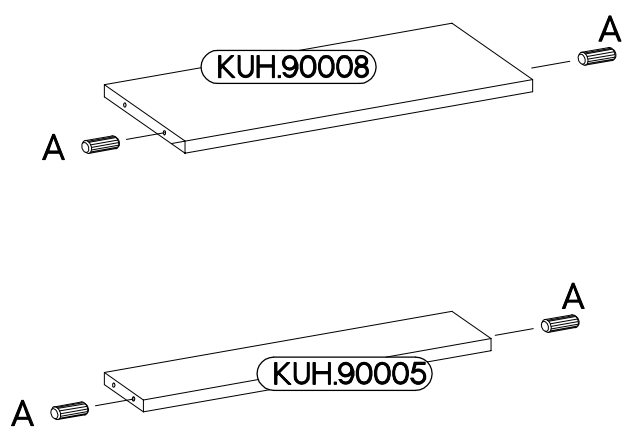
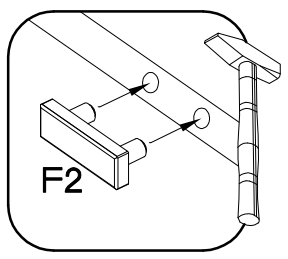
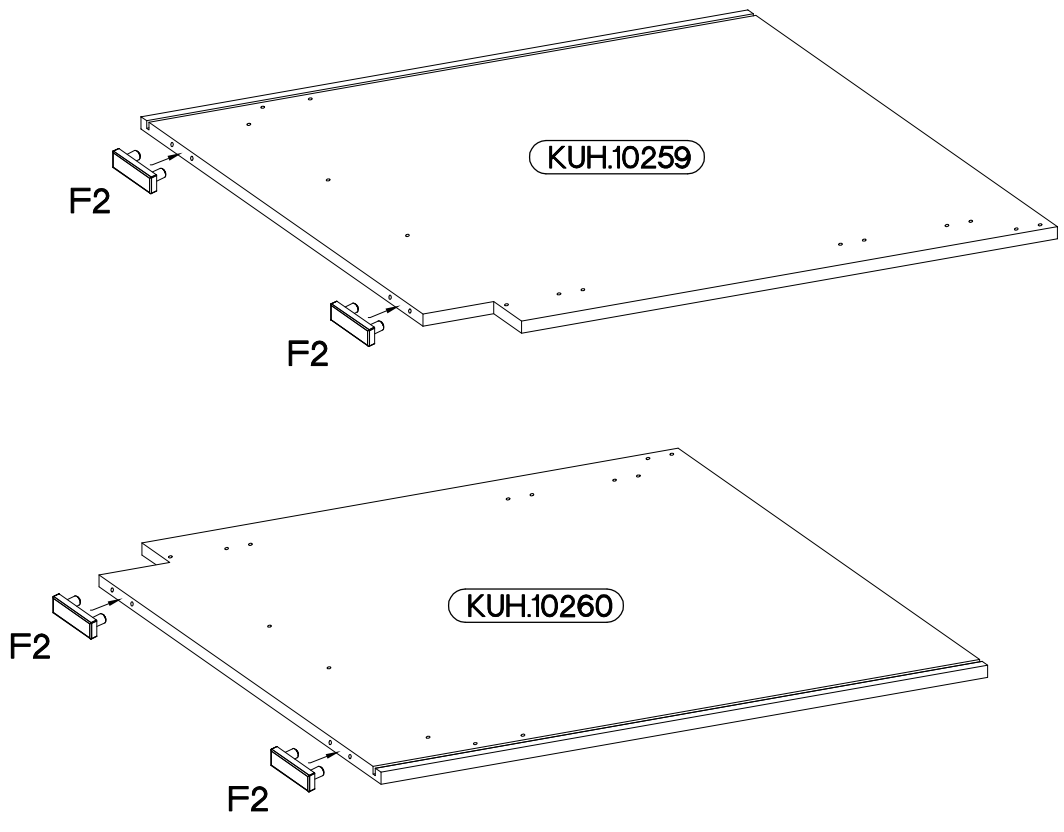
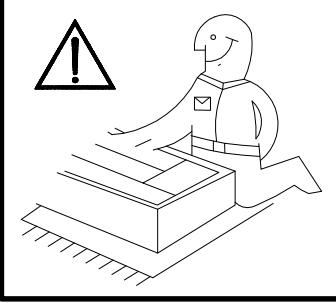
$\pm 8 \times 30 \text{mm}$	$6,4 \times 50 \text{mm}$
A	B
8	8

E1	E9	F2	HG	O	P4	P5
8	2	4	2	1	2	4

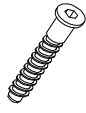
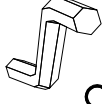



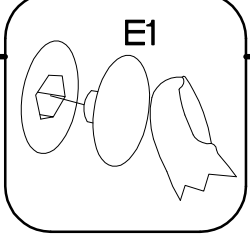
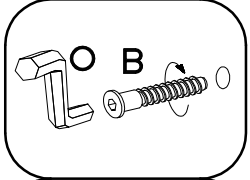
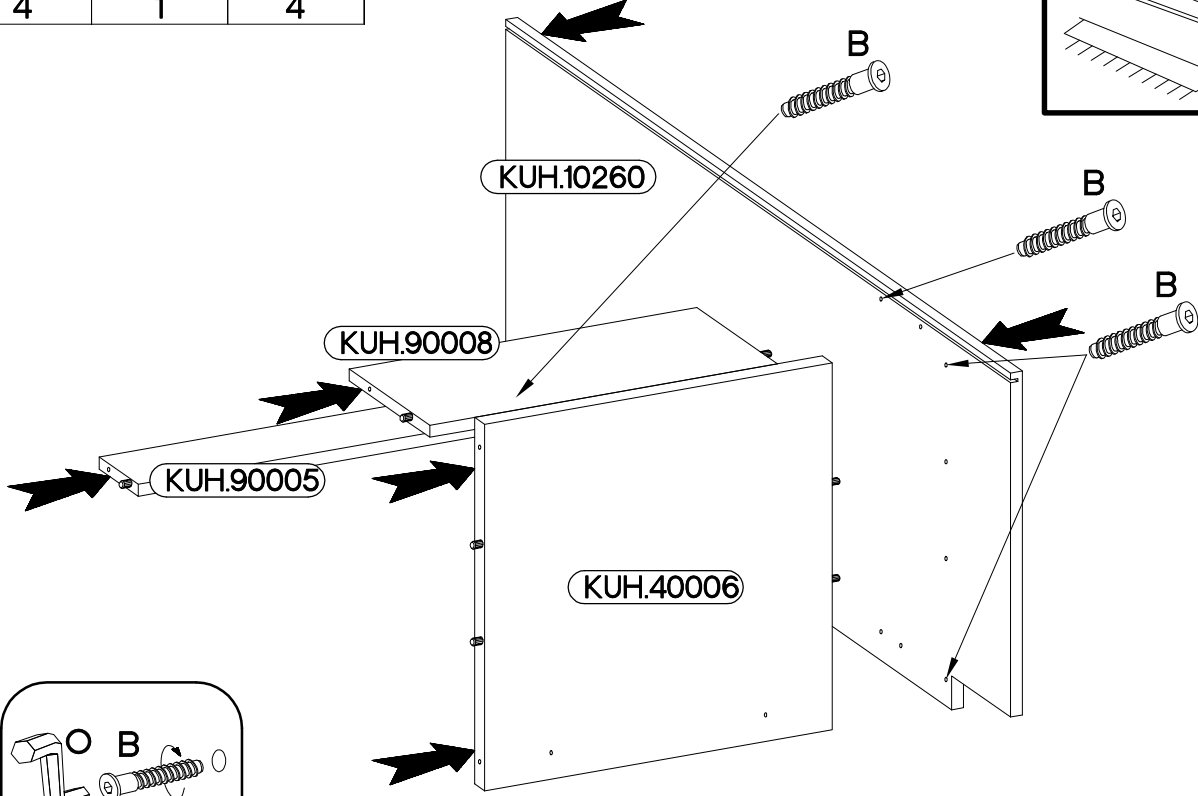
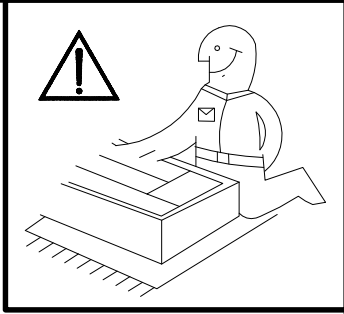
ISM-KUH-01126

6.5x48x16  F2 4	+8x30mm  A 8
--	---

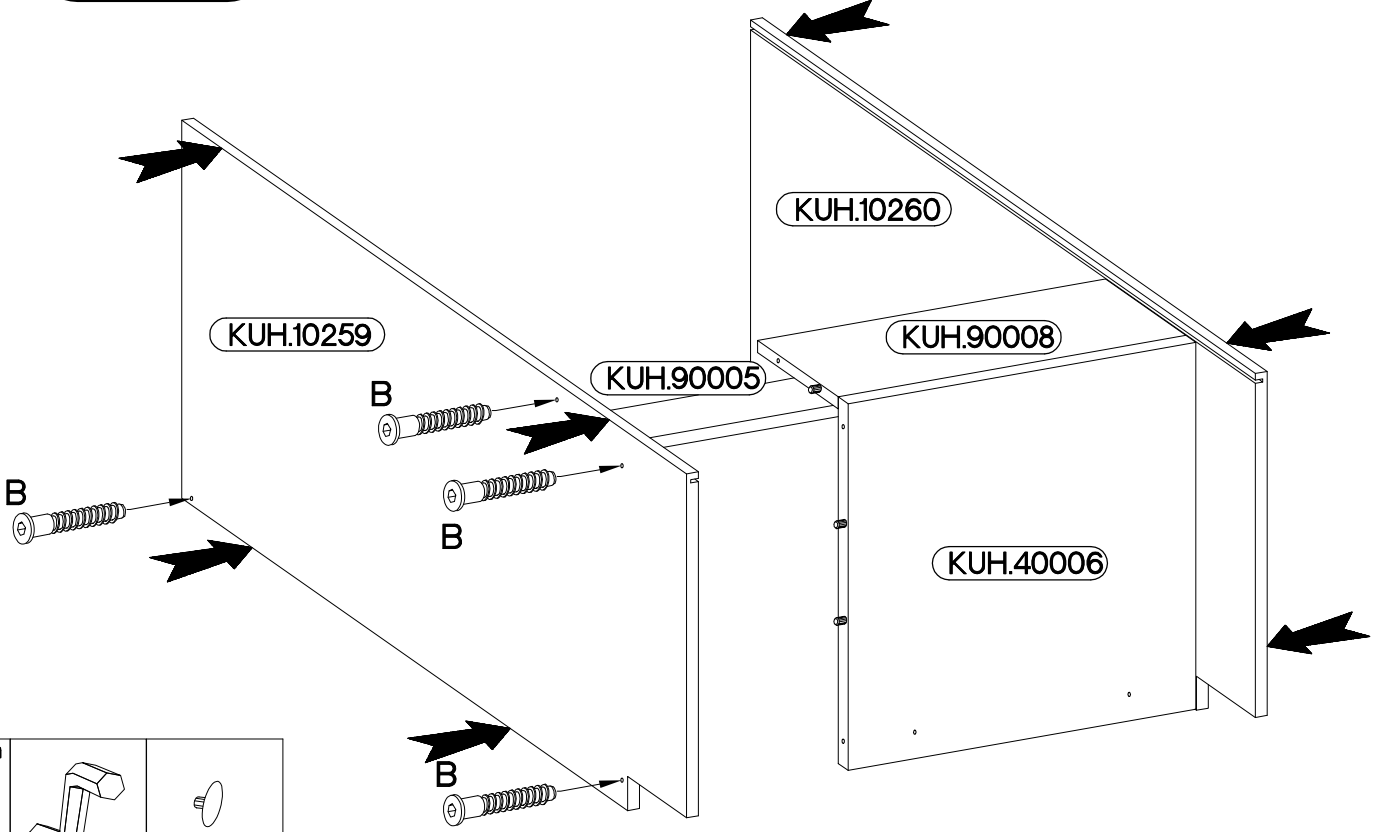


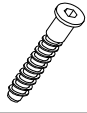
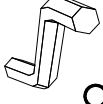

2

6,4 x 50mm		
		
<b>B</b>	<b>O</b>	<b>E1</b>
4	1	4



3



6,4 x 50mm		
		
<b>B</b>	<b>O</b>	<b>E1</b>
4	1	4



4

4.0x45mm



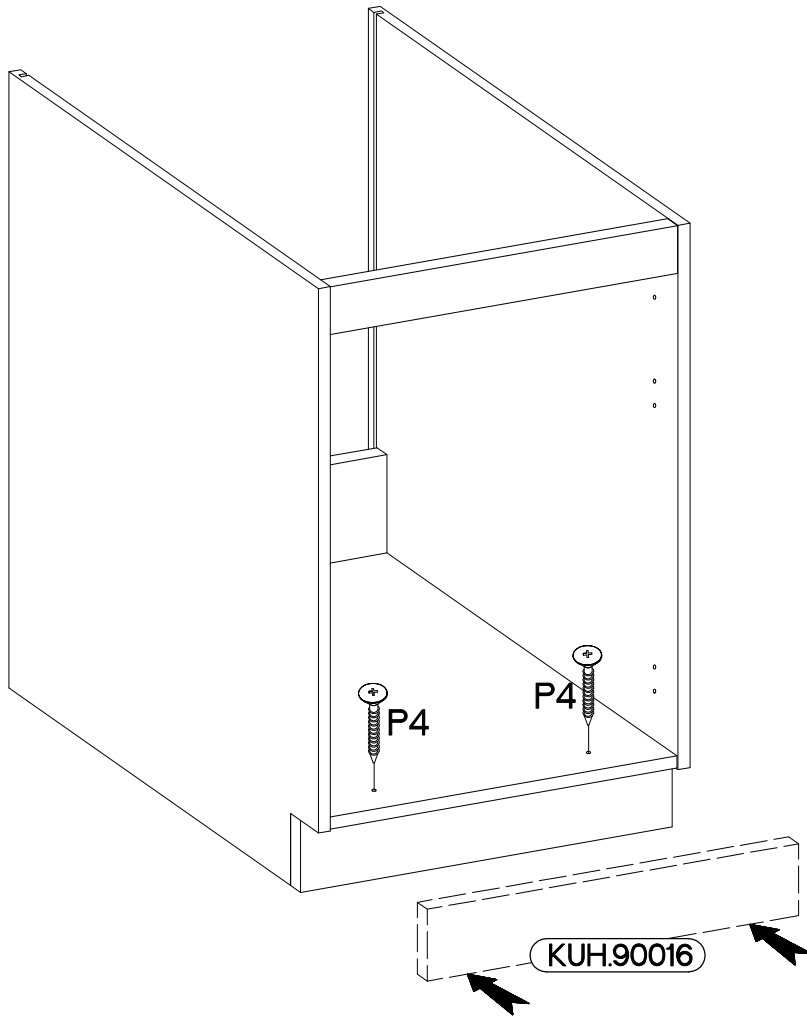
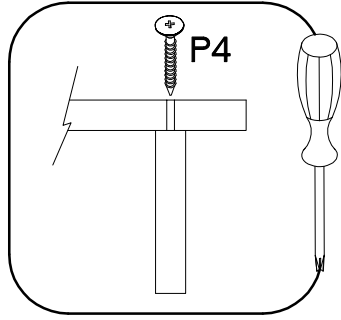
P4

2



E9

2



5

FRONT

