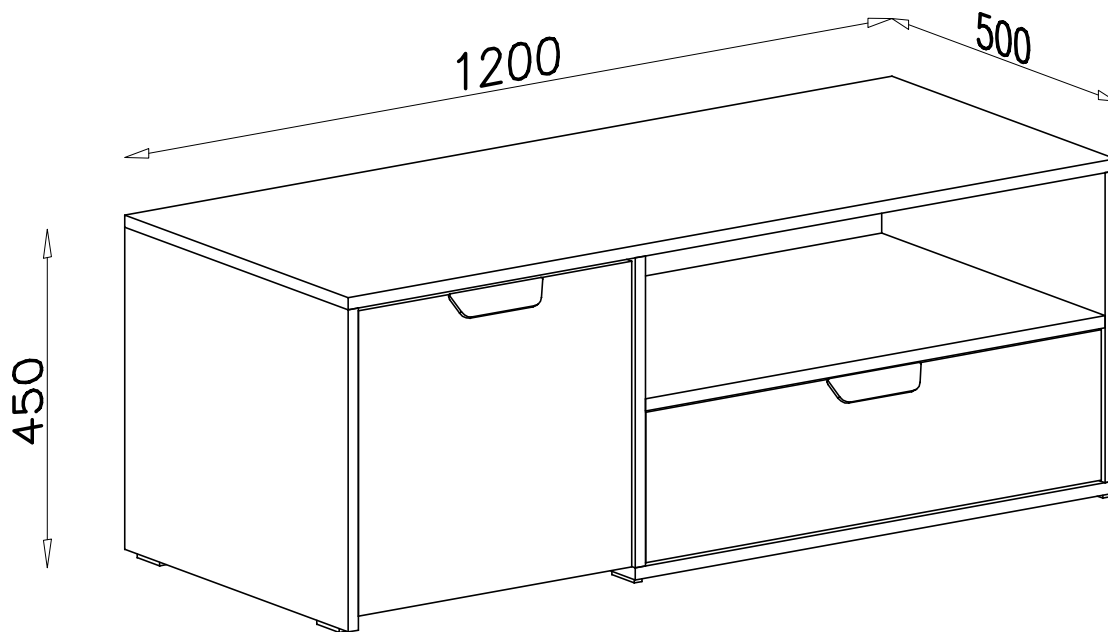
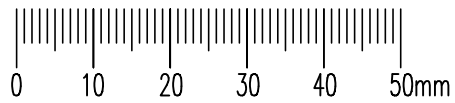
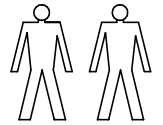
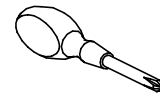
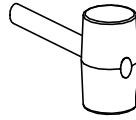
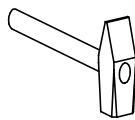
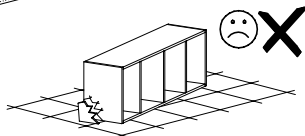
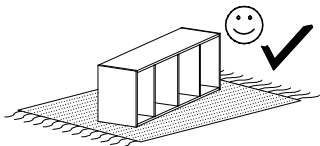

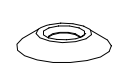


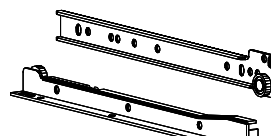
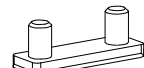



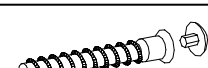

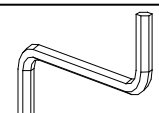
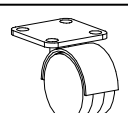



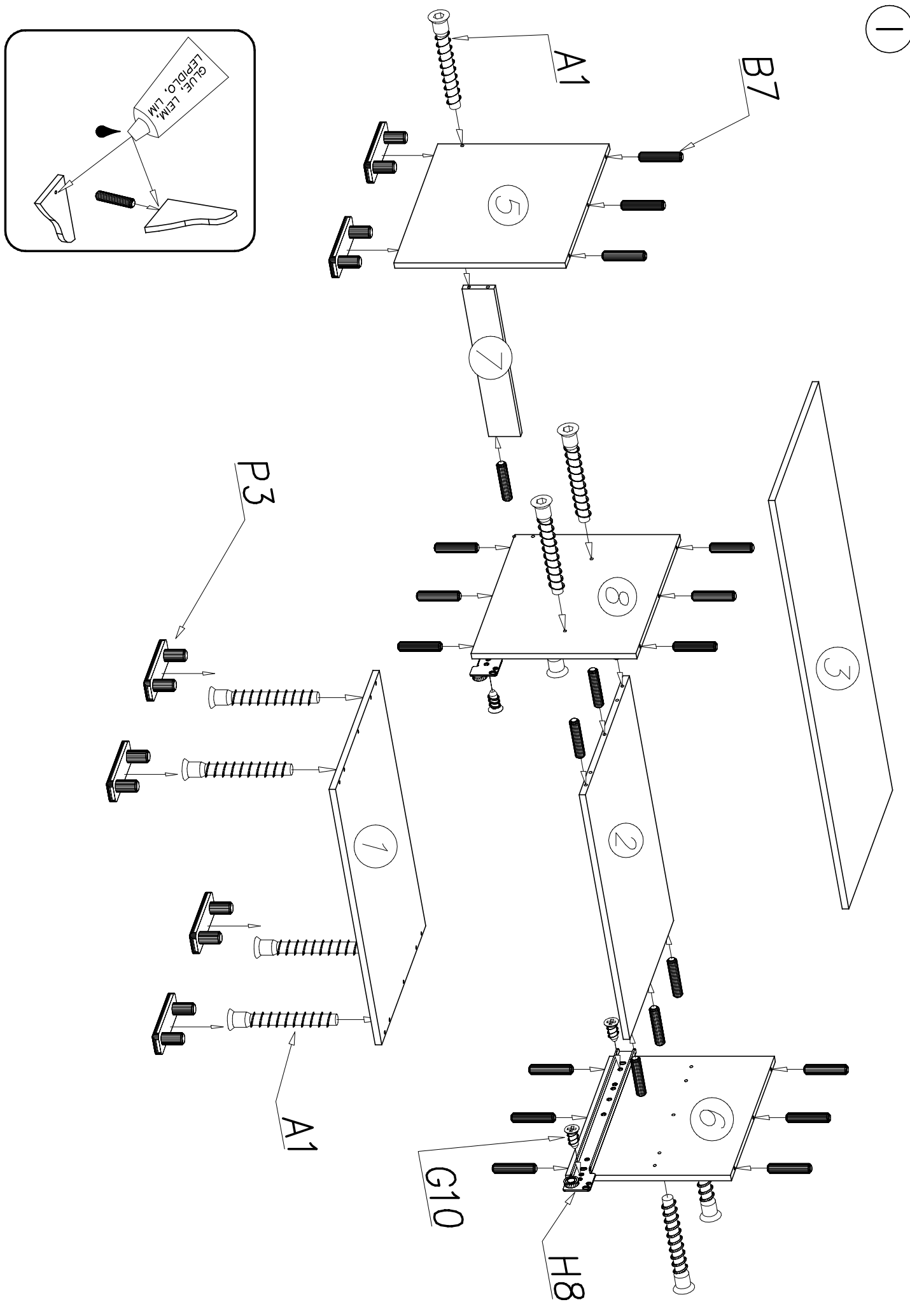
NANO

10

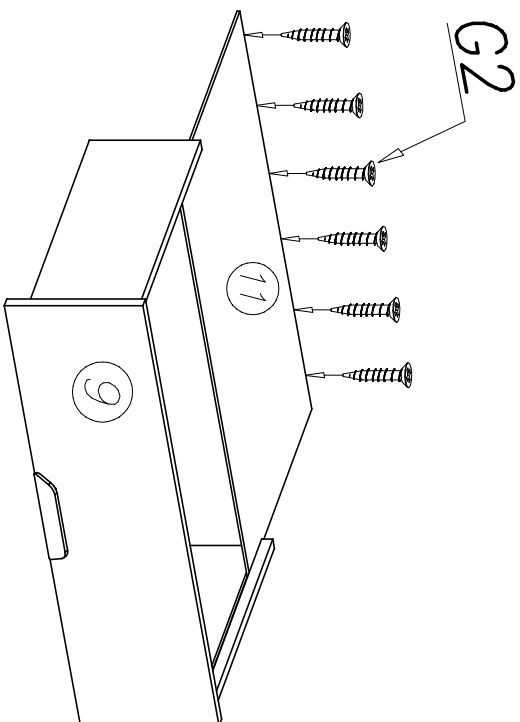
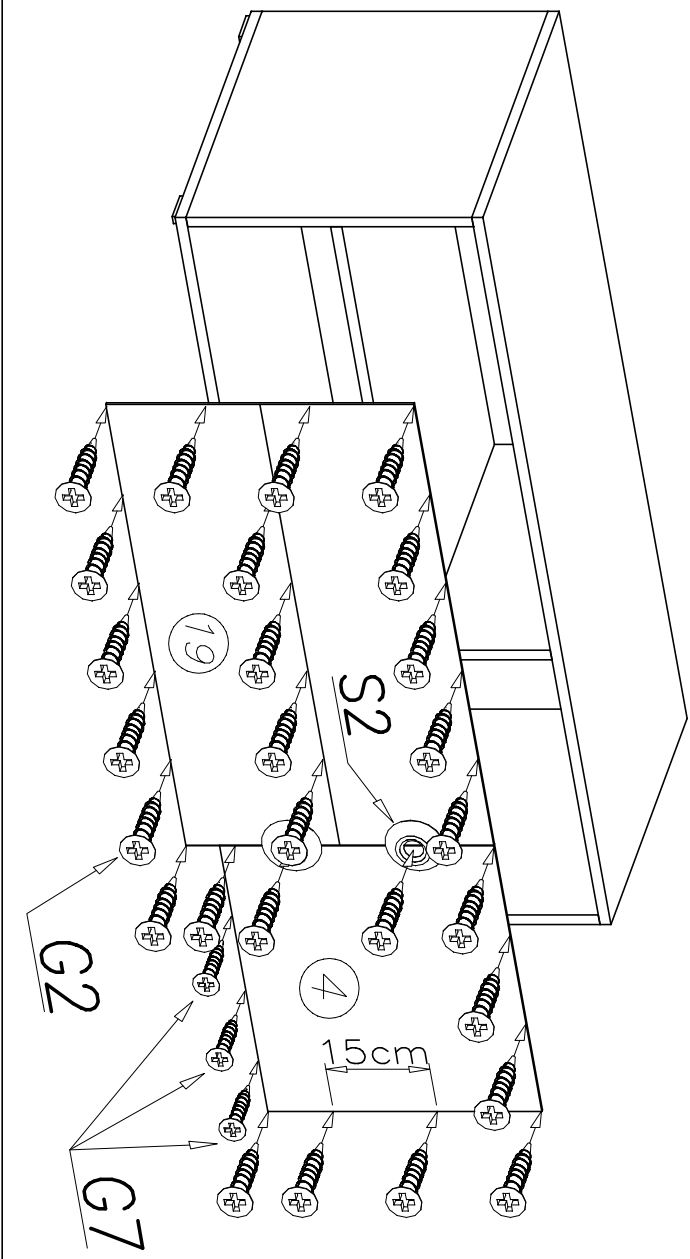


| | | | | |
|--------------------------------------------------------------------------------------------------------------|---------------------------------------------------------------------------------------------------------------|---------------------------------------------------------------------------------------------------------------------------------|----------------------------------------------------------------------------------------------------------------|----------------------------------------------------------------------------------------------------------------|
| G7  3x16 x3 | S2  x4 | W1  GLUE, LEIM, LEPIDLO, LIM x3 | G13  4x22 x4 | H8  400mm x1 |
| P3  x6 | G4  4x16 x22 | G2  3x20 x35 | E36  x2 | |
| A1  ø7x50 x15 | B7  ø8x30 x50 | W2  x1 | P7  x4 | G10  6x13 x4 |

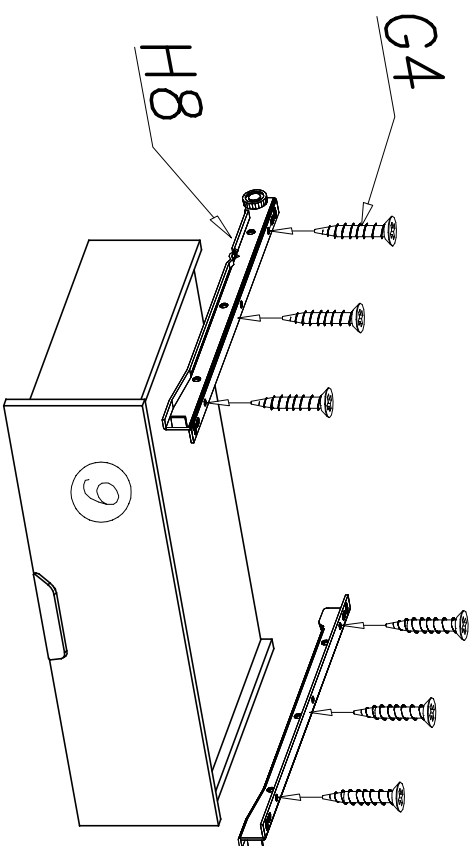
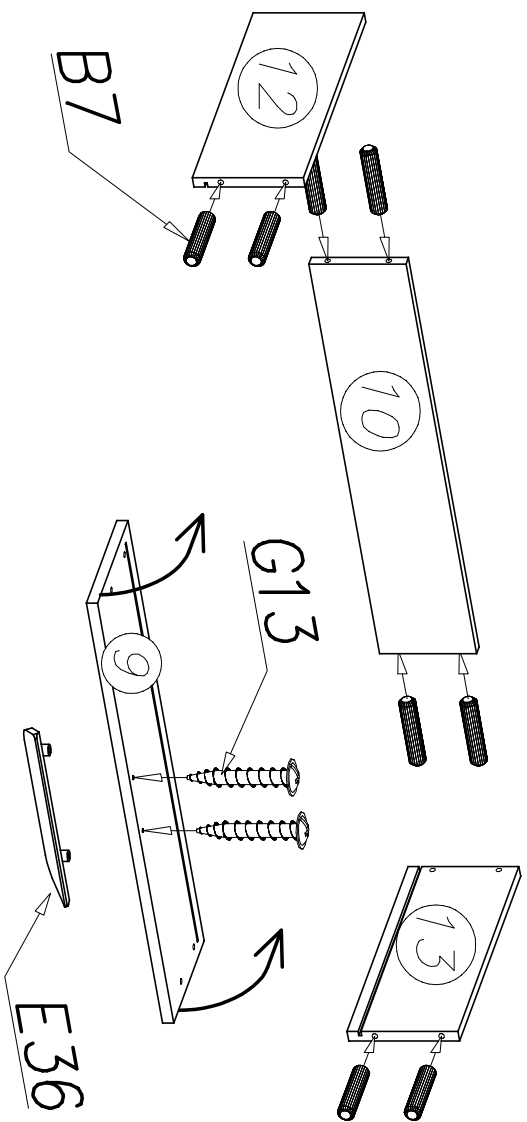
1



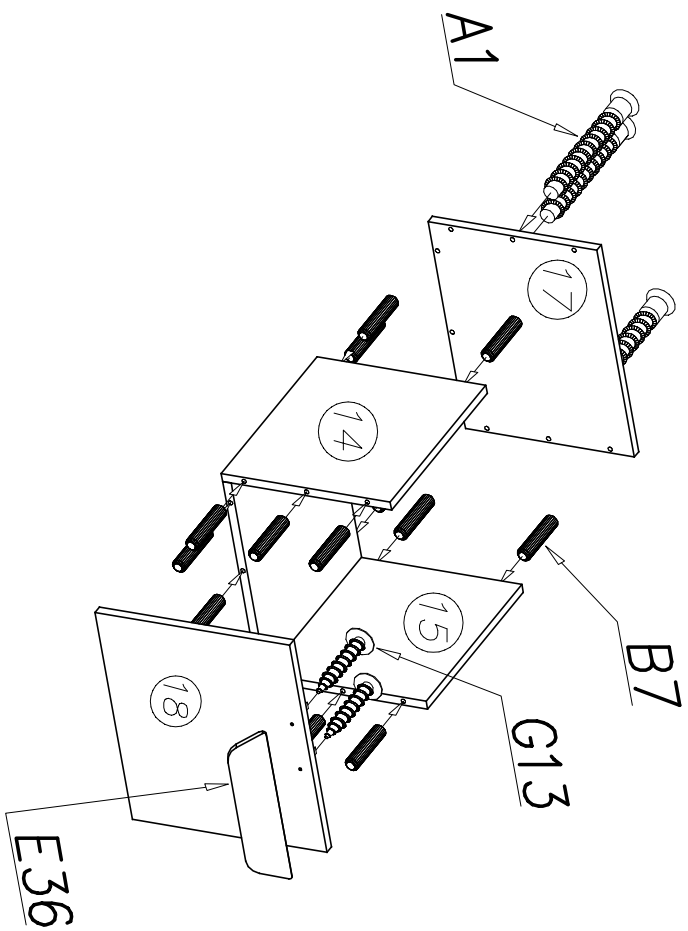
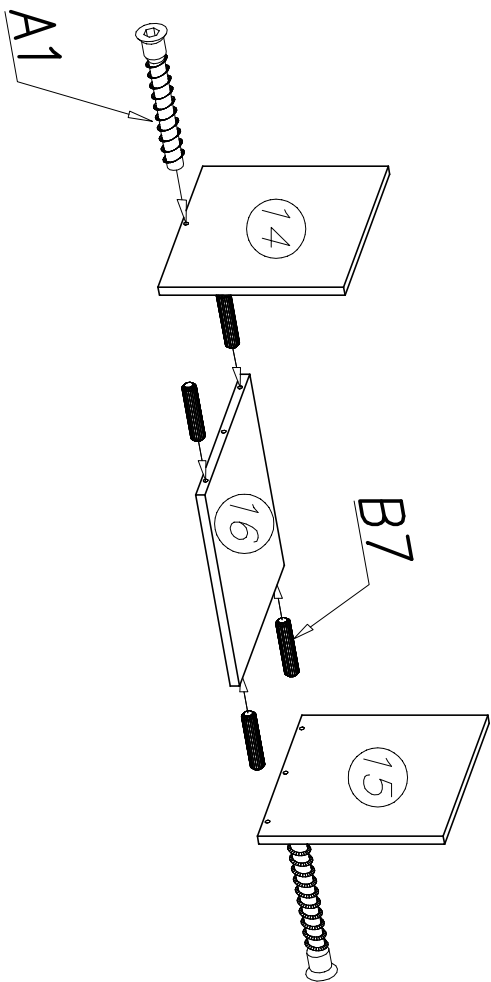
II



III



IV



V

