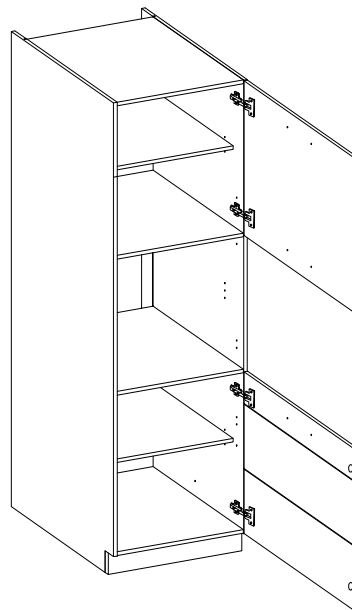
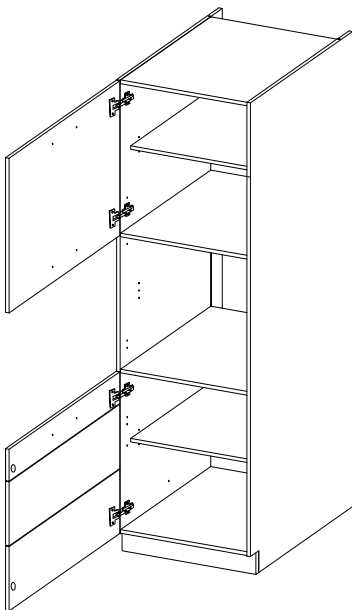
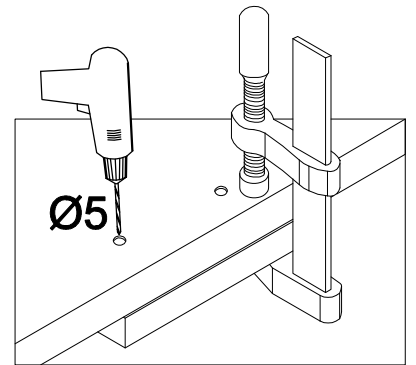
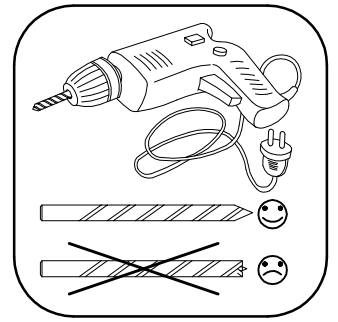
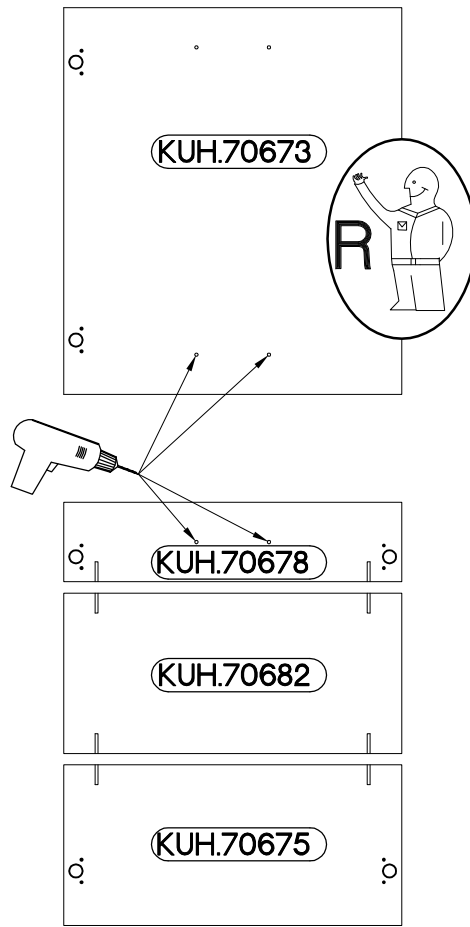
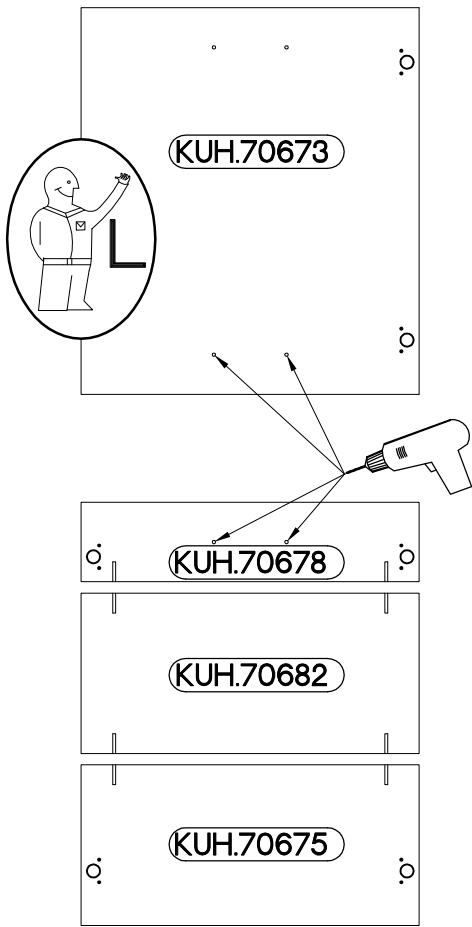
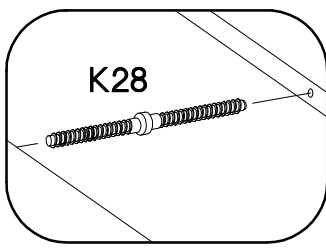
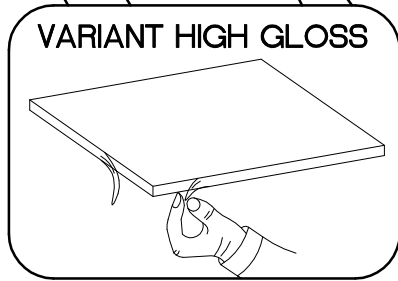
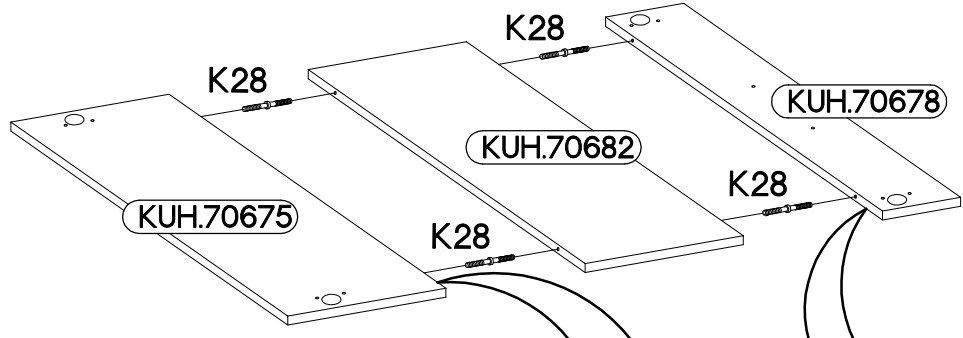
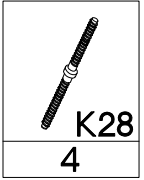


LEFT

RIGHT

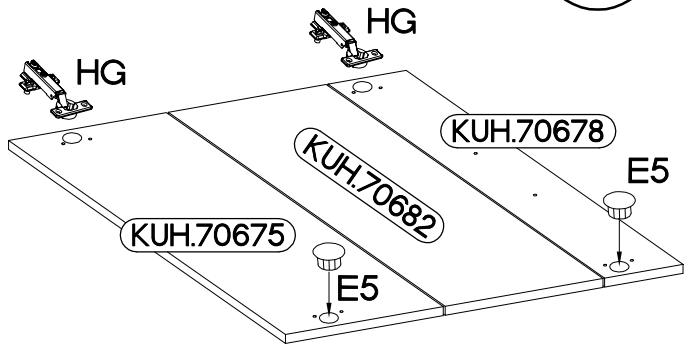
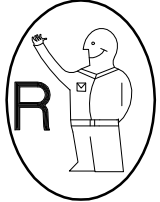
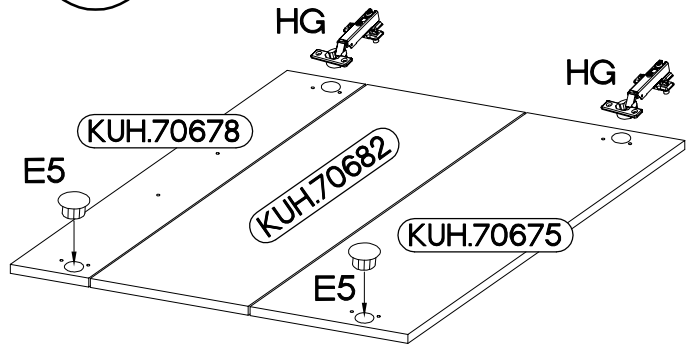
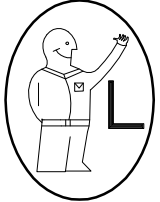
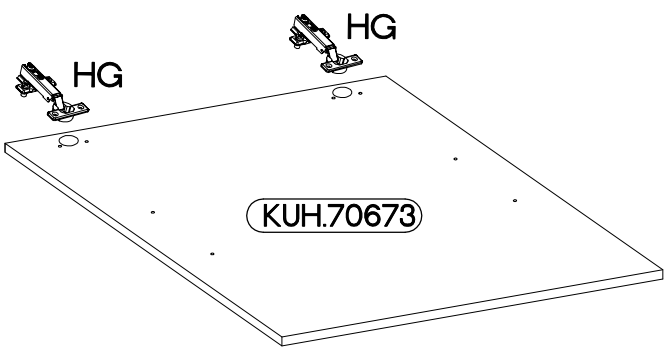
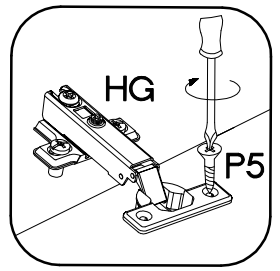


2



3

±35/0mm	±3.5x13mm	±35mm
HG	P5	E5
5	10	2



4

M4x22mm

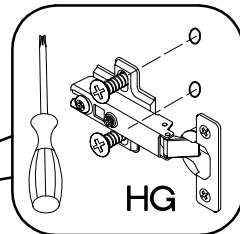


4

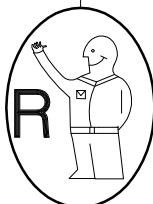


S23

2



HG



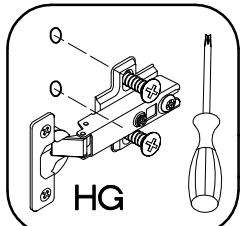
R

KUH.70673

KUH.70678

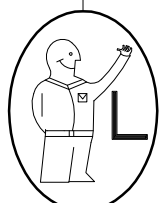
KUH.70682

KUH.70675



HG

KUH.70673

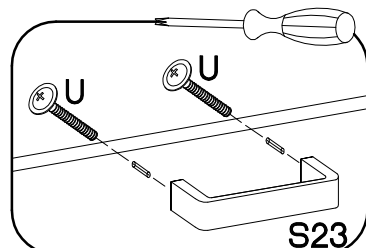


L

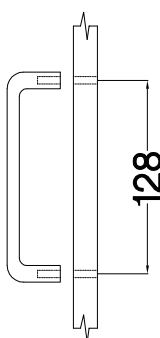
KUH.70678

KUH.70682

KUH.70675



S23



128

VARIANT HIGH GLOSS

