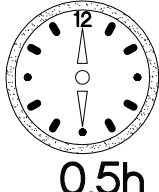
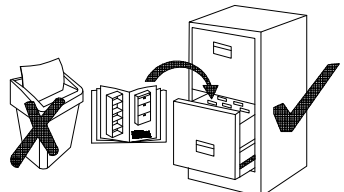
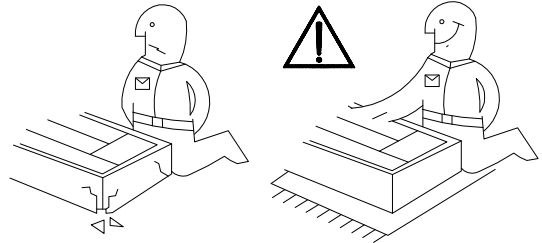
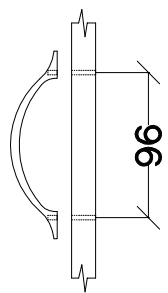
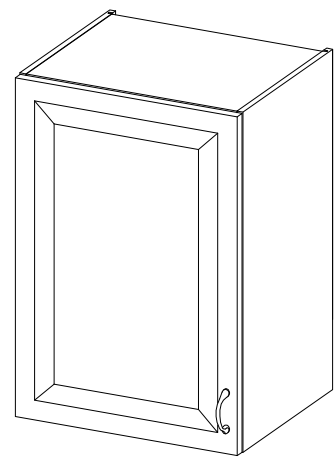
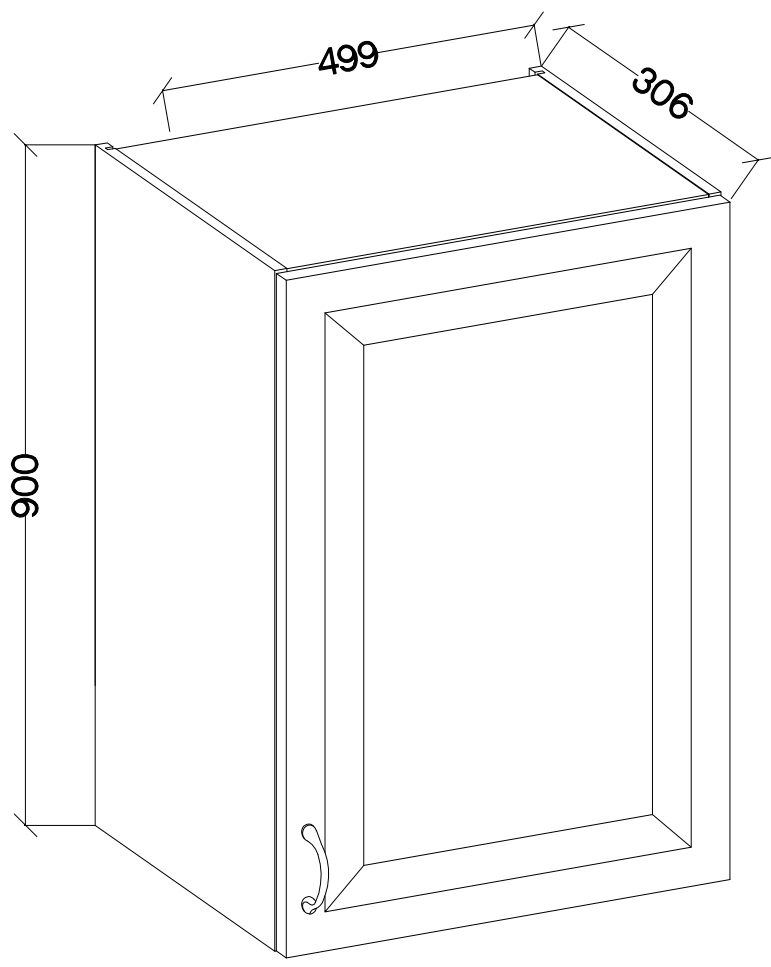
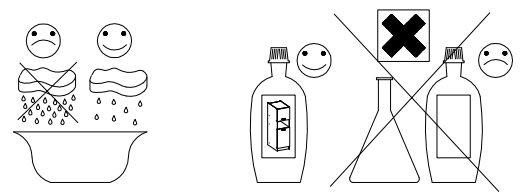




Ø5mm
Ø10mm



0.5h

60 G-90 1F
FRONT



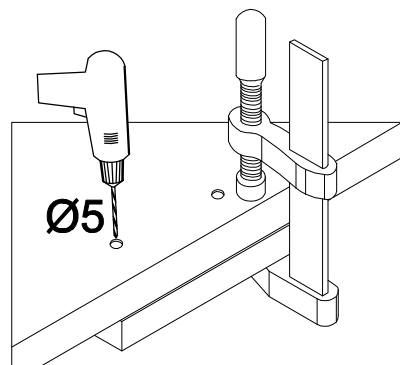
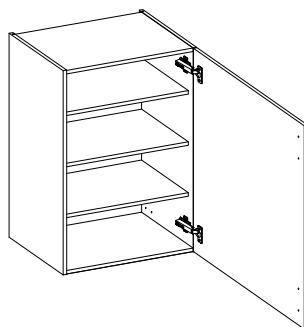
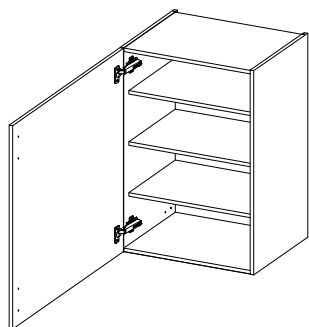
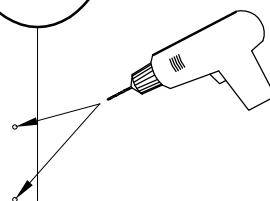
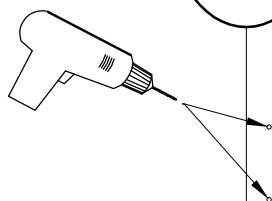
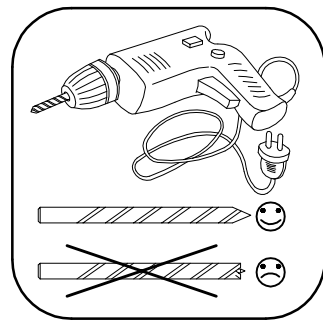
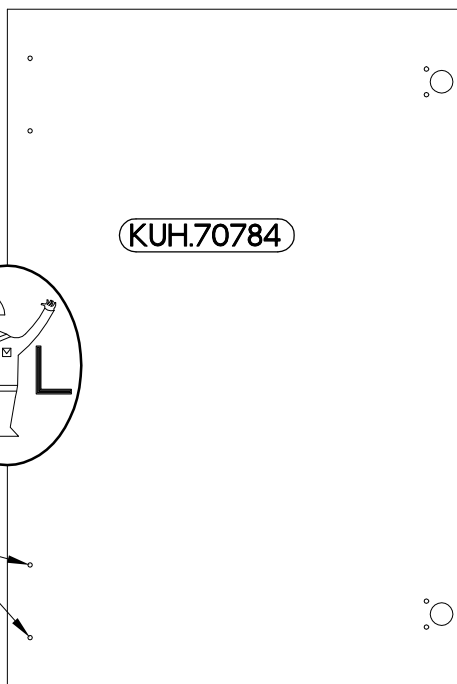
M4x22mm	
	
U	S
2	1

ISM-KUH-01195



1

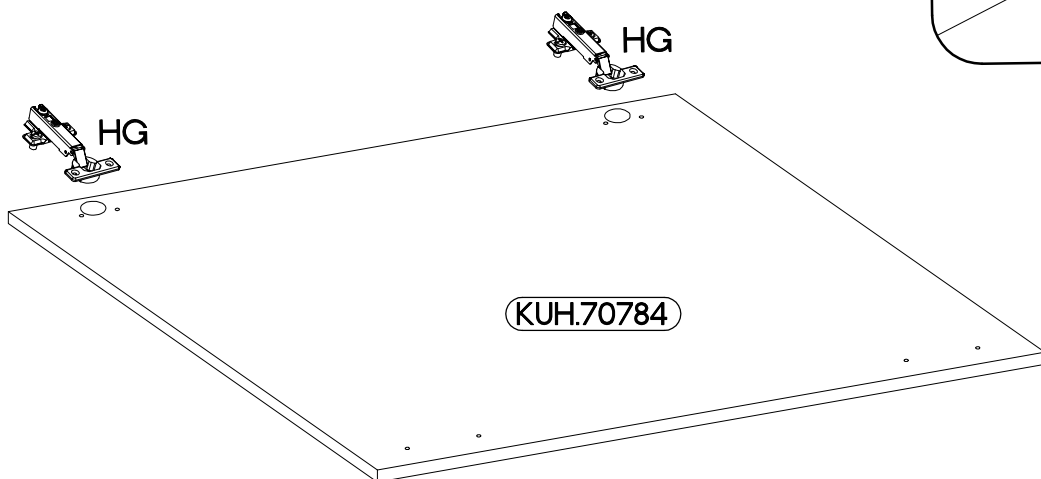
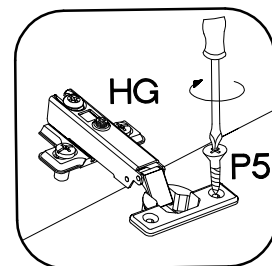
LEFT

RIGHT



2

	
†35/0mm	†3.5x13mm
HG	P5
2	4



M4x22mm



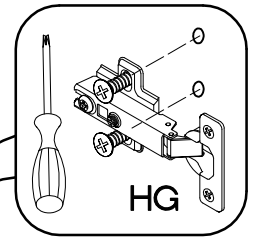
U

2

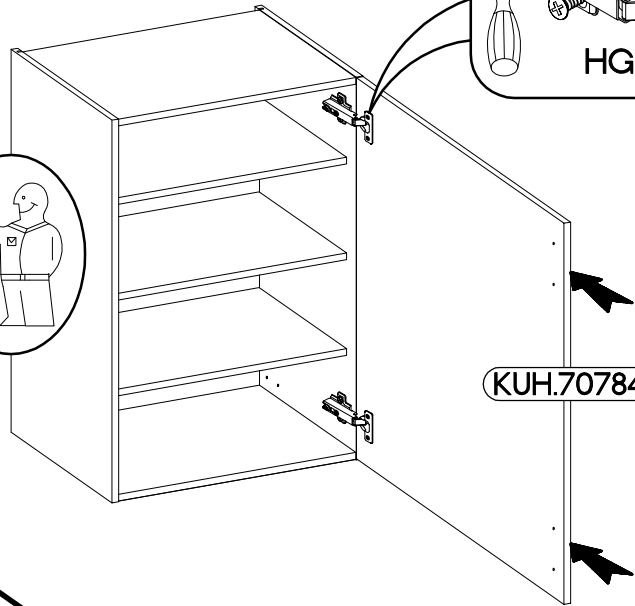
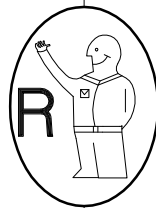


S

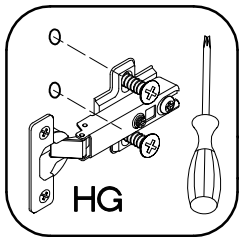
1



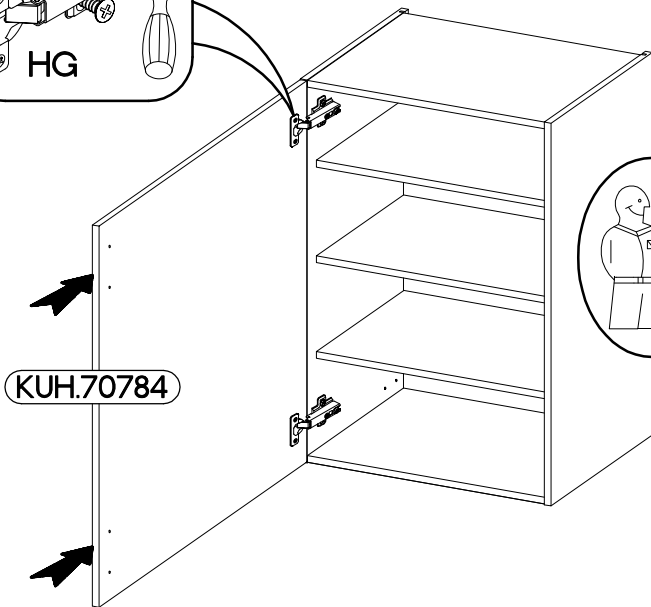
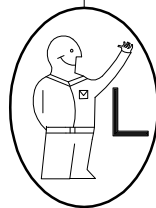
HG



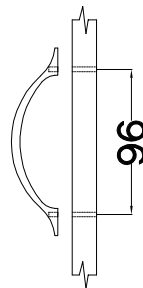
KUH.70784



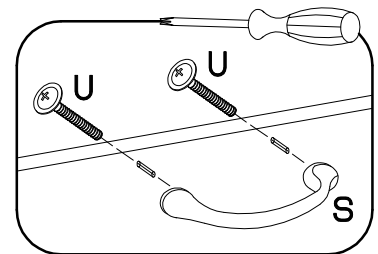
HG



KUH.70784

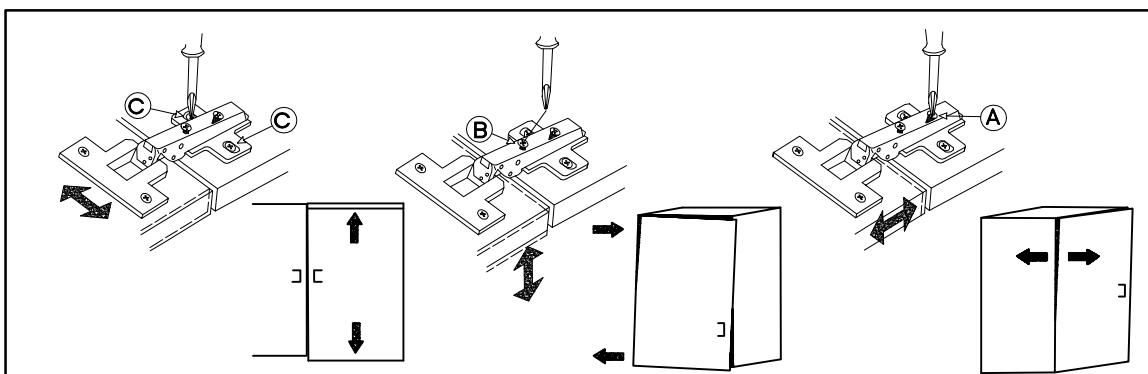


96



U

S



C

C

↑

↓

B

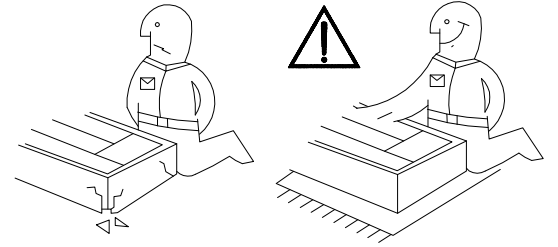
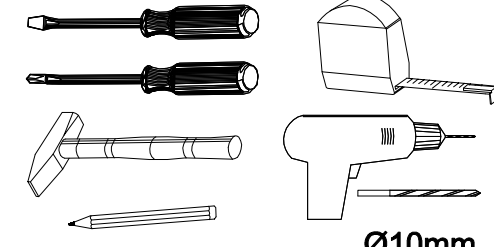
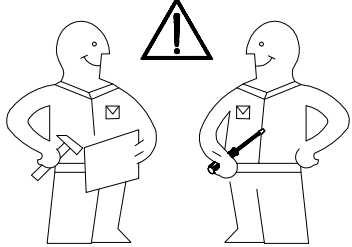
↔

A

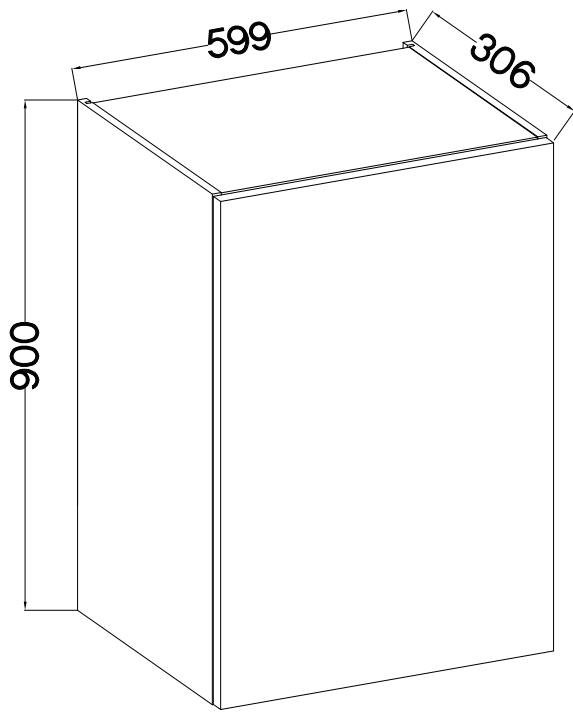
A

←

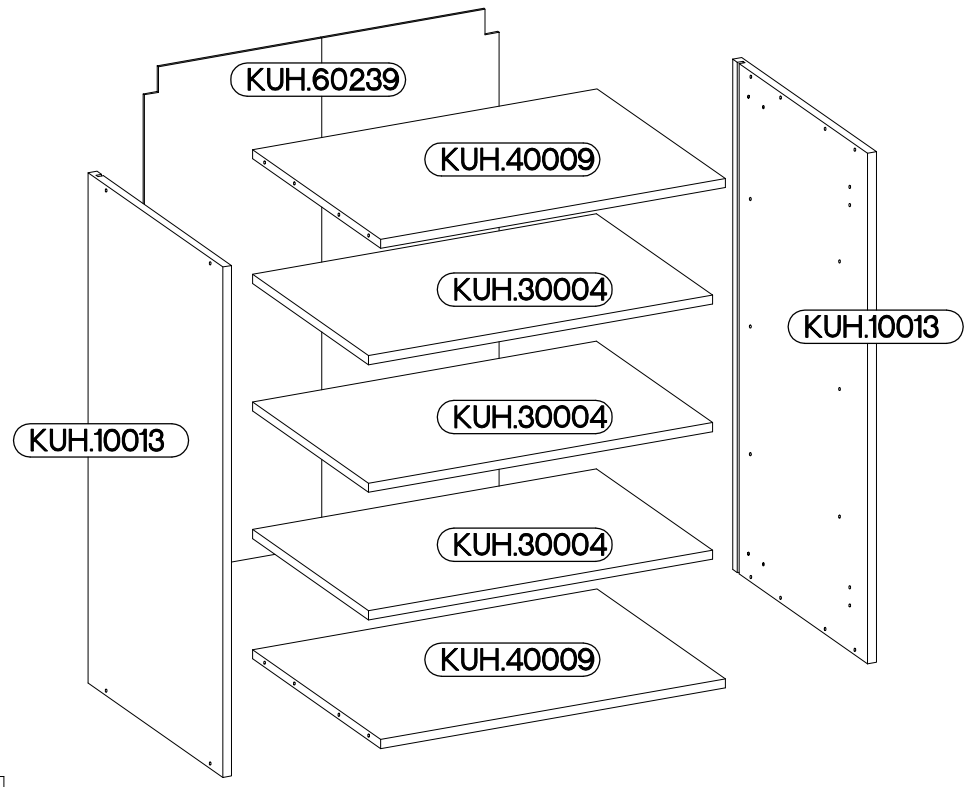
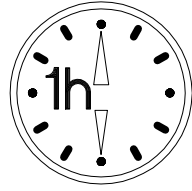
→



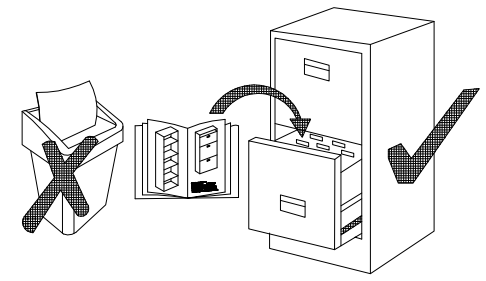
Ø10mm
60 G-90 1F



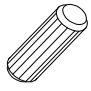
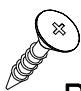
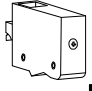
KUH.30004
KUH.40009

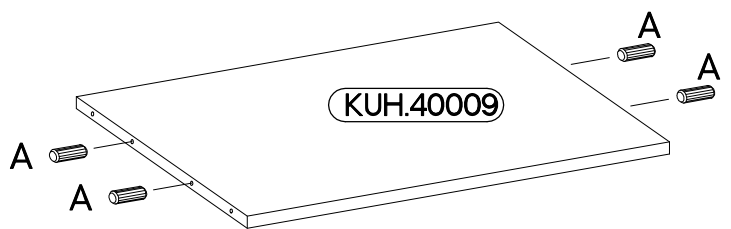
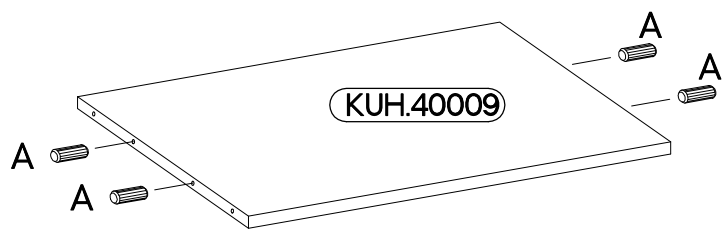
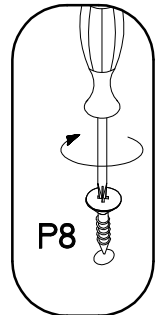
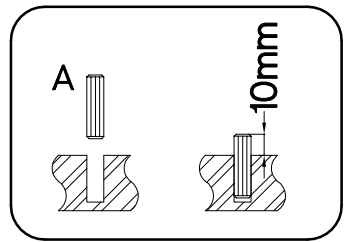
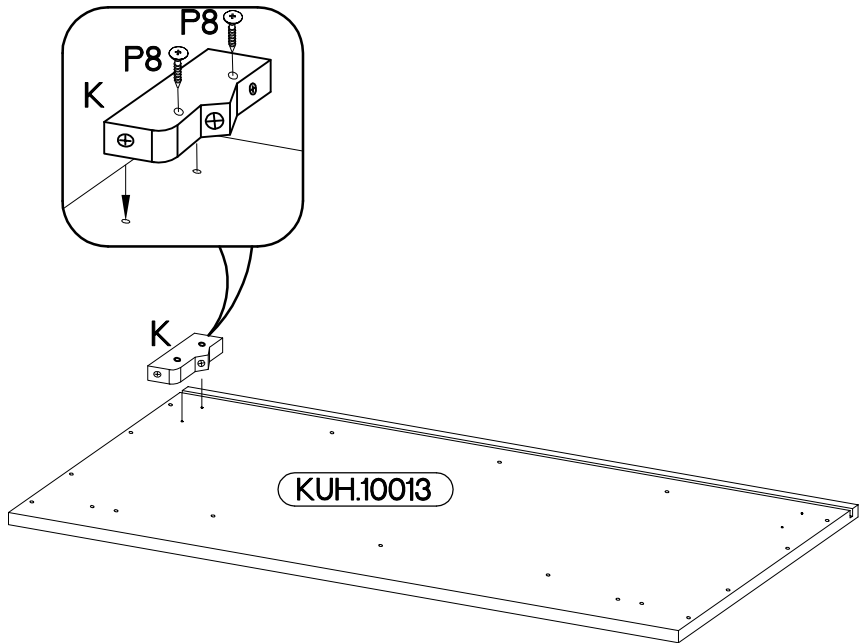
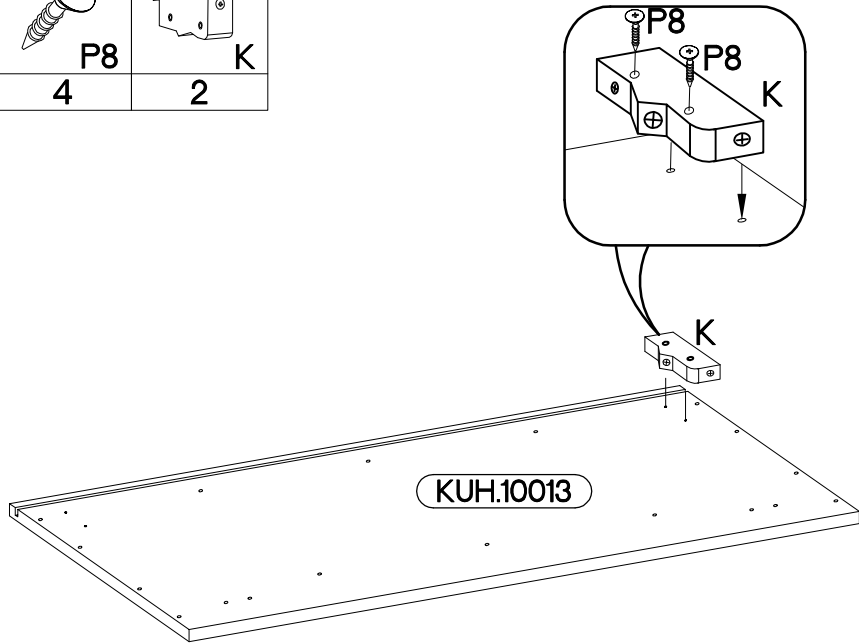
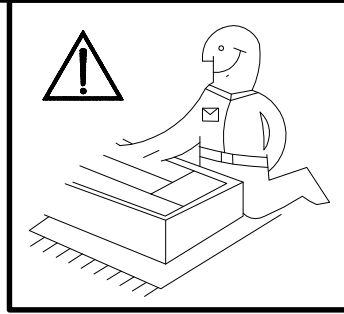


 8x30mm A 8	 6,4 x 50mm B 8	 E1 8	 HG 2	 3.5x13mm P5 4	 3.0x20mm P7 8-10	 4.0x30mm P8 4
 J 12	 K 2	 O 1				

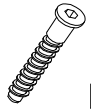
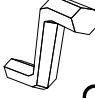



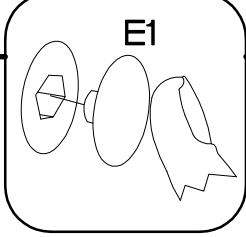
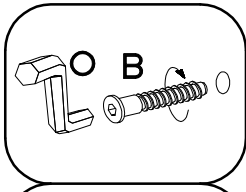
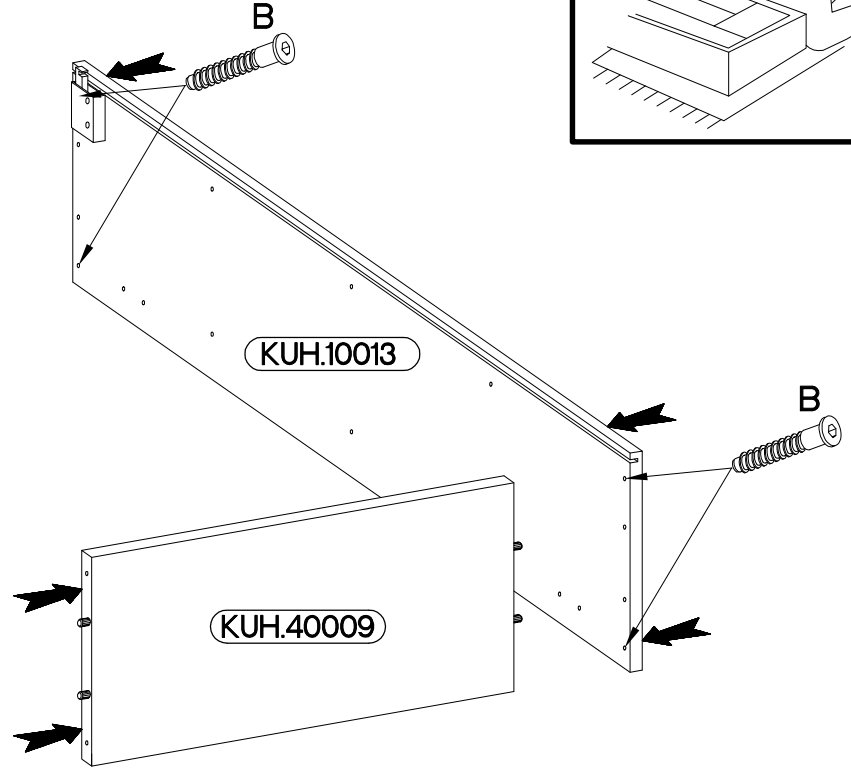
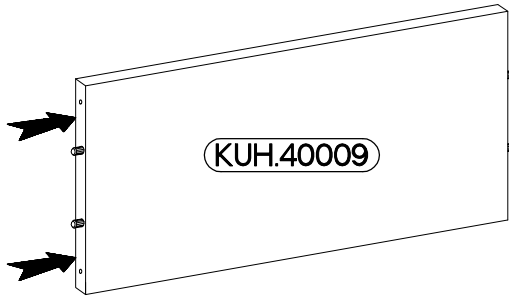
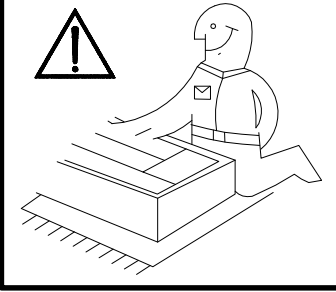
ISM-KUH-01130

 ø8x30mm A	 ø4.0x30mm P8	 K
8	4	2

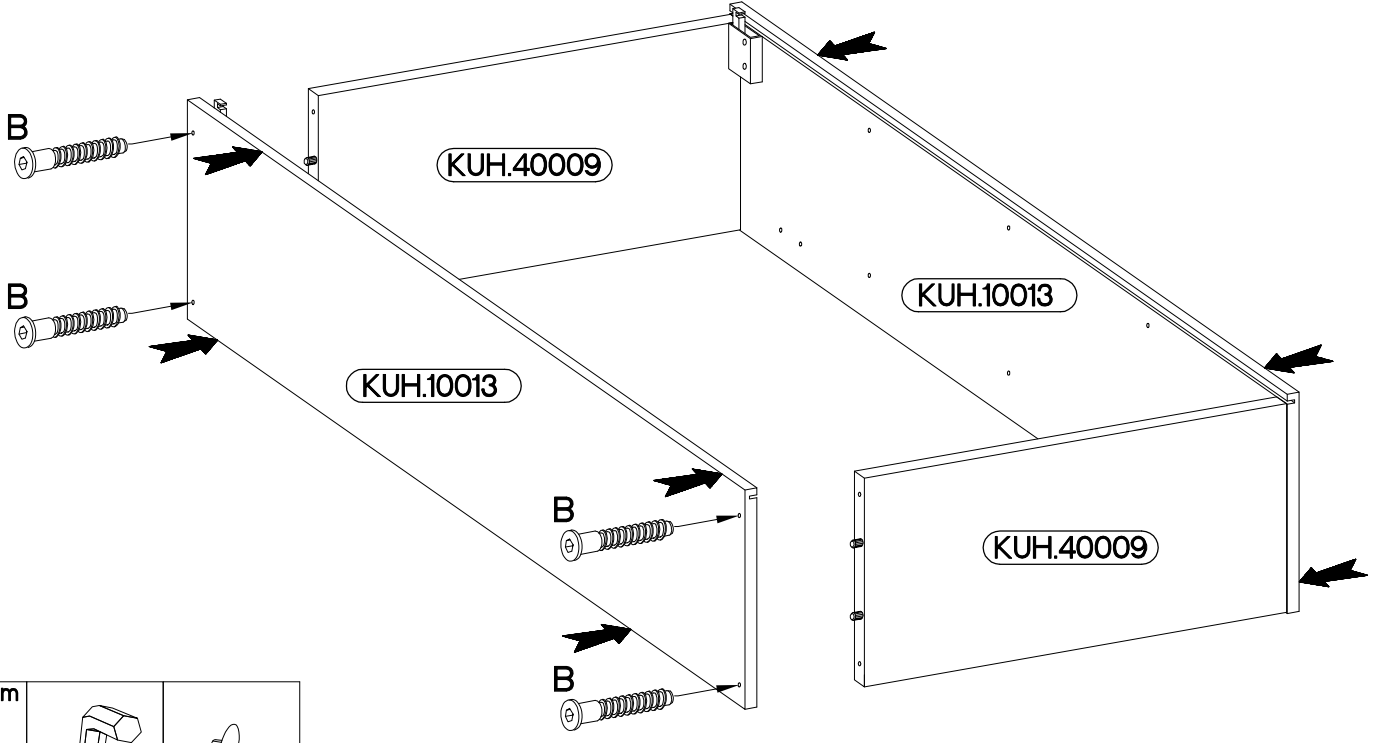



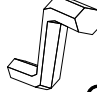

2

6,4 x 50mm		
		
B	O	E1
4	1	4

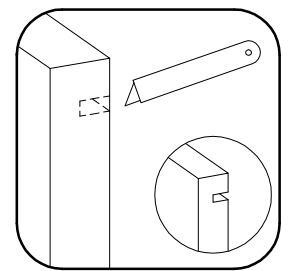
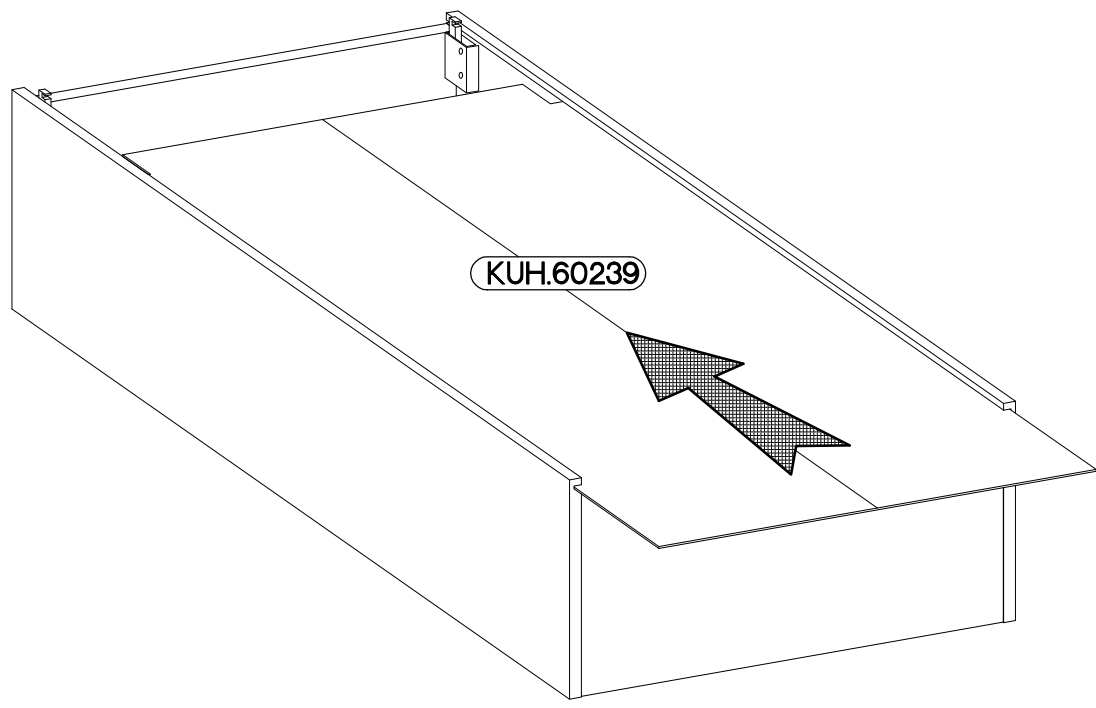
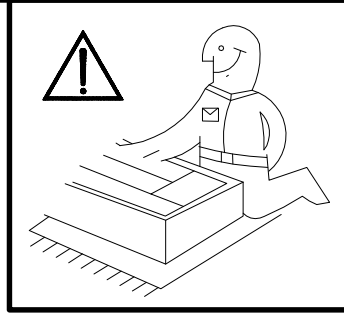


3

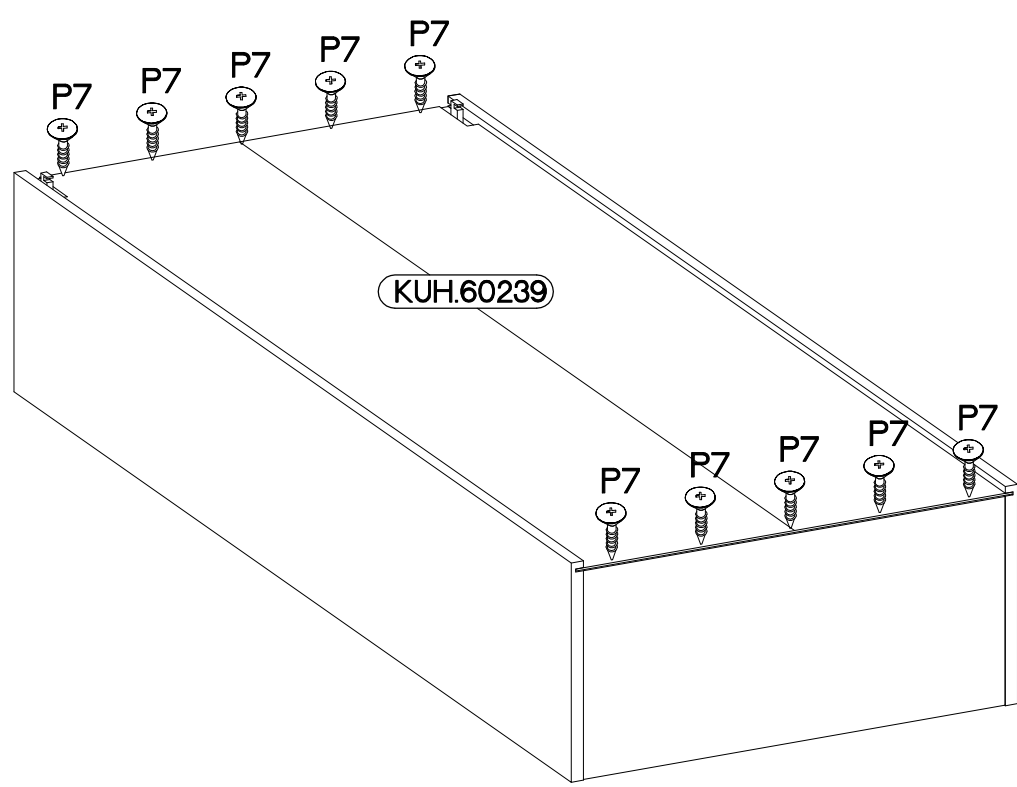
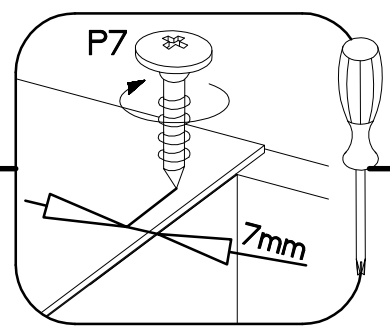
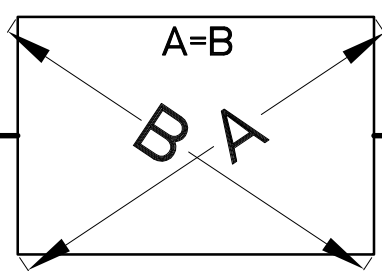
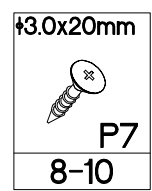


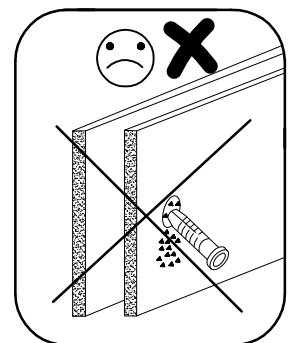
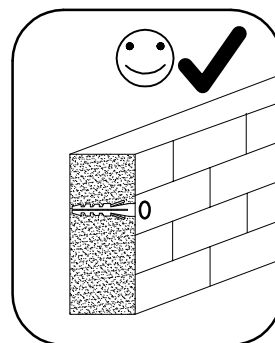
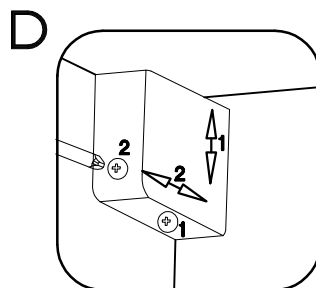
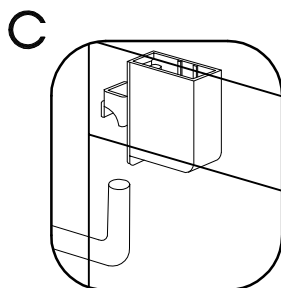
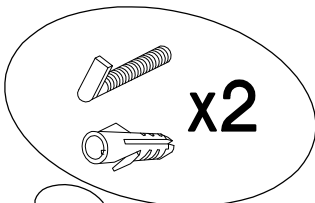
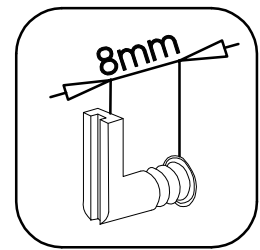
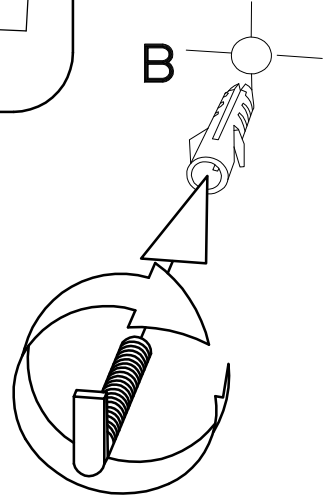
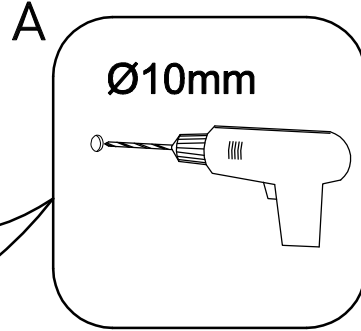
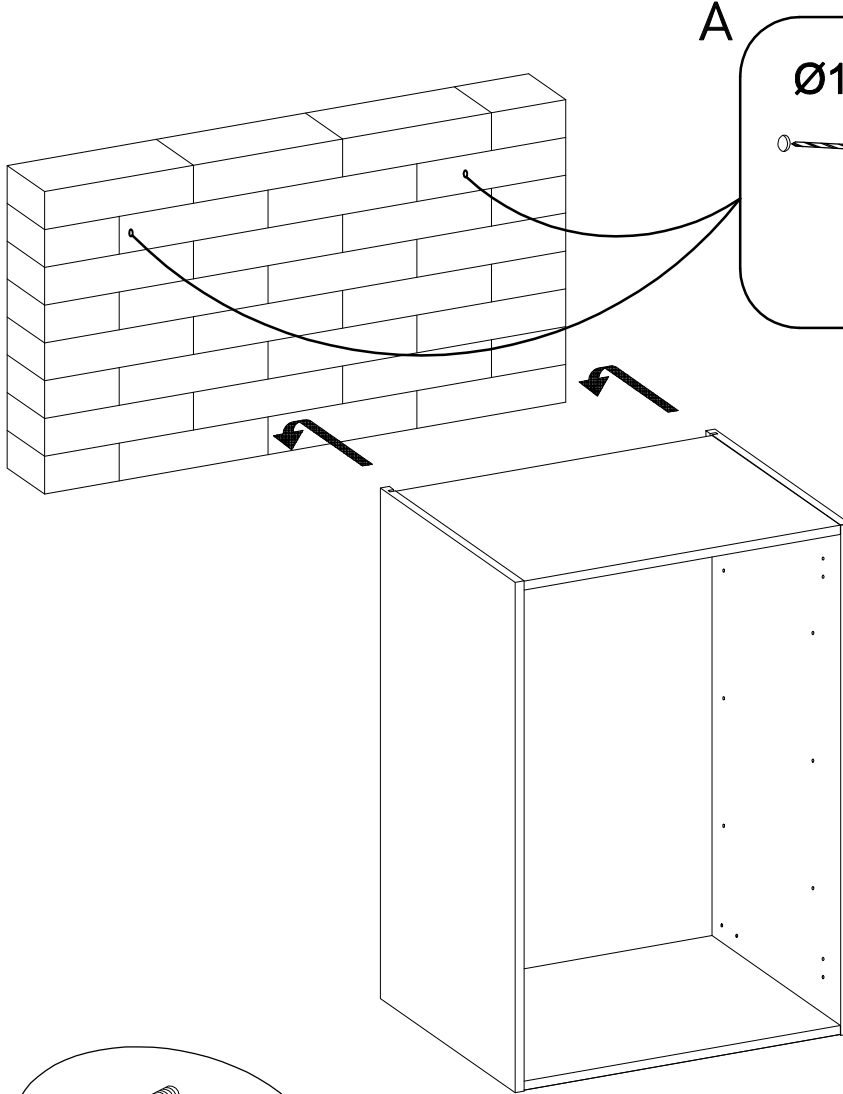
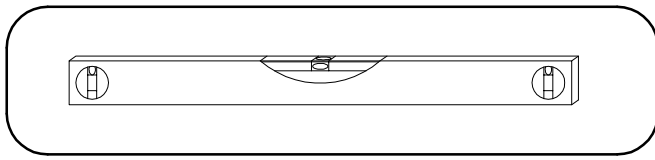
6,4 x 50mm		
		
B	O	E1
4	1	4

4



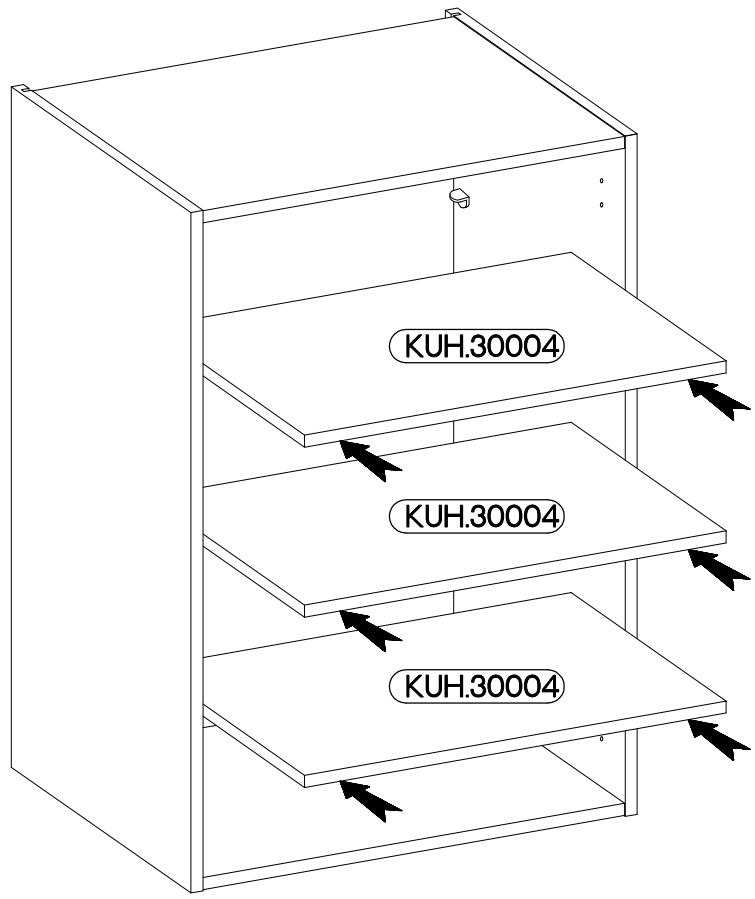
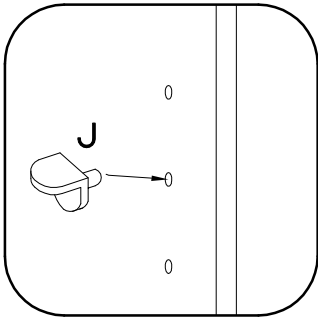
5





7

±5/19mm
J
12



8

FRONT

