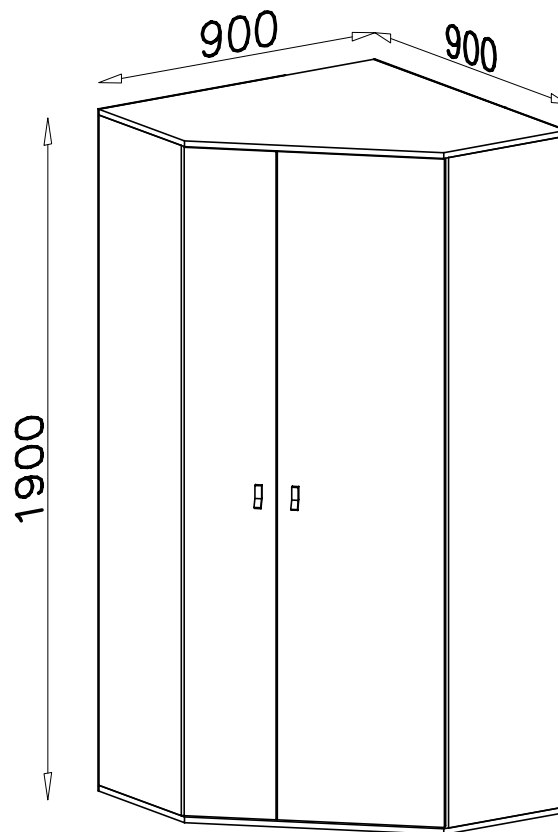
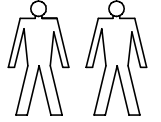
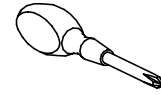
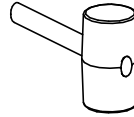
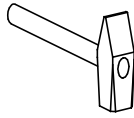
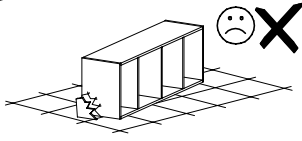
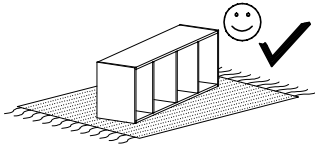

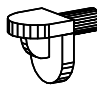

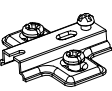
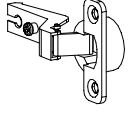
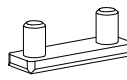



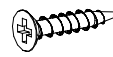

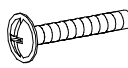

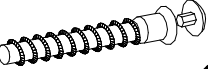

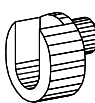
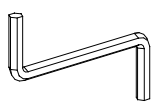

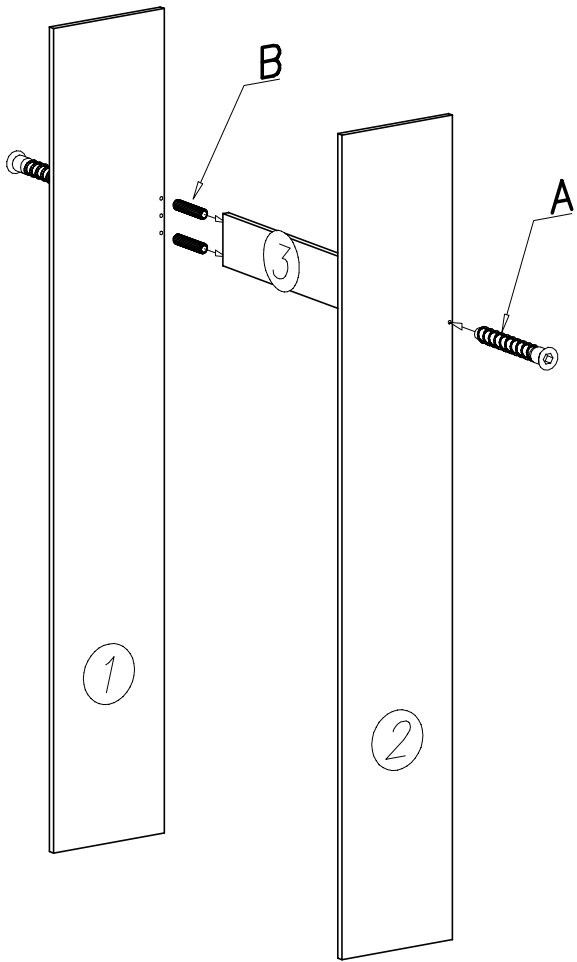


PLANET PL 2L/P

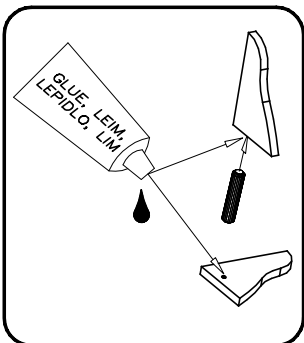
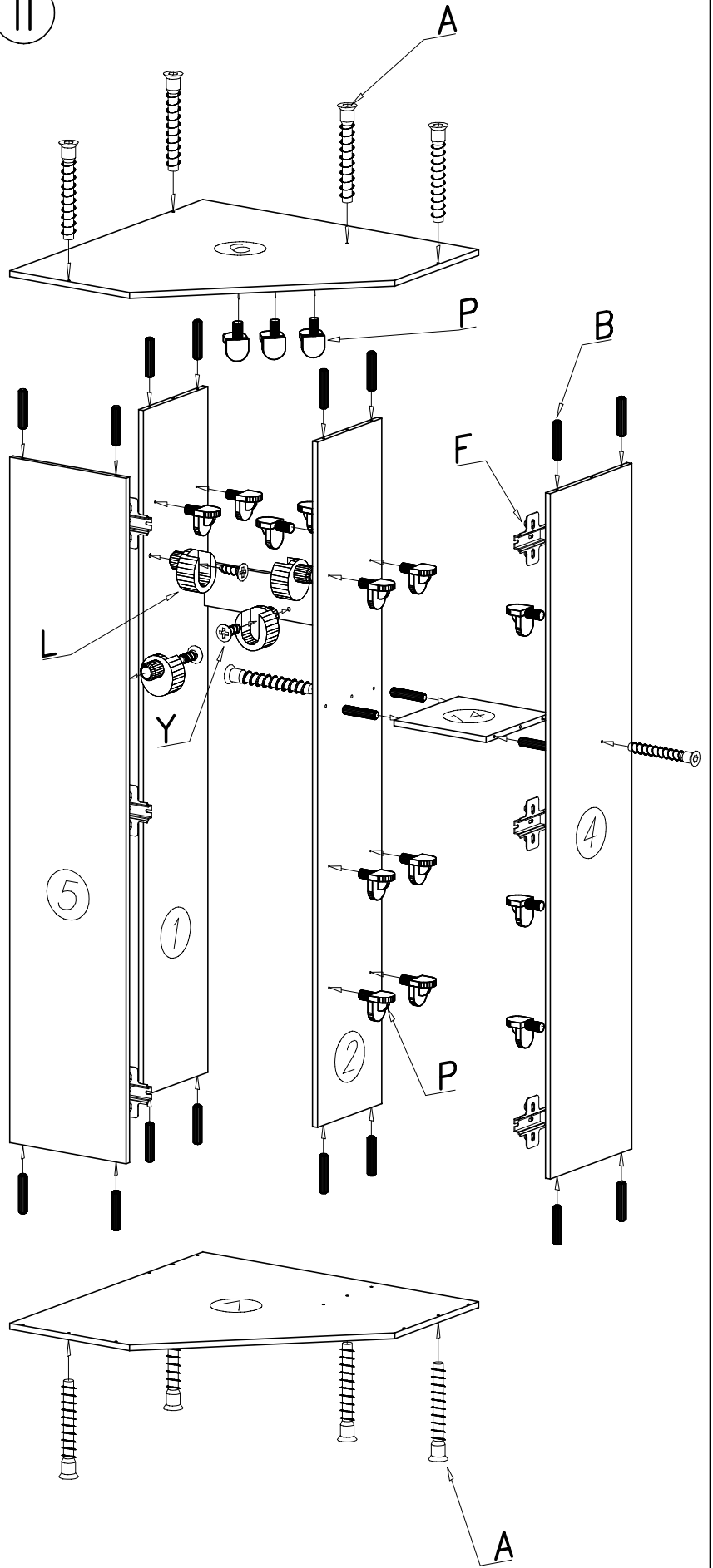


Y  3x13 x4	P  x19	X  3x16 x15		
F  x6	D  x6	G  x5	T  4x16 x12	C  x13
W  x2	E  3x20 x75	U  x2	N  M4x20 x4	J  578mm x1
A  x12	B  x24	L  x4	Z  x1	S  854mm x1

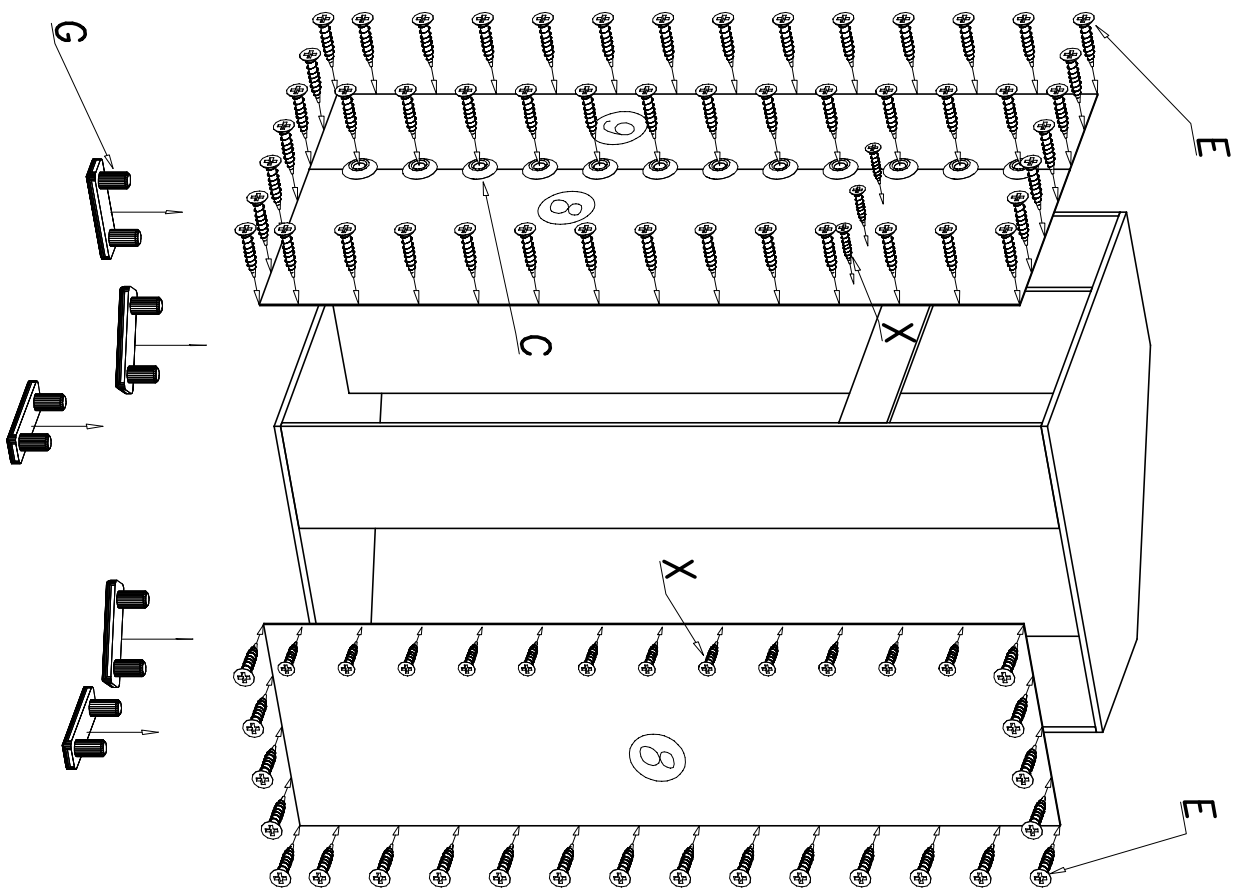
I



II



III



IV

