



EN

PT

ES

DE

FI

NL

IT

FR

EL


RU

PL

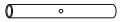
HU

SV


Components list / Lista de componentes / Contenido / Bauteillübersicht / Osaluettelo / Onderdelenlijst / Elenco componenti / Liste de pièces / ΛΙΣΤΑ ΕΞΑΡΤΗΜΑΤΩΝ / Спецификация деталей / Wykaz części / Tartozéklista / Komponentlista

A		Top Rail Corrimão Superior Riel supérieur Obere Schiene Υλακαίδη	Bovenste rail Guida superiore Rail supérieur ΕΠΑΝΩ ΡΑΓΑ Верхняя направляющая	Górna szyna Felső sín Övre skena
----------	--	--	--	--

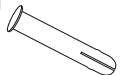
SIZE / TAMANHO / TAMAÑO / GRÖSSE / KOKO / GROOTTE / DIMENSIONI / DIMENSION / ΜΕΓΕΘΟΣ / РАЗМЕР / ROZMIAR / MÉRET / STORLEK	ITEM / ITEM N.º / Nº ELEMENTO / ARTIKEL-NR. / OSA NRO / ARTIKELNR. / ARTICOLO / ELEMENT / ANTIKEIMENO / № ИЗДЕЛИЯ / NR POZ. / CIKKSZ. / ARTIKEL	PART CODE / CÓDIGO DE PEÇA / CÓDIGO DE PIEZA / TEIL-CODE / OSAN KOODI / ONDERDEELCODE / CODICE / DEL COMPONENTE / CODE PIECE / ΚΩΔΙΚΟΣ ΤΜΗΜΑΤΟΣ / ΚΟΔ ΔΕΤΑΛΙ / ΚΟΔ ΖΕΪΣΙ / ALK. KÓDJA / DELKOD	QTY / QTDE / CANT. / MENGE / KPL / AANT. / QTÁ / QTE / ΠΟΣΟΤΗΤΑ / K-BO / ILOŠĆ / MENNY. / ANTAL
2.44 m x 51 cm (8' x 20")	56432	P61077ASS16	8

B		Vertical Pool Leg Perna Vertical da Piscina Sorte de piscina vertical Senkrechtes Poolbein Pystyjalka Verticale zwembadpoot Supporto verticale della piscina	Montant vertical de piscine ΚΑΤΑΚΟΡΥΦΟ ΠΟΔΙ ΠΙΣΙΝΑΣ Вертикальная ножка бассейна Pionowa nóżka basenu Függőleges medenceláb Vertikalt pool ben
----------	---	--	--

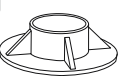
SIZE / TAMANHO / TAMAÑO / GRÖSSE / KOKO / GROOTTE / DIMENSIONI / DIMENSION / ΜΕΓΕΘΟΣ / РАЗМЕР / ROZMIAR / MÉRET / STORLEK	ITEM / ITEM N.º / Nº ELEMENTO / ARTIKEL-NR. / OSA NRO / ARTIKELNR. / ARTICOLO / ELEMENT / ANTIKEIMENO / № ИЗДЕЛИЯ / NR POZ. / CIKKSZ. / ARTIKEL	PART CODE / CÓDIGO DE PEÇA / CÓDIGO DE PIEZA / TEIL-CODE / OSAN KOODI / ONDERDEELCODE / CODICE / DEL COMPONENTE / CODE PIECE / ΚΩΔΙΚΟΣ ΤΜΗΜΑΤΟΣ / ΚΟΔ ΔΕΤΑΛΙ / ΚΟΔ ΖΕΪΣΙ / ALK. KÓDJA / DELKOD	QTY / QTDE / CANT. / MENGE / KPL / AANT. / QTÁ / QTE / ΠΟΣΟΤΗΤΑ / K-BO / ILOŠĆ / MENNY. / ANTAL
2.44 m x 51 cm (8' x 20")	56432	P61078ASS16	8

C		T-connector Conector T Conector en T T-Verbinder T-liitin	T-stuk Connettore a "T" Raccord en T ΣΥΝΔΕΣΜΟΣ Τ T-образный соединитель	Łącznik typu T „T” csatlakozó T-anslutning
----------	--	---	---	--

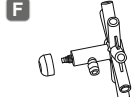

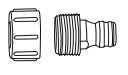
SIZE / TAMANHO / TAMAÑO / GRÖSSE / KOKO / GROOTTE / DIMENSIONI / DIMENSION / ΜΕΓΕΘΟΣ / РАЗМЕР / ROZMIAR / MÉRET / STORLEK	ITEM / ITEM N.º / Nº ELEMENTO / ARTIKEL-NR. / OSA NRO / ARTIKELNR. / ARTICOLO / ELEMENT / ANTIKEIMENO / № ИЗДЕЛИЯ / NR POZ. / CIKKSZ. / ARTIKEL	PART CODE / CÓDIGO DE PEÇA / CÓDIGO DE PIEZA / TEIL-CODE / OSAN KOODI / ONDERDEELCODE / CODICE / DEL COMPONENTE / CODE PIECE / ΚΩΔΙΚΟΣ ΤΜΗΜΑΤΟΣ / ΚΟΔ ΔΕΤΑΛΙ / ΚΟΔ ΖΕΪΣΙ / ALK. KÓDJA / DELKOD	QTY / QTDE / CANT. / MENGE / KPL / AANT. / QTÁ / QTE / ΠΟΣΟΤΗΤΑ / K-BO / ILOŠĆ / MENNY. / ANTAL
2.44 m x 51 cm (8' x 20")	56432	P6994ASS16	8

D		Pin Pino Patilla Bolzen Nasta	Pen Spinotto Cheville ΠΕΡΟΝΗ Штырь	Kölek Csap Stift
----------	---	---	--	------------------------


SIZE / TAMANHO / TAMAÑO / GRÖSSE / KOKO / GROOTTE / DIMENSIONI / DIMENSION / ΜΕΓΕΘΟΣ / РАЗМЕР / ROZMIAR / MÉRET / STORLEK	ITEM / ITEM N.º / Nº ELEMENTO / ARTIKEL-NR. / OSA NRO / ARTIKELNR. / ARTICOLO / ELEMENT / ANTIKEIMENO / № ИЗДЕЛИЯ / NR POZ. / CIKKSZ. / ARTIKEL	PART CODE / CÓDIGO DE PEÇA / CÓDIGO DE PIEZA / TEIL-CODE / OSAN KOODI / ONDERDEELCODE / CODICE / DEL COMPONENTE / CODE PIECE / ΚΩΔΙΚΟΣ ΤΜΗΜΑΤΟΣ / ΚΟΔ ΔΕΤΑΛΙ / ΚΟΔ ΖΕΪΣΙ / ALK. KÓDJA / DELKOD	QTY / QTDE / CANT. / MENGE / KPL / AANT. / QTÁ / QTE / ΠΟΣΟΤΗΤΑ / K-BO / ILOŠĆ / MENNY. / ANTAL
2.44 m x 51 cm (8' x 20")	56432	P61020ASS16	18

E		Footing Rodapé Punto de apoyo Standfuß Jalka	Voet Piede Embout ΒΑΣΗ ΠΟΔΙΟΥ Οπόπα	Podstawa Lábazat Fotfäste
----------	---	--	---	---------------------------------

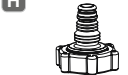
SIZE / TAMANHO / TAMAÑO / GRÖSSE / KOKO / GROOTTE / DIMENSIONI / DIMENSION / ΜΕΓΕΘΟΣ / РАЗМЕР / ROZMIAR / MÉRET / STORLEK	ITEM / ITEM N.º / Nº ELEMENTO / ARTIKEL-NR. / OSA NRO / ARTIKELNR. / ARTICOLO / ELEMENT / ANTIKEIMENO / № ИЗДЕЛИЯ / NR POZ. / CIKKSZ. / ARTIKEL	PART CODE / CÓDIGO DE PEÇA / CÓDIGO DE PIEZA / TEIL-CODE / OSAN KOODI / ONDERDEELCODE / CODICE / DEL COMPONENTE / CODE PIECE / ΚΩΔΙΚΟΣ ΤΜΗΜΑΤΟΣ / ΚΟΔ ΔΕΤΑΛΙ / ΚΟΔ ΖΕΪΣΙ / ALK. KÓDJA / DELKOD	QTY / QTDE / CANT. / MENGE / KPL / AANT. / QTÁ / QTE / ΠΟΣΟΤΗΤΑ / K-BO / ILOŠĆ / MENNY. / ANTAL
2.44 m x 51 cm (8' x 20")	56432	P6996ASS16	8

F		M		N	
Sprayer + Hose + Adaptor Sprayer + Tubo + Adaptador Pulverizador + Manguera + Adaptador Sprüher + Schlauch + Adapter Ruisuku + Letku + Sovitin	Sproeier + Slang + Adaptor Spruzzatore + Manichetta + Adattatore Gicleur + Tuyau + Adaptateur ΣΥΝΤΡΙΒΑΝΙ + ΣΩΛΗΝΑΣ + ΠΡΟΣΑΡΜΟΓΕΑΣ	Разбрызгиватель + Шланг + Переходник Spryskiwač + Wąż + Złącze Spriccelöt + Tömöló + Csatlakoztató Sprejaren + Slang + Adaptor			

SIZE / TAMANHO / TAMAÑO / GRÖSSE / KOKO / GROOTTE / DIMENSIONI / DIMENSION / ΜΕΓΕΘΟΣ / РАЗМЕР / ROZMIAR / MÉRET / STORLEK	ITEM / ITEM N.º / Nº ELEMENTO / ARTIKEL-NR. / OSA NRO / ARTIKELNR. / ARTICOLO / ELEMENT / ANTIKEIMENO / № ИЗДЕЛИЯ / NR POZ. / CIKKSZ. / ARTIKEL	PART CODE / CÓDIGO DE PEÇA / CÓDIGO DE PIEZA / TEIL-CODE / OSAN KOODI / ONDERDEELCODE / CODICE / DEL COMPONENTE / CODE PIECE / ΚΩΔΙΚΟΣ ΤΜΗΜΑΤΟΣ / ΚΟΔ ΔΕΤΑΛΙ / ΚΟΔ ΖΕΪΣΙ / ALK. KÓDJA / DELKOD	QTY / QTDE / CANT. / MENGE / KPL / AANT. / QTÁ / QTE / ΠΟΣΟΤΗΤΑ / K-BO / ILOŠĆ / MENNY. / ANTAL
2.44 m x 51 cm (8' x 20")	56432	P61619ASS17	1

G		Drain Valve Cap Tampa da Válvula de Drenagem Tapón de la válvula de drenaje Ablassventilkappe Tyhjennysventiilin korkki Afvoerklepdpop Tappo valvola di scarico	Bouchon de la vanne de vidange ΚΑΠΑΚΙ ΒΑΛΒΙΔΑΣ ΑΠΟΣΤΡΑΓΓΙΣΗΣ Крышка сливного клапана Nakrętka zaworu spusutowego Vízleeresztő szetep sapkája Tömningsventil lock
----------	---	---	---

SIZE / TAMANHO / TAMAÑO / GRÖSSE / KOKO / GROOTTE / DIMENSIONI / DIMENSION / ΜΕΓΕΘΟΣ / РАЗМЕР / ROZMIAR / MÉRET / STORLEK	ITEM / ITEM N.º / Nº ELEMENTO / ARTIKEL-NR. / OSA NRO / ARTIKELNR. / ARTICOLO / ELEMENT / ANTIKEIMENO / № ИЗДЕЛИЯ / NR POZ. / CIKKSZ. / ARTIKEL	PART CODE / CÓDIGO DE PEÇA / CÓDIGO DE PIEZA / TEIL-CODE / OSAN KOODI / ONDERDEELCODE / CODICE / DEL COMPONENTE / CODE PIECE / ΚΩΔΙΚΟΣ ΤΜΗΜΑΤΟΣ / ΚΟΔ ΔΕΤΑΛΙ / ΚΟΔ ΖΕΪΣΙ / ALK. KÓDJA / DELKOD	QTY / QTDE / CANT. / MENGE / KPL / AANT. / QTÁ / QTE / ΠΟΣΟΤΗΤΑ / K-BO / ILOŠĆ / MENNY. / ANTAL
2.44 m x 51 cm (8' x 20")	56432	P6H1158ASS16	1

H		Hose Adaptor Adaptador de Mangueira Adaptador de tubo Schlauchadapter Letkun sovitin	Slangadaptor Adattatore tubo Adaptateur pour tuyau ΠΡΟΣΑΡΜΟΓΕΑΣ ΓΙΑ ΕΥΚΑΜΠΤΟ ΣΩΛΗΝΑ	Переходник шланга Adaptor weża Tömlőadapter Slangadaptor
----------	--	--	--	---


SIZE / TAMANHO / TAMAÑO / GRÖSSE / KOKO / GROOTTE / DIMENSIONI / DIMENSION / ΜΕΓΕΘΟΣ / РАЗМЕР / ROZMIAR / MÉRET / STORLEK	ITEM / ITEM N.º / Nº ELEMENTO / ARTIKEL-NR. / OSA NRO / ARTIKELNR. / ARTICOLO / ELEMENT / ANTIKEIMENO / № ИЗДЕЛИЯ / NR POZ. / CIKKSZ. / ARTIKEL	PART CODE / CÓDIGO DE PEÇA / CÓDIGO DE PIEZA / TEIL-CODE / OSAN KOODI / ONDERDEELCODE / CODICE / DEL COMPONENTE / CODE PIECE / ΚΩΔΙΚΟΣ ΤΜΗΜΑΤΟΣ / ΚΟΔ ΔΕΤΑΛΙ / ΚΟΔ ΖΕΪΣΙ / ALK. KÓDJA / DELKOD	QTY / QTDE / CANT. / MENGE / KPL / AANT. / QTÁ / QTE / ΠΟΣΟΤΗΤΑ / K-BO / ILOŠĆ / MENNY. / ANTAL
2.44 m x 51 cm (8' x 20")	56432	P6H1419ASS16	1

I		Stopper Tampão Tope Verschlussstopfen Sulkutulppa	Stop Tappo Bouchon ΤΑΠΑ Заргушка	Körek Zárósapká Propp
----------	---	---	--	-----------------------------


SIZE / TAMANHO / TAMAÑO / GRÖSSE / KOKO / GROOTTE / DIMENSIONI / DIMENSION / ΜΕΓΕΘΟΣ / РАЗМЕР / ROZMIAR / MÉRET / STORLEK	ITEM / ITEM N.º / Nº ELEMENTO / ARTIKEL-NR. / OSA NRO / ARTIKELNR. / ARTICOLO / ELEMENT / ANTIKEIMENO / № ИЗДЕЛИЯ / NR POZ. / CIKKSZ. / ARTIKEL	PART CODE / CÓDIGO DE PEÇA / CÓDIGO DE PIEZA / TEIL-CODE / OSAN KOODI / ONDERDEELCODE / CODICE / DEL COMPONENTE / CODE PIECE / ΚΩΔΙΚΟΣ ΤΜΗΜΑΤΟΣ / ΚΟΔ ΔΕΤΑΛΙ / ΚΟΔ ΖΕΪΣΙ / ALK. KÓDJA / DELKOD	QTY / QTDE / CANT. / MENGE / KPL / AANT. / QTÁ / QTE / ΠΟΣΟΤΗΤΑ / K-BO / ILOŠĆ / MENNY. / ANTAL
2.44 m x 51 cm (8' x 20")	56432	P6C1418ASS19	2

J		Liner Forro Revestimiento Innenverkleidung Allasmuovi	Bekleding Rivestimento Bäche ΕΠΕΝΔΥΣΗ Чаша бассейна	Wykładzina Bevonat Foder
----------	---	---	---	--------------------------------


SIZE / TAMANHO / TAMAÑO / GRÖSSE / KOKO / GROOTTE / DIMENSIONI / DIMENSION / ΜΕΓΕΘΟΣ / РАЗМЕР / ROZMIAR / MÉRET / STORLEK	ITEM / ITEM N.º / Nº ELEMENTO / ARTIKEL-NR. / OSA NRO / ARTIKELNR. / ARTICOLO / ELEMENT / ANTIKEIMENO / № ИЗДЕЛИЯ / NR POZ. / CIKKSZ. / ARTIKEL	PART CODE / CÓDIGO DE PEÇA / CÓDIGO DE PIEZA / TEIL-CODE / OSAN KOODI / ONDERDEELCODE / CODICE / DEL COMPONENTE / CODE PIECE / ΚΩΔΙΚΟΣ ΤΜΗΜΑΤΟΣ / ΚΟΔ ΔΕΤΑΛΙ / ΚΟΔ ΖΕΪΣΙ / ALK. KÓDJA / DELKOD	QTY / QTDE / CANT. / MENGE / KPL / AANT. / QTÁ / QTE / ΠΟΣΟΤΗΤΑ / K-BO / ILOŠĆ / MENNY. / ANTAL
2.44 m x 51 cm (8' x 20")	56432	P04413	1

K 	Tent leg Perna da tenda Pata de la tienda Zeltnfuß Teltan jalga	Poot tent Supporto della tenda Montant de la tente ΠΟΔΙ ΣΚΗΝΗΣ Стойка палатки	Noga namiotu Sátorláb Taltben
--	---	---	-------------------------------------


SIZE / TAMANHO / TAMAÑO / GRÖSSE / KOKO / GROOTTE / DIMENSIONI / DIMENSION / ΜΕΓΕΘΟΣ / РАЗМЕР / ROZMIAR / MÉRET / STORLEK	ITEM / ITEM N.º / Nº ELEMENTO / ARTIKEL-NR. / OSA NRO / ARTIKELNR. / ARTICOLO / ELEMENT / ΑΝΤΙΚΕΙΜΕΝΟ / № ИЗДЕЛИЯ / NR POZ. / CIKKSZ. / ARTIKEL	PART CODE / CÓDIGO DE PEÇA / CÓDIGO DE PIEZA / TEIL-CODE / OSAN KOODI / ONDERDEELCODE / CODICE DEL COMPONENTE / CODE PIECE / ΚΩΔΙΚΟΣ ΤΜΗΜΑΤΟΣ / КОД ДЕТАЛИ / KOD CZEŚCI / ALK. KÓDJA / DELKOD	QTY / QTDE / CANT. / MENGE / KPL / AANT. / QTÁ / QTE / ΠΟΣΟΤΗΤΑ / K-BO / ILOŠĆ / MENNY. / ANTAL
2.44 m x 51 cm (8' x 20")	56432	P61079ASS16	8

L 	Fiberglass pole Pólo em fibra de vidro Palo de fibra de vidrio Glasfaserstab Laskukuituputki Paal in glasvezel Asta in fibra di vetro	Arcseau en fibre de verre ΣΤΗΡΙΓΜΑ ΥΑΛΟΝΗΜΑΤΟΣ Фиброгласовый стержень Stupek z włókna szklanego Üvegszálás rúd Pinne i fiberglas
--	---	---

SIZE / TAMANHO / TAMAÑO / GRÖSSE / KOKO / GROOTTE / DIMENSIONI / DIMENSION / ΜΕΓΕΘΟΣ / РАЗМЕР / ROZMIAR / MÉRET / STORLEK	ITEM / ITEM N.º / Nº ELEMENTO / ARTIKEL-NR. / OSA NRO / ARTIKELNR. / ARTICOLO / ELEMENT / ΑΝΤΙΚΕΙΜΕΝΟ / № ИЗДЕЛИЯ / NR POZ. / CIKKSZ. / ARTIKEL	PART CODE / CÓDIGO DE PEÇA / CÓDIGO DE PIEZA / TEIL-CODE / OSAN KOODI / ONDERDEELCODE / CODICE DEL COMPONENTE / CODE PIECE / ΚΩΔΙΚΟΣ ΤΜΗΜΑΤΟΣ / КОД ДЕТАЛИ / KOD CZEŚCI / ALK. KÓDJA / DELKOD	QTY / QTDE / CANT. / MENGE / KPL / AANT. / QTÁ / QTE / ΠΟΣΟΤΗΤΑ / K-BO / ILOŠĆ / MENNY. / ANTAL
2.44 m x 51 cm (8' x 20")	56432	P61080ASS16	8

O 	Tent's outer cloth Tecido externo da tenda Tela exterior para la tienda Äußere Zeltwand Teltan ulkokangas Buitenbekleding tent Copertura esterna della tenda	Tissu externe de la tente ΕΞΩΤΕΡΙΚΟ ΥΦΑΣΜΑ ΣΚΗΝΗΣ Внешний материал палатки Material zewnętrzny namiotu Külsó sátorlap Táltets yttertyg
--	--	---

SIZE / TAMANHO / TAMAÑO / GRÖSSE / KOKO / GROOTTE / DIMENSIONI / DIMENSION / ΜΕΓΕΘΟΣ / РАЗМЕР / ROZMIAR / MÉRET / STORLEK	ITEM / ITEM N.º / Nº ELEMENTO / ARTIKEL-NR. / OSA NRO / ARTIKELNR. / ARTICOLO / ELEMENT / ΑΝΤΙΚΕΙΜΕΝΟ / № ИЗДЕЛИЯ / NR POZ. / CIKKSZ. / ARTIKEL	PART CODE / CÓDIGO DE PEÇA / CÓDIGO DE PIEZA / TEIL-CODE / OSAN KOODI / ONDERDEELCODE / CODICE DEL COMPONENTE / CODE PIECE / ΚΩΔΙΚΟΣ ΤΜΗΜΑΤΟΣ / КОД ДЕТАЛИ / KOD CZEŚCI / ALK. KÓDJA / DELKOD	QTY / QTDE / CANT. / MENGE / KPL / AANT. / QTÁ / QTE / ΠΟΣΟΤΗΤΑ / K-BO / ILOŠĆ / MENNY. / ANTAL
2.44 m x 51 cm (8' x 20")	56432	P61809ASS17	1

P 	Pin Gasket Vedante do Pino Junta de la patilla Bolzendichtung Nastan tiiviste	Pen afdichting Guarnizione spinotto Joint de cheville ΦΛΑΝΤΖΑ ΠΕΡΟΝΗΣ Прокладка штыря	Uszczelka kółka Csapótműtés Stift packing
--	---	---	---

SIZE / TAMANHO / TAMAÑO / GRÖSSE / KOKO / GROOTTE / DIMENSIONI / DIMENSION / ΜΕΓΕΘΟΣ / РАЗМЕР / ROZMIAR / MÉRET / STORLEK	ITEM / ITEM N.º / Nº ELEMENTO / ARTIKEL-NR. / OSA NRO / ARTIKELNR. / ARTICOLO / ELEMENT / ΑΝΤΙΚΕΙΜΕΝΟ / № ИЗДЕЛИЯ / NR POZ. / CIKKSZ. / ARTIKEL	PART CODE / CÓDIGO DE PEÇA / CÓDIGO DE PIEZA / TEIL-CODE / OSAN KOODI / ONDERDEELCODE / CODICE DEL COMPONENTE / CODE PIECE / ΚΩΔΙΚΟΣ ΤΜΗΜΑΤΟΣ / КОД ДЕТАЛИ / KOD CZEŚCI / ALK. KÓDJA / DELKOD	QTY / QTDE / CANT. / MENGE / KPL / AANT. / QTÁ / QTE / ΠΟΣΟΤΗΤΑ / K-BO / ILOŠĆ / MENNY. / ANTAL
2.44 m x 51 cm (8' x 20")	56432	P04429	18

EN Note: Drawings not scaled to size.
Please see FAQ'S for additional information.

PT NOTA: Os desenhos não são proporcionais ao tamanho.
Para maiores informações, consultar a secção de perguntas frequentes.

ES NOTA: Los diseños no están realizados a escala.
Para más información, consulte las PMF.

DE HINWEIS: Die Zeichnungen sind nicht maßstabsgerecht.
Siehe in den FAQ für weitere Informationen.

FI HUOMAA: Piirrookset eivät ole mittakaavassa.
Katso lisätietoja Usein kysytyistä kysymyksistä.

NL OPMERKING: Tekeningen niet op schaal.
Raadpleeg de Vaak Gestelde Vragen voor meer informatie.

IT NOTA: I disegni non sono in scala.
Per maggiori informazioni fare riferimento alle domande frequenti.

FR REMARQUE : Les dessins ne sont pas à l'échelle.
Voir SVP les FAQ pour plus d'informations.

EL ΣΗΜΕΙΩΣΗ: ΤΑ ΣΧΕΔΙΑΓΡΑΜΜΑΤΑ ΔΕΝ ΕΙΝΑΙ ΥΠΟ ΚΛΙΜΑΚΑ.
ΔΙΑΒΑΣΤΕ ΤΙΣ ΣΥΧΝΕΣ ΕΡΩΤΗΣΕΙΣ & ΑΠΑΝΤΗΣΕΙΣ (FAQ) ΓΙΑ ΠΕΡΙΣΣΟΤΕΡΕΣ
ΠΛΗΡΟΦΟΡΙΕΣ.

RU ПРИМЕЧАНИЕ: Эскизы приводятся без соблюдения точного масштаба.
За дополнительной информацией можно заглянуть в раздел Часто задаваемых
Вопросов.

PL UWAGA: Rysunki nie są wykonane według rzeczywistej skali.
Dodatkowe informacje można znaleźć w części 'Najczęściej zadawane pytania' (FAQ).

HU FIGYELEM: A rajzok nem méretarányosak.
További információt a gyakran feltett kérdések (FAQ) részben találhat.

SV OBS: Ritningarna är inte i skala.
Se FAQ för ytterligare information.

SPLASH-IN-SHADE PLAY POOL

OWNER'S MANUAL

⚠ WARNING

Carefully read, understand, and follow all information in this user manual before installing and using the swimming pool. These warnings, instructions, and safety guidelines address some common risks of water recreation, but they cannot cover all risks and dangers in all cases. Always use caution, common sense, and good judgment when enjoying any water activity. Retain this information for future use.

Non Swimmers safety

- Continuous, active, and vigilant supervision of weak swimmers and non-swimmers by a competent adult is required at all times (remembering that children under five are at the highest risk of drowning).
- Designate a competent adult to supervise the pool each time it is being used.
- Weak swimmers or non-swimmers should wear personal protection equipment when using the pool.
- When the pool is not in use, or unsupervised, remove all toys from the swimming pool and its surrounding to avoid attracting children to the pool.

Safety devices

- In order to prevent children from drowning, it is recommended to secure the access to the pool with a protection device. In order to prevent children climbing from the inlet and outlet valve, it is recommended to install a barrier (and secure all doors and windows, where applicable) to prevent unauthorized access to the swimming pool.
- Barriers, pool covers, pool alarms, or similar safety devices are helpful aids, but they are not substitutes for continuous and competent adult supervision.

Safety equipment

- It is recommended to keep rescue equipment (e.g. a ring buoy) by the pool.
- Keep a working phone and a list of emergency phone numbers near the pool.

Safe use of the pool

- Encourage all users especially children to learn how to swim.
- Learn Basic Life Support (Cardiopulmonary Resuscitation - CPR) and refresh this knowledge regularly. This can make a life-saving difference in the event of an emergency.
- Instruct all pool users, including children, what to do in case of an emergency.
- Never dive into any shallow body of water. This can lead to serious injury or death.
- Do not use the swimming pool when using alcohol or medication that may impair your ability to safely use the pool.
- When pool covers are used, remove them completely from the water surface before entering the pool.
- Protect pool occupants from water related illnesses by keeping the pool water treated and practicing good hygiene. Consult the water treatment guidelines in the user's manual.
- Store chemicals (e.g. water treatment, cleaning or disinfection products) out of the reach of children.
- Use the signage as outlined below. Signage is to be displayed in a prominent position within 2m of the pool.



Keep children under supervision in the aquatic environment. No diving.

- Removable ladders shall be placed on a horizontal surface.
- Irrespective of materials used for swimming pool construction, accessible surfaces have to be checked regularly to avoid injuries.
- Regularly monitor bolts and screws. Remove splinters or any sharp edges to avoid injuries.
- **ATTENTION:** Do not leave the drained pool outside. The empty pool is liable to become deformed and/or displaced due to wind.
- If you have a filter pump, refer to the pump's manual for instructions.

WARNING! The pump cannot be used while people are inside the pool!

- If you have a ladder, refer to the ladder's manual for instructions.

WARNING! The use of a swimming pool implies compliance with the safety instructions described in the operating and maintenance guide. In order to prevent drowning or other serious injuries, pay particular attention to the possibility of unexpected access to the swimming pool by children under 5 years by securing the access to it, and, during the bathing period, keep them under constant adult supervision.

Please read carefully and keep for future reference

Installation usually takes approximately 20 minutes with 2-3 people excluding earthworks and filling.

CHOOSE THE CORRECT LOCATION

IMPORTANT: The pool must be set up on a completely flat and level surface. Please do not install the pool if the surface is inclined or sloped.

Correct conditions to set up the pool:

- The selected location has to be capable of uniformly supporting the weight for the entire time the pool is installed, moreover the location must be flat and must be cleared of all objects and debris including stones and twigs.
- We recommend positioning the pool away from any objects kids could use to climb into the pool.

NOTE: Position the pool near an adequate drainage system to deal with overflow or to discharge the pool.

NOTE: Position the pool near an AC power outlet protected by a RCD (Residual Current Device).

Incorrect conditions to set up the pool:

- On uneven ground the pool may collapse causing serious personal injury and/or damage to personal property and will void the warranty and prevent any service claims.
- Sand should not be used to create a level base; the ground must be dug out if necessary.
- Directly under overhead power lines or trees. Be sure the location does not contain underground utility pipes, lines or cables of any kind.
- Do not set up the pool on driveways, decks, platforms, gravel or asphalt surfaces. The selected location should be firm enough to withstand the pressure of the water; mud, sand, soft / loose soil or tar are not suitable.
- Grass or other vegetation under the pool will die and may cause odors and slime to develop, therefore we recommend removing all grass from the selected pool location.
- Avoid areas prone to aggressive plant and weed species that may grow through the liner.

NOTE: Check with your local city council for by-laws relating to fencing, barriers, lighting and safety requirements and ensure you comply with all laws.

NOTE: If have a filter pump, refer to the pump's manual for instructions.

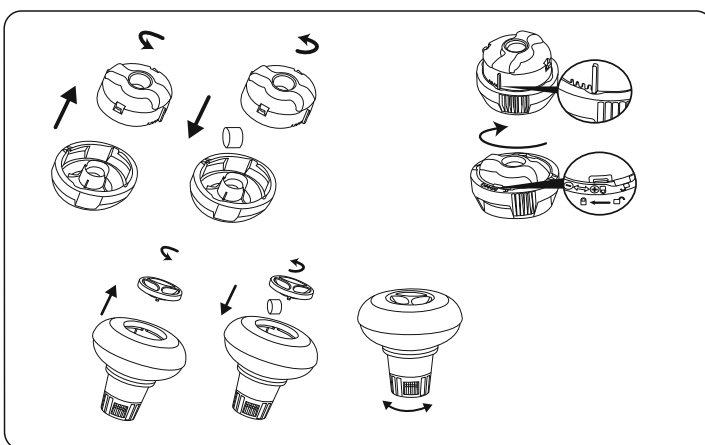
NOTE: The ladder must match the pool size and should to be used only for entering and exiting the pool. It is forbidden to exceed the permitted payload of the ladder. Check regularly if the ladder is properly assembled.

Pool Maintenance

If you do not adhere to the maintenance guidelines below, your health might be at risk, especially that of your children.

Using chemical tablets (not included):

NOTE: Chemconnect or Chemical Floater must be used when you perform chemical maintenance with tablets. Your purchased item may not include any of those dispensers, in this case you can purchase it by visiting our website www.bestwaycorp.com or at the nearest pool dealer.



IMPORTANT: Don't use granulate tablets or throw the tablet directly in the water. The chemicals can deposit on the bottom, damage the material and discolor the PVC.

Using chemical liquid (not included):

IMPORTANT: Add chemical liquid in small doses and in the center of the pool to avoid direct contact between the chemicals and the PVC surface. Direct contact can damage the material and discolor the surface.

NOTE: Remove the chemical dispenser from pool when the pool is in use.

IMPORTANT: After performing chemical maintenance and before using the pool, use a test kit (not included) to test the water chemistry. We recommend maintaining your water according to the following table.

Parameters	Values
Water clarity	clear view of the pool bottom
Colour of the water	no colour should be observed
Turbidity in FNU/NTU	max. 1,5 (preferably less than 0,5)
Nitrate concentration above that of fill water in mg/l	max. 20
Total organic carbon (TOC) in mg/l	max. 4,0
Redox potential against Ag/AgCl 3,5 m KCl in mV	min. 650
pH value	6,8 to 7,6
Free active chlorine (without cyanuric acid) in mg/l	0,3 to 1,5
Free chlorine used in combination with cyanuric acid in mg/l	1,0 to 3,0
Cyanuric acid in mg/l	max 100
Combined chlorine in mg/l	max 0,5 (preferably close to 0,0 mg/l)

NOTE: Damage resulting from chemical imbalance is not covered by the warranty. Pool chemicals are potentially toxic and should be handled with care. There are serious health risks from chemical vapors and the incorrect labeling and storage of chemical containers. Please consult your local pool supply retailer for more information about chemical maintenance. Pay close attention to the chemical manufacturer's instructions. Pool damage resulting from misuse of chemicals and mismanagement of pool water is not covered by the warranty.

Important: Over usage of chemicals can discolor the printing and all points of the pool material. It

can also damage the structure of the pool liner.

To keep your pool clean:

1. Contact your local pool supply shop for advice and purchase of chemicals and pH kits. One of the most important factors to increase the life of the liner is to keep continuously clean and healthy water. Please strictly follow the instructions from professional technicians for the water treatment through the use of chemicals.
2. Locate a bucket of water next to pool to clean users' feet before entering pool.
3. Cover the pool when not in use.
4. Skim pool regularly to avoid settled dirt.
5. Check and wash the filter cartridge regularly.
6. Gently clean any scum from below the top ring with a clean cloth.
7. Please be careful in case of rain water, kindly check that the water level is not higher than the expected. If so, YOU HAVE TO DISCHARGE THE EXCESS WATER.
8. If it rains, check that the water level is not higher than the specified level. If water exceeds the specified levels, drain the pool to the specified level.

Proper maintenance can maximize the life of your pool.

During the season of use of the swimming pool, the filtration system must be necessarily put into service every day, enough time to assure at least a complete renewal of the volume of water.

NOTE: The pump is used to circulate the water and to filter small particles. In order to keep your pool water clean and hygienic, you must also add chemicals.

Repair

In the event of a leak, patch your pool using the underwater adhesive repair patch provided. You can find the instructions in FAQs on the support section of our website, www.bestwaycorp.com.

Dismantling

1. Unscrew the drain valve cap on the outside of the pool counter clockwise and remove.
2. Connect the adaptor to the hose and put the other end of the hose in the area where you are going to drain your pool. (Check local regulations for drainage by-laws).
3. Screw control ring of the hose adaptor onto the drain valve clockwise. The drain valve will be open and water will start to drain automatically.

ATTENTION: Water flow can be controlled with the control ring.

4. When draining is finished, unscrew the control ring to close the valve.
5. Disconnect the hose.
6. Screw the cap back onto the drain valve.
7. Air dry pool.

ATTENTION: Do not leave the drained pool outside.

Storage

1. Please remove all the accessories and spare parts of the pool and store them clean and dry.
2. Once pool is completely dry, sprinkle with talcum powder to prevent pool from sticking together, fold pool carefully. If pool is not completely dry, mould may result and will damage the pool liner.
3. Store liner and accessories in a dry place with a moderate temperature between 5°C / 41°F and 38°C / 100°F.
4. During rainy season, pool and accessories should be stored as above instruction also.
5. Unproper draining of the pool might cause serious personal injury and/or damage to personal property.

PISCINA DE BRINCAR SPLASH-IN-SHADE MANUAL DO USUÁRIO

⚠ ATENÇÃO

Leia atentamente, compreenda e siga todas as instruções contidas neste manual de utilizador antes de instalar e utilizar a piscina. Estes avisos, instruções e orientações de segurança visam alguns riscos comuns de divertimentos aquáticos, contudo não podem abranger todos os riscos e perigos em todos os casos. Sempre que desfrutar de uma actividade aquática, deve ter cuidado, senso comum e bom discernimento. Preserve esta informação para utilização futura.

Segurança dos Não-Nadadores

- É sempre necessária uma supervisão contínua, activa e vigilante dos nadadores mais vulneráveis e dos não-nadadores por um adulto competente (lembre-se que as crianças com idade inferior a cinco anos correm o risco mais elevado de afogamento).
- Nomeie um adulto competente para supervisionar a piscina sempre que esteja em utilização.
- Os nadadores mais vulneráveis ou não-nadadores devem utilizar equipamento de protecção pessoal sempre que utilizarem a piscina.
- Sempre que a piscina não estiver a ser utilizada ou sem supervisão, retire todos os brinquedos da piscina e dos seus arredores para evitar atrair crianças até à piscina.

Dispositivos de segurança

- De modo a prevenir que as crianças se afoguem, recomenda-se que proteja o acesso à piscina com um dispositivo de protecção. De modo a prevenir que as crianças subam pelas válvulas de entrada e saída, recomenda-se que instale uma barreira (e proteja todas as portas e janelas, sempre que aplicável) para prevenir o acesso não autorizado à piscina.
- Barreiras, coberturas de piscina, alarmes de piscina ou dispositivos de segurança semelhantes são auxiliares muito úteis, embora não substituam a supervisão contínua e competente por um adulto.

Equipamento de segurança

- Recomenda-se que mantenha equipamento de resgate (ex., uma bóia em anel) nas proximidades da piscina.

- Mantenha um telefone funcional e uma lista de telefones de emergência nas proximidades da piscina.

Utilização segura da piscina

- Encoraje todos os utilizadores, em especial as crianças, a aprender a nadar.
- Aprenda medidas de Suporte Básico de Vida (Ressuscitação Cardiopulmonar - RCP) e renove este conhecimento regularmente. Isto pode ajudar a salvar vidas em caso de emergência.
- Instrua todos os utilizadores da piscina, incluindo as crianças, acerca do que devem fazer em caso de emergência.
- Nunca mergulhe em corpos de água pouco profundos. Isto pode causar ferimentos graves ou morte.
- Não utilize a piscina quando ingerir álcool ou medicamentos que possam afectar a sua capacidade para desfrutar dela em segurança.
- Caso tenha uma cobertura de piscina, retire-a completamente da superfície da água antes de entrar na piscina.
- Proteja os ocupantes da piscina de doenças relacionadas com a água, mantendo a água da piscina tratada e praticando uma boa higiene. Consulte as orientações de tratamento da água contidas no manual de utilizador.
- Armazene os químicos (ex., produtos de tratamento, limpeza e desinfecção da água) fora do alcance das crianças.
- Utilize a sinalização conforme indicado abaixo. A sinalização deve ser exibida numa posição proeminente a 2m da piscina.



Mantenha as crianças sob supervisão no meio aquático. Não mergulhe.

- As escadas amovíveis devem ser colocadas numa superfície horizontal.
- Independentemente dos materiais utilizados na construção da piscina, as superfícies acessíveis devem ser verificadas regularmente para evitar ferimentos.
- Monitörize regularmente os parafusos e remova lascas ou quaisquer arestas afiadas para evitar ferimentos.
- **ATENÇÃO:** Não deixe a piscina drenada no exterior. Quando vazia, a piscina fica susceptível a sofrer deformações e/ou deslocamentos devido ao vento.
- Se tiver uma bomba de filtro, consulte o manual da bomba para obter instruções.
- **ATENÇÃO:** A bomba não pode ser utilizada enquanto a piscina estiver ocupada!
- Se tiver uma escada, consulte o manual da escada para obter instruções.
- **ATENÇÃO:** A utilização de uma piscina implica o cumprimento das instruções de segurança descritas no guia de funcionamento e manutenção. Para prevenir afogamentos ou outros ferimentos graves, preste especial atenção à possibilidade das crianças com idade inferior a 5 anos acederem à piscina de forma inesperada, através da protecção do acesso à mesma, e mantendo-as sob supervisão constante de um adulto durante o período de banhos.

Por favor leia cuidadosamente e guarde para referência futura.

A instalação demora normalmente cerca de 20 minutos com 2-3 pessoas excluindo trabalhos de remoção de solos e enchimento.

ESCOLHA A LOCALIZAÇÃO CORRECTA

IMPORTANTE: A piscina tem de ser montada numa superfície completamente plana e nivelada. Não instalar a piscina sobre uma superfície inclinada.

Condição correcta para instalar a piscina:

- A localização seleccionada tem de ser capaz de suportar uniformemente o peso durante todo o tempo em que a piscina esteja instalada, adicionalmente a localização deve ser plana e deve estar livre de quaisquer objectos e detritos inclusive pedras e ramos.
- Recomendamos que posicione a piscina afastada de quaisquer objecto que as crianças possam utilizar para trepar para a piscina.
- NOTA:** Posicione a piscina perto de um sistema de drenagem adequado para lidar com transbordamentos ou a descarga da piscina.
- NOTA:** Posicione a piscina perto de uma tomada de corrente CA com um RCD (Dispositivo de Corrente Residual).

Condições incorrectas para instalar a piscina:

- Em terreno desnivelado a piscina pode colapsar causando ferimentos pessoais sérios e/ou danos

a propriedade pessoal e isso irá invalidar a garantia e prevenir quaisquer reclamações de assistência.

- Não deve ser utilizada areia para criar uma base nivelada; o solo deve ser escavado caso necessário.
- Directamente por baixo de linhas de electricidade superiores ou árvores. Certifique-se que a localização não contém tubagens, linhas ou cabos de infraestruturas de qualquer tipo subterrâneos.
- Não instale a piscina em acessos de garagem, decks, plataformas, superfícies de gravilha ou asfalto. A localização seleccionada deve ser firme o suficiente para suportar a pressão da água; a lama, areia, solo suave / solto ou alcatrão não são adequados.
- A relva e outra vegetação por baixo da piscina irá morrer e pode causar o desenvolvimento de odores e lamas, assim, recomendamos que remova toda a erva da localização da piscina seleccionada.
- Evite áreas propensas a tipos de plantas e ervas daninhas agressivas que possam crescer através do revestimento.

NOTA: Verifique com a sua câmara municipal quanto a legislação relacionada com requisitos de vedações, barreiras, iluminação e segurança e certifique-se que respeita todas as leis.

NOTA: Caso possua uma bomba de filtro consulte o manual da bomba para obter instruções.

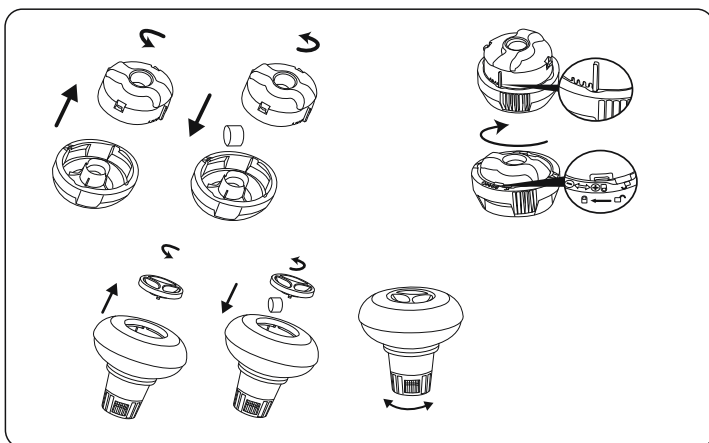
NOTA: A escada deve ser adequada ao tamanho da piscina e deve ser usada apenas para entrar e sair da piscina. É proibido exceder a carga permitida da escada. Verifique regularmente se a escada está montada devidamente.

Manutenção da piscina

Se você não cumprir as diretrizes de manutenção detalhadas abaixo, sua saúde pode estar em risco, especialmente a de seus filhos.

Uso de comprimidos químicos (não incluídos):

NOTA: O Chemconnect ou o Chemical Floater devem ser usados ao realizar manutenção química com os comprimidos. O item adquirido pode não incluir nenhum desses dispensadores; nesse caso, você pode comprá-lo visitando nosso site www.bestwaycorp.com ou o distribuidor de piscina mais próximo.



IMPORTANTE: Não use comprimidos granulados ou jogue-o diretamente na água. Os produtos químicos podem assentar no fundo, danificar o material e descolorir o PVC.

Uso de líquido químico (não incluído):

IMPORTANTE: Adicione líquido químico em pequenas doses e no centro da piscina para evitar o contato direto entre os produtos químicos e a superfície do PVC. O contato direto pode danificar o material e descolorir a superfície.

NOTA: Remova o distribuidor de produtos químicos da piscina quando a piscina estiver em uso.
IMPORTANTE: Após realizar a manutenção química e antes de usar a piscina, use um kit de teste (não incluído) para testar a química da água. Recomendamos manter a água de acordo com a tabela a seguir.

Parâmetros	Valores
Clareza da água	Visão clara do fundo da piscina
Cor de água	A cor não deve ser observada
Turvação em UNF / NTU	máx. 1,5 (preferencialmente menor que 0,5)
Concentração de nitrato superior à água em mg / l	max. 20
Carbono orgânico total (TOC) em mg / l	max. 4,0
Potencial redox contra Ag / AgCL 3,5 m KCl em mV	min. 650
Valor de pH	de 6,8 a 7,6
Cloro ativo livre (sem ácido cianúrico) em mg / l	de 0,3 a 1,5
Cloro livre usado em combinação con ácido cianúrico em mg / l	de 1,0 a 3,0
Ácido cianúrico em mg / l	max. 100
Cloro combinado em mg / l	máx. 0,5 (de preferência perto de 0,0 mg / l)

NOTA: Danos resultantes de desequilíbrio químico não são cobertos pela garantia. Os produtos químicos da piscina são potencialmente tóxicos e devem ser manuseados com cuidado. Existem sérios riscos para a saúde causados por vapores químicos e rotulagem e armazenamento inadequados de recipientes químicos. Consulte o seu distribuidor local de suprimentos para piscinas para obter mais informações sobre manutenção química. Preste muita atenção às instruções do fabricante de produtos químicos. A garantia não cobre danos causados pelo uso inadequado de produtos químicos e manuseio inadequado da água da piscina.
IMPORTANTE: O uso excessivo de produtos químicos pode descolorir a impressão e todos os pontos do material da piscina. Também pode danificar a estrutura do revestimento da piscina.

Para manter sua piscina limpa:

1. Entre em contato com a loja de suprimentos da piscina local para obter orientação e comprar produtos químicos e kits de pH. Um dos fatores mais importantes para aumentar a vida útil do revestimento é manter a água limpa e saudável continuamente. Siga rigorosamente as instruções de técnicos profissionais para tratamento de água usando produtos químicos.
2. Coloque um balde de água ao lado da piscina para limpar os pés dos usuários antes de entrar na piscina.
3. Cubra a piscina quando não estiver em uso.
4. Limpe a piscina regularmente para evitar acúmulo de sujeira.
5. Verifique e lave o cartucho do filtro regularmente.
6. Limpe cuidadosamente qualquer escória de baixo do anel superior com um pano limpo.
7. Tenha cuidado em caso de chuva, verifique se o nível da água não está acima do esperado. Nesse caso, você DEVE baixar o excesso de água.
8. Se chover, verifique se o nível da água não excede o nível especificado. Se a água exceder os níveis especificados, drene a piscina para o nível especificado.

A manutenção adequada pode maximizar a vida útil da sua piscina.

Durante a estação de uso da piscina, o sistema de filtragem deve necessariamente ser colocado em serviço todos os dias, tempo suficiente para garantir pelo menos uma renovação completa do volume de água.

NOTA: A bomba é usada para circular a água e filtrar pequenas partículas. Para manter a água da piscina limpa e higiênica, você também deve adicionar produtos químicos.

Reparação

Em caso de vazamento, repare sua piscina usando o adesivo adesivo subaquático fornecido. Você pode encontrar as instruções em Perguntas frequentes na seção de suporte do nosso site, www.bestwaycorp.com.

Desmontagem

1. Desparafusar o tampão da válvula de dreno na parte externa da piscina, no sentido anti-horário, e removê-lo.
2. Ligar o adaptador à mangueira e colocar a outra extremidade na área de drenagem da água contida na piscina. (Verificar os regulamentos locais sobre as leis de drenagem).
3. Parafusar o anel de comando do adaptador na válvula de dreno, no sentido anti-horário. A válvula de dreno abrir-se-á e água começará escoar, automaticamente.

ATENÇÃO: O escoamento da água pode ser controlado pelo anel de comando.

4. Quando a drenagem tiver terminado, desparafusar o anel de comando para fechar a válvula.
5. Retirar a mangueira.
6. Parafusar o tampão na válvula de dreno.
7. Esvaziar a piscina.

ATENÇÃO: Não deixar a piscina vazia ao ar livre.

Conservação

1. Remover todos os acessórios e peças de reposição da piscina, limpá-los e deixá-los secar antes de colocá-los na caixa.
2. Quando a piscina estiver completamente seca, pulverizar talco para impedir que partes da piscina se colem; dobrá-la cuidadosamente. Se a piscina não estiver completamente enxuta, o revestimento interno poderá danificar-se por causa da formação de mofo.
3. Guardar o revestimento interno e os acessórios em um lugar seco e com temperatura moderada, entre 5°C / 41°F graus 38°C / 100°F.
4. Durante a estação das chuvas, a sua piscina e os acessórios podem ser guardados como explicado também nas instruções acima.
5. Um impróprio escoamento das águas da piscina pode causar sérios ferimentos e/ou prejuízos à propriedade.

PISCINA INFANTIL SPLASH-IN-SHADE MANUAL DE INSTRUCCIONES

⚠ ADVERTENCIA

Lea atentamente, comprenda y siga toda la información contenida en este manual antes de instalar y utilizar la piscina. Estas advertencias, instrucciones y normas de seguridad abordan algunos de los riesgos más comunes relacionados con el ocio acuático, pero no cubren todos los riesgos y peligros en cualquier caso. Sea siempre prudente y utilice el sentido común y el buen juicio cuando disfrute de cualquier actividad acuática. Conserve esta información para un uso futuro.

Seguridad de los no nadadores

- Los nadadores principiantes y los no nadadores requieren de la supervisión continua, activa y atenta de un adulto competente en todo momento (recuerde que los menores de cinco años cuentan con el mayor riesgo de ahogamiento).
- Asigne a un adulto competente la tarea de supervisar la piscina cada vez que esta esté en uso.
- Los nadadores principiantes o los no nadadores deben llevar un equipo de protección personal cuando utilicen la piscina.
- Cuando no se esté utilizando la piscina, o no cuente con supervisión, retire todos los juguetes de ella y de sus alrededores para que no atraigan a los niños.

Dispositivos de seguridad

- Para prevenir el ahogamiento infantil, se recomienda asegurar el acceso a la piscina con algún dispositivo de seguridad. Para prevenir que los niños suban sobre las válvulas de entrada y de salida, se recomienda instalar una barrera (y asegurar todas las puertas y ventanas, donde sea necesario) para prevenir el acceso no autorizado a la piscina.
- Las barreras, cubiertas de piscina, alarmas de piscina o dispositivos de seguridad similares son ayudas útiles, pero no sustituyen la supervisión competente y constante de un adulto.

Equipos de seguridad

- Se recomienda tener los equipos de rescate (ej.: salvavidas) cerca de la piscina.
- Tenga un teléfono activo y una lista de números de emergencia cerca de la piscina.

Uso seguro de la piscina

- Anime a todos los usuarios, y especialmente a los niños, a aprender a nadar.
- Aprenda métodos de reanimación básica (reanimación cardiopulmonar - RCP) y repase este conocimiento regularmente. Esto puede marcar la diferencia en caso de emergencia.
- Enseñe a todos los usuarios de la piscina, niños incluidos, qué hacer en caso de emergencia.
- No se zambulla en aguas poco profundas. Esto podría causar graves daños o incluso muerte.
- No utilice la piscina cuando se encuentre bajo los efectos del alcohol o de medicamentos que puedan afectar a su capacidad de usar la piscina de manera segura.
- Cuando se utilizan las cubiertas de piscina, retírelas completamente de la superficie del agua antes de entrar en la piscina.
- Proteja a los usuarios de la piscina de enfermedades manteniendo el tratamiento del agua de la piscina y practicando buenos hábitos higiénicos. Consulte las directrices para el tratamiento del agua en el manual del usuario.
- Almacene los productos químicos (ej.: tratamientos para el agua, productos de limpieza o desinfección) fuera del alcance de los niños.
- Utilice la señalización como se especifica más abajo. La señalización se debe colocar en una posición visible y destacada dentro de un radio de 2 metros de la piscina.



Supervise a los niños en el entorno acuático. Prohibido tirarse de cabeza.

- Las escaleras extraíbles deben colocarse sobre una superficie horizontal.
- Independientemente del material utilizado para la construcción de la piscina, las superficies accesibles deben comprobarse regularmente para evitar lesiones.
- Compruebe regularmente los tornillos y tuercas; retire las astillas o cualquier borde afilado para evitar lesiones.
- **ATENCIÓN:** No deje la piscina vacía en el exterior. La piscina vacía podría deformarse y/o desplazarse debido al viento.
- Si cuenta con una bomba de filtrado, consulte el manual de instrucciones de la bomba.
- **¡ADVERTENCIA!** La bomba no se puede poner en marcha mientras haya personas en el interior de la piscina.
- Si tiene una escalera, consulte su correspondiente manual para las instrucciones.
- **¡ADVERTENCIA!** El uso de una piscina implica el cumplimiento de las instrucciones de seguridad descritas en el manual de uso y mantenimiento. Para evitar ahogamiento y otras lesiones graves, preste una especial atención a la posibilidad de acceso inesperado a la piscina de niños de menos de 5 años, tomando las medidas de seguridad necesarias y, durante el periodo del baño, téngales bajo la vigilancia constante de un adulto.

Lea detenidamente y conserve este documento para consultas futuras.

La instalación normalmente dura 20 minutos si la llevan a cabo 2-3 personas, excluyendo las excavaciones y el llenado.

ELIJA UNA UBICACIÓN ADECUADA

IMPORTANTE: La piscina debe montarse en una superficie completamente plana y nivelada. No instale la piscina si la superficie está inclinada o en pendiente.

Condiciones adecuadas para instalar la piscina:

- La ubicación seleccionada debe ser capaz de soportar de forma uniforme el peso de la piscina durante todo el tiempo que permanezca montada; asimismo, la ubicación debe tener una superficie plana y debe estar libre de objetos y residuos como piedras o ramas.
- Le recomendamos colocar la piscina alejada de cualquier objeto que los niños pudieran utilizar para escalar e introducirse en ella.
- NOTA:** Coloque la piscina cerca de un sistema de drenaje adecuado para dar salida a los desbordamientos de agua o vaciar la piscina.
- NOTA:** Coloque la piscina cerca de una toma eléctrica AC protegida por un dispositivo diferencial residual.

Condiciones inadecuadas para instalar la piscina:

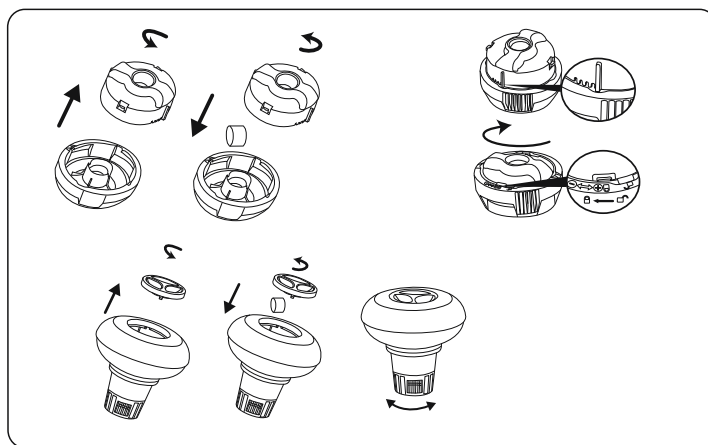
- Sobre un suelo con desniveles, pues la piscina podría derrumbarse provocando lesiones personales o pérdidas materiales graves; además, dejaría la garantía sin validez e impediría la presentación de reclamaciones de mantenimiento o reparación.
- No debe utilizarse arena para crear una base nivelada; en caso necesario, habrá que realizar excavaciones en el suelo.
- Directamente debajo de árboles o líneas de alta tensión. Asegúrese de que no pasan tuberías, líneas o cables por debajo del lugar de instalación.
- No coloque la piscina en entradas, terrazas, plataformas, superficies de grava o de asfalto. La ubicación seleccionada debería ser lo suficientemente firme para soportar la presión del agua; no situar sobre lodo, arena, suelo blando o suelo o alquitrán.
- El césped o la vegetación bajo de la piscina se marchitará y podría provocar malos olores o la aparición de fango. Por eso, recomendamos eliminar todo el césped de la ubicación elegida para la piscina.
- Evite áreas propensas de tipos de plantas agresivas y malezas que puedan crecer a través del revestimiento.
- NOTA:** Consulte a las autoridades locales para conocer las normativas en materia de vallas, barreras, iluminación y seguridad y asegúrese de cumplirlas.
- NOTA:** Si cuenta con una bomba de filtrado, consulte el manual de instrucciones de la bomba.
- NOTA:** La escalera debe adaptarse al tamaño de la piscina y debe utilizarse únicamente para entrar y salir de ella. Queda prohibido exceder la carga útil máxima permitida de la escalera. Compruebe periódicamente el correcto montaje de esta última.

Mantenimiento de piscinas

Si no cumple con las pautas de mantenimiento detalladas a continuación, su salud podría estar en riesgo, especialmente la de sus hijos.

Uso de tabletas químicas (no incluidas):

NOTA: Chemconnect o Chemical Floater deben usarse cuando realiza mantenimiento químico con tabletas. Su artículo comprado puede no incluir ninguno de esos dispensadores, en este caso puede comprarlo visitando nuestro sitio web www.bestwaycorp.com o en el distribuidor de piscinas más cercano.



IMPORTANTE: No use tabletas granuladas ni la arroje directamente al agua. Los productos químicos pueden depositarse en el fondo, dañar el material y decolorar el PVC.

Uso de líquido químico (no incluido):

IMPORTANTE: Agregue líquido químico en pequeñas dosis y en el centro de la piscina para evitar el contacto directo entre los químicos y la superficie de PVC. El contacto directo puede dañar el material y decolorar la superficie.

NOTA: Retire el dispensador de químicos de la piscina cuando la piscina esté en uso.

IMPORTANTE: Después de realizar el mantenimiento químico y antes de usar la piscina, use un kit de prueba (no incluido) para probar la química del agua. Recomendamos mantener su agua de acuerdo con la siguiente tabla.

Parámetros	Valores
Claridad del agua	Vista clara del fondo de la piscina
Color del agua	No se debe observar color
Turbidez en FNU / NTU	max. 1,5 (preferiblemente menos de 0,5)
Concentración de nitrato superior a la del agua en mg / l	max. 20
Carbono orgánico total (TOC) en mg / l	max. 4,0
Potencial redox contra Ag / AgCL 3,5 m KCl en mV	min. 650
Valor de pH	de 6,8 a 7,6
Cloro activo libre (sin ácido cianúrico) en mg / l	de 0,3 a 1,5
Cloro libre usado en combinación con ácido cianúrico en mg / l	de 1,0 a 3,0
Ácido cianúrico en mg / l	max. 100
Cloro combinado en mg / l	max. 0,5 (preferiblemente cercano a 0,0 mg / l)

NOTA: El daño resultante del desequilibrio químico no está cubierto por la garantía. Los productos químicos para piscinas son potencialmente tóxicos y deben manejarse con cuidado. Existen graves riesgos para la salud por los vapores químicos y el etiquetado y almacenamiento incorrectos de los contenedores químicos. Consulte a su distribuidor local de suministros de piscinas para obtener más información sobre el mantenimiento químico. Preste mucha atención a las instrucciones del fabricante del químico. La garantía no cubre los daños causados por el uso indebido de productos químicos y el mal manejo del agua de la piscina.

IMPORTANTE: el uso excesivo de productos químicos puede decolorar la impresión y todos los puntos del material de la piscina. También puede dañar la estructura del revestimiento de la piscina.

Para mantener su piscina limpia:

1. Póngase en contacto con su tienda local de suministros de piscinas para obtener asesoramiento y comprar productos químicos y kits de pH. Uno de los factores más importantes para aumentar la vida útil del revestimiento es mantener continuamente agua limpia y saludable. Siga estrictamente las instrucciones de técnicos profesionales para el tratamiento del agua mediante el uso de productos químicos.
2. Coloque un cubo de agua al lado de la piscina para limpiar los pies de los usuarios antes de entrar a la piscina.
3. Tape la piscina cuando no esté en uso.
4. Limpie la piscina regularmente para evitar la acumulación de suciedad.
5. Revise y lave el cartucho del filtro regularmente.
6. Limpie suavemente cualquier escoria de debajo del anillo superior con un paño limpio.
7. Tenga cuidado en caso de lluvia, verifique que el nivel del agua no sea superior al esperado. Si es así, DEBE DESCARGAR EL EXCESO DE AGUA.
8. Si llueve, verifique que el nivel del agua no sea superior al nivel especificado. Si el agua excede los niveles especificados, drene la piscina al nivel especificado.

Un mantenimiento adecuado puede maximizar la vida útil de su piscina.

Durante la temporada de uso de la piscina, el sistema de filtración debe ponerse necesariamente en servicio todos los días, tiempo suficiente para asegurar al menos una renovación completa del volumen de agua.

NOTA: La bomba se usa para hacer circular el agua y para filtrar partículas pequeñas. Para mantener el agua de su piscina limpia e higiénica, también debe agregar productos químicos.

Reparación

En el caso de una fuga, repare su piscina usando el parche de reparación adhesivo subacuático provisto. Puede encontrar las instrucciones en Preguntas frecuentes en la sección de soporte de nuestro sitio web, www.bestwaycorp.com.

Desmontaje

1. Desenrosque el tapón de la válvula de drenaje en la parte exterior de la piscina en sentido anti-horario y sáquelo.
 2. Conecte el adaptador a la manguera y ponga el otro extremo de la manguera en el área donde desee drenar su piscina. (Compruebe la legislación local para saber si existen ordenanzas municipales acerca del drenaje).
 3. Enrosque el anillo de control del adaptador de la manguera en la válvula de drenaje en sentido horario. La válvula de drenaje estará abierta y el agua comenzará a salir automáticamente.
ATENCIÓN: El flujo del agua puede controlarse con el anillo de control.
 4. Cuando el drenaje haya acabado, destornille el anillo de control para cerrar la válvula.
 5. Desconecte la manguera.
 6. Enrosque el tapón otra vez en la válvula de drenaje.
 7. Airee la piscina para secarla.
- ATENCIÓN:** No deje la piscina ya vacía en el exterior.

Almacenamiento

1. Quite todos los accesorios y piezas de recambio de la piscina y guárdelos en un lugar limpio y seco.
2. Cuando la piscina esté completamente seca, espolvoree polvos de talco en la misma para evitar que se pegue, doble la piscina cuidadosamente. Si la piscina no está completamente seca, se creará moho y se dañará el forro de la piscina.
3. Guarde el forro y los accesorios en un lugar seco con una temperatura moderada entre 5°C / 41°F y 38°C / 100°F.
4. Durante la estación de lluvias, la piscina y los accesorios deben guardarse como indicado por las anteriores instrucciones.
5. Un drenaje no adecuado de la piscina puede provocar graves daños personales o daños a las propiedades privadas.

FRAME POOLS

“SPLASH-IN-SHADE” MIT SONNENDACH

BENUTZERHANDBUCH

⚠ ACHTUNG

Vor dem Bau und der Benutzung des Schwimmbeckens werden sämtliche Informationen in dieser Anleitung sorgfältig gelesen, verstanden und befolgt. Diese Warnhinweise, Anleitungen und Sicherheitsrichtlinien umfassen einige allgemeine Risiken in Bezug auf Freizeitbeschäftigung im Wasser, sie können jedoch nicht sämtliche Risiken und Gefährdungen in allen Fällen behandeln. Bei jeglicher Aktivität im Wasser wird Vorsicht, gesunder Menschenverstand und gutes Urteilsvermögen wachen gelassen. Diese Angaben werden für die spätere Nutzung aufbewahrt.

Sicherheit von Nichtschwimmern

- Es ist jederzeit eine ständige, aktive und wachsame Beaufsichtigung schwacher Schwimmer und Nichtschwimmer durch eine sachkundige erwachsene Aufsichtsperson erforderlich (es wird daran erinnert, dass das größte Risiko des Ertrinkens bei Kindern unter 5 Jahren besteht).
- Es wird eine sachkundige erwachsene Person bestimmt, die das Becken überwacht, wenn es benutzt wird.
- Schwache Schwimmer oder Nichtschwimmer sollten persönliche Schutzausrüstung tragen, wenn sie ins Schwimmbecken gehen.
- Wenn das Schwimmbecken nicht benutzt oder überwacht wird, werden sämtliche Spielsachen aus dem Schwimmbecken und seiner Umgebung entfernt, um zu verhindern, dass Kinder davon angezogen werden.

Sicherheitsvorrichtungen

- Um das Ertrinken von Kindern zu verhindern, wird empfohlen, den Zugang zum Schwimmbecken mit einer Schutzvorrichtung zu sichern. Um Kinder vom Klettern über das Einlass- und Auslassventil abzuhalten, Es wird empfohlen, eine Absperrung zu errichten (und sämtliche Türen und Fenster zu sichern, sofern zutreffend), um unberechtigten Zutritt zum Schwimmbecken zu vermeiden.
- Absperrungen, Beckenabdeckungen, Alarmanlagen oder ähnliche Sicherheitsvorrichtungen sind sinnvolle Hilfsmittel, ersetzen jedoch keine ständige und sachkundige Überwachung durch erwachsene Personen.

Sicherheitsausrüstung

- Es wird empfohlen, Rettungsausrüstung (z. B. einen Rettungsring) in der Nähe des Beckens aufzubewahren.
- Ein funktionierendes Telefon und eine Liste von Notrufnummern werden in der Nähe des Schwimmbeckens aufbewahrt.

Sichere Nutzung des Schwimmbeckens

- Sämtliche Nutzer, insbesondere Kinder, werden dazu ermuntert, schwimmen zu lernen.
- Erste Hilfe (Herz-Lungen-Wiederbelebung) erlernen und diese Kenntnisse regelmäßig auffrischen. Das kann bei einem Notfall einen lebensrettenden Unterschied ausmachen.
- Sämtliche Beckenbenutzer, einschließlich Kinder, anweisen, was in einem Notfall zu tun ist.
- Niemals in flaches Wasser springen. Das kann zu schweren Verletzungen oder zum Tode führen.
- Das Schwimmbecken nicht benutzen, wenn man unter dem Einfluss von Alkohol oder Medikamenten steht, welche die Fähigkeit zur sicheren Nutzung des Beckens beeinträchtigen können.
- Beckenabdeckungen vor dem Betreten des Schwimmbeckens vollständig von der Wasseroberfläche entfernen, wenn sie verwendet werden.
- Die Nutzer des Schwimmbeckens werden vor durch das Wasser verbreiteten Krankheiten geschützt, indem das Wasser stets aufbereitet und hygienisch unbedenklich gehalten wird. Die Richtlinien zur Wasseraufbereitung in der Gebrauchsanleitung werden zu Rate gezogen.
- Chemikalien (z. B. Produkte für die Wasseraufbereitung, Reinigung oder Desinfektion) außerhalb der Reichweite von Kindern aufbewahren.
- Die nachstehenden Zeichen werden verwendet. Die Zeichen sind an einer gut sichtbaren Stelle innerhalb von 2 000 mm in der Nähe des Schwimmbeckens anzubringen.



Kinder im Wasser und der Wasserumgebung stets beaufsichtigen. Nicht springen

- Abnehmbare Leitern sind auf einer waagerechten Fläche anzuordnen.
- Zugängliche Flächen müssen regelmäßig überprüft werden, um Verletzungen zu vermeiden, unabhängig von den für den Bau des Schwimmbeckens verwendeten Materialien.
- Prüfen Sie regelmäßig Bolzen und Schrauben; entfernen Sie Späne, Spreißel sowie sämtliche scharfen Kanten, um Verletzungen zu vermeiden.
- **ACHTUNG:** Lassen Sie den entleerten Pool nicht im Freien. Der leere Pool neigt dazu, durch den Wind verformt und/oder verschoben zu werden.
- Wenn Sie über eine Filterpumpe verfügen, beachten Sie die Anweisungen des Filterpumpen-Handbuchs.
- **ACHTUNG!** Die Pumpe darf nicht betrieben werden, wenn sich Menschen im Pool aufhalten!
- Wenn Sie über eine Leiter verfügen, beachten Sie die Anweisungen des Leiter-Handbuchs.
- **ACHTUNG!** Die Verwendung eines Schwimmbecken-Bausatzes setzt voraus, dass er mit den Sicherheitsvorschriften übereinstimmt, die in der Betriebs- und Wartungsanleitung beschrieben sind. Um ein Ertrinken oder andere ernsthafte Verletzungen zu verhindern, wird besondere Aufmerksamkeit darauf gerichtet, den Zugang zum Schwimmbecken zu sichern, da sich Kinder unter 5 Jahren unerwartet Zugang zum Schwimmbecken verschaffen können, und beim Baden werden die Kinder ununterbrochen von einer erwachsenen Aufsichtsperson beaufsichtigt.

Bitte sorgfältig lesen und für späteres Nachschlagen aufbewahren.

Die Montage durch 2-3 Personen erfordert in der Regel etwa 20 Minuten, exklusive ggf. erforderlicher Bodenarbeiten und Befüllung.

WÄHLEN SIE EINE GEEIGNETE STELLE AUS

WICHTIG: Der Pool muss auf einer vollkommen flachen und ebenen Oberfläche aufgestellt werden. Installieren Sie den Pool nicht, wenn die Oberfläche geneigt oder abschüssig ist.

Erforderliche Voraussetzungen für den Aufbau des Pools:

- Der gewählte Bereich muss geeignet sein, das vollständige Gewicht über die gesamte Nutzungsdauer nach dem Aufbau des Pools zu tragen. Weiterhin muss der Untergrund eben sowie frei von Gegenständen und Verunreinigungen sein, inklusive Steinen und Zweigen.
- Wir empfehlen die Aufstellung in ausreichender Entfernung von Objekten, mit deren Hilfe Kinder in den Pool klettern könnten.
- **HINWEIS:** Stellen Sie den Pool in der Nähe eines geeigneten Abflusssystems auf, um

überlaufendes Poolwasser aufzufangen oder den Pool zu entleeren.

HINWEIS: Stellen Sie den Pool in der Nähe einer Steckdose mit einer Fehlerstrom-Schutzeinrichtung (RCD) auf.

Ungeeignete Voraussetzungen für den Aufbau des Pools:

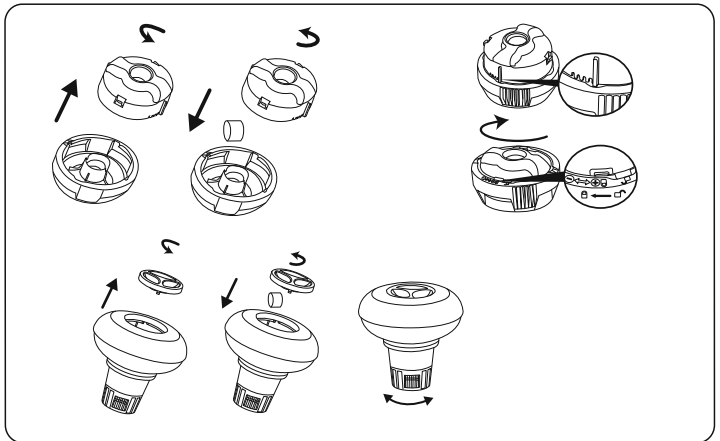
- Der Aufbau auf unebenem Untergrund kann zum Einstürzen des Pools und zu ernsthaften Verletzungen und / oder Sachschäden sowie zum Verlust jeglicher Garantie- und Service-Ansprüche führen.
- Es darf kein Sand verwendet werden, um einen ebenen Untergrund zu schaffen; der Untergrund muss ausgegraben werden, wenn erforderlich.
- Direkt unter Freileitungen oder Bäumen auf. Vergewissern Sie sich, dass der Bereich keine unterirdischen Versorgungsrohre, Leitungen oder Kabel jeglicher Art enthält.
- Stellen Sie den Pool nicht auf Zufahrtswegen, Veranden, Podesten, Kies- oder Asphalt-Oberflächen auf. Der gewählte Bereich muss dem Gewicht des Wassers standhalten; Schlamm, Sand, weicher / lockerer Erdboden oder Teer sind nicht geeignet.
- Rasen oder andere Vegetation wird unter dem Pool nicht absterben, wodurch es zu Geruchs- und Schleimbildung kommen kann. Wir empfehlen daher, sämtliches Gras vor der Aufstellung aus dem gewählten Bereich zu entfernen.
- Vermeiden Sie Aufstellorte mit aggressiven Pflanzen und Gräsern, die durch die Poolfolie wachsen könnten.
- **HINWEIS:** Informieren Sie sich bei Ihrer örtlichen Stadtverwaltung über Verordnungen bezüglich Einzäunung, Absperrung, Beleuchtung sowie Sicherheitsvorschriften und stellen Sie die Einhaltung aller Gesetze sicher.
- **HINWEIS:** Wenn Sie über eine Filterpumpe verfügen, beachten Sie die Anweisungen des Filterpumpen-Handbuchs.
- **HINWEIS:** Die Leiter muss für die Poolgröße geeignet sein und darf nur zum Betreten und Verlassen des Pools benutzt werden. Es ist untersagt, die zulässige Tragkraft der Leiter zu überschreiten. Prüfen Sie in regelmäßigen Abständen, ob die Leiter ordnungsgemäß montiert ist.

Poolwartung

Bei Nichtbeachtung der unten stehenden Wartungsanweisungen besteht Gefahr für Ihre Gesundheit, vor allem für die Ihrer Kinder.

Einsatz von Chemikalien-Tabletten (nicht enthalten):

BITTE BEACHTEN: Warten Sie Ihren Pool mit Chemikalien in Tablettenform, verwenden Sie unbedingt einen Dosierschwimmer oder Chemconnect Chemikaliendosierer. Enthält der von Ihnen erworbene Artikel keinen solchen Dosierer, können Sie ihn über unsere Webseite www.bestwaycorp.com oder bei einem entsprechenden Fachhändler in Ihrer Nähe kaufen.



WICHTIG: Verwenden Sie keine Granulat-Tabletten und werfen Sie keine Tabletten direkt ins Wasser. Die Chemikalien können sich am Boden absetzen, das Material beschädigen und das PVC verfärben.

Einsatz von Flüssigchemikalien (nicht enthalten):

WICHTIG: Geben Sie Flüssigchemikalien in kleinen Mengen in die Mitte des Pools, um den direkten Kontakt von Chemikalien und PVC-Oberfläche zu vermeiden. Direkter Kontakt kann das Material beschädigen und die Oberfläche verfärben.

BITTE BEACHTEN: Entfernen Sie den Chemikaliendosierer aus dem Pool, während Sie den Pool verwenden.

WICHTIG: Nach der Wartung des Pools mit Chemikalien verwenden Sie ein Testset (nicht enthalten), um die chemische Zusammensetzung des Wassers zu testen, bevor Sie den Pool verwenden. Wir empfehlen die Pflege Ihres Poolwassers entsprechend der folgenden Tabelle.

Parameter	Werte
Klarheit des Wassers	Klare Sicht auf den Poolboden
Farbe des Wassers	Es sollte keine Färbung erkennbar sein
Trübung in FNU/NTU	max. 1,5 (möglichst geringer als 0,5)
Nitratkonzentration über der des Füllwassers in mg/l	max. 20
Gesamter organischer Kohlenstoff (TOC) in mg/l	max. 4,0
Redoxpotential gegen Ag/AgCl 3,5 m KCl in mV	min. 650
pH-Wert	6,8 bis 7,6
Freies, aktives Chlor (ohne Cyanursäure) in mg/l	0,3 bis 1,5
Freies Chlor in Kombination mit Cyanursäure in mg/l	1,0 bis 3,0
Cyanursäure in mg/l	max. 100
Gebundenes Chlor in mg/l	max. 0,5 (möglichst nahe 0,0 mg/l)

BITTE BEACHTEN: Schäden aus chemischem Ungleichgewicht sind von der Garantie nicht abgedeckt. Poolchemikalien sind potenziell giftig und sind mit Sorgfalt zu behandeln. Chemische Dämpfe sowie fehlerhafte Beschriftung und Lagerung von Chemikalienbehältern stellen ernsthafte Risiken für die Gesundheit dar. Bitte erkundigen Sie sich bei Ihrem örtlichen Fachhändler nach weiteren Informationen zur Anwendung von Poolchemikalien. Beachten Sie die Anweisungen des Chemikalienherstellers genau. Schäden am Pool aus Missbrauch von Chemikalien und falscher Behandlung des Poolwassers sind von der Garantie nicht abgedeckt.

WICHTIG: Durch Überdosierung von Chemikalien können sich der Aufdruck und beliebige Stellen

des Poolmaterials verfärben. Die Poolfolie kann auch strukturellen Schaden nehmen.

So halten Sie Ihren Pool sauber:

1. Kontaktieren Sie Ihren örtlichen Fachhändler für Hinweise und den Kauf von Chemikalien und pH-Sets. Um die Langlebigkeit der Poolfolie zu gewährleisten, ist es besonders wichtig, das Wasser jederzeit in sauberem und gesundem Zustand zu halten. Bitte befolgen Sie die Anweisungen zur Wasserbehandlung mit Chemikalien der Fachleute genau.
2. Halten Sie einen Eimer mit Wasser am Poolrand zum Reinigen der Füße vor der Benutzung des Pools bereit.
3. Wenn Sie den Pool nicht verwenden, decken Sie ihn ab.
4. Schöpfen Sie die Oberfläche des Poolwassers in regelmäßigen Abständen ab, um Schmutzablagerungen zu vermeiden.
5. Überprüfen und reinigen Sie die Filterkartusche in regelmäßigen Abständen.
6. Entfernen Sie vorsichtig Schaumablagerungen unterhalb des oberen Rings mit einem sauberen Tuch.
7. Lassen Sie bitte bezüglich Regenwasser Vorsicht walten und stellen Sie sicher, dass der Wasserstand nicht zu hoch ist. Ist dies der Fall, LASSEN SIE ÜBERSCHÜSSIGES WASSER AB.
8. Stellen Sie bei Regen sicher, dass der Wasserstand nicht höher als angegeben ist. Überschreitet der Wasserstand die Maximalanzeige, lassen Sie das Wasser bis zum angegebenen Füllstand ab.

Fachgerechte Wartung kann die Lebensdauer Ihres Pools verlängern.

Während der Poolsaison ist das Filtersystem täglich in Betrieb zu nehmen, und zwar so lange, bis das Poolwasser mindestens einmal zur Gänze erneuert ist.

BITTE BEACHTEN: Die Pumpe dient der Umwälzung des Wassers und dem Herausfiltern kleinerer Partikel. Damit das Poolwasser sauber und hygienisch einwandfrei bleibt, sind Chemikalien hinzuzufügen.

Reparatur

Sollte ein Loch auftreten, reparieren Sie es mit dem mitgelieferten wasserfesten Reparaturflicken. Hinweise dazu entnehmen Sie den Fragen & Antworten auf unserer Webseite, www.bestwaycorp.com.

Zerlegung

1. Schrauben Sie die Kappe des Abflussventils an der Außenseite des Pools entgegen dem Uhrzeigersinn ab und entfernen Sie sie.
 2. Schließen Sie den Adapter an den Schlauch an und legen Sie das andere Ende des Schlauchs in den Bereich, in dem Sie Ihren Pool ablassen wollen. (Prüfen Sie die lokalen Bestimmungen zum Ablassen gemäß Gesetz).
 3. Schrauben Sie den Kontrollring des Schlauchadapters im Uhrzeigersinn auf das Abflussventil. Das Abflussventil öffnet sich und das Wasser beginnt automatisch abzufießen.
ACHTUNG: Der Wasserfluss kann mit den Kontrollring gesteuert werden.
 4. Schrauben Sie nach dem Ablassen den Kontrollring auf, um das Ventil zu schließen.
 5. Lösen Sie den Schlauch.
 6. Schrauben Sie die Kappe wieder auf das Abflussventil.
 7. Trocknen Sie den Pool an der Luft.
- ACHTUNG:** Lassen Sie den abgelassenen Pool nicht im Freien.

Lagerung

1. Entfernen Sie alles Zubehör und alle Ersatzteile des Pools und bewahren Sie sie sauber und trocken auf.
2. Tragen Sie, sobald der Pool vollständig trocken ist, Talkum-Puder auf, damit die Gewebe nicht aneinander haften und falten Sie den Pool sorgfältig zusammen. Ist der Pool nicht vollständig trocken kann es zu Schimmelbildung und Schäden an der Innenisolierung des Pools kommen.
3. Bewahren Sie die Innenisolierung und das Zubehör an einem trockenen Ort mit gemäßigter Temperatur zwischen 5°C / 41°F und 38°C / 100°F auf.
4. Während der regnerischen Jahreszeit sollten der Pool, das Zubehör und ebenso die Anleitung, wie oben vorgeschrieben, eingelagert werden.
5. Eine nicht korrekte Trockenlegung des Pools kann zu schweren Personenschäden und/ oder zu Beschädigungen des persönlichen Eigentums führen.

AURINKOVARJOLLA VARUSTETTU LEIKKIALLAS KÄYTTÖOPAS

VAROITUS

Lue huolellisesti, ymmärrä ja noudata kaikkia tämän käyttöoppaan tietoja ennen uima-altaan asennusta ja käyttöä. Nämä varoitukset, ohjeet ja turvallisuusohjeet koskevat yleisiä vedessä virkistämisen riskejä, mutta ne eivät pysty kattamaan kaikkia riskejä ja vaaroja kaikissa tapauksissa. Ole aina varovainen, käytä tervettä järkeä ja hyvää arvostelukykä, kun olet vedessä. Säilytä nämä tiedot myöhempiä käyttöä varten.

Uimataidottomien turvallisuus

- Jatkuva, aktiivinen ja tarkkaavainen heikkojen uimareiden tai uimataidottomien valvonta pätevän aikuisen toimesta vaaditaan kaikkina aikoina (muistaen, että alle 5-vuotiaat lapset ovat suurimmassa hukkumisvaarassa).

- Määrää pätevä aikuinen valvomaan altaasta joka kerta, kun sitä käytetään.
- Heikkojen uimareiden tai uimataidottomien tulisi käyttää henkilönsuojalaitteita altaassa.
- Kun allas ei ole käytössä tai se on varjioimaton, poista kaikki lelut altaasta ja sen ympäristöstä, jotta lapsilla ei olisi houkutusta mennä altaalle.

Turvalaitteet

- Jotta lapsia estettäisiin hukkumasta, suosittelemme sulkemaan pääsyn altaalle suojalaitteella. Jotta lapsia estettäisiin kiipeämästä sisään- ja ulostuloventtiiliin, suosittelemme asentamaan esteen (ja lukitsemaan kaikki ovet ja ikkunat, kun sovellettavissa) luvattoman pääsyn estämiseksi altaaseen.

- Reunat, allaspeitteet, allashälyttimet tai vastaavat turvalaitteet ovat hyödyllisiä apuvälineitä, mutta ne eivät korvaa jatkuvaa ja pätevää aikuisen valvontaa.

Turvalaitteisto

- Suosittelemme säilyttämään pelastuslaitteistoa (esim. pelastusrenkas) altaalla.
- Pidä toimiva puhelin ja luettelo hätäpuhelinnumeroista lähellä allasta.

Altaan turvallinen käyttö

- Kannusta kaikkia käyttäjiä, erityisesti lapsia opettelemaan uimaan.
- Opi perusensiapu (paineluelvytys) ja päivitä tätä osaamista säännöllisesti. Tämä voi pelastaa elämän hätätilanteessa.
- Ohjeista kaikkia altaan käyttäjiä, lapset mukaan lukien, mitä tehdä hätätilanteessa
- Älä koskaan sukella altaan matalaan osaan. Tämä voi aiheuttaa vakavan vamman tai kuoleman.
- Älä käytä uima-allasta, kun käytät alkoholia tai lääkitystä, jotka voivat heikentää kykyäsi käyttää altaasta turvallisesti.
- Kun allaspeitteitä käytetään, poista ne kokonaan altaan pinnalta ennen altaaseen menoa.
- Suojaa altaan käyttäjiä veteen liittyviltä sairauksilta pitämällä altaan vesi käsiteltynä ja noudattamalla hyviä hygieniakäytäntöjä. Katso vedenkäsitelyohjeita käyttöoppaasta.
- Säilytä kemikaalit (esim. vedenkäsitely-, puhdistus- tai desinfiointituotteet) pois lasten ulottuvilta.
- Käytä alla esitettyjä opasteita. Opasteet on sijoitettava näkyvälle paikalle enintään 2 m altaasta.



Älä jätä lapsia ilman valvontaa, kun lähistöllä on vettä. Ei sukeltamista.

- Irrottavat tikkaat on sijoitettava tasaiselle pinnalle.
- Riippumatta altaan rakentamiseen käytetyistä materiaaleista, käytettävissä olevat pinnat on tarkastettava säännöllisesti vammojen välttämiseksi.
- Tarkasta pulitit ja ruuvit säännöllisesti. Poista tikut tai muut terävät reunat vammojen välttämiseksi.
- **HUOMIO:** Älä jätä tyhjennettyä allasta ulos. Tyhjä altaan muoto voi vääristyä ja/tai allas voi siirtyä paikaltaan tuulen vuoksi.
- Jos suodatinpumppu asennetaan, noudata pumpun ohjekirjan ohjeita.
- **VAROITUS!** Pumpua ei saa käyttää, kun altaassa on ihmisiä!
- Jos tikkaat asennetaan, noudata tikkaiden ohjekirjan ohjeita.
- **VAROITUS!** Uima-altaan käyttö viittaa käyttö- ja huolto-oppaassa kuvattujen turvallisuusohjeiden noudattamiseen. Hukkuminen tai muiden vakavien vammojen estämiseksi kiinnitä erityistä huomiota alle 5-vuotiaiden lasten odottamattomaan pääsyyn altaalle lukitsemalla pääsy sille, ja uinnin aikana pätevän aikuisen on valvottava heitä jatkuvasti.

Lue nämä tiedot huolellisesti ja säilytä mahdollista tulevaa tarvetta varten.

Asennus kestää yleensä noin 20 minuuttia, kun asennuksessa on mukana 2-3 henkilöä. Aikaan ei lueta mukaan uima-altaan sijoituspaikan maan käsittelyä ja altaan täyttämistä.

VALITSE ASIANMUKAINEN SIOJITUSPAIKKA

TÄRKEÄÄ: Allas on asetettava täysin tasaiselle ja vaakasuoralle pinnalle. Älä asenna allasta, jos pinta on kalteva.

Oikeat olosuhteet altaan asennukseen:

• Valiutin sijainnin on pystyttävä tukemaan tasaisesti painoa koko altaan asennuksen ajan. Lisäksi sijainnin on oltava tasainen ja se on tyhjennettävä kaikista esineistä ja roskista mukaan lukien kivet ja risut.
• Suosittelemme altaan sijoittamista pois sellaisista esineistä, joita lapset voisivat käyttää altaaseen kiipeämiseen.

HUOMAA: Sijoita allas lähelle riittävää viemärijärjestelmää, joka käsittelee ylivuodot tai altaan päästöt.

HUOMAA: Sijoita allas lähelle vikavirtasuojattua verkkovirtapistoketta.

Virheelliset olosuhteet altaan asennukseen:

• Allas voi romahtaa epätasaisella alustalla aiheuttaen vakavia henkilövammoja ja/tai omaisuusvaurioita. Tämä mitätöi takuun ja estää huoltovaatteen.
• Hiekkaa ei saa käyttää tasaisen pohjan luomiseen; alustaa on kaivettava tarvittaessa.
• Suoraan sähkölinjojen tai puiden alle. Varmista, että sijoituspaikka ei sisällä maanalaisia sähkö- ja vesi- tai lämmitysputkia, -letkuja tai kaapeleita.
• Älä asenna allasta ajoteille, kansille, alustoille, sora- tai asfalttipinnoille. Valiutin sijoituspaikan on

oltava riittävän kova kestämään veden painetta. Muta, hiekka, pehmeä/irtonainen maaperä tai piki eivät ole sopivia.

• Ruoho tai muu kasvillisuus altaan alla kuolee ja voi aiheuttaa hajujen tai liejun kehittymistä. Siksi suosittelemme poistamaan kaiken ruohon altaan valitusta sijoituspaikasta.

• Vältä alueita, joilla voi kasvaa aggressiivisia kasveja ja ruohoja, jotka voivat kasvaa vuorauksen läpi.

HUOMAA: Tarkasta paikalliselta rakennusviranomaiselta säännöt, jotka koskevat aitoja, esteitä, valaistusta ja turvavaatimuksia, ja varmista, että noudatat kaikkia lakeja.

HUOMAA: Jos sinulla on suodatinpumppu, lue pumpun käyttöohjeet.

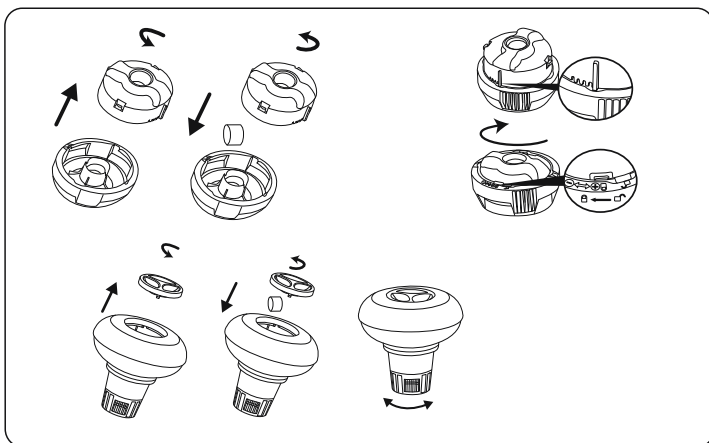
HUOMAA: Tikkaiden on sovittava altaan kokoon, ja niitä saa käyttää vain altaaseen siirtymiseen tai sieltä poistumiseen. Tikkaiden sallitun hyötykuorman ylittäminen on kiellettyä. Tarkasta säännöllisesti, ovatko tikkaat asianmukaisesti koottu.

Altaan huolto

Jos et noudata tässä annettuja kunnonasapito-ohjeita, terveytesi ja erityisesti lapsiesi terveys voi vaarantua.

Kemikaalitablettien käyttäminen (eivät sisälly pakkaukseen)

HUOMAUTUS: Kun allasta huolletaan kemikaalisesti, on käytettävä Chemconnect- tai Chemical Floater -tuotteita. Ostamassasi tuotteessa ei ole välttämättä näitä annostelijoita. Siinä tapauksessa voit ostaa niitä verkkosivustoltamme www.bestwaycorp.com tai lähimmältä altaan jälleenmyyjältä.



TÄRKEÄÄ: Älä käytä kide-tabletteja tai heitä tabletteja suoraan veteen. Kemikaalit voivat asettua pohjalle, vahingoittaa materiaalia ja haalistaa PVC-muovia.

Kemikaalinesteen käyttäminen (ei sisälly pakkaukseen):

TÄRKEÄÄ: Lisää kemikaalinestettä pienissä annoksissa ja altaan keskelle, jotta kemikaalit eivät kosketa suoraan PVC-muovin pintaa. Suora kosketus voi vahingoittaa materiaalia ja haalistaa pintaa.

HUOMAUTUS: Poista kemikaalinestelijä altaasta, kun allas on käytössä.

TÄRKEÄÄ: Testaa veden kemiallinen koostumus testisarjalla (ei sisälly toimitukseen), sen jälkeen kun kemikaaleja on lisätty veteen ja ennen kuin allasta käytetään. Suosittelemme pitämään veden kemiallisen koostumuksen seuraavan taulukon mukaan.

Parametrit	Arvot
Veden kirkkaus	selkeä näkyvyys altaan pohjaan
Veden väri	mitään väriä ei tulisi havaita
Sameus FNU/NTU:ssa	maks. 1,5 (mieluiten alle 0,5)
Nitratipitoisuus enemmän kuin täyttövädessä mg/l	maks. 20
Orgaanisen hiilen kokonaismäärä (TOC) mg/l	maks. 4,0
Redoksipotentiaali vastaan Ag/AgCl 3,5 m KCl mV:ssä	väh. 650
pH-arvo	6,8–7,6
Vapaa aktiivinen kloori (ilman syanurihappoa) mg/l	0,3–1,5
Vapaa kloori käytettynä yhdessä syanurihapon kanssa mg/l	1,0–3,0
Syanurihappo mg/l	maks. 100
Yhdistetty kloori mg/L	maks. 0,5 (mieluiten lähellä 0,0 mg/l)

HUOMAUTUS: Takuu ei kata kemiallisesta epätasapainosta aiheutuvia vahinkoja. Allaskemikaalit ovat periaatteessa myrkyllisiä ja niitä tulisi käsitellä varoen. Kemialliset kaasut ovat vakava terveysrisikki. Myös virheelliset etiketit ja kemiallisia aineita sisältävien säiliöiden virheellinen varastointi voivat olla vakavia terveysriskejä. Lisätietoja veden kemiallisen tasapainon ylläpitämisestä saat paikalliselta uima-allastuotteiden jälleenmyyjältä. Seuraa tarkasti kemikaalien valmistajan ohjeita. Takuu ei kata vahinkoja, jotka ovat aiheutuneet kemikaalien väärinkäytöstä ja altaan veden vääränlaisesta huollosta.

TÄRKEÄÄ: Kemikaalien liiallinen käyttö voi muuttaa painatuksen väriä ja kaikkia allasmateriaalin kohtia. Se voi myös vahingoittaa altaan vuorauksen rakennetta.

Altaan pitämisen puhtaana:

1. Kysy ohjeita paikalliselta allastuotteiden jälleenmyyjältä, jolta voit hankkia myös kemikaaleja ja pH-sarjoja. Yksi tärkeimmistä tekijöistä vuorauksen käyttöajan pidentämiseksi on veden pitäminen puhtaana ja terveellisenä. Noudata tiukasti ammattilaisten ohjeita vedenkäsitteystä kemikaalien avulla.

2. Laita vesiämpäri altaa viereen, jotta käyttäjät voivat puhdistaa jalkansa ennen altaaseen menoa.
3. Peitä allas, kun sitä ei käytetä.
4. Puhdista altaan pinta säännöllisesti, jotta likaa ei pääse kertymään.
5. Tarkista ja pese vesipatruuna säännöllisesti.
6. Puhdista hellävaraisesti ylärenkaan alla mahdollisesti oleva vaahto puhtaalla liinalla.
7. Tarkkaile tilannetta huolellisesti vesisateen yhteydessä. Tarkista, että veden taso ei nouse oletettua korkeammaksi. Jos näin käy, LIIKA VESI ON POISTETTAVA.
8. Jos sataa, tarkista, ettei veden pinta ole korkeammalla kuin ohjeiden mukaisella tasolla. Jos veden pinta ylittää ohjeiden mukaisen tason, tyhjennä allasta ohjeiden mukaiselle tasolle.

Asianmukainen huolto voi pidentää uima-altaan käyttöikä.

Uima-altaan käyttökauden aikana suodatusjärjestelmää on käytettävä päivittäin. Käytä sitä riittävän aikaa, jotta vesimäärä vaihtuu vähintään kerran kokonaan.

HUOMAUTUS: Pumppua käytetään kierrättämään vettä ja suodattamaan pienhiukkaset. Altaan veden pitämiseksi puhtaana ja hygieenisenä siihen on lisättävä kemikaaleja.

Korjaus

Mikäli vuotoja on, paikkaa altaasi käyttämällä mukana toimitettua vedessä käytettävää korjauspaikkaa. Usein kysytyjä kysymyksiä löytyy verkkosivustomme www.bestwaycorp.com tukisivulta.

Purkaminen

1. Avaa tyhjennysventtiiliin korkki altaan ulkopuolella kiertämällä vastapäivään ja irrota se.
2. Liitä puutarhaletkun toinen pää letkusovittimeen ja sijoita letkun toinen pää valittuun tyhjennyskohtaan. (Tarkista paikalliset vesimääräykset).
3. Kierrä letkusovittimen ohjausrenkas kiinni tyhjennysventtiiliin myötäpäivään. Tyhjennysventtiili avautuu ja vesi alkaa tyhjentyä automaattisesti.

HUOMAA: Veden virtausta voidaan hallita ohjausrenkaan avulla.

4. Kun tyhjentäminen on valmis, sulje venttiili kiertämällä ohjausrenkas irti.

5. Irrota letku.

6. Kierrä korkki takaisin tyhjennysventtiiliin.

7. Anna altaan kuivua.

HUOMAA: Älä jätä tyhjentynyttä allasta ulos.

Säilytys

1. Poista kaikki altaan lisävarusteet ja varaosat ja varastoi ne puhtaina ja kuivina.
2. Kun allas on täysin kuiva, sirottele talkkijauhetta, jotta altaan osat eivät tartu toisiinsa, ja laskosta allas huolellisesti. Jos allas ei ole täysin kuiva, home voi vahingoittaa vuorausta.
3. Varastoi vuoraus ja lisävarusteet kuivaan paikkaan huonelämpötilaan 5°C:n / 41°F - 38°C:n / 100°F.
4. Sadekauden aikana allas ja lisävarusteet pitäisi varastoida edellä kuvatulla tavalla.
5. Altaan väärä tyhjennys voi aiheuttaa vakavia henkilö- ja /tai omaisuusvahinkoja.

SPLASH-IN-SCHADUW SPEELZWEMBAD GEBRUIKERS HANDLEIDING

⚠ WAARSCHUWING

Lees, begrijp en volg zorgvuldig alle informatie in deze gebruikershandleiding vooraleer het zwembad te installeren en te gebruiken. Deze waarschuwingen, instructies en veiligheidsrichtlijnen gaan over sommige courante risico's van waterrecreatie, maar ze omvatten niet alle risico's en gevaren in alle gevallen. Wees altijd voorzichtig en gebruik gezond verstand en beoordelingsvermogen wanneer u van wateractiviteiten geniet. Bewaar deze informatie voor toekomstig gebruik.

Veiligheid van niet-zwemmer

- Continu, actief en waakzaam toezicht van zwakke zwemmers en niet-zwemmers door een competente volwassene is altijd vereist (denk eraan dat kinderen onder de vijf jaar oud het hoogste risico op verdrinking lopen).

- Duid een competente volwassene aan om toezicht te houden op het zwembad telkens wanneer het gebruikt wordt.

- Zwakke zwemmers of niet-zwemmers zouden persoonlijke beschermingsuitrusting moeten dragen wanneer ze het zwembad gebruiken.

- Wanneer het zwembad niet in gebruik is of er geen toezicht is, verwijder alle speelgoed uit het zwembad en zijn omgeving om te vermijden kinderen aan te trekken naar het zwembad.

Veiligheidsmiddelen

- Ten einde verdrinking van kinderen te vermijden, is het aanbevolen om de toegang tot het zwembad te beveiligen met een beschermingselement. Ten einde te voorkomen dat kinderen van de invoer- en afvoerklappen klimmen, is het aanbevolen een barrière te installeren (en alle deuren en vensters waar van toepassing te beveiligen) om onbevoegde toegang tot het zwembad te voorkomen.

- Barrières, zwembadafdekkingen, zwembadalmen of gelijkaardige veiligheidsmiddelen zijn nuttige hulpmiddelen, maar het zijn geen vervangingen voor een continu en competent toezicht door volwassenen.

Veiligheidsapparatuur

- Het is aanbevolen om reddingsapparatuur (bijv. een ring-boei) nabij het zwembad te hebben.

- Houd ook een werkende telefoon en een lijst met noodnummers nabij het zwembad.

Veilig gebruik van het zwembad

- Moedig alle gebruikers vooral kinderen aan om te leren zwemmen.

- Leer om te reanimeren (cardiopulmonaire reanimatie - CPR) en vernieuw deze kennis regelmatig. Dit kan een levensreddend verschil uitmaken in een noodgeval.

- Onderricht alle zwembadgebruikers, inbegrepen kinderen, wat te doen in een noodgeval

- Duik nooit in ondiep water. Dit kan leiden tot ernstige verwondingen of tot de dood.

- Gebruik het zwembad niet wanneer u alcohol of medicatie gebruikt die uw vermogen om het zwembad veilig te gebruiken, zou kunnen aantasten.

- Wanneer zwembadafdekkingen gebruikt worden, verwijder deze volledig uit het wateroppervlak voor u in het zwembad gaat.

- Bescherm de zwembadgebruikers tegen met water verband houdende ziekten door het zwembadwater behandeld te houden en goede hygiëne in acht te nemen. Raadpleeg de richtlijnen voor waterbehandeling in de gebruikershandleiding.

- Bewaar chemicaliën (bijv. voor waterbehandeling of reinigings- en ontsmettingsproducten) buiten het bereik van kinderen.

- Gebruik de aanduidingsborden zoals hieronder aangegeven. Er moeten aanduidingsborden staan in een prominente positie binnen de 2m van het zwembad.



Houd de kinderen onder toezicht in de wateromgeving. Niet duiken.

- Er moeten verwijderbare ladders staan op een horizontaal oppervlak.

- Ongeacht de gebruikte materialen voor de zwembadconstructie, moeten de toegankelijke oppervlakken regelmatig gecontroleerd worden om verwondingen te vermijden.

- Controleer regelmatig bouten en schroeven, verwijder splinters of andere scherpe randen om verwondingen te vermijden.

- **AANDACHT:** Laat het leeggelopen zwembad niet buiten staan. Het lege zwembad kan vervormd en/of verplaatst worden omwille van de wind.

- Als u een filterpomp hebt, raadpleeg de handleiding van de pomp voor instructies.

- **WAARSCHUWING!** De pomp kan niet worden gebruikt wanneer er zich mensen in het zwembad bevinden!

- Als u een ladder hebt, raadpleeg de handleiding van de ladder voor instructies.

- **WAARSCHUWING!** Het gebruik van een zwembadkit impliceert het naleven van de veiligheidsinstructies beschreven in de gebruiks- en onderhoudshandleiding. Ten einde verdrinking of andere ernstige verwondingen te vermijden, moet u bijzondere aandacht verlenen aan de mogelijkheid van een onverwachte toegang tot het zwembad door kinderen jonger dan 5 jaar door de toegang ertoe te beveiligen en de kinderen tijdens het zwemmen voortdurend onder toezicht te houden van volwassenen.

Zorgvuldig lezen en bewaren voor toekomstige referentie.

De installatie vergt meestal ongeveer 20 minuten met 2-3 mensen exclusief grondwerken en vullen.

KIES DE CORRECTE LOCATIE

BELANGRIJK: Het zwembad moet op een volledig vlak en effen oppervlak opgesteld worden. Stel het zwembad niet op als de ondergrond heft of oneffen is.

Correcte omstandigheden om het zwembad op te zetten:

• De geselecteerde locatie moet in staat zijn tot het uniform ondersteunen van het gewicht gedurende de hele tijd dat het zwembad geïnstalleerd is. Bovendien moet de locatie plat zijn en vrij van voorwerpen en rommel, zoals bijvoorbeeld steentjes en takjes.

• Wij adviseren het zwembad te plaatsen op een afstand van voorwerpen die kinderen kunnen gebruiken om in het zwembad te klimmen.

OPMERKING: Plaats het zwembad bij een goed afwateringssysteem, zodat het water kan overlopen of het zwembad geleegd kan worden.

OPMERKING: Plaats het zwembad dichtbij een AC netstroomvoorziening beschermd door een

aardlekschakelaar

Incorrecte omstandigheden om het zwembad op te zetten:

• Op een oneffen ondergrond kan het zwembad omslaan, met persoonlijk letsel en/of schade aan eigendommen tot gevolg. Bovendien vervalt hierdoor de garantie en serviceaanvragen.

• Zand mag niet gebruikt worden om een ondergrond te creëren; indien nodig moet de grond moet worden uitgegraven.

• Direct onder hoogspanningsleidingen of bomen. Zorg ervoor dat de locatie geen ondergrondse pijpleidingen, bedradingen of welk soort kabels dan ook bevat.

• Zet het zwembad niet op op opritten, bootdekken, platforms, of op grind of asfalt. De gekozen locatie moet stevig genoeg zijn om de druk van het water aan te kunnen; modder, zand, zachte of losse aarde of teer zijn niet geschikt.

• Gras of andere vegetatie onder het zwembad gaat dood en kan stank veroorzaken en slijm ontwikkelen. Daarom adviseren wij al het gras te verwijderen van de gekozen zwembadlocatie.

• Vermijd terreinen waarop agressieve planten- en onkruidsoorten groeien die door de zwembadbekleding heen kunnen komen.

OPMERKING: Controleer bij uw plaatselijke gemeente of er regelgevingen zijn voor schuttingen/afscheidings/ belichting en veiligheidsvoorschriften en zorg ervoor dat u met geen enkele van deze regelgevingen in overtreding bent.

OPMERKING: Als u een filterpomp heeft, zie dan de handleiding van de pomp voor instructies.

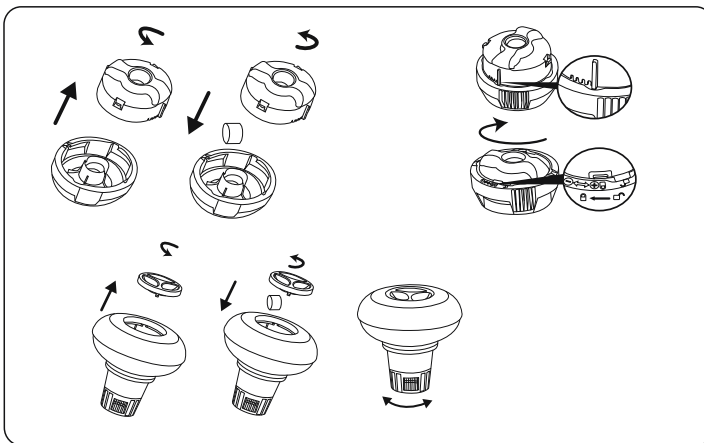
OPMERKING: De ladder moet overeenkomen met de afmeting van het zwembad en mag alleen gebruikt worden om in en uit het zwembad te gaan. Het is verboden om de nuttige belasting van de trap te overschrijden. Controleer regelmatig of de trap goed is gemonteerd.

Zwembadonderhoud

Als u zich niet houdt aan de onderstaande onderhoudsrichtlijnen, kan uw gezondheid, en met name die van uw kinderen, gevaar lopen.

Gebruik van chemische tabletten (niet inbegrepen):

OPMERKING: Chemconnect of Chemical Floater moeten worden gebruikt wanneer u chemisch onderhoud met tabletten uitvoert. Het door u aangekochte artikel mag geen van deze dispensers bevatten, in dit geval kunt u hem aanschaffen via onze website www.bestwaycorp.com of bij het dichtstbijzijnde zwembadverkooppunt.



BELANGRIJK: Gebruik geen korreltabletten en gooi de tablet niet direct in het water. De chemicaliën kunnen op de bodem gaan zitten en het materiaal beschadigen en het PVC ontkleuren.

Gebruik van chemische vloeistoffen (niet inbegrepen):

BELANGRIJK: Voeg chemische vloeistof in kleine doses en in het midden van het zwembad toe om direct contact tussen chemicaliën en het PVC-oppervlak te vermijden. Direct contact kan het materiaal beschadigen en het oppervlak ontkleuren.

OPMERKING: Verwijder de chemicaliëndoseerder uit het zwembad wanneer het zwembad in gebruik is.

BELANGRIJK: Na het uitvoeren van chemisch onderhoud en voor het gebruik van het zwembad, gebruik een testkit (niet inbegrepen) om de waterchemie te testen. Wij adviseren het water te behouden zoals in de onderstaande tabel.

Parameters	Waarden
Waterhelderheid	duidelijk zicht van de bodem van het zwembad
Kleur van het water	er mag geen kleur worden geobserveerd
Turbiditeit in FNU/NTU	max. 1,5 (bij voorkeur minder dan 0,5)
Nitratconcentratie boven die van vulwater in mg/l	max. 20
Totaal organische koolstof (TOC) in mg/l	max. 4,0
Redoxpotentiaal tegen Ag/AgCl 3,5 m KCl in mV	min. 650
pH-waarde	6,8 tot 7,6
Vrij werkzaam chloor (zonder cyaanuurzuur) in mg/l	0,3 tot 1,5
Vrij werkzaam chloor in combinatie met cyaanuurzuur in mg/l	1,0 tot 3,0
Cyanuurzuur in mg/l	max. 100
Gecombineerd chloor in mg/l	max. 0,5 (bij voorkeur dicht bij 0,0 mg/l)

OPMERKING: Schade tengevolge van chemische onevenwichtigheid is niet gedekt door de garantie. Zwembadchemicaliën zijn potentieel giftig en moeten met zorg gehanteerd worden. Er zijn ernstige gezondheidsrisico's van chemische dampen de het incorrecte labelen en bewaren van chemische containers. Consulteer uw plaatselijke zwembadleverancier voor meer informatie over chemisch onderhoud. Volg nauwgezet de instructies van de fabrikant van de chemicaliën. Schade aan het zwembad tengevolge van het verkeerd gebruik van chemicaliën en verkeerd beheer van het zwembadwater is niet gedekt door de garantie.

BELANGRIJK: Overgebruik van chemicaliën kan de print en alle punten van het zwembadmateriaal doen verkleuren. Het kan ook de structuur van de zwembadbekleding beschadigen.

Het zwembad schoon houden

1. Neem contact op met uw plaatselijke zwembadverkooppunt voor advies en aankoop van chemicaliën en PH-kits. Een van de belangrijkste factoren om de levensduur van de bekleding te

- doen toenemen is het water steeds schoon en gezond te houden. Volg daarom de instructies van professionele technici strikt op voor de waterbehandeling middels het gebruik van chemicaliën.
2. Plaats een emmer water naast het zwembad om de voeten van de gebruikers mee te wassen voordat ze het zwembad in stappen.
 3. Dek het zwembad af wanneer het niet in gebruik is.
 4. Skim het oppervlak van het zwembadwater regelmatig om vuilafzetting te voorkomen.
 5. Controleer en spoel het filterpatroon regelmatig.
 6. Maak van onder de bovenste ring zachtjes schoon en haal eventueel vuil weg met een schone doek.
 7. Wees voorzichtig in geval van regenwater, controleer of het waterniveau niet hoger is dan verwacht. Indien dit het geval is, HET OVERTOLLIGE WATER AFVOEREN.
 8. Als het regent, controleer dat het waterniveau niet hoger is dan het opgegeven niveau. Als het waterniveau het opgegeven niveau overschrijdt, voer dan water af tot het opgegeven niveau bereikt is.

Correct onderhoud kan de levensduur van uw zwembad maximaliseren.

Tijdens het seizoen waarin het zwembad gebruikt wordt, moet het filtersysteem noodzakelijkerwijs elke dag worden gebruikt, lang genoeg om ten minste een complete verversing van het hele watervolume te garanderen.

OPMERKING: De pomp wordt gebruikt om het water te circuleren en om de kleine deeltjes te filteren . U moet ook chemicaliën toevoegen om uw water proper en hygiënisch te houden.

Repareren

In het geval van een lek, repareer uw zwembad met behulp van de bijgeleverde heavy-duty reparatiepatch voor onderwater. U kunt de instructies in de FAQ vinden in de supportafdeling van onze website, www.bestwaycorp.com

Demonteren

1. Draai de dop van de drainageklep aan de buitenzijde van het zwembad rechtsom open en verwijder de dop.
2. Sluit de adapter aan op de tuinslang en schik het ander uiteinde in de zone waar u het water wilt laten afvloeien. (Controleer de lokale regelgeving voor een wettelijke drainage).
3. Draai de regelring van de slangadapter op de drainageklep rechtsom. De drainageklep is nu open en het water zal automatisch afvloeien.

OPGELET: De waterstroom kan geregeld worden met de regelring.

4. Na de drainage, wordt de regelring losgedraaid om e klep te sluiten.
5. Koppel de slang los.
6. Draai de dop weer op de drainageklep.
7. Laat het zwembad drogen aan de lucht.

OPGELET: Laat het leeg zwembad niet buiten staan.

Opbergen

1. Verwijder alle accessoires en onderdelen uit het zwembad en bewaar ze op een schone en droge plaats.
2. Wanneer het zwembad volledig droog is, wordt er talkpoeder op aangebracht om te voorkomen dat de wanden gaan samenkleven. Het zwembad vervolgens zorgvuldig opvouwen. Als het zwembad niet volledig droog is, kan schimmel ontstaan dat de voering van net zwembad beschadigt.
3. Bewaar de voering en accessoires op een droge plaats op een gematigde temperatuur tussen 5°C / 41°F en 38°C / 100°F.
4. In het regenseizoen moeten het zwembad en de accessoires opgeslagen worden zoals hierboven vermeld.
5. Een onjuiste lediging van het zwembad kan ernstige persoonlijke verwondingen en/of schade aan de persoonlijke eigendom veroorzaken.

PISCINA PER BAMBINI "TUFFI ALL'OMBRA" MANUALE D'USO

⚠ AVVERTENZA

Leggere attentamente, comprendere e seguire tutte le informazioni in questo manuale prima di installare ed utilizzare la piscina. Queste avvertenze, istruzioni e linee guida di sicurezza trattano alcuni rischi comuni dello svago in acqua, ma non possono coprire tutti i rischi e pericoli in tutti i casi. Fare sempre attenzione e usare buon senso e giudizio durante i giochi in piscina. Conservare questo opuscolo per futuri riferimenti.

Sicurezza dei non nuotatori

È necessaria la sorveglianza continua, attiva e vigile dei nuotatori poco esperti e non nuotatori da parte di un adulto competente (ricordando che i bambini sotto i cinque anni sono a più alto rischio di annegamento).

- Designare un adulto competente che sorvegli la piscina ad ogni utilizzo.
- I nuotatori poco esperti e i non nuotatori devono indossare dispositivi di protezione individuale durante l'uso della piscina.
- Quando la piscina è inutilizzata o non sorvegliata, rimuovere tutti i giocattoli dalla piscina e dai suoi dintorni per evitare di attirare i bambini verso la piscina.

Dispositivi di sicurezza

Per evitare il rischio di annegamento dei bambini, si raccomanda di proteggere l'accesso alla piscina con un dispositivo di sicurezza. Al fine di evitare che i bambini si arrampichino dalla valvola di ingresso e di uscita, si raccomanda di installare una barriera (e proteggere tutte le porte e le finestre, se possibile) per impedire l'accesso non autorizzato alla piscina.

Barriere, coperture e allarmi per piscine, o simili dispositivi di sicurezza sono utili, ma non possono sostituire la sorveglianza continua e competente di un adulto.

Attrezzatura di sicurezza

- Si raccomanda di tenere le attrezzature di sicurezza (ad es. galleggianti) in prossimità della piscina.

- Tenere un telefono funzionante e un elenco di numeri di emergenza vicino alla piscina.

Uso sicuro della piscina

- Incoraggiare tutti gli utenti e in particolare i bambini ad imparare a nuotare.
- Imparare le tecniche di primo soccorso (rianimazione cardiopolmonare - RCP) e aggiornare regolarmente le proprie conoscenze. Ciò può fare la differenza e salvare vite umane in caso di emergenza.
- Informare tutti gli utenti della piscina, compresi i bambini, delle procedure da adottare in caso di emergenza.
- Non tuffarsi in bacini d'acqua poco profondi. Ciò potrebbe causare lesioni gravi, anche fatali.
- Non usare la piscina se sono stati assunti alcol o farmaci che potrebbero compromettere la capacità di utilizzare in modo sicuro la piscina.
- Quando si utilizzano le coperture per piscina, rimuoverle completamente dalla superficie dell'acqua prima di entrare in piscina.
- Proteggere gli occupanti della piscina da malattie legate all'acqua, mantenendo l'acqua della piscina trattata e in buone condizioni igieniche. Consultare le linee guida per il trattamento dell'acqua contenute nel manuale utente.
- Conservare i prodotti chimici (es. trattamento dell'acqua, prodotti per la pulizia e la disinfezione) fuori dalla portata dei bambini.
- Utilizzare la segnaletica come indicato di seguito. La segnaletica deve essere esposta in modo visibile entro il raggio di 2 m dalla piscina.



Quando i bambini sono in acqua, sorvegliarli continuamente. Non tuffarsi.

- Le scalette rimovibili devono essere collocate su una superficie orizzontale.
- Indipendentemente dai materiali utilizzati per la costruzione della piscina, le superfici accessibili devono essere controllate regolarmente per evitare infortuni.
- Controllare regolarmente i bulloni e le viti; rimuovere schegge o bordi appuntiti per evitare lesioni.
- **ATTENZIONE:** Non lasciare la piscina svuotata all'aperto. La piscina vuota rischia di deformarsi e/o di spostarsi a causa del vento.
- Se è presente una pompa filtrante, fare riferimento al relativo manuale di istruzioni.
- **AVVERTENZA!** Non adoperare la pompa quando le persone si trovano nella piscina!
- Se è presente una scaletta, fare riferimento al relativo manuale di istruzioni.
- **AVVERTENZA!** Per utilizzare la piscina è obbligatorio attenersi alle istruzioni relative alla sicurezza riportate nella guida per l'uso e la manutenzione. Al fine di prevenire l'annegamento o altre gravi lesioni, prestare particolare attenzione alla possibilità di accesso inatteso alla piscina da parte di bambini sotto i 5 anni rendendo sicuro l'accesso alla stessa e, durante il bagno, tenerli sotto la costante sorveglianza di un adulto.

Leggere attentamente e conservare per futuri riferimenti.

L'installazione generalmente può essere effettuata da 2-3 persone e richiede circa 20 minuti, esclusa la preparazione e il riempimento del terreno.

SCEGLIERE LA CORRETTA UBICAZIONE

IMPORTANTE: Montare la piscina su una superficie piana e uniforme. Non installare la piscina su superfici in pendenza.

Condizioni corrette di installazione della piscina:

- L'ubicazione scelta deve essere in grado di supportare uniformemente il peso della piscina per tutto il tempo in cui essa è installata; inoltre l'installazione deve avvenire su una superficie piana ripulita da tutti gli oggetti e i detriti presenti, tra cui sassi e rametti.
- Si raccomanda di posizionare la piscina lontano da qualsiasi oggetto che i bambini potrebbero usare per arrampicarsi sulla piscina.
- NOTA:** Posizionare la piscina vicino ad un sistema di drenaggio adeguato per gestire casi di straripamento o per svuotare la piscina.
- NOTA:** Posizionare la piscina nelle vicinanze di una presa di corrente AC dotata di interruttore differenziale RCD.

Condizioni scorrette di installazione della piscina:

- Su terreni irregolari la piscina potrebbe crollare causando gravi lesioni personali e/o danni alla

proprietà. Ciò invaliderà la garanzia e impedirà qualsiasi richiesta di assistenza.

- La sabbia non deve essere usata per creare il livello di base; il terreno deve essere scavato se necessario.
- Direttamente sotto linee aeree di alta tensione o alberi. Assicurarsi che nel terreno sottostante non siano interrate condutture, tubi o cavi di alcun genere.
- Non posizionare la piscina su vialetti di accesso, ponti, piattaforme, superfici in ghiaia o asfalto. La posizione scelta deve essere sufficientemente stabile da resistere alla pressione dell'acqua; non sono adatti terreni fangosi, sabbiosi, morbidi / cedevoli o catrame.
- Poiché l'erba o la vegetazione che cresce al di sotto della piscina appassirà, causando odori sgradevoli e fanghiglia, è consigliabile estirparla in corrispondenza del punto in cui verrà collocata la piscina.
- Evitare aree ove sono presenti piante aggressive e specie infestanti che possono crescere attraverso il rivestimento.

NOTA: Verificare con l'amministrazione locale le norme relative all'installazione di recinti, barriere e segnalazioni luminose, nonché i requisiti di sicurezza e assicurarsi di essere in regola con tutte le disposizioni di legge esistenti.

NOTA: Se è stata acquistata una pompa a filtro, seguire le istruzioni riportate nel relativo manuale.

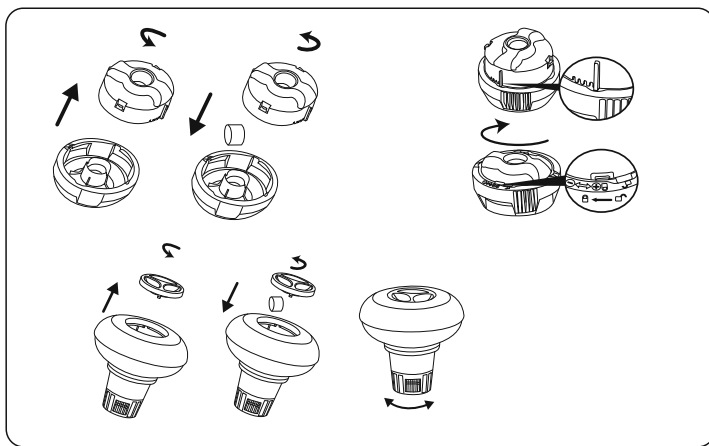
NOTA: La scaletta deve essere adeguata alle dimensioni della piscina e deve essere utilizzata esclusivamente per entrare e uscire dalla piscina. È vietato superare la portata massima consentita della scaletta. Verificare regolarmente lo stato di montaggio della scaletta.

Manutenzione della piscina

Se non si rispettano le linee guida di manutenzione riportate di seguito, la salute potrebbe essere a rischio, in particolare quella dei propri figli.

Utilizzo di compresse chimiche (non incluse):

NOTA: Chemconnect o Chemical Floater devono essere utilizzati quando si esegue la manutenzione chimica con compresse. L'articolo acquistato potrebbe non includere nessuno di questi distributori, in questo caso è possibile acquistarlo visitando il nostro sito web www.bestwaycorp.com o presso il rivenditore di piscine più vicino.



IMPORTANTE: Non utilizzare compresse di granulato o gettare la compressa direttamente nell'acqua. I prodotti chimici possono depositarsi sul fondo, danneggiare il materiale e scolorire il PVC.

Utilizzo di liquido chimico (non incluso):

IMPORTANTE: Aggiungere liquido chimico a piccole dosi e al centro della piscina per evitare il contatto diretto tra i prodotti chimici e la superficie del PVC. Il contatto diretto può danneggiare il materiale e scolorire la superficie.

NOTA: Rimuovere il distributore chimico dalla piscina quando la piscina è in uso.

IMPORTANTE: Dopo aver eseguito la manutenzione chimica e prima di utilizzare la piscina, utilizzare un kit di prova (non incluso) per testare la chimica dell'acqua. Raccomandiamo di mantenere l'acqua secondo la seguente tabella.

Parametri	Valori
Chiarezza dell'acqua	chiara visione del fondo della piscina
Colore dell'acqua	nessun colore dovrebbe essere osservato
Torbidità in FNU / NTU	max. 1,5 (preferibilmente inferiore a 0,5)
Concentrazione di nitrati superiore a quella dell'acqua di riempimento in mg / l	max. 20
Carbonio organico totale (TOC) in mg / l	max. 4,0
Potenziale redox contro Ag / AgCl 3,5 m KCl in mV	min. 650
Valore pH	da 6,8 a 7,6
Cloro attivo libero (senza acido cianurico) in mg / l	da 0,3 a 1,5
Cloro libero usato in combinazione con acido cianurico in mg / l	da 1,0 a 3,0
Acido cianurico in mg / l	max. 100
Cloro combinato in mg / l	max. 0,5 (preferibilmente vicino a 0,0 mg / l)

NOTA: I danni derivanti da uno squilibrio chimico non sono coperti dalla garanzia. I prodotti chimici per piscina sono potenzialmente tossici e devono essere maneggiati con cura. Esistono gravi rischi per la salute derivanti dai vapori chimici e dall'etichettatura e dallo stoccaggio errati dei contenitori di sostanze chimiche. Per ulteriori informazioni sulla manutenzione chimica, consultare il rivenditore locale di articoli da piscina. Prestare molta attenzione alle istruzioni del produttore del prodotto chimico. I danni alla piscina derivanti dall'uso improprio di sostanze chimiche e dalla cattiva gestione dell'acqua della piscina non sono coperti da garanzia.

IMPORTANTE: L'uso eccessivo di sostanze chimiche può scolorire la stampa e tutti i punti del materiale della piscina. Può anche danneggiare la struttura del rivestimento della piscina.

Per mantenere pulita la piscina:

1. Contattare il negozio di forniture per piscina locale per consulenza e acquisto di prodotti chimici e kit pH. Uno dei fattori più importanti per aumentare la durata del rivestimento è quello di mantenere costantemente acqua pulita e sana. Si prega di seguire rigorosamente le istruzioni dei tecnici professionisti per il trattamento dell'acqua attraverso l'uso di prodotti chimici.
2. Collocare un secchio d'acqua accanto alla piscina per pulire i piedi dei bagnanti prima di entrare nella piscina.
3. Coprire la piscina quando non in uso.
4. Scremare la piscina regolarmente per evitare lo sporco depositato.
5. Controllare e lavare regolarmente la cartuccia del filtro.
6. Pulire delicatamente la schiuma da sotto l'anello superiore con un panno pulito.
7. Si prega di fare attenzione in caso di acqua piovana, verificare gentilmente che il livello dell'acqua non sia superiore al previsto. In tal caso, **SCARICARE L'ACQUA IN ECCESSO**.
8. Se piove, verificare che il livello dell'acqua non sia superiore al livello specificato. Se l'acqua supera i livelli specificati, scaricare la piscina al livello specificato.

Una corretta manutenzione può massimizzare la durata della piscina.

Durante la stagione di utilizzo della piscina, il sistema di filtrazione deve essere necessariamente messo in servizio ogni giorno, tempo sufficiente per assicurare almeno un completo rinnovo del volume di acqua.

NOTA: La pompa viene utilizzata per far circolare l'acqua e per filtrare piccole particelle. Per mantenere l'acqua della piscina pulita e igienica, è necessario aggiungere anche sostanze chimiche.

Riparazione

In caso di perdite, rattoppare la piscina utilizzando la toppa di riparazione adesiva impermeabile fornita. Puoi trovare le istruzioni nelle FAQ nella sezione di supporto del nostro sito Web, www.bestwaycorp.com.

Smontaggio

1. Svitare il tappo della valvola sulla parte esterna della piscina girando in senso antiorario e rimuoverlo.
 2. Collegare l'adattatore a un'estremità della canna, posizionando l'altra estremità nell'area di scolo dell'acqua contenuta nella piscina (verificare le normative locali che regolamentano il deflusso dell'acqua).
 3. Avvitare il serratubo dell'adattatore sulla valvola di scolo. La valvola di scolo si aprirà e l'acqua inizierà a defluire.
ATTENZIONE: È possibile controllare il flusso dell'acqua regolando il serratubo.
 4. Una volta terminato il deflusso dell'acqua, svitare il serratubo per chiudere la valvola.
 5. Staccare la canna.
 6. Riavvitare il tappo sulla valvola di scolo.
 7. Lasciare fuoriuscire l'aria dalla piscina.
- ATTENZIONE:** Non lasciare all'aperto la piscina ormai vuota.

Conservazione

1. Rimuovere tutti gli accessori e le parti di ricambio della piscina; pulirla e lasciarla asciugare prima di riporla nella confezione.
2. Una volta asciutta, cospargere la piscina di polvere di talco per evitare che si incolli e ripiegarla con cura. Se la piscina non è completamente asciutta, il rivestimento interno potrebbe danneggiarsi a causa della formazione di muffa.
3. Conservare il rivestimento interno e gli accessori in un luogo asciutto con temperatura compresa tra 5°C / 41°F e 38°C / 100°F.
4. Quando piove, riporre la piscina e gli accessori secondo le istruzioni fornite in precedenza.
5. Se non si seguono le istruzioni per lo svuotamento della piscina sussiste il rischio di lesioni personali e/o danni agli oggetti personali.

PISCINE DE JEU SPLASH-IN-SHADE

MANUEL DE L'UTILISATEUR

⚠ ATTENTION

Avant d'installer et d'utiliser, la piscine, veuillez lire attentivement, assimiler et respecter toutes les informations contenues dans cette notice d'utilisation. Ces avertissements, instructions et consignes de sécurité portent sur certains des risques usuels associés aux loisirs aquatiques, mais ils ne peuvent pas couvrir la totalité des risques et dangers dans tous les cas. Faites toujours preuve de prudence, de discernement et de bon sens lors des activités aquatiques. Conservez ces informations afin de pouvoir vous y référer ultérieurement.

Sécurité des non-nageurs

- Une surveillance attentive, active et continue par un adulte compétent des enfants qui ne savent pas bien nager et des non-nageurs est requise en permanence (en gardant à l'esprit que le risque de noyade est le plus élevé pour les enfants de moins de cinq ans).
- Désignez un adulte compétent pour surveiller le bassin à chaque fois qu'il est utilisé.
- Il convient que les enfants qui ne savent pas bien nager ou les non-nageurs portent des équipements de protection individuelle lorsqu'ils utilisent la piscine.
- Lorsque le bassin n'est pas utilisé ou est sans surveillance, retirez tous les jouets de la piscine et ses abords afin de ne pas attirer les enfants vers le bassin.

Dispositifs de sécurité

- Pour éviter toute noyade d'enfant, il est recommandé de sécuriser l'accès au bassin par un dispositif de protection. Pour éviter que les enfants montent par la vanne d'entrée et de sortie, il est recommandé d'installer une barrière (et de sécuriser toutes les portes et fenêtres, le cas échéant) afin d'empêcher tout accès non autorisé à la piscine.
- Les barrières, couvertures, alarmes de piscines ou dispositifs de sécurité similaires sont des aides utiles, mais ils ne remplacent pas la surveillance continue par un adulte compétent.

Équipements de sécurité

- Il est recommandé de garder du matériel de sauvetage (une bouée, par exemple) près du bassin.
- Gardez un téléphone en parfait état de marche et une liste de numéros d'urgence à proximité du bassin.

Sécurité d'emploi de la piscine

- Incitez tous les utilisateurs, en particulier les enfants, à apprendre à nager.
- Apprenez les gestes qui sauvent (réanimation cardiopulmonaire) et remettez régulièrement à jour vos connaissances. Ces gestes peuvent sauver une vie en cas d'urgence.
- Expliquez aux utilisateurs de la piscine, enfants inclus, la procédure à suivre en cas d'urgence.
- Ne plongez jamais dans un plan d'eau peu profond, sous peine de blessures graves ou mortelles.
- N'utilisez pas la piscine sous l'emprise d'alcool ou de médicaments susceptibles de réduire votre capacité à utiliser la piscine en toute sécurité.
- Si la piscine est recouverte d'une couverture, retirez-la entièrement de la surface de l'eau avant d'entrer dans le bassin.
- Traitez l'eau de votre piscine et instaurez de bonnes pratiques d'hygiène afin de protéger les utilisateurs des maladies liées à l'eau. Consultez les consignes de traitement de l'eau données dans la notice d'utilisation.
- Stockez les produits chimiques (produits de traitement de l'eau, de nettoyage ou de désinfection, par exemple) hors de portée des enfants.
- Utilisez les pictogrammes décrits ci-dessous. Les pictogrammes doivent être affichés dans une position visible à moins de 2 000 mm de la piscine.



Garder les enfants sous surveillance dans l'environnement aquatique. Ne pas plonger.

- Placez les échelles amovibles sur une surface horizontale.
- Quels que soient les matériaux utilisés pour la construction de la piscine, les surfaces accessibles doivent être régulièrement contrôlées afin d'éviter les blessures.
- Vérifiez régulièrement les boulons et les vis ; éliminez les écailles ou toute arête vive pour éviter les blessures.
- **ATTENTION** : Ne laissez pas la piscine vide à l'extérieur. La piscine vide est susceptible de se déformer et/ou d'être emportée par le vent.
- Si vous avez une pompe de filtration, reportez-vous à la notice d'instructions de la pompe. **ATTENTION** ! Il est interdit d'utiliser la pompe quand des gens se trouvent à l'intérieur de la piscine !
- Si vous avez une échelle, reportez-vous à la notice d'instructions de l'échelle.
- **ATTENTION** ! L'utilisation d'une piscine implique le respect des consignes de sécurité décrites dans la notice d'entretien et d'utilisation. Pour prévenir toute noyade ou autres blessures graves, accordez une attention particulière à la sécurisation de l'accès à la piscine pour les enfants de moins de 5 ans et, pendant la période de baignade, les maintenir en permanence sous la surveillance d'un adulte.

À lire attentivement et à conserver pour consultation ultérieure.

L'installation prend habituellement 20 minutes environ avec 2-3 personnes, à l'exclusion des ouvrages de terre et du remplissage.

CHOISIR L'EMPLACEMENT CORRECT

IMPORTANT : La piscine doit être montée sur une surface complètement plate et nivelée. N'installez pas SVP la piscine si la surface est inclinée ou en pente.

Condition correcte pour installer la piscine :

- L'emplacement choisi doit pouvoir supporter uniformément le poids pendant toute la durée d'installation de la piscine, en outre, l'emplacement doit être plat et doit être dénué d'objets et débris, y compris des cailloux et des brindilles.
- Nous recommandons de positionner la piscine loin d'objets que les enfants pourraient utiliser pour grimper dans la piscine.

REMARQUE : Placer la piscine près d'un système d'évacuation adéquat pour traiter tout surplus ou pour vidanger la piscine.

REMARQUE : Placer la piscine près d'une prise AC protégée par un RCD (Dispositif de courant résiduel).

Conditions incorrectes pour installer la piscine :

- Sur un sol irrégulier, la piscine pourrait s'affaisser provoquant de graves lésions personnelles et/ou des dommages aux biens personnels et cela annulerait la garantie et empêcherait toute réclamation.
- Ne pas utiliser de sable pour créer une base de niveau ; le sol doit être creusé si nécessaire.
- Directement sous des lignes électriques aériennes ou des arbres. Assurez-vous que l'emplacement ne contient pas de tuyaux souterrains, de lignes ou câbles de quelque sorte que ce soit.
- Ne pas installer la piscine sur des routes, des ponts, des plate-formes, des surfaces en graviers ou en asphalte. L'emplacement choisi doit être suffisamment ferme pour résister à la pression de l'eau; boue, sable, sol mou ou goudron ne sont pas adaptés.
- L'herbe ou toute autre végétation sous la piscine mourra et est susceptible de provoquer des odeurs et le développement de boue, nous vous recommandons donc d'enlever toute l'herbe de l'emplacement choisi pour la piscine.
- Évitez les zones où peuvent pousser des plantes agressives et des mauvaises herbes car elles pourraient endommager la bâche.

REMARQUE : Vérifier avec votre conseil municipal les règlements liés aux barrières, enceintes, éclairage et dispositifs de sécurité et assurez-vous que vous conformez à toutes les lois.

REMARQUE : Si vous disposez d'une pompe filtrante, consultez le manuel de la pompe pour connaître les instructions.

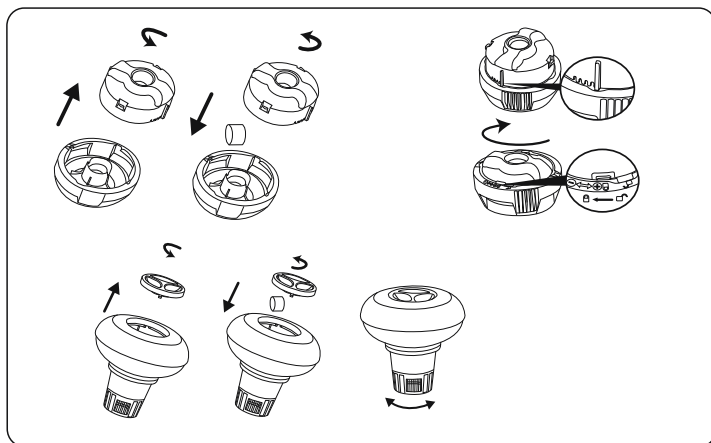
REMARQUE : L'échelle doit être adaptée à la taille de la piscine et doit être utilisée uniquement pour entrer et sortir de la piscine. Il est interdit de dépasser la charge permise sur l'échelle. Vérifiez régulièrement si l'échelle est convenablement assemblée.

Entretien de la piscine

Si vous ne respectez pas les consignes d'entretien ci-dessous, vous mettez en danger votre santé, et en particulier celle de vos enfants.

Utilisation de comprimés chimiques (non inclus) :

REMARQUE : Le diffuseur Chemconnect ou le flotteur chimique doit être utilisé lorsque vous effectuez l'entretien chimique avec des comprimés. L'article que vous avez acheté peut ne comprendre aucun de ces diffuseurs. Dans ce cas-là, vous devez l'acheter en visitant notre site web www.bestwaycorp.com ou chez le revendeur de piscines le plus proche.



IMPORTANT : N'utilisez pas de comprimés en granulés et ne jetez pas le comprimé directement dans l'eau. Les produits chimiques peuvent se déposer au fond, endommager le matériau et décolorer le PVC.

Utilisation de liquide chimique (non inclus) :

IMPORTANT : Ajoutez le liquide chimique en petites doses et au centre de la piscine pour éviter tout contact direct entre le produit chimique et la surface du PVC. Tout contact direct peut endommager le matériau et décolorer la surface.

REMARQUE : Sortez le diffuseur de produits chimiques de la piscine lorsque vous utilisez la piscine.

IMPORTANT : Après avoir effectué le traitement chimique et avant d'utiliser la piscine, servez-vous d'un kit d'essai (non fourni avec) pour tester les propriétés chimiques de l'eau. Nous recommandons de maintenir l'eau conformément au tableau suivant.

Paramètres	Valeurs
Clarté de l'eau	le fond de la piscine est clairement visible
Couleur de l'eau	on ne doit remarquer aucune couleur de l'eau
Turbidité en FNU/NTU	1,5 maxi (de préférence inférieure à 0,5)
Concentration de nitrates supérieure à celle de l'eau de remplissage en mg/l	20 maxi
Carbone organique total (COT) en mg/l	4,0 maxi
Potentiel d'oxydo-réduction par rapport à Ag/AgCl 3,5 m KCl en mV	650 mini
Valeur du pH	de 6,8 à 7,6
Chlore actif libre (sans acide cyanurique) en mg/l	de 0,3 à 1,5
Chlore libre utilisé combiné avec de l'acide cyanurique en mg/l	de 1,0 à 3,0
Acide cyanurique en mg/l	100 maxi
Chlore combiné en mg/l	0,5 maxi (de préférence proche de 0,0 mg/l)

REMARQUE : La garantie ne couvre pas les dégâts provoqués par un déséquilibre chimique. Les produits chimiques pour piscine sont potentiellement toxiques et doivent être manipulés en faisant attention. Il existe des risques sérieux pour la santé dérivant des vapeurs chimiques ainsi que de l'étiquetage et du stockage incorrects des récipients chimiques. Veuillez vous adresser au concessionnaire de piscine le plus proche pour plus d'informations au sujet de la maintenance chimique. Lisez attentivement les instructions du producteur de produits chimiques. La garantie ne couvre pas les dégâts occasionnés à la piscine suite à une utilisation incorrecte des produits chimiques et à une mauvaise gestion de l'eau de la piscine.

IMPORTANT : L'utilisation excessive de produits chimiques peut décolorer l'imprimé et tous les points du matériau de la piscine. Elle peut également endommager la structure de la bâche de piscine.

Pour maintenir votre piscine propre :

1. Adressez-vous au magasin de produits de piscine le plus proche pour obtenir des conseils et acheter des produits chimiques et des kits pour mesurer le pH. L'un des facteurs les plus importants pour augmenter la durée de vie de la bache consiste à maintenir l'eau toujours propre et saine. Veuillez suivre scrupuleusement les instructions des techniciens professionnels pour le traitement de l'eau en utilisant des produits chimiques.
2. Placez un seau d'eau à côté de la piscine pour que les utilisateurs se lavent les pieds avant d'entrer dans la piscine.
3. Couvrez la piscine quand vous ne l'utilisez pas.
4. Écumez la piscine régulièrement pour éviter que la saleté s'installe.
5. Contrôlez et lavez régulièrement la cartouche de filtration.
6. Nettoyez délicatement la mousse sous le boudin du haut avec un chiffon propre.
7. Faites attention quand il pleut en vérifiant que l'eau ne dépasse pas le niveau prévu. Si c'est le cas, VOUS DEVEZ VIDANGER L'EXCÉDENT D'EAU.
8. S'il pleut, vérifiez que le niveau de l'eau ne dépasse pas le niveau indiqué. Si l'eau dépasse les niveaux indiqués, vidangez la piscine jusqu'au niveau indiqué.

Un bon entretien peut optimiser la durée de vie de votre piscine.

During the season of use of the swimming pool, the filtration system must be necessarily put into service every day, enough time to assure at least a complete renewal of the volume of water.

REMARQUE : La pompe sert à faire circuler l'eau et à filtrer les petites particules. Pour que l'eau de votre piscine reste propre et saine, vous devez également ajouter des produits chimiques.

Réparation

En cas de fuite, réparez votre piscine au moyen de la rustine résistante fournie. Vous pouvez trouver les instructions dans les FAQ dans la section assistance de notre site web, www.bestwaycorp.com.

Démantelage

1. Dévissez le bouchon de la valve de vidange à l'extérieur de la piscine, dans le sens inverse des aiguilles d'une montre.
 2. Branchez l'adaptateur au boyau et placez ce dernier là où vous souhaitez vider votre piscine. (Vérifiez les arrêtés municipaux en matière de vidange avant de procéder.)
 3. Vissez l'anneau de contrôle de l'adaptateur du boyau sur la valve de vidange, dans le sens des aiguilles d'une montre. La valve de vidange sera ainsi ouverte et l'eau s'écoulera automatiquement.
ATTENTION : L'anneau permet de contrôler le débit.
 4. Une fois la vidange terminée, dévissez l'anneau de contrôle pour fermer la valve.
 5. Débranchez le boyau.
 6. Remettez le bouchon sur la valve de vidange.
 7. Laissez la piscine sécher à l'air.
- AVERTISSEMENT :** Ne pas laisser une piscinette à l'extérieur, vide.

Rangement

1. Enlevez tous les accessoires et toutes les pièces détachées de la piscine, puis rangez-les après les avoir lavés et séchés.
2. Une fois la piscine tout à fait sèche, saupoudrez-la de poudre de talc pour éviter que la toile s'agglutine, et pliez-la délicatement. Si la piscine n'est pas tout à fait sèche, de la moisissure risque de se former sur la toile et de l'endommager.
3. Rangez la toile et les accessoires dans un endroit sec, à température modérée, soit entre 5°C (41°F) et 38°C (100°F).
4. Pendant la saison pluvieuse, la piscine et les accessoires doivent être rangés comme ci-dessus.
5. Un mauvais drainage de la piscine pourrait provoquer des dommages aux personnes et/ou aux biens.



CONSIGNE POUVANT VARIER LOCALEMENT > WWW.CONSIGNEDETRI.FR

ΣΚΙΑΖΟΜΕΝΗ ΠΙΣΙΝΑ ΠΑΙΧΝΙΔΙΟΥ SPLASH-IN-SHADE ΕΓΧΕΙΡΙΔΙΟ ΙΔΙΟΚΤΗΤΗ

ΠΡΟΕΙΔΟΠΟΙΗΣΗ

ΔΙΑΒΑΣΤΕ ΠΡΟΣΕΚΤΙΚΑ, ΚΑΤΑΝΟΗΣΤΕ ΚΑΙ ΑΚΟΛΟΥΘΗΣΤΕ ΟΛΕΣ ΤΙΣ ΠΛΗΡΟΦΟΡΙΕΣ ΣΕ ΑΥΤΟ ΤΟ ΕΓΧΕΙΡΙΔΙΟ ΧΡΗΣΗΣ ΠΡΙΝ ΑΠΟ ΤΗΝ ΕΓΚΑΤΑΣΤΑΣΗ ΚΑΙ ΤΗ ΧΡΗΣΗ ΤΗΣ ΠΙΣΙΝΑΣ. ΑΥΤΕΣ ΟΙ ΠΡΟΕΙΔΟΠΟΙΗΣΕΙΣ, ΟΔΗΓΙΕΣ ΚΑΙ ΚΑΤΕΥΘΥΝΤΗΡΙΕΣ ΟΔΗΓΙΕΣ ΓΙΑ ΤΗΝ ΑΣΦΑΛΕΙΑ ΑΝΑΦΕΡΟΝΤΑΙ ΣΕ ΚΑΠΟΙΟΥΣ ΣΥΝΗΘΙΣΜΕΝΟΥΣ ΚΙΝΔΥΝΟΥΣ ΤΗΣ ΑΝΑΨΥΧΗΣ ΣΤΟ ΝΕΡΟ, ΑΛΛΑ ΔΕΝ ΜΠΟΡΟΥΝ ΝΑ ΚΑΛΥΨΟΥΝ ΟΛΟΥΣ ΤΟΥΣ ΚΙΝΔΥΝΟΥΣ ΣΕ ΟΛΕΣ ΤΙΣ ΠΕΡΙΠΤΩΣΕΙΣ. ΠΑΝΤΟΤΕ ΕΠΙΔΕΙΚΝΥΤΕ ΠΡΟΣΟΧΗ, ΚΟΙΝΗ ΛΟΓΙΚΗ ΚΑΙ ΚΑΛΗ ΚΡΙΣΗ ΟΤΑΝ ΑΠΟΛΑΜΒΑΝΕΤΕ ΟΠΟΙΟΔΗΠΟΤΕ ΔΡΑΣΤΗΡΙΟΤΗΤΑ ΣΤΟ ΝΕΡΟ. ΦΥΛΑΞΤΕ ΑΥΤΕΣ ΤΙΣ ΠΛΗΡΟΦΟΡΙΕΣ ΓΙΑ ΜΕΛΛΟΝΤΙΚΗ ΧΡΗΣΗ.

ΑΣΦΑΛΕΙΑ ΟΣΩΝ ΔΕΝ ΓΝΩΡΙΖΟΥΝ ΚΟΛΥΜΒΗΣΗ

- ΑΝΑ ΠΑΣΑ ΣΤΙΓΜΗ ΑΠΑΙΤΕΙΤΑΙ ΣΥΝΕΧΗΣ, ΕΝΕΡΓΗ, ΚΑΙ ΑΓΡΥΠΝΗ ΕΠΙΒΛΕΨΗ ΤΩΝ ΑΔΥΝΑΜΩΝ ΚΟΛΥΜΒΗΤΩΝ ΚΑΙ ΤΩΝ ΜΗ ΚΟΛΥΜΒΗΤΩΝ ΑΠΟ ΑΡΜΟΔΙΟ ΕΝΗΛΙΚΑ (ΕΝΘΥΜΩΜΕΝΟΙ ΟΤΙ ΤΑ ΠΑΙΔΙΑ ΚΑΤΩ ΤΩΝ ΠΕΝΤΕ ΕΤΩΝ ΔΙΑΤΡΕΧΟΥΝ ΤΟΝ ΥΨΗΛΟΤΕΡΟ ΚΙΝΔΥΝΟ ΠΝΙΓΜΟΥ).
- ΟΡΙΣΤΕ ΕΝΑΝ ΑΡΜΟΔΙΟ ΕΝΗΛΙΚΑ ΝΑ ΕΠΙΒΛΕΠΕΙ ΤΗΝ ΠΙΣΙΝΑ ΚΑΘΕ ΦΟΡΑ ΠΟΥ ΕΙΝΑΙ ΣΕ ΧΡΗΣΗ.
- ΟΙ ΑΔΥΝΑΜΟΙ ΚΟΛΥΜΒΗΤΕΣ Η ΟΙ ΜΗ ΓΝΩΡΙΖΟΝΤΕΣ ΚΟΛΥΜΒΗΣΗ ΘΑ ΠΡΕΠΕΙ ΝΑ ΦΟΡΟΥΝ ΕΞΟΠΛΙΣΜΟ ΑΤΟΜΙΚΗΣ ΠΡΟΣΤΑΣΙΑΣ ΚΑΤΑ ΤΗ ΧΡΗΣΗ ΤΗΣ ΠΙΣΙΝΑΣ.
- ΟΤΑΝ Η ΠΙΣΙΝΑ ΔΕΝ ΕΙΝΑΙ ΣΕ ΧΡΗΣΗ, Η ΕΙΝΑΙ ΧΩΡΙΣ ΕΠΙΒΛΕΨΗ, ΑΦΑΙΡΕΣΤΕ ΟΛΑ ΤΑ ΠΑΙΧΝΙΔΙΑ ΑΠΟ ΤΗΝ ΠΙΣΙΝΑ ΚΑΙ ΤΟΝ ΠΕΡΙΒΑΛΟΝΤΑ ΧΩΡΟ ΟΣΤΕ ΝΑ ΑΠΟΤΡΕΠΕΙΤΑΙ Η ΠΡΟΣΕΛΚΥΣΗ ΠΑΙΔΙΩΝ ΣΤΗΝ ΠΙΣΙΝΑ.

ΣΥΣΚΕΥΕΣ ΑΣΦΑΛΕΙΑΣ

- ΠΡΟΚΕΙΜΕΝΟΥ ΝΑ ΑΠΟΤΡΑΠΕΙ Ο ΠΝΙΓΜΟΣ ΠΑΙΔΙΩΝ, ΣΥΝΙΣΤΑΤΑΙ ΝΑ ΑΣΦΑΛΙΣΤΕ ΤΗΝ ΠΡΟΣΒΑΣΗ ΣΤΗΝ ΠΙΣΙΝΑ ΜΕ ΜΙΑ ΠΡΟΣΤΑΤΕΥΤΙΚΗ ΣΥΣΚΕΥΗ. ΠΡΟΚΕΙΜΕΝΟΥ ΝΑ ΑΠΟΤΡΑΠΟΥΝ ΤΑ ΠΑΙΔΙΑ ΑΠΟ ΤΟ ΝΑ ΣΚΑΡΦΑΛΩΣΟΥΝ ΑΠΟ ΤΗ ΒΑΛΒΙΔΑ ΕΙΣΟΔΟΥ ΚΑΙ ΕΞΟΔΟΥ, ΣΥΝΙΣΤΑΤΑΙ ΝΑ ΕΓΚΑΤΑΣΤΑΘΕΙ ΕΝΑ ΕΜΠΟΔΙΟ (ΚΑΙ ΝΑ ΑΣΦΑΛΙΣΤΕ ΟΛΕΣ ΤΙΣ ΠΟΡΤΕΣ ΚΑΙ ΤΑ ΠΑΡΑΟΥΡΑ, ΟΠΟΥ ΕΦΑΡΜΟΖΕΤΑΙ) ΓΙΑ ΝΑ ΑΠΟΤΡΕΨΕΤΕ ΤΗ ΜΗ ΕΞΟΥΣΙΟΔΟΤΗΜΕΝΗ ΠΡΟΣΒΑΣΗ ΣΤΗΝ ΠΙΣΙΝΑ.
- ΕΜΠΟΔΙΑ, ΚΑΛΥΜΜΑΤΑ ΠΙΣΙΝΑΣ, ΣΥΝΑΓΕΡΜΟΙ ΠΙΣΙΝΑΣ, Η ΠΑΡΟΜΟΙΕΣ ΣΥΣΚΕΥΕΣ ΑΣΦΑΛΕΙΑΣ ΕΙΝΑΙ ΧΡΗΣΙΜΑ ΒΟΗΘΗΜΑΤΑ, ΑΛΛΑ ΔΕΝ ΥΠΟΚΑΘΙΣΤΟΥΝ ΤΗ ΣΥΝΕΧΗ ΚΑΙ ΑΡΜΟΔΙΑ ΕΠΙΒΛΕΨΗ ΑΠΟ ΕΝΗΛΙΚΑ.

ΕΞΟΠΛΙΣΜΟΣ ΑΣΦΑΛΕΙΑΣ

- ΣΥΝΙΣΤΑΤΑΙ Ο ΕΞΟΠΛΙΣΜΟΣ ΔΙΑΣΩΣΗΣ (Π.Χ. ΔΑΚΤΥΛΙΟΙΔΕΙΣ ΣΗΜΑΔΟΥΡΑ) ΝΑ ΦΥΛΑΣΣΕΤΑΙ ΔΙΠΛΑ ΣΤΗΝ ΠΙΣΙΝΑ.
- ΔΙΑΤΗΡΕΙΤΕ ΜΙΑ ΛΕΙΤΟΥΡΓΙΚΗ ΣΥΣΚΕΥΗ ΤΗΛΕΦΩΝΟΥ ΚΑΙ ΜΙΑ ΛΙΣΤΑ ΤΩΝ ΤΗΛΕΦΩΝΩΝ ΕΚΤΑΚΤΗΣ ΑΝΑΓΚΗΣ ΚΟΝΤΑ ΣΤΗΝ ΠΙΣΙΝΑ.

ΑΣΦΑΛΗΣ ΧΡΗΣΗ ΤΗΣ ΠΙΣΙΝΑΣ

- ΕΝΘΑΡΡΥΝΕΤΕ ΟΛΟΥΣ ΤΟΥΣ ΧΡΗΣΤΕΣ ΚΑΙ ΙΔΙΑΙΤΕΡΑ ΤΑ ΠΑΙΔΙΑ ΝΑ ΜΑΘΟΥΝ ΚΟΛΥΜΒΗΣΗ.
- ΜΑΘΕΤΕ ΒΑΣΙΚΗ ΥΠΟΣΤΗΡΙΞΗ ΖΩΗΣ (ΚΑΡΔΙΟΑΝΑΠΝΕΥΣΤΙΚΗ ΑΝΑΝΗΨΗ - CPR) ΚΑΙ ΑΝΑΝΕΩΝΕΤΕ ΑΥΤΕΣ ΤΙΣ ΓΝΩΣΕΙΣ ΤΑΚΤΙΚΑ. ΣΕ ΠΕΡΙΠΤΩΣΗ ΕΚΤΑΚΤΗΣ ΑΝΑΓΚΗΣ ΑΥΤΟ ΜΠΟΡΕΙ ΝΑ ΚΑΝΕΙ ΤΗ ΔΙΑΦΟΡΑ ΔΙΑΣΩΣΗΣ ΜΙΑΣ ΖΩΗΣ.
- ΔΩΣΤΕ ΟΔΗΓΙΕΣ ΣΕ ΟΛΟΥΣ ΤΟΥΣ ΧΡΗΣΤΕΣ ΤΗΣ ΠΙΣΙΝΑΣ, ΣΥΜΠΕΡΙΛΑΜΒΑΝΟΜΕΝΩΝ ΤΩΝ ΠΑΙΔΙΩΝ, ΓΙΑ ΤΟ ΤΙ ΝΑ ΚΑΝΟΥΝ ΣΕ ΠΕΡΙΠΤΩΣΗ ΕΚΤΑΚΤΗΣ ΑΝΑΓΚΗΣ.
- ΠΟΤΕ ΜΗΝ ΚΑΤΑΔΥΣΤΕ ΣΕ ΟΠΟΙΟΔΗΠΟΤΕ ΡΗΧΑ ΝΕΡΑ. ΑΥΤΟ ΜΠΟΡΕΙ ΝΑ ΠΡΟΚΑΛΕΣΕΙ ΣΟΒΑΡΟ ΤΡΑΥΜΑΤΙΣΜΟ Η ΘΑΝΑΤΟ.
- ΜΗΝ ΧΡΗΣΙΜΟΠΟΙΕΙΤΕ ΤΗΝ ΠΙΣΙΝΑ ΟΤΑΝ ΚΑΝΕΤΕ ΧΡΗΣΗ ΑΛΚΟΟΛ Η ΦΑΡΜΑΚΩΝ ΠΟΥ ΜΠΟΡΕΙ ΝΑ ΕΠΗΡΕΑΣΟΥΝ ΤΗΝ ΙΚΑΝΟΤΗΤΑ ΣΑΣ ΝΑ ΧΡΗΣΙΜΟΠΟΙΕΙΤΕ ΜΕ ΑΣΦΑΛΕΙΑ ΤΗΝ ΠΙΣΙΝΑ.
- ΟΤΑΝ ΧΡΗΣΙΜΟΠΟΙΟΥΝΤΑΙ ΚΑΛΥΜΜΑΤΑ ΠΙΣΙΝΑΣ, ΑΦΑΙΡΕΙΤΕ ΤΑ ΕΝΤΕΛΩΣ ΑΠΟ ΤΗΝ ΕΠΙΦΑΝΕΙΑ ΤΟΥ ΝΕΡΟΥ ΠΡΙΝ ΑΠΟ ΤΗΝ ΕΙΣΟΔΟ ΣΤΗΝ ΠΙΣΙΝΑ.
- ΠΡΟΣΤΑΤΕΨΤΕ ΤΟΥΣ ΧΡΗΣΤΕΣ ΤΗΣ ΠΙΣΙΝΑΣ ΑΠΟ ΑΣΘΕΝΕΙΕΣ ΠΟΥ ΣΧΕΤΙΖΟΝΤΑΙ ΜΕ ΤΟ ΝΕΡΟ, ΔΙΑΤΗΡΩΝΤΑΣ ΤΟ ΝΕΡΟ ΤΗΣ ΠΙΣΙΝΑΣ ΕΠΕΞΕΡΓΑΣΜΕΝΟ ΚΑΙ ΤΗΡΩΝΤΑΣ ΚΑΛΗ ΥΓΙΕΙΝΗ. ΣΥΜΒΟΥΛΕΥΕΙΤΕ ΤΙΣ ΚΑΤΕΥΘΥΝΤΗΡΙΕΣ ΟΔΗΓΙΕΣ ΕΠΕΞΕΡΓΑΣΙΑΣ ΤΟΥ ΝΕΡΟΥ ΣΤΟ ΕΓΧΕΙΡΙΔΙΟ ΧΡΗΣΗΣ.
- ΑΠΟΘΗΚΕΥΤΕ ΤΑ ΧΗΜΙΚΑ (Π.Χ. ΠΡΟΪΟΝΤΑ ΕΠΕΞΕΡΓΑΣΙΑΣ ΝΕΡΟΥ, ΚΑΘΑΡΙΣΜΟΥ Η ΑΠΟΛΥΜΑΝΣΗΣ) ΜΑΚΡΙΑ ΑΠΟ ΠΑΙΔΙΑ.
- ΧΡΗΣΙΜΟΠΟΙΗΣΤΕ ΤΗ ΣΗΜΑΝΣΗ ΟΠΩΣ ΠΕΡΙΓΡΑΦΕΤΑΙ ΠΑΡΑΚΑΤΩ. Η ΣΗΜΑΝΣΗ ΠΡΕΠΕΙ ΝΑ ΑΝΑΡΤΑΤΑΙ ΣΕ ΕΜΦΑΝΗ ΘΕΣΗ ΕΝΤΟΣ 2Μ ΑΠΟ ΤΗΝ ΠΙΣΙΝΑ.



ΕΠΙΒΛΕΠΤΕ ΤΑ ΠΑΙΔΙΑ ΠΟΥ ΒΡΙΣΚΟΝΤΑΙ ΣΤΟ ΝΕΡΟ. ΑΠΑΓΟΡΕΥΟΝΤΑΙ ΟΙ ΒΟΥΤΙΕΣ.

- ΟΙ ΑΦΑΙΡΥΜΕΝΕΣ ΣΚΑΛΕΣ ΠΡΕΠΕΙ ΝΑ ΤΟΠΟΘΕΤΟΥΝΤΑΙ ΣΕ ΟΡΙΖΟΝΤΙΑ ΕΠΙΦΑΝΕΙΑ.
- ΑΝΕΣΤΗΡΙΤΑ ΤΩΝ ΥΛΙΚΩΝ ΠΟΥ ΧΡΗΣΙΜΟΠΟΙΟΥΝΤΑΙ ΓΙΑ ΤΗΝ ΚΑΤΑΣΚΕΥΗ ΤΗΣ ΠΙΣΙΝΑΣ, ΟΙ ΠΡΟΣΤΙΣΕΣ ΕΠΙΦΑΝΕΙΕΣ ΠΡΕΠΕΙ ΝΑ ΕΛΕΓΧΟΝΤΑΙ ΤΑΚΤΙΚΑ ΓΙΑ ΤΗΝ ΑΠΟΦΥΓΗ ΤΡΑΥΜΑΤΙΣΜΩΝ.
- ΕΠΙΘΕΩΡΕΙΤΕ ΤΑΚΤΙΚΑ ΤΑ ΜΠΟΥΛΟΝΙΑ ΚΑΙ ΒΙΔΕΣ, ΑΦΑΙΡΕΙΤΕ ΑΚΙΔΕΣ Η ΔΙΧΜΗΡΕΣ ΑΚΜΕΣ ΓΙΑ ΤΗΝ ΑΠΟΦΥΓΗ ΤΡΑΥΜΑΤΙΣΜΩΝ.
- **ΠΡΟΣΟΧΗ:** ΜΗΝ ΑΦΗΝΕΤΕ ΤΗΝ ΑΠΟΣΤΡΑΓΓΙΣΜΕΝΗ ΠΙΣΙΝΑ ΕΞΩ. Η ΑΔΕΙΑ ΠΙΣΙΝΑ ΕΙΝΑΙ ΠΙΘΑΝΟ ΝΑ ΠΑΡΑΜΟΡΦΩΘΕΙ ΚΑΙ/Η ΝΑ ΕΚΤΟΠΙΣΤΕΙ ΛΟΓΩ ΤΟΥ ΑΝΕΜΟΥ.
- ΕΑΝ ΔΙΑΘΕΤΕΤΕ ΜΙΑ ΑΝΤΛΙΑ ΦΙΛΤΡΟΥ, ΑΝΤΡΕΣΤΕ ΣΤΟ ΕΓΧΕΙΡΙΔΙΟ ΤΗΣ ΑΝΤΛΙΑΣ ΓΙΑ ΟΔΗΓΙΕΣ. **ΠΡΟΕΙΔΟΠΟΙΗΣΗ!** Η ΑΝΤΛΙΑ ΔΕΝ ΜΠΟΡΕΙ ΝΑ ΧΡΗΣΙΜΟΠΟΙΗΘΕΙ, ΕΝΩ ΥΠΑΡΧΟΥΝ ΑΝΘΡΩΠΟΙ ΜΕΣΑ ΣΤΗΝ ΠΙΣΙΝΑ!
- ΕΑΝ ΔΙΑΘΕΤΕΤΕ ΜΙΑ ΣΚΑΛΑ, ΑΝΤΡΕΣΤΕ ΣΤΟ ΕΓΧΕΙΡΙΔΙΟ ΤΗΣ ΣΚΑΛΑΣ ΓΙΑ ΟΔΗΓΙΕΣ. **ΠΡΟΕΙΔΟΠΟΙΗΣΗ!** Η ΧΡΗΣΗ ΤΗΣ ΠΙΣΙΝΑΣ ΠΡΟΫΠΟΘΕΤΕΙ ΣΥΜΜΟΡΦΩΣΗ ΜΕ ΤΙΣ ΟΔΗΓΙΕΣ ΑΣΦΑΛΕΙΑΣ ΠΟΥ ΠΕΡΙΓΡΑΦΟΝΤΑΙ ΣΤΙΣ ΟΔΗΓΙΕΣ ΛΕΙΤΟΥΡΓΙΑΣ ΚΑΙ ΣΥΝΤΗΡΗΣΗΣ. ΓΙΑ ΤΗΝ ΠΡΟΛΗΨΗ ΠΝΙΓΜΟΥ ΚΑΙ ΑΛΛΩΝ ΣΟΒΑΡΩΝ ΤΡΑΥΜΑΤΙΣΜΩΝ, ΔΩΣΤΕ ΙΔΙΑΙΤΕΡΗ ΠΡΟΣΟΧΗ ΣΤΗΝ ΠΙΘΑΝΟΤΗΤΑ ΑΠΡΟΣΔΟΚΗΤΗΣ ΠΡΟΣΒΑΣΗΣ ΣΤΗΝ ΠΙΣΙΝΑ ΑΠΟ ΠΑΙΔΙΑ ΚΑΤΩ ΤΩΝ 5 ΕΤΩΝ ΑΣΦΑΛΙΖΟΝΤΑΣ ΤΗΝ ΠΡΟΣΒΑΣΗ ΣΕ ΑΥΤΗΝ, ΚΑΙ, ΚΑΤΑ ΤΗ ΔΙΑΡΚΕΙΑ ΤΗΣ ΚΟΛΥΜΒΗΣΗΣ, ΔΙΑΤΗΡΗΣΤΕ ΤΑ ΥΠΟ ΤΗ ΣΥΝΕΧΗ ΕΠΙΤΗΡΗΣΗ ΕΝΗΛΙΚΑ.

ΠΑΡΑΚΑΛΟΥΜΕ ΔΙΑΒΑΣΤΕ ΠΡΟΣΕΚΤΙΚΑ ΚΑΙ ΦΥΛΑΞΤΕ ΓΙΑ ΜΕΛΛΟΝΤΙΚΗ ΑΝΑΦΟΡΑ.

Η ΕΓΚΑΤΑΣΤΑΣΗ ΣΥΝΗΘΩΣ ΑΠΑΙΤΕΙ ΠΕΡΙΠΟΥ 20 ΛΕΠΤΑ ΜΕ 2-3 ΑΤΟΜΑ ΕΞΑΙΡΩΝΤΑΣ ΤΙΣ ΧΩΜΑΤΟΥΡΓΙΚΕΣ ΕΡΓΑΣΙΕΣ ΚΑΙ ΤΗΝ ΠΛΗΡΩΣΗ.

ΕΠΙΛΕΞΤΕ ΤΗ ΣΩΣΤΗ ΤΟΠΟΘΕΣΙΑ

ΣΗΜΑΝΤΙΚΟ: Η ΠΙΣΙΝΑ ΘΑ ΠΡΕΠΕΙ ΝΑ ΕΓΚΑΘΙΣΤΑΤΑΙ ΣΕ ΜΙΑ ΕΝΤΕΛΩΣ ΕΠΙΠΕΔΗ ΚΑΙ ΟΜΑΛΗ ΕΠΙΦΑΝΕΙΑ. ΜΗΝ ΕΓΚΑΘΙΣΤΑΤΕ ΤΗΝ ΠΙΣΙΝΑ ΑΝ Η ΕΠΙΦΑΝΕΙΑ ΕΙΝΑΙ ΕΠΙΚΛΙΝΗΣ Ή ΑΝΩΜΑΛΗ.

ΣΩΣΤΕΣ ΣΥΝΘΗΚΕΣ ΓΙΑ ΤΟ ΣΤΗΡΙΜΟ ΤΗΣ ΠΙΣΙΝΑΣ:

- Η ΕΠΙΛΕΓΜΕΝΗ ΤΟΠΟΘΕΣΙΑ ΠΡΕΠΕΙ ΝΑ ΕΙΝΑΙ ΣΕ ΘΕΣΗ ΝΑ ΥΠΟΣΤΗΡΙΞΕΙ ΟΜΟΙΟΜΟΡΦΑ ΤΟ ΒΑΡΟΣ ΓΙΑ ΟΛΟ ΤΟ ΧΡΟΝΟ ΠΟΥ ΘΑ ΕΙΝΑΙ ΕΓΚΑΤΕΣΤΗΜΕΝΗ Η ΠΙΣΙΝΑ, ΕΠΙΠΛΕΟΝ Η ΤΟΠΟΘΕΣΙΑ ΠΡΕΠΕΙ ΝΑ ΕΙΝΑΙ ΕΠΙΠΕΔΗ ΚΑΙ ΠΡΕΠΕΙ ΝΑ ΚΑΘΑΡΙΣΤΕΙ ΑΠΟ ΟΛΑ ΤΑ ΑΝΤΙΚΕΙΜΕΝΑ ΚΑΙ ΤΑ ΥΠΟΛΕΙΜΜΑΤΑ ΣΥΜΠΕΡΙΛΑΜΒΑΝΟΜΕΝΩΝ ΠΕΤΡΩΝ ΚΑΙ ΚΛΑΔΙΩΝ.
- ΣΥΝΙΣΤΟΥΜΕ ΤΗΝ ΤΟΠΟΘΕΤΗΣΗ ΤΗΣ ΠΙΣΙΝΑΣ ΜΑΚΡΙΑ ΑΠΟ ΟΠΟΙΟΔΗΠΟΤΕ ΑΝΤΙΚΕΙΜΕΝΑ ΠΟΥ ΘΑ ΜΠΟΡΟΥΣΑΝ ΝΑ ΧΡΗΣΙΜΟΠΟΙΗΘΟΥΝ ΑΠΟ ΠΑΙΔΙΑ ΓΙΑ ΝΑ ΣΚΑΡΦΑΛΩΣΟΥΝ ΜΕΣΑ ΣΤΗΝ ΠΙΣΙΝΑ.
- ΣΗΜΕΙΩΣΗ:** ΤΟΠΟΘΕΤΗΣΤΕ ΤΗΝ ΠΙΣΙΝΑ ΚΟΝΤΑ ΣΕ ΕΝΑ ΚΑΤΑΛΛΗΛΟ ΣΥΣΤΗΜΑ ΑΠΟΧΕΤΕΥΣΗΣ ΓΙΑ ΤΟ ΧΕΙΡΙΣΜΟ ΤΩΝ ΥΠΕΡΧΛΩΡΙΩΣΕΩΝ Η ΤΗΝ ΕΚΚΕΝΩΣΗ ΤΗΣ ΠΙΣΙΝΑΣ.
- ΣΗΜΕΙΩΣΗ:** ΤΟΠΟΘΕΤΗΣΤΕ ΤΗΝ ΠΙΣΙΝΑ ΚΟΝΤΑ ΣΕ ΜΙΑ ΠΑΡΟΧΗ ΕΝΑΛΛΑΣΣΟΜΕΝΟΥ ΡΕΥΜΑΤΟΣ ΠΡΟΣΤΑΤΕΥΜΕΝΗ ΑΠΟ ΕΝΑΝ ΑΥΤΟΜΑΤΟ ΔΙΑΚΟΠΤΗ ΔΙΑΡΡΟΗΣ (RCD).

ΑΝΘΩΣΜΕΝΕΣ ΣΥΝΘΗΚΕΣ ΓΙΑ ΤΟ ΣΤΗΡΙΜΟ ΤΗΣ ΠΙΣΙΝΑΣ:

- ΣΕ ΑΝΩΜΑΛΟ ΕΔΑΦΟΣ Η ΠΙΣΙΝΑ ΜΠΟΡΕΙ ΝΑ ΚΑΤΑΡΡΕΥΕΙ ΠΡΟΚΑΛΩΝΤΑΣ ΣΟΒΑΡΟ ΠΡΟΣΩΠΙΚΟ ΤΡΑΥΜΑΤΙΣΜΟ ΚΑΙ/Η ΖΗΜΙΑ ΣΕ ΠΡΟΣΩΠΙΚΗ ΠΕΡΙΟΥΣΙΑ ΑΚΥΡΩΝΟΝΤΑΣ ΤΗΝ ΕΓΓΥΗΣΗ ΚΑΙ ΕΜΠΟΔΙΖΟΝΤΑΣ

ΤΙΣ ΟΠΟΙΕΣ ΑΞΙΩΣΕΙΣ ΑΠΟΖΗΜΙΩΣΗΣ.

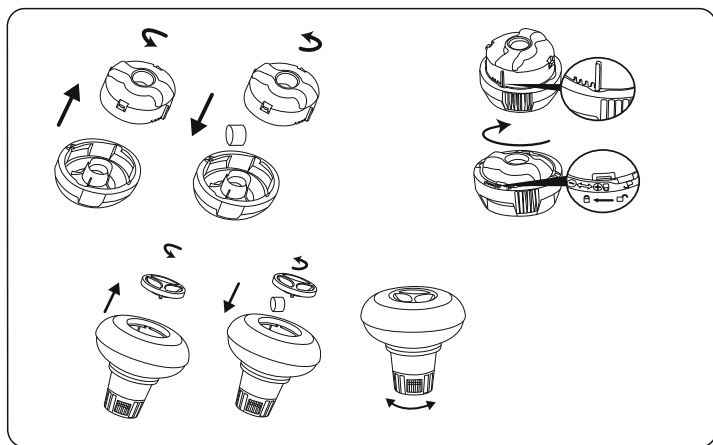
- ΔΕΝ ΠΡΕΠΕΙ ΝΑ ΧΡΗΣΙΜΟΠΟΙΕΙΤΑΙ ΑΜΜΟΣ ΓΙΑ ΤΗ ΔΗΜΙΟΥΡΓΙΑ ΜΙΑΣ ΕΠΙΠΕΔΗΣ ΒΑΣΗΣ, ΤΟ ΕΔΑΦΟΣ ΠΡΕΠΕΙ ΝΑ ΑΝΑΣΚΑΦΕΙ ΕΑΝ ΕΙΝΑΙ ΑΠΑΡΑΙΤΗΤΟ.
- ΑΠΕΥΘΕΙΑΣ ΚΑΤΩ ΑΠΟ ΥΠΕΡΚΕΙΜΕΝΑ ΗΛΕΚΤΡΙΚΑ ΚΑΛΩΔΙΑ Η ΔΕΝΤΡΑ. ΒΕΒΑΙΩΘΕΙΤΕ ΟΤΙ Η ΤΟΠΟΘΕΣΙΑ ΔΕΝ ΠΕΡΙΛΑΜΒΑΝΕΙ ΥΠΟΓΕΙΟΥΣ ΣΩΛΗΝΕΣ, ΓΡΑΜΜΕΣ Η ΚΑΛΩΔΙΑ ΚΟΙΝΗΣ ΩΦΕΛΕΙΑΣ ΟΠΟΙΟΥΔΗΠΟΤΕ ΕΙΔΟΥΣ.
- ΜΗΝ ΕΓΚΑΤΑΣΤΗΣΤΕ ΤΗΝ ΠΙΣΙΝΑ ΣΕ ΙΔΙΩΤΙΚΟΥΣ ΔΡΟΜΟΥΣ, ΞΥΛΙΝΑ ΔΑΠΕΔΑ, ΠΛΑΤΦΟΡΜΕΣ, ΕΠΙΦΑΝΕΙΕΣ ΑΠΟ ΧΑΛΚΙ Η ΑΣΦΑΛΤΟ, Η ΕΠΙΛΕΓΜΕΝΗ ΤΟΠΟΘΕΣΙΑ ΠΡΕΠΕΙ ΝΑ ΕΙΝΑΙ ΑΡΚΕΤΑ ΣΥΜΠΛΑΓΗ ΓΙΑ ΝΑ ΑΝΤΕΧΕΙ ΤΗΝ ΠΙΕΣΗ ΤΟΥ ΝΕΡΟΥ. ΛΑΣΠΗ, ΑΜΜΟΣ, ΜΑΛΑΚΟΧΑΛΑΡΟ ΕΔΑΦΟΣ Η ΠΙΣΙΝΑ ΔΕΝ ΕΙΝΑΙ ΚΑΤΑΛΛΗΛΗ.
- ΓΡΑΣΙΔΙ Η ΑΛΛΗ ΒΛΑΣΤΗΣΗ ΚΑΤΩ ΑΠΟ ΤΗΝ ΠΙΣΙΝΑ ΘΑ ΚΑΤΑΣΤΡΑΦΕΙ ΚΑΙ ΜΠΟΡΕΙ ΝΑ ΑΝΑΠΤΥΧΘΟΥΝ ΟΣΜΕΣ ΚΑΙ ΛΑΣΠΗ, ΣΥΝΕΠΩΣ ΠΡΟΤΕΙΝΟΥΜΕ ΝΑ ΑΦΑΙΡΕΘΕΙ ΟΛΟ ΤΟ ΓΡΑΣΙΔΙ ΑΠΟ ΤΗΝ ΕΠΙΛΕΓΜΕΝΗ ΘΕΣΗ ΓΙΑ ΤΗΝ ΠΙΣΙΝΑ.
- ΑΠΟΦΥΓΕΤΕ ΠΕΡΙΟΧΕΣ ΕΠΙΡΡΕΠΕΙΣ ΣΕ ΕΠΙΘΕΤΙΚΑ ΕΙΔΗ ΦΥΤΩΝ ΚΑΙ ΖΙΖΑΝΙΩΝ ΤΑ ΟΠΟΙΑ ΜΠΟΡΕΙ ΝΑ ΑΝΑΠΤΥΧΘΟΥΝ ΜΕΣΩ ΤΗΣ ΕΠΕΝΔΥΣΗΣ.
- ΣΗΜΕΙΩΣΗ:** ΕΛΕΓΞΤΕ ΜΕ ΤΗΝ ΤΟΠΙΚΗ ΑΥΤΟΔΙΟΙΚΗΣΗ ΤΟΥΣ ΚΑΝΟΝΙΣΜΟΥΣ ΠΟΥ ΑΦΟΡΟΥΝ ΣΕ ΠΕΡΙΦΡΑΣΗ, ΦΡΑΓΜΟΥΣ, ΦΩΤΙΣΜΟ ΚΑΙ ΤΙΣ ΑΠΑΙΤΗΣΕΙΣ ΑΣΦΑΛΕΙΑΣ ΚΑΙ ΕΞΑΣΦΑΛΙΣΤΕ ΟΤΙ ΣΥΜΜΟΡΦΩΝΕΣΤΕ ΜΕ ΤΗ ΝΟΜΟΘΕΣΙΑ.
- ΣΗΜΕΙΩΣΗ:** ΕΑΝ ΔΙΑΘΕΤΕΤΕ ΜΙΑ ΑΝΤΛΙΑ ΦΙΛΤΡΟΥ, ΑΝΤΡΕΣΤΕ ΣΤΟ ΕΓΧΕΙΡΙΔΙΟ ΤΗΣ ΑΝΤΛΙΑΣ ΓΙΑ ΟΔΗΓΙΕΣ.
- ΣΗΜΕΙΩΣΗ:** Η ΣΚΑΛΑ ΠΡΕΠΕΙ ΝΑ ΤΑΙΡΙΑΖΕΙ ΣΤΟ ΜΕΓΕΘΟΣ ΤΗΣ ΠΙΣΙΝΑΣ ΚΑΙ ΘΑ ΠΡΕΠΕΙ ΝΑ ΧΡΗΣΙΜΟΠΟΙΕΙΤΑΙ ΜΟΝΟ ΓΙΑ ΤΗΝ ΕΙΣΟΔΟ ΚΑΙ ΤΗΝ ΕΞΟΔΟ ΑΠΟ ΤΗΝ ΠΙΣΙΝΑ. ΑΠΑΓΟΡΕΥΕΤΑΙ ΝΑ ΥΠΕΡΒΑΙΝΕΤΕ ΤΟ ΕΠΙΤΡΕΠΟΜΕΝΟ ΦΟΡΤΙΟ ΤΗΣ ΣΚΑΛΑΣ. ΕΛΕΓΧΤΕ ΤΑΚΤΙΚΑ ΕΑΝ Η ΣΚΑΛΑ ΕΙΝΑΙ ΣΩΣΤΑ ΣΥΝΑΡΜΟΛΟΓΗΜΕΝΗ.

ΣΥΝΤΗΡΗΣΗ ΠΙΣΙΝΑΣ

ΕΑΝ ΔΕΝ ΣΥΜΜΟΡΦΩΘΕΙΤΕ ΜΕ ΤΙΣ ΟΔΗΓΙΕΣ ΣΥΝΤΗΡΗΣΗΣ ΠΟΥ ΑΝΑΓΡΑΦΟΝΤΑΙ ΚΑΙ ΕΠΙΣΗΜΑΙΝΟΝΤΑΙ ΠΑΡΑΚΑΤΩ, Η ΥΓΕΙΑ ΣΑΣ ΜΠΟΡΕΙ ΝΑ ΘΕΘΕΙ ΣΕ ΚΙΝΔΥΝΟ, ΙΔΙΑΙΤΕΡΩΣ ΔΕ ΑΥΤΗ ΤΩΝ ΠΑΙΔΙΩΝ.

ΧΡΗΣΗ ΧΗΜΙΚΩΝ ΤΑΜΠΛΕΤΩΝ (ΔΕΝ ΠΕΡΙΛΑΜΒΑΝΟΝΤΑΙ)

ΣΗΜΕΙΩΣΗ: ΤΟ "Chemconnect" (ΧΗΜΙΚΟΣ ΣΥΝΔΕΤΗΡΑΣ) Ή ΤΟ "Chemical Floater" (ΧΗΜΙΚΟΣ ΠΛΩΤΗΡΑΣ) ΠΡΕΠΕΙ ΝΑ ΧΡΗΣΙΜΟΠΟΙΟΥΝΤΑΙ ΟΤΑΝ ΚΑΝΕΤΕ ΧΗΜΙΚΗ ΣΥΝΤΗΡΗΣΗ ΜΕ ΔΙΣΚΙΑ. ΤΟ ΣΤΟΙΧΕΙΟ ΠΟΥ ΑΓΟΡΑΣΑΤΕ ΜΠΟΡΕΙ ΝΑ ΜΗΝ ΠΕΡΙΛΑΜΒΑΝΕΙ ΚΑΝΕΝΑΝ ΑΠΟ ΑΥΤΟΥΣ ΤΟΥΣ ΔΙΑΝΕΜΤΕΣ, ΣΕ ΑΥΤΗ ΤΗ ΠΕΡΙΠΤΩΣΗ ΕΠΙΣΚΕΦΘΕΙΤΕ ΤΗΝ ΙΣΤΟΣΕΛΙΔΑ ΜΑΣ www.bestwaycorp.com Η ΤΟΝ ΠΛΗΣΙΕΣΤΕΡΟ ΑΝΤΙΠΡΟΣΩΠΟ ΤΗΣ ΠΙΣΙΝΑΣ.



ΣΗΜΑΝΤΙΚΟ: ΜΗΝ ΧΡΗΣΙΜΟΠΟΙΕΙΤΕ ΘΡΥΜΑΤΙΣΜΕΝΑ ΣΕ ΚΟΚΚΟΥΣ ΔΙΣΚΙΑ Η ΠΕΤΑΞΕΤΕ ΤΟ ΔΙΣΚΙΟ ΑΠΕΥΘΕΙΑΣ ΣΤΟ ΝΕΡΟ. ΟΙ ΧΗΜΙΚΕΣ ΟΥΣΙΕΣ ΜΠΟΡΕΙ ΝΑ ΕΝΑΠΟΤΕΘΟΥΝ ΣΤΟ ΚΑΤΩ ΜΕΡΟΣ, ΝΑ ΒΛΑΨΟΥΝ ΤΟ ΥΛΙΚΟ ΚΑΙ ΝΑ ΑΠΟΧΡΩΜΑΤΙΣΟΥΝ ΤΟ ΡVC.

ΧΡΗΣΗ ΧΗΜΙΚΟΥ ΥΓΡΟΥ (ΔΕΝ ΠΕΡΙΛΑΜΒΑΝΕΤΑΙ)

ΣΗΜΑΝΤΙΚΟ: ΠΡΟΣΘΕΣΤΕ ΧΗΜΙΚΟ ΥΓΡΟ ΣΕ ΜΙΚΡΕΣ ΔΟΣΕΙΣ ΚΑΙ ΣΤΟ ΚΕΝΤΡΟ ΤΗΣ ΠΙΣΙΝΑΣ ΟΣΤΕ ΝΑ ΑΠΟΦΥΓΕΤΕ ΤΗΝ ΑΜΕΣΗ ΕΠΑΦΗ ΤΩΝ ΧΗΜΙΚΩΝ ΟΥΣΙΩΝ ΜΕ ΤΗΝ ΕΠΙΦΑΝΕΙΑ PVC. Η ΑΜΕΣΗ ΕΠΑΦΗ ΜΠΟΡΕΙ ΝΑ ΚΑΤΑΣΤΡΕΨΕΙ ΤΟ ΥΛΙΚΟ ΚΑΙ ΝΑ ΑΠΟΧΡΩΜΑΤΙΣΕΙ ΤΗΝ ΕΠΙΦΑΝΕΙΑ.

ΣΗΜΕΙΩΣΗ: ΑΦΑΙΡΕΣΤΕ ΤΟΝ ΧΗΜΙΚΟ ΔΙΑΝΟΜΕΑ ΑΠΟ ΤΗΝ ΠΙΣΙΝΑ, ΟΤΑΝ Η ΠΙΣΙΝΑ ΕΙΝΑΙ ΣΕ ΧΡΗΣΗ.

ΣΗΜΑΝΤΙΚΟ: ΜΕΤΑ ΤΗΝ ΕΚΤΕΛΕΣΗ ΤΗΣ ΧΗΜΙΚΗΣ ΣΥΝΤΗΡΗΣΗΣ ΚΑΙ ΠΡΙΝ ΤΗ ΧΡΗΣΗ ΤΗΣ ΠΙΣΙΝΑΣ, ΧΡΗΣΙΜΟΠΟΙΗΣΤΕ ΕΝΑ ΚΙΤ ΔΟΚΙΜΗΣ (ΔΕΝ ΠΕΡΙΛΑΜΒΑΝΕΤΑΙ) ΟΣΤΕ ΝΑ ΔΟΚΙΜΑΣΕΤΕ ΤΗ ΧΗΜΕΙΑ ΤΟΥ ΝΕΡΟΥ. ΣΑΣ ΣΥΝΙΣΤΟΥΜΕ ΝΑ ΔΙΑΤΗΡΕΙΤΕ ΤΟ ΝΕΡΟ ΣΥΜΦΩΝΑ ΜΕ ΤΟΝ ΠΑΡΑΚΑΤΩ ΠΙΝΑΚΑ.

ΠΑΡΑΜΕΤΡΟΙ	ΤΙΜΕΣ
ΔΙΑΥΓΕΙΑ ΝΕΡΟΥ	ΚΑΘΑΡΗ ΘΕΑ ΤΟΥ ΠΥΘΜΕΝΑ ΤΗΣ ΠΙΣΙΝΑΣ
ΧΡΩΜΑ ΝΕΡΟΥ	ΔΕΝ ΠΡΕΠΕΙ ΝΑ ΠΑΡΑΤΗΡΕΙΤΑΙ ΧΡΩΜΑ
ΘΟΛΟΤΗΤΑ ΣΕ FNU / NTU	ΜΕΓΙΣΤΟ 1,5 (ΚΑΤΑ ΠΡΟΤΙΜΗΣΗ ΜΙΚΡΟΤΕΡΟ ΑΠΟ 0,5)
ΣΥΓΚΕΝΤΡΩΣΗ ΝΙΤΡΙΚΟΥ ΑΛΑΤΟΣ ΜΕΓΑΛΥΤΕΡΗ ΑΠΟ ΕΚΕΙΝΗ ΤΗΣ ΠΛΗΡΩΣΗΣ ΜΕ ΝΕΡΟ ΣΕ mg/l	ΜΕΓΙΣΤΟ 20
ΟΛΙΚΟΣ ΟΡΓΑΝΙΚΟΣ ΑΝΘΡΑΚΑΣ (TOC) ΣΕ mg/l	ΜΕΓΙΣΤΟ 4,0
ΔΥΝΑΜΙΚΗ ΟΞΕΙΔΩΝΑΓΩΓΗ ΕΝΑΝΤΙ Ag/AgCl 3,5 ΜΕΤΡΑ ΚCl ΣΕ mV	ΕΛΑΧΙΣΤΟ 650
ΤΙΜΗ pH	6,8 ΕΩΣ 7,6
ΕΛΕΥΘΕΡΟ ΕΝΕΡΓΟ ΧΛΩΡΙΟ (ΧΩΡΙΣ ΚΥΑΝΟΥΡΙΚΟ ΟΞΥ) ΣΕ mg/l	0,3 ΕΩΣ 1,5
ΧΡΗΣΙΜΟΠΟΙΕΙΤΑΙ ΕΛΕΥΘΕΡΟ ΧΛΩΡΙΟ ΣΕ ΣΥΝΔΥΑΣΜΟ ΜΕ ΚΥΑΝΟΥΡΙΚΟ ΟΞΥ ΣΕ mg/l	1,0 ΕΩΣ 3,0
ΚΥΑΝΟΥΡΙΚΟ ΟΞΥ ΣΕ mg/l	ΜΕΓΙΣΤΟ 100
ΣΥΝΔΥΑΣΜΕΝΟ ΧΛΩΡΙΟ ΣΕ mg/l	ΜΕΓΙΣΤΟ 0,5 (ΚΑΤΑ ΠΡΟΤΙΜΗΣΗ ΚΟΝΤΑ ΣΤΟ 0,0 mg/l)

ΣΗΜΕΙΩΣΗ: ΖΗΜΙΕΣ ΠΟΥ ΠΡΟΚΥΠΤΟΥΝ ΑΠΟ ΧΗΜΙΚΗ ΑΝΙΣΟΡΡΟΠΙΑ ΔΕΝ ΚΑΛΥΠΤΟΝΤΑΙ ΑΠΟ ΤΗΝ ΕΓΓΥΗΣΗ. ΤΑ ΧΗΜΙΚΑ ΠΙΣΙΝΑΣ ΕΙΝΑΙ ΠΙΘΑΝΟΝ ΤΟΞΙΚΑ ΚΑΙ Γ' ΑΥΤΟ ΘΑ ΠΡΕΠΕΙ ΝΑ ΧΕΙΡΙΖΟΝΤΑΙ ΜΕ ΠΡΟΣΟΧΗ. ΥΠΑΡΧΟΥΝ ΣΟΒΑΡΟΙ ΚΙΝΔΥΝΟΙ ΓΙΑ ΤΗΝ ΥΓΕΙΑ ΑΠΟ ΧΗΜΙΚΟΥΣ ΑΤΜΟΥΣ ΚΑΙ ΑΠΟ ΤΗΝ ΛΑΝΘΑΣΜΕΝΗ ΣΗΜΑΝΣΗ ΚΑΙ ΑΠΟΘΗΚΕΥΣΗ ΤΩΝ ΔΟΧΕΙΩΝ ΜΕ ΤΑ ΧΗΜΙΚΑ. ΠΑΡΑΚΑΛΟΥΜΕ ΝΑ ΣΥΜΒΟΥΛΕΥΘΕΙΤΕ ΤΟ ΤΟΠΙΚΟ ΚΑΤΑΣΤΗΜΑ ΠΩΛΗΣΗΣ ΥΛΙΚΩΝ

ΠΙΣΙΝΑΣ ΓΙΑ ΠΕΡΙΣΣΟΤΕΡΕΣ ΠΛΗΡΟΦΟΡΙΕΣ ΣΧΕΤΙΚΑ ΜΕ ΤΗΝ ΧΗΜΙΚΗ ΣΥΝΤΗΡΗΣΗ. ΔΩΣΤΕ ΠΡΟΣΟΧΗ ΣΤΙΣ ΟΔΗΓΙΕΣ ΤΟΥ ΚΑΤΑΣΚΕΥΑΣΤΗ ΤΩΝ ΧΗΜΙΚΩΝ. ΖΗΜΙΕΣ ΣΤΗΝ ΠΙΣΙΝΑ ΠΟΥ ΠΡΟΚΥΠΤΟΥΝ ΑΠΟ ΛΑΝΘΑΣΜΕΝΗ ΧΡΗΣΗ ΤΩΝ ΧΗΜΙΚΩΝ ΚΑΙ ΚΑΚΗ ΔΙΑΧΕΙΡΙΣΗ ΤΟΥ ΝΕΡΟΥ ΤΗΣ ΠΙΣΙΝΑΣ ΔΕΝ ΚΑΛΥΠΤΟΝΤΑΙ ΑΠΟ ΤΗΝ ΕΓΓΥΗΣΗ.

ΣΗΜΑΝΤΙΚΟ: Η ΥΠΕΡΒΟΛΙΚΗ ΧΡΗΣΗ ΧΗΜΙΚΩΝ ΟΥΣΙΩΝ ΜΠΟΡΕΙ ΝΑ ΑΠΟΧΡΩΜΑΤΙΣΕΙ ΤΗΝ ΕΚΤΥΠΩΣΗ ΚΑΙ ΟΛΑ ΤΑ ΣΧΕΤΙΚΑ ΣΗΜΕΙΑ ΤΟΥ ΥΛΙΚΟΥ ΤΗΣ ΠΙΣΙΝΑΣ. ΜΠΟΡΕΙ ΕΠΙΣΗΣ ΝΑ ΚΑΤΑΣΤΡΕΨΕΙ ΤΗ ΔΟΜΗ ΤΗΣ ΕΠΕΝΔΥΣΗΣ ΤΗΣ ΠΙΣΙΝΑΣ.

ΓΙΑ ΝΑ ΔΙΑΤΗΡΕΙΤΕ ΤΗΝ ΠΙΣΙΝΑ ΚΑΘΑΡΗ:

1. ΕΠΙΚΟΙΝΩΝΗΣΤΕ ΜΕ ΤΟ ΤΟΠΙΚΟ ΚΑΤΑΣΤΗΜΑ ΤΗΣ ΠΙΣΙΝΑΣ ΓΙΑ ΣΥΜΒΟΥΛΕΣ ΚΑΙ ΑΓΟΡΑ ΧΗΜΙΚΩΝ ΚΑΙ ΚΙΤ pH. ΕΝΑΣ ΑΠΟ ΤΟΥΣ ΣΗΜΑΝΤΙΚΟΤΕΡΟΥΣ ΠΑΡΑΓΟΝΤΕΣ ΓΙΑ ΤΗΝ ΑΥΞΗΣΗ ΤΗΣ ΔΙΑΡΚΕΙΑΣ ΖΩΗΣ ΤΗΣ ΕΠΕΝΔΥΣΗΣ ΕΙΝΑΙ ΝΑ ΔΙΑΤΗΡΕΙΤΑΙ ΣΥΝΕΧΩΣ ΚΑΘΑΡΟ ΚΑΙ ΥΓΙΕΙΝΟ ΝΕΡΟ. ΑΚΟΛΟΥΘΗΣΤΕ ΑΥΣΤΗΡΑ ΤΙΣ ΣΧΕΤΙΚΕΣ ΟΔΗΓΙΕΣ ΑΠΟ ΕΠΑΓΓΕΛΜΑΤΙΕΣ ΤΕΧΝΙΚΟΥΣ ΓΙΑ ΤΗΝ ΕΠΕΞΕΡΓΑΣΙΑ ΤΟΥ ΝΕΡΟΥ ΜΕΣΩ ΤΗΣ ΧΡΗΣΗΣ ΧΗΜΙΚΩΝ ΟΥΣΙΩΝ.
2. ΤΟΠΟΘΕΤΗΣΤΕ ΕΝΑΝ ΚΑΔΟ ΜΕ ΝΕΡΟ ΔΙΠΛΑ ΣΤΗΝ ΠΙΣΙΝΑ ΩΣΤΕ ΟΙ ΧΡΗΣΤΕΣ ΝΑ ΚΑΘΑΡΙΖΟΥΝ ΤΑ ΠΟΔΙΑ ΤΟΥΣ ΠΡΙΝ ΜΠΟΥΝ ΣΤΗΝ ΠΙΣΙΝΑ.
3. ΚΑΛΥΨΤΕ ΕΝΤΕΛΩΣ ΤΗΝ ΠΙΣΙΝΑ ΟΤΑΝ ΔΕΝ ΤΗ ΧΡΗΣΙΜΟΠΟΙΕΙΤΕ.
4. ΑΔΕΙΑΖΕΤΕ ΤΑΚΤΙΚΑ ΤΗΝ ΠΙΣΙΝΑ ΩΣΤΕ ΝΑ ΑΠΟΦΥΓΕΤΕ ΤΗ ΡΥΠΑΝΣΗ.
5. ΕΛΕΓΧΕΤΕ ΚΑΙ ΚΑΘΑΡΙΖΕΤΕ ΤΑΚΤΙΚΑ ΤΗΝ ΚΑΣΕΤΑ ΦΙΛΤΡΟΥ.
6. ΚΑΘΑΡΙΣΤΕ ΑΠΛΑ ΑΠΟ ΚΑΤΩ ΕΩΣ ΤΟΝ ΕΠΑΝΩ ΔΑΚΤΥΛΙΟ ΜΕ ΕΝΑ ΚΑΘΑΡΟ ΠΑΝΙ ΑΠΟΜΑΚΡΥΝΟΝΤΑΣ ΟΠΟΙΟΔΗΠΟΤΕ ΞΕΝΟ ΣΩΜΑ ΥΠΑΡΧΕΙ.
7. ΣΕ ΠΕΡΙΠΤΩΣΗ ΒΡΟΧΗΣ, ΝΑ ΕΛΕΓΞΕΤΕ ΠΡΟΣΕΚΤΙΚΑ ΟΤΙ Η ΣΤΑΘΜΗ ΤΟΥ ΝΕΡΟΥ ΔΕΝ ΕΙΝΑΙ ΥΨΗΛΟΤΕΡΗ ΑΠΟ ΤΗΝ ΑΝΑΜΕΝΟΜΕΝΗ. ΕΑΝ ΕΙΝΑΙ, ΤΟΤΕ ΠΡΕΠΕΙ ΝΑ ΑΔΕΙΑΣΕΤΕ ΤΟ ΠΛΕΟΝΑΖΩΝ ΝΕΡΟ.
8. ΕΑΝ ΒΡΕΧΕΙ, ΕΛΕΓΞΕΤΕ ΟΤΙ Η ΣΤΑΘΜΗ ΤΟΥ ΝΕΡΟΥ ΔΕΝ ΕΙΝΑΙ ΥΨΗΛΟΤΕΡΗ ΑΠΟ ΤΟ ΚΑΘΟΡΙΣΜΕΝΟ ΕΠΙΠΕΔΟ. ΕΑΝ ΤΟ ΝΕΡΟ ΥΠΕΡΒΕΙ ΤΟ ΚΑΘΟΡΙΣΜΕΝΟ ΕΠΙΠΕΔΟ, ΑΠΟΣΤΡΑΓΓΙΣΤΕ ΤΟ ΠΛΕΟΝΑΖΩΝ ΩΣΤΕ Η ΠΙΣΙΝΑ ΝΑ ΕΧΕΙ ΝΕΡΟ ΜΕΧΡΙ ΤΟ ΚΑΘΟΡΙΣΜΕΝΟ ΕΠΙΠΕΔΟ.

Η ΣΩΣΤΗ ΣΥΝΤΗΡΗΣΗ ΜΠΟΡΕΙ ΝΑ ΜΕΓΙΣΤΟΠΟΙΗΣΕΙ ΤΗ ΔΙΑΡΚΕΙΑ ΖΩΗΣ ΤΗΣ ΠΙΣΙΝΑΣ ΣΑΣ.

ΚΑΤΑ ΤΗ ΔΙΑΡΚΕΙΑ ΤΗΣ ΧΡΗΣΗΣ ΤΗΣ ΠΙΣΙΝΑΣ, ΤΟ ΣΥΣΤΗΜΑ ΦΙΛΤΡΑΡΙΣΜΑΤΟΣ ΠΡΕΠΕΙ ΝΑ ΤΙΘΕΤΑΙ ΥΠΟΧΡΕΩΤΙΚΑ ΣΕ ΛΕΙΤΟΥΡΓΙΑ ΚΑΘΕ ΗΜΕΡΑ, ΑΡΚΕΤΟΣ ΧΡΟΝΟΣ ΩΣΤΕ ΝΑ ΕΞΑΣΦΑΛΙΣΤΕΙ ΤΟΥΛΑΧΙΣΤΟΝ ΜΙΑ ΠΛΗΡΗΣ ΑΝΑΝΕΩΣΗ ΤΟΥ ΟΓΚΟΥ ΤΟΥ ΝΕΡΟΥ.

ΣΗΜΕΙΩΣΗ: Η ΑΝΤΛΙΑ ΧΡΗΣΙΜΟΠΟΙΕΙΤΑΙ ΓΙΑ ΝΑ ΚΥΚΛΟΦΟΡΕΙ ΤΟ ΝΕΡΟ ΚΑΙ ΓΙΑ ΝΑ ΦΙΛΤΡΑΡΕΙ ΤΑ ΜΙΚΡΑ ΣΩΜΑΤΙΔΙΑ. ΓΙΑ ΝΑ ΔΙΑΤΗΡΗΣΕΤΕ ΤΟ ΝΕΡΟ ΤΗΣ ΠΙΣΙΝΑΣ ΚΑΘΑΡΟ ΚΑΙ ΥΓΙΕΙΝΟ,

ΕΠΙΣΚΕΥΗ

ΣΕ ΠΕΡΙΠΤΩΣΗ ΔΙΑΡΡΟΗΣ, ΕΠΙΔΙΟΡΘΩΣΤΕ ΤΗΝ ΠΙΣΙΝΑ ΧΡΗΣΙΜΟΠΟΙΩΝΤΑΣ ΤΟ ΥΠΟΒΡΥΧΙΟ ΑΥΤΟΚΟΛΛΗΤΟ ΕΠΙΡΑΜΜΑ ΕΠΙΣΚΕΥΗΣ ΠΟΥ ΠΑΡΕΧΕΤΑΙ. ΜΠΟΡΕΙΤΕ ΝΑ ΒΡΕΙΤΕ ΤΙΣ ΟΔΗΓΙΕΣ ΣΤΟ ΠΕΔΙΟ «ΣΥΧΝΕΣ ΕΡΩΤΗΣΕΙΣ» ΣΤΗΝ ΕΝΟΤΗΤΑ ΥΠΟΣΤΗΡΙΞΗΣ ΤΗΣ ΙΣΤΟΣΕΛΙΔΑΣ ΜΑΣ, www.bestwaycorp.com.

ΑΠΟΣΥΝΑΡΜΟΛΟΓΗΣΗ

1. ΞΕΒΙΔΩΣΤΕ ΤΟ ΠΩΜΑ ΒΑΛΒΙΔΑΣ ΠΑΡΟΧΕΤΕΥΣΗΣ ΣΤΟ ΕΞΩΤΕΡΙΚΟ ΤΗΣ ΠΙΣΙΝΑΣ ΜΕ ΦΟΡΑ ΑΝΤΙΘΕΤΗ ΑΥΤΗΣ ΤΩΝ ΔΕΙΚΤΩΝ ΤΟΥ ΡΟΛΟΓΙΟΥ ΚΑΙ ΑΦΑΙΡΕΣΤΕ.
2. ΣΥΝΔΕΣΤΕ ΤΟΝ ΠΡΟΣΑΡΜΟΓΕΑ ΣΤΟ ΣΩΛΗΝΑ ΚΑΙ ΒΑΛΤΕ ΤΟ ΑΛΛΟ ΑΚΡΟ ΤΟΥ ΣΩΛΗΝΑ ΣΤΗΝ ΠΕΡΙΟΧΗ ΟΠΟΥ ΠΡΟΚΕΙΤΑΙ ΝΑ ΠΑΡΟΧΕΤΕΥΣΕΤΕ ΤΗΝ ΠΙΣΙΝΑΣ ΣΑΣ. (ΕΛΕΓΞΕΤΕ ΤΟΥΣ ΤΟΠΙΚΟΥΣ ΚΑΝΟΝΙΣΜΟΥΣ ΓΙΑ ΝΟΜΟΘΕΣΙΑ ΠΑΡΟΧΕΤΕΥΣΗΣ).
3. ΒΙΔΩΣΤΕ ΤΟΝ ΔΑΚΤΥΛΙΟ ΕΛΕΓΧΟΥ ΤΟΥ ΠΡΟΣΑΡΜΟΓΕΑ ΣΩΛΗΝΑ ΣΤΗΝ ΒΑΛΒΙΔΑ ΑΠΟΣΤΡΑΓΓΙΣΗΣ ΜΕ ΦΟΡΑ ΑΥΤΗΣ ΤΩΝ ΔΕΙΚΤΩΝ ΤΟΥ ΡΟΛΟΓΙΟΥ. Η ΒΑΛΒΙΔΑ ΑΠΟΣΤΡΑΓΓΙΣΗΣ ΘΑ ΑΝΟΙΞΕΙ ΚΑΙ ΘΑ ΑΡΧΙΣΕΙ ΑΥΤΟΜΑΤΑ Η ΕΚΚΕΝΩΣΗ ΤΟΥ ΝΕΡΟΥ.
ΠΡΟΣΟΧΗ: Η ΡΟΗ ΝΕΡΟΥ ΜΠΟΡΕΙ ΝΑ ΕΛΕΓΧΘΕΙ ΜΕ ΤΟΝ ΔΑΚΤΥΛΙΟ ΕΛΕΓΧΟΥ.
4. ΟΤΑΝ ΤΕΛΕΙΩΣΕΙ Η ΕΚΚΕΝΩΣΗ, ΞΕΒΙΔΩΣΤΕ ΤΟΝ ΔΑΚΤΥΛΙΟ ΕΛΕΓΧΟΥ ΓΙΑ ΝΑ ΚΛΕΙΣΕΤΕ ΤΗΝ ΒΑΛΒΙΔΑ.
5. ΑΠΟΣΥΝΔΕΣΤΕ ΤΟ ΣΩΛΗΝΑ.
6. ΒΙΔΩΣΤΕ ΠΑΛΙ ΤΟ ΠΩΜΑ ΣΤΗΝ ΒΑΛΒΙΔΑ ΑΠΟΣΤΡΑΓΓΙΣΗΣ.
7. ΣΤΕΓΝΩΣΤΕ ΤΗΝ ΠΙΣΙΝΑ ΜΕ ΑΕΡΑ.
ΠΡΟΣΟΧΗ: ΜΗΝ ΑΦΗΝΕΤΕ ΤΗΝ ΑΔΕΙΑΣΜΕΝΗ ΠΙΣΙΝΑ ΕΞΩ.

ΦΥΛΑΞΗ

1. ΒΓΑΛΤΕ ΟΛΑ ΤΑ ΕΞΑΡΤΗΜΑΤΑ ΚΑΙ ΑΝΤΑΛΛΑΚΤΙΚΑ ΑΠΟ ΤΗΝ ΠΙΣΙΝΑ ΚΑΙ ΑΠΟΘΗΚΕΥΣΤΕ ΤΑ ΚΑΘΑΡΑ ΚΑΙ ΣΤΕΓΝΑ.
2. ΜΟΛΙΣ ΣΤΕΓΝΩΣΕΙ ΕΝΤΕΛΩΣ Η ΠΙΣΙΝΑ, ΒΑΛΤΕ ΣΚΟΝΗ ΠΟΥΔΡΑΣ ΓΙΑ ΝΑ ΑΠΟΦΕΥΧΤΕ ΤΟ ΚΟΛΛΗΜΑ ΤΗΣ ΠΙΣΙΝΑΣ ΚΑΙ ΔΙΠΛΩΣΤΕ ΤΗΝ ΠΡΟΣΕΚΤΙΚΑ. ΑΝ Η ΠΙΣΙΝΑ ΔΕΝ ΕΧΕΙ ΣΤΕΓΝΩΣΕΙ ΕΝΤΕΛΩΣ, ΜΠΟΡΕΙ ΝΑ ΜΟΥΧΛΙΑΣΕΙ ΚΑΙ ΝΑ ΚΑΤΑΣΤΡΑΦΕΙ Η ΕΠΕΝΔΥΣΗ ΤΗΣ ΠΙΣΙΝΑΣ.
3. ΦΥΛΑΣΤΕ ΤΗΝ ΕΠΕΝΔΥΣΗ ΚΑΙ ΤΑ ΕΞΑΡΤΗΜΑΤΑ ΣΕ ΞΗΡΟ ΧΩΡΟ ΜΕ ΜΕΤΡΙΑ ΘΕΡΜΟΚΡΑΣΙΑ ΜΕΤΑΞΥ 5 ΒΑΘΜΟΥΣ ΚΕΛΣΙΟΥ (41 ΒΑΘΜΟΥΣ ΦΑΡΕΝΑΪΤ) ΚΑΙ 38 ΒΑΘΜΟΥΣ ΚΕΛΣΙΟΥ (100 ΒΑΘΜΟΥΣ ΦΑΡΕΝΑΪΤ).
4. ΚΑΤΑ ΤΗΝ ΕΠΟΧΗ ΤΩΝ ΒΡΟΧΩΝ, Η ΠΙΣΙΝΑ ΚΑΙ ΤΑ ΕΞΑΡΤΗΜΑΤΑ ΠΡΕΠΕΙ ΝΑ ΦΥΛΑΣΣΟΝΤΑΙ ΣΥΜΦΩΝΑ ΜΕ ΤΙΣ ΠΑΡΑΠΑΝΩ ΟΔΗΓΙΕΣ.
5. Η ΑΚΑΤΑΛΛΗΛΗ ΑΠΟΣΤΡΑΓΓΙΣΗ ΤΗΣ ΠΙΣΙΝΑΣ ΜΠΟΡΕΙ ΝΑ ΠΡΟΚΑΛΕΣΕΙ ΣΟΒΑΡΟ ΠΡΟΣΩΠΙΚΟ ΤΡΑΥΜΑΤΙΣΜΟ Ή ΚΑΙ ΒΛΑΒΗ ΣΤΗΝ ΠΡΟΣΩΠΙΚΗ ΙΔΙΟΚΤΗΣΙΑ.

ИГРОВОЙ БАССЕЙН С НАВЕСОМ

РУКОВОДСТВО ПОЛЬЗОВАТЕЛЯ

⚠ ВНИМАНИЕ

Внимательно прочитайте информацию в руководстве пользователя, убедитесь в том, что вам все понятно, и следуйте указаниям при установке и использовании бассейна. Эти предостережения, инструкции, меры предосторожности предупреждают о некоторых распространенных рисках отдыха и игр в воде, но не покрывают всех рисков и все возможные опасности. Будьте осторожны, рассудительны и разумны при отдыхе и играх в воде. Сохраните эту брошюру для дальнейшего использования в справочных целях.

Безопасность пользователей, не умеющих плавать

- Компетентный взрослый должен постоянно внимательно и активно присматривать за детьми, которые не умеют плавать или плавают не очень хорошо (помните, что наибольшему риску утонуть подвержены дети до пяти лет).

- Каждый раз при использовании бассейна поручайте наблюдение за детьми компетентному взрослому.

- Дети, которые не умеют плавать или плавают не очень хорошо, должны использовать специальное защитное снаряжение при использовании бассейна.

- Когда бассейн не используется, или когда за ним никто не присматривает, уберите все игрушки из бассейна и прилегающей зоны, чтобы дети не могли заинтересоваться ими и приблизиться к бассейну.

Устройства, обеспечивающие безопасность

- Чтобы предотвратить риск утопления детей, рекомендуется закрыть доступ в бассейн защитным ограждением. Чтобы помешать детям карабкаться на впускной и выпускной клапаны, рекомендуется установить ограждение (и блокировать все окна и двери, если они имеются), чтобы предотвратить доступ в бассейн без разрешения.

- Ограждения, покрытия бассейна, сигнализация в бассейне и прочие защитные устройства полезны, но они не могут заменить постоянную и компетентное наблюдение, осуществляемое взрослыми.

Оборудование, обеспечивающее безопасность

- Рекомендуется хранить спасательное оборудование (напр., спасательный круг) в непосредственной близости от бассейна.

- Держите работающий телефон и список номеров телефонов экстренной связи в непосредственной близости от бассейна.

Безопасное использование бассейна

- Посоветуйте всем пользователям, особенно детям, научиться плавать.

- Изучите базовые техники экстренной первой помощи (сердечно-легочная реанимация - СЛР) и регулярно освежайте ваши знания. Если произойдет несчастный случай, вы сможете спасти жизнь человека.

- Объясните все пользователям бассейна, особенно детям, что делать в случае чрезвычайного происшествия.

- Никогда не ныряйте на мелководье. Это может привести к серьезным травмам или смерти.

- Не используйте бассейн, если вы выпили алкогольный напиток или приняли лекарство, которое может негативно повлиять на вашу способность безопасно пользоваться бассейном.

- Если вы используете покрытие бассейна, полностью уберите его с поверхности воды перед тем, как использовать бассейн.

- Защищайте пользователей бассейна от болезней, которые могут передаваться через воду, регулярно очищая воду и следуя правилам гигиены. Следуйте инструкциям по очистке воды, содержащимся в этом руководстве пользователя.

- Храните химикаты (напр., для очистки воды, чистящие и дезинфицирующие средства) в недоступном для детей месте.

- Используйте указанные ниже предупредительные знаки. Знаки должны быть установлены на видном месте на расстоянии 2 м от бассейна.



В воде дети должны находиться под присмотром взрослых. Нырять запрещается

- Съемные лестницы должны быть установлены на ровной поверхности.

- Независимо от материалов, из которых изготовлен бассейн, регулярно проверяйте доступные поверхности, чтобы избежать риска травм.

- Регулярно проверяйте болты и винты; удаляйте обломки и острые углы, чтобы избежать риска травм.

- **ВНИМАНИЕ:** Не оставляйте бассейн со слитой водой на улице. Пустой бассейн может деформироваться и/или опрокинуться от ветра.

- Если в комплект поставки входит фильтрующий насос, см. инструкции в руководстве пользователя насоса.

- **ВНИМАНИЕ!** Запрещается пользоваться насосом, когда люди находятся в бассейне!

- Если в комплект поставки входит лестница, см. инструкции в руководстве пользователя лестницы.

- **ВНИМАНИЕ!** При использовании плавательным бассейном необходимо соблюдать инструкции по технике безопасности, содержащиеся в руководстве по эксплуатации и обслуживанию. Чтобы избежать опасности утопления или других серьезных травм, внимательно следите за тем, чтобы дети до 5 лет не попали в бассейн без разрешения. Оборудуйте доступ к бассейну защитными устройствами и постоянно держите детей под наблюдением взрослых во время использования бассейна.

Внимательно изучите инструкции и сохраните их для дальнейшего использования в справочных целях.

Установка силами 2-3 человек обычно занимает приблизительно 20 минут, не считая земляных работ и наполнения бассейна водой.

ВЫБЕРИТЕ ПРАВИЛЬНОЕ МЕСТО УСТАНОВКИ

ВАЖНО! Бассейн необходимо устанавливать на полностью ровной и горизонтальной поверхности. Не устанавливайте бассейн на наклонных поверхностях и склонах.

Правильные условия установки бассейна

• Выбранный участок должен равномерно выдерживать вес бассейна в течение всего времени его установки; кроме того, участок должен быть ровным и освобожден от всех посторонних предметов и мусора, включая камни и ветки.

• Рекомендуем устанавливать бассейн вдалеке от предметов, которые дети могут использовать для того, чтобы забраться в него.

ПРИМЕЧАНИЕ. Устанавливайте бассейн рядом с подходящей системой слива, чтобы, при необходимости, устранить переливание или опорожнить бассейн.

ПРИМЕЧАНИЕ. Устанавливайте бассейн рядом с сетевой розеткой, защищенной УЗО (устройством защитного отключения).

Неправильные условия установки бассейна

• На неровной поверхности бассейн может перевернуться, что приведет к серьезным травмам и/или повреждению личного имущества, аннулирует гарантию и делает невозможным обращение в сервисную службу.

• Не формируйте ровную поверхность с помощью песка; при необходимости сровняйте землю.

• Непосредственно под воздушными линиями электропередач или деревьями. Убедитесь в том, что на выбранном участке нет подземных коммуникаций, линий или кабелей.

• Не устанавливайте бассейн на подъездных дорожках, настилах, платформах, гравии или асфальте. Выбранный участок должен быть достаточно твердым, чтобы выдерживать давление воды; грязь, песок, мягкая/рыхлая почва или смола не подходят.

• Трава и другая растительность под бассейном погибнет и может привести к возникновению неприятных запахов и слизи, поэтому рекомендуем удалить с выбранного для установки участка всю траву.

• Избегайте участков, на которых агрессивные виды растений и сорняков могут прорасти через чашу бассейна.

ПРИМЕЧАНИЕ. Обратитесь в местные органы власти за информацией о постановлениях, касающихся ограждения, барьеров, освещения, и нормах техники безопасности и неукоснительно их соблюдайте.

ПРИМЕЧАНИЕ. Если в комплект поставки входит фильтрующий насос, см. инструкции в его руководстве пользователя.

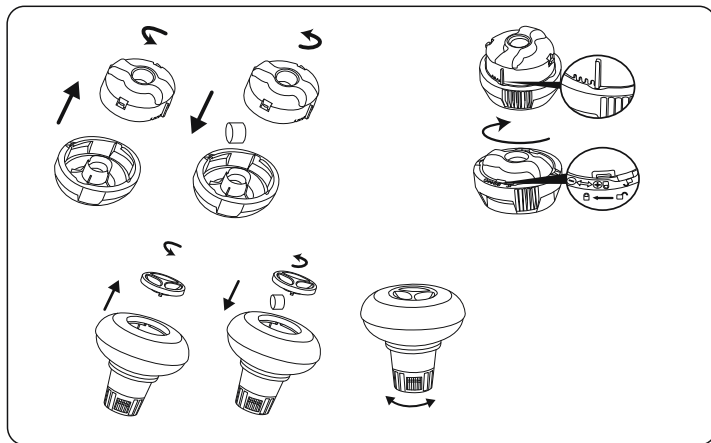
ПРИМЕЧАНИЕ. Лестница должна соответствовать размеру бассейна; пользуйтесь ею только для того, чтобы войти и выйти из бассейна. Запрещено превышать полезную нагрузку лестницы. Регулярно проверяйте, правильно ли собрана лестница.

Обслуживание бассейна

В случае невыполнения указанных рекомендаций по обслуживанию бассейна вы можете подвергнуть опасности свое здоровье, особенно здоровье своих детей.

Использование таблеток химических средств (в комплект не входят):

ПРИМЕЧАНИЕ. Дозатор Chemconnect или поплавок для химических средств (Chemical Floater) следует использовать, если вы осуществляете обработку воды химическими веществами с помощью таблеток. В комплект приобретенного вами изделия может не входить ни один из этих дозаторов. В этом случае вы можете приобрести их, посетив наш веб-сайт www.bestwaycorp.com, или у ближайшего дилера по продаже бассейнов.



ВАЖНО! Не используйте гранулированные таблетки и не бросайте таблетки непосредственно в воду. Химикаты могут отложиться на дне, повредить материал и обесцветить ПВХ.

Использование растворов химических средств (в комплект не входят):

ВАЖНО! Добавляйте химический раствор небольшими дозами и в центре бассейна, во избежание непосредственного контакта между химикатами и поверхностью ПВХ. При непосредственном соприкосновении химикаты могут повредить материал и обесцветить поверхность.

ПРИМЕЧАНИЕ. На время пользования бассейном удаляйте из него дозатор химических средств.

ВАЖНО! После того как вы очистили воду с помощью химических средств, а также перед использованием бассейна, воспользуйтесь тестовым набором (не входит в комплект поставки), чтобы проверить химический состав воды. Мы рекомендуем поддерживать воду в рамках значений, указанных в следующей таблице.

Параметры	Значения
Прозрачность воды	Ясно видно дно бассейна
Цвет воды	Вода должна быть бесцветной
Мутность в FNU/NTU	макс. 1,5 (желательно менее 0,5)
Концентрация нитратов больше, чем в воде наполнения, в мг/л	макс. 20
Общее количество органического углерода (ООУ) в мг/л	макс. 4,0
Редокс-потенциал против Ag/AgCl 3,5 м KCl в мВ	мин. 650
значение pH	от 6,8 до 7,6
Свободный активный хлор (без циануровой кислоты) в мг/л	от 0,3 до 1,5
Свободный хлор, используемый в сочетании с циануровой кислотой в мг/л	от 1,0 до 3,0
Циануровая кислота в мг/л	макс. 100
Смешанный хлор в мг/л	макс. 0,5 (желательно ближе к 0,0 мг/л)

ПРИМЕЧАНИЕ. Гарантия не распространяется на ущерб, причиненный в результате химического дисбаланса. Химические средства для очистки воды в бассейне потенциально токсичны; следует обращаться с ними осторожно. Серьезную опасность для здоровья могут представлять собой испарения химических веществ, а также неправильно подписанные или неправильно хранящиеся контейнеры с химическими веществами. Обратитесь к своему

местному продавцу бассейнов, чтобы получить более подробную информацию об обработке воды химическими средствами. Строго соблюдайте инструкции производителей химических средств. Повреждение бассейна, причиненное в результате неправильного применения химических средств и неправильным уходом за водой бассейна, не покрывается гарантией. **ВАЖНО!** Чрезмерное применение химикатов может обесцветить рисунки и материал бассейна. Это может также повредить структуру чаши бассейна.

Чтобы содержать свой бассейн в чистоте:

1. Обратитесь в свой местный магазин по продаже бассейнов и приобретите химикаты и наборы pH. Постоянное поддержание воды в чистом и безопасном для здоровья состоянии является одним из важнейших факторов длительного срока службы чаши бассейна. Строго соблюдайте инструкции профессиональных специалистов по обработке воды с помощью химических средств.
2. Установите емкость с водой рядом с бассейном, чтобы пользователи могли промыть ноги перед входом в бассейн.
3. Накрывайте бассейн, когда он не используется.
4. Регулярно очищайте поверхность воды бассейна, не допуская осаждения загрязнений.
5. Регулярно проверяйте и промывайте картридж фильтра.
6. Чистой тканью аккуратно очищайте пену и грязь с нижней стороны верхнего кольца.
7. В случае дождя внимательно следите за тем, чтобы не был превышен заданный уровень воды. В противном случае **СЛЕДУЕТ СЛИТЬ ЛИШНЮЮ ВОДУ**.
8. Если идет дождь, следите, чтобы уровень воды в бассейне не превышал заданного значения. В случае превышения заданного уровня, слейте воду из бассейна до указанного уровня.

Надлежащий уход за бассейном может продлить срок его службы.

В сезон пользования плавательным бассейном фильтрационную систему необходимо включать каждый день на время, достаточное для того, чтобы обеспечить полное обновление объема воды.

ПРИМЕЧАНИЕ. Насос используется для циркуляции воды и фильтрации мелких частиц. Для поддержания чистоты и гигиены воды в бассейне также следует использовать химикаты.

Ремонт

В случае протечки заклейте бассейн клейкой заплатой специально для ремонта поверхности, находящейся под водой (входит в комплект поставки). Инструкции можно найти в часто задаваемых вопросах раздела поддержки на нашем веб-сайте www.bestwaycorp.com.

Разборка

1. Отвинтите и снимите крышку сливного клапана с внешней стороны бассейна против часовой стрелки.
2. Подсоедините переходник к шлангу, другой конец шланга протяните туда, куда вы собираетесь сливать воду из бассейн. (Проверьте, какие местные правила по сливу воды могут действовать в вашей местности).
3. Навинтите управляющее кольцо шлангового переходника на сливной клапан по часовой стрелке. Сливной клапан откроется, и вода начнет уходить в канализацию.
ВНИМАНИЕ: Поток воды регулируется управляющим кольцом.
4. Когда вся вода уйдет, свинтите управляющее кольцо, чтобы закрыть клапан.
5. Отсоедините шланг.
6. Навинтите обратно крышку на сливной клапан.
7. Просушите бассейн на воздухе.

ВНИМАНИЕ: Не оставляйте пустой бассейн на открытом воздухе.

Хранение

1. Выньте все принадлежности и детали из бассейна и уложите их на хранение в чистом и сухом виде.
2. После того как бассейн полностью высохнет, посыпьте его тальком, чтобы он не слипался, и аккуратно сложите. Если бассейн не полностью высох, возможно возникновение плесени, которая повредит полотно бассейна.
3. Храните полотно бассейна и принадлежности в сухом месте при умеренной температуре в интервале от 5 до 38 градусов Цельсия 5°C / 41°F - 38°C / 100°F.
4. Во время дождливого сезона бассейн и принадлежности к нему следует хранить так, как указано выше.
5. Неправильный слив воды из бассейна может стать причиной серьезной травмы и (или) повреждения имущества.

BRODZIK DO PLUSKANIA Z DASZKIEM

INSTRUKCJA OBSŁUGI

⚠ OSTRZEŻENIE

Przed montażem i użyciem basenu przeczytaj dokładnie i ze zrozumieniem wszystkie informacje zawarte w instrukcji obsługi i postępuj zgodnie z nimi. Ostrzeżenia, instrukcje i wskazówki dotyczące bezpieczeństwa obejmują niektóre z zagrożeń powszechnych dla rekreacji wodnej, nie obejmują w żadnym razie wszystkich możliwych zagrożeń. Przy każdej zabawie w wodzie należy kierować się zdrowym rozsądkiem i oceną sytuacji. Zachowaj tą informację do późniejszego wglądu.

Bezpieczeństwo osób nie umiejących pływać

- Wymagany jest zawsze ciągły, aktywny i czynny nadzór kompetentnej osoby dorosłej jeśli w basenie znajdują się słabo pływające lub nieumiejące pływać (pamiętaj, że dzieci poniżej 5 roku życia są zagrożone w najwyższym stopniu utonięciem).

- Przed każdym użyciem basenu wyznacz kompetentną osobą dorosłą w celu jego nadzoru.

- Osoby słabo pływające lub nieumiejące pływać, podczas korzystania z basenu powinny zakładać środki ochrony indywidualnej.

- Kiedy basen nie jest używany lub pozostaje bez nadzoru, należy usunąć z niego i jego otoczenia wszystkie zabawki, aby w ten sposób nie przyciągać uwagi dzieci.

Środki ochrony osobistej

- Aby zapobiec utonięciu, zaleca się zabezpieczenie dostępu dzieci do basenu przy pomocy odpowiednich urządzeń ochronnych. Aby zapobiec wspinaniu się przez dzieci na zawór wlotowy i wylotowy, zalecane jest zamontowanie bariery (i zabezpieczenie w razie potrzeby wszystkich drzwi i okien) zapobiegającej nieupoważnionemu dostępowi do basenu.

- Bariery, pokrywy na basen lub podobne zabezpieczenia stanowią użyteczną pomoc, ale nie zastępują stałego i kompetentnego nadzoru przez dorosłych.

Sprzęt ratunkowy

- Zaleca się posiadanie sprzętu ratunkowego (np. koła ratunkowego) w pobliżu basenu.

- W pobliżu basenu należy mieć działający telefon oraz listę numerów telefonów ratunkowych.

Bezpieczne korzystanie z basenu

- Zachęcaj wszystkich użytkowników, a szczególnie dzieci do nauki pływania.

- Naucz się podstawowych technik ratowania życia (resuscytacji krążeniowo-oddechowej – CPR) i regularnie odświeżaj tę wiedzę. Może ona pomóc w uratowaniu życia w nagłym wypadku.

- Naucz wszystkich użytkowników basenu, w tym dzieci, co mają robić w razie niebezpieczeństwa.

- Nigdy nie wskakuj na główkę do płytkiej wody. Może to spowodować poważne obrażenia, a nawet śmierć.

- Nie korzystaj z basenu po spożyciu alkoholu lub leków, które mogą negatywnie wpływać na zdolność bezpiecznego korzystania z basenu.

- W przypadku używania pokrywy na basen, przed wejściem do basenu zdejmij je całkowicie z powierzchni wody.

- Chroń użytkowników basenu przed chorobami związanymi z wodą uzdatniając wodę do basenu i zachowując zasady prawidłowej higieny. Zapoznaj się z wytycznymi dotyczącymi uzdatniania wody w instrukcji obsługi.

- Chemikalia (np. środki do uzdatniania wody, czyszczące i dezynfekcyjne) trzymaj poza zasięgiem dzieci.

- Stosuj oznakowanie opisane poniżej. Oznakowanie należy ustawić w widocznym miejscu w odległości nie większej niż 2 m od basenu.



Nadzoruj dzieci w środowisku wodnym. Nie nurkować.

- Zdejmowanie drabinki należy ustawiać na powierzchni poziomej.

- Aby uniknąć obrażeń, powierzchnie dostępne należy regularnie sprawdzać, niezależnie od materiałów konstrukcyjnych basenu.

- Należy regularnie sprawdzać śruby i wkręty. Aby uniknąć obrażeń należy usuwać odpryski i wszelkie ostre krawędzie.

- **UWAGA:** Po wypuszczeniu wody, nie pozostawiaj basenu na zewnątrz. Pusty basen może zostać odeskstalony i/lub przemieszczony przez wiatr.

- W przypadku montażu pompy filtrującej, dla uzyskania wskazówek należy zapoznać się z jej instrukcją obsługi.

OSTRZEŻENIE! Pompy nie wolno używać, kiedy w basenie przebywają ludzie.

- W przypadku stosowania drabinki, dla uzyskania wskazówek należy zapoznać się z jej instrukcją obsługi.

OSTRZEŻENIE! Używanie basenu jest równoznaczne z akceptacją i przestrzeganiem zasad bezpieczeństwa zamieszczonych w instrukcji obsługi i konserwacji. Aby uniknąć utonięcia lub innych poważnych obrażeń, należy zwracać szczególną uwagę na możliwość niespodzianego wejścia do basenu przez dzieci w wieku poniżej 5 lat. Należy w tym celu zabezpieczyć wejście do basenu, a kąpiące się dzieci muszą być pod stałym nadzorem osoby dorosłej.

Prosimy o dokładne przeczytanie i zachowanie tego dokumentu do późniejszego wglądu.

Montaż zazwyczaj zajmuje około 20 minut i wymaga 2-3 osób, z wyłączeniem prac ziemnych i napełniania.

WYBRAĆ ODPOWIEDNIE UMIEJSCOWIENIE

WAŻNE: Basen należy ustawić na zupełnie płaskiej i równej powierzchni. Nie instaluj basenu, jeśli teren jest pochylony lub stromy.

Prawidłowe warunki do ustawienia basenu:

• Wybrane miejsce musi być w stanie równomiernie utrzymać ciężar basenu przez cały okres jego instalacji. Ponadto teren ten musi być płaski i oczyszczony z wszelkich przedmiotów i gruzu, a także kamieni i patyków.

• Zaleca się ustawienie basenu z dala od wszelkich przedmiotów, dzięki którym dzieci mogłyby wejść do basenu.

UWAGA: Basen umieścić w pobliżu odpowiedniego systemu odwadniającego, aby poradzić sobie

w przypadku jego przelania się lub w razie opróżniania basenu.

UWAGA: Basen umieścić w pobliżu gniazda sieciowego chronionego przez bezpiecznik różnicowo-prądowy.

Nieprawidłowe warunki do ustawienia basenu:

• Ustawienie basenu na nierównym podłożu może spowodować jego runięcie i zalanie, powodując poważne obrażenia ciała i/lub wyrządzać szkody materialne oraz pociągnięcie za sobą utratę gwarancji i praw do naprawy.

• Nie używać piasku do wyrównania podłoża, wykopać dół, jeśli jest to konieczne.

• Bezpośrednio pod liniami elektrycznymi lub drzewami. Upewnij się, czy pod basenem nie są poprowadzone podziemne rury, ani jakiegokolwiek inne przewody lub kable.

• Basenu nie ustawiać na podjazdach, pomostach, podwyższeniach, żwirze lub asfalcie. Podłoże powinno być wystarczająco zwarte, aby wytrzymać ciężar wody w basenie; błoto, piasek, miękka i luźna gleba lub mokradła nie nadają się.

• Trawnik lub inne rośliny pod basenem zginą lub zgniją i mogą nieprzyjemnie pachnieć, dlatego zaleca się usunięcie wszystkich roślin z miejsca, gdzie ma stanąć basen.

• Unikaj obszarów podatnych na agresywne gatunki roślin i chwastów, które mogą rosnąć przez posyczenie basenu.

UWAGA: Sprawdź, jakie są obowiązujące przepisy lokalne dotyczące stawiania ogrodzeń, barier, oświetlenia oraz jakie są przepisy dotyczące bezpieczeństwa i upewnij się, czy nie narusza się żadnego z nich.

UWAGA: Jeśli zakupiona została pompa filtrująca, element ten ma swoje osobne instrukcje użytkowania.

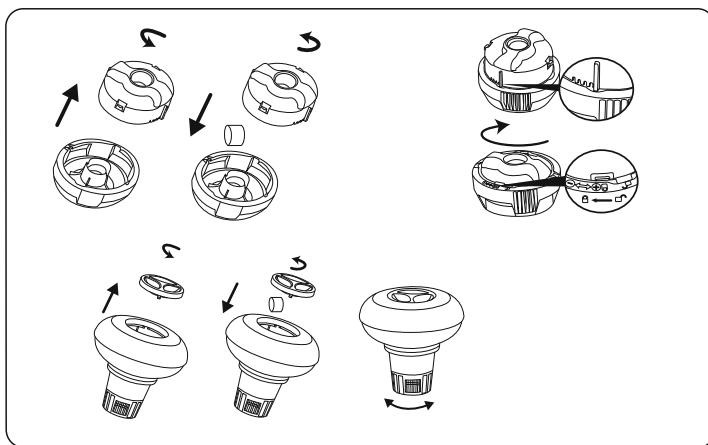
UWAGA: Drabinka musi pasować do wymiarów basenu i może być używana tylko do wchodzenia i wychodzenia z basenu. Nie wolno przekraczać maksymalnego obciążenia drabinki. Regularnie sprawdzać, czy drabinka jest prawidłowo zamontowana.

Konserwacja basenu

Jeśli nie zastosujesz się do poniższych wskazówek dotyczących utrzymania, Twoje zdrowie może być zagrożone, zwłaszcza zdrowie Twoich dzieci.

Używanie tabletek chemicznych (brak w zestawie):

UWAGA: Podczas przeprowadzania konserwacji chemicznej za pomocą tabletek należy używać Chemconnect lub pływaka do chemii. Zakupiony przedmiot może nie zawierać żadnego z tych dozowników, w takim przypadku możesz go kupić, odwiedzając naszą stronę internetową www.bestwaycorp.com lub w najbliższym punkcie sprzedaży basenów.



WAŻNE: Nie używaj tabletek granulowanych ani nie wrzucaj tabletek bezpośrednio do wody. Chemikalia mogą osadzać się na dnie, uszkadzać materiał i odbarwiać PVC.

Używanie cieczy chemicznej (brak w zestawie):

WAŻNE: Dodaj płyn chemiczny w małych dawkach i na środek basenu, aby uniknąć bezpośredniego kontaktu chemikaliów z powierzchnią PCV. Bezpośredni kontakt może uszkodzić materiał i odbarwić powierzchnię.

UWAGA: Wyjmij dozownik chemikaliów z basenu, gdy basen jest używany.

WAŻNE: Po przeprowadzeniu konserwacji chemicznej i przed użyciem basenu użyj zestawu testowego (brak w zestawie), aby przetestować chemię wody. Zalecamy utrzymanie wody zgodnie z poniższą tabelą.

Parametry	Wartości
Klarowność wody	wyraźny widok dna basenu
Kolor wody	powinien być zaobserwowany brak koloru
Zmętnienie w FNU / NTU	max. 1,5 (najlepiej mniej niż 0,5)
Stężenie azotanu powyżej stężenia wody wypełniającej w mg / l	max. 20
Całkowity węgiel organiczny (TOC) w mg / l	max. 4,0
Potencjał redoks w stosunku do Ag / AgCl 3,5 m KCl w mVl	min. 650
Wartość pH	6,8 do 7,6
Wolny aktywny chlor (bez kwasu cyjanurowego) w mg / l	0,3 do 1,5
Wolny chlor stosowany w połączeniu z kwasem cyjanurowym w mg / l	1,0 do 3,0
Kwas cyjanurowy w mg / l	max. 100
Połączony chlor w mg / l	max. 0,5 (najlepiej blisko 0,0 mg / l)

UWAGA: Uszkodzenia wynikające z braku równowagi chemicznej nie są objęte gwarancją. Chemikalia basenowe są potencjalnie toksyczne i należy się z nimi obchodzić ostrożnie. Istnieją poważne zagrożenia dla zdrowia spowodowane oparami chemikaliów oraz niewłaściwym etykietowaniem i przechowywaniem pojemników z chemikaliami. Aby uzyskać więcej informacji na temat konserwacji chemicznej, skontaktuj się z lokalnym sprzedawcą detalicznym. Zwróć szczególną uwagę na instrukcje producenta chemikaliów. Uszkodzenia basenu wynikające z niewłaściwego użycia chemikaliów i niewłaściwego zarządzania wodą w basenie nie są objęte

gwarancją.

WAŻNE: Nadmierne użycie chemikaliów może odbarwić nadruk i wszystkie punkty materiału basenu. Może również uszkodzić strukturę niecki basenowej.

Aby utrzymać basen w czystości:

1. Skontaktuj się z lokalnym sklepem z zaopatrzeniem dla basenów, aby uzyskać porady i zakup chemikaliów oraz zestawów do pomiaru pH. Jednym z najważniejszych czynników zwiększających żywotność niecki jest ciągłe utrzymywanie czystej i zdrowej wody. Należy ściśle przestrzegać instrukcji profesjonalnych techników dotyczących uzdatniania wody za pomocą chemikaliów.
2. Postaw miskę z wodą obok basenu, aby oczyścić stopy użytkowników przed wejściem do basenu.
3. Zakryj basen, gdy nie jest używany.
4. Regularnie przeglądaj basen, aby uniknąć osadzania się brudu.
5. Regularnie sprawdzaj i myj wkład filtra.
6. Delikatnie wyczyść brud spod górnego pierścienia czystą szmatką.
7. Należy zachować ostrożność w przypadku wody deszczowej, sprawdzić, czy poziom wody nie jest wyższy niż oczekiwany. Jeśli tak, MUSISZ opróżnić nadmiar wody.
8. Jeśli pada deszcz, sprawdź, czy poziom wody nie jest wyższy niż określony poziom. Jeśli woda przekroczy określone poziomy, opróżnij basen do określonego poziomu.

Właściwa konserwacja może zmaksymalizować żywotność basenu.

W sezonie korzystania z basenu system filtracji musi być koniecznie uruchamiany codziennie, wystarczająco długo, aby zapewnić co najmniej całkowitą wymianę objętości wody.

UWAGA: Pompa służy do cyrkulacji wody i filtrowania małych cząstek. Aby utrzymać czystość i higienę wody w basenie, musisz również dodać chemikalia.

Naprawa

W przypadku wycieku załataj basen za pomocą dostarczonej podwodnej łąki naprawczej. Instrukcje można znaleźć w często zadawanych pytaniach w sekcji pomocy na naszej stronie internetowej www.bestwaycorp.com.

Demontaż

1. Odkręć kapturek zaworu odpływu po zewnętrznej stronie basenu kręcąc w kierunku przeciwnym do ruchów wskazówek zegara i zdejmij go.
 2. Połącz łącznik z węzłem, a drugi koniec węzła połóż tam, gdzie zamierzasz wodę spuścić z basenu. (Sprawdź przepisy lokalne dotyczące odprowadzania ścieków).
 3. Nakręć pierścień kontrolny łącznika węzła na zawór odpływu w kierunku zgodnym z ruchem wskazówek zegara. Zawór odpływu otworzy się, a woda zacznie sypać automatycznie.
- OSTRZEŻENIE:** Splyw wody można regulować za pomocą pierścienia kontrolnego.
4. Po zakończeniu spuszczenia wody odkręć pierścień kontrolny, żeby zakręcić zawór.
 5. Odłącz węzła.
 6. Nakręć z powrotem kapturek na zawór odpływu.
 7. Wyszusz basen na wolnym powietrzu.

OSTRZEŻENIE: Nie zostawiaj basenu po spuszczeniu wody na dworze.

Przechowywanie

1. Odłącz wszystkie akcesoria i części od basenu i trzymaj je w czystym i suchym miejscu.
2. Kiedy basen jest już całkowicie suchy, posyp go talkiem, żeby nie skleił się, następnie złóż go starannie. Jeśli basen nie jest całkiem suchy, może w nim pojawić się pleśń, a ściany basenu mogą zbutwieć.
3. Przechowuj basen i akcesoria w suchym miejscu, gdzie panuje umiarkowana temperatura od 41 stopni Fahrenheita 5°C / 41°F do 38°C / 100°F.
4. W porze deszczowej basen i jego akcesoria powinny być przechowywane w warunkach opisanych powyżej.
5. Niewłaściwe spuszczenie wody z basenu może spowodować poważne uszkodzenie ciała i/lub wyrządzić szkody materialne.

NAPERNYŐS JÁTSZÓMEDENCE HASZNÁLATI UTASÍTÁS

⚠ FIGYELMEZTETÉS

Az úszómedence telepítése és használata előtt gondosan olvassa el ezt a kézikönyvet, és értesse meg, valamint tartsa be a benne foglaltakat. Ezek a figyelmeztetések, utasítások és biztonsági irányelvek segítenek elhárítani a vízi rekreációval kapcsolatos néhány általános kockázatot, de nem tudják fedezni az összes kockázatot és veszélyt. A vízi tevékenységek végzése során mindig legyen óvatos, megfontolt, és jó ítéletképességű. Tegye félre ezt a kézikönyvet, hogy a jövőben bármikor belenézhesen.

Az úszni nem tudók biztonsága

- A gyengén úszóknak és úszni nem tudóknak mindig hozzáértő felnőtt általi folyamatos, aktív és éber felügyeletet kell biztosítani (vegye figyelembe, hogy az öt év alatti gyermekeknél a legnagyobb a fulladásveszély).
- A medence minden egyes használata alkalmával jelöljön ki hozzáértő felnőttet a medence felügyeletére.
- A gyengén úszóknak, illetve úszni nem tudóknak a medence használatakor egyéni védőfelszerelést kell viselniük.
- Ha az úszómedence nincs használatban, távolítsa el belőle és a környezetéből minden játékot, hogy azok a gyermekeket ne hagyják a medencébe csalogassák.

Biztonsági berendezések

- A gyermekek megfulladásának elkerülése érdekében ajánlatos a medencéhez való hozzáférést védőeszközzel korlátozni. Annak érdekében, hogy a gyermekek ne ugrálhassanak a bemeneti és kimeneti szelepekről, tanácsos kerítéssel (és adott esetben az ajtók és ablakok bezárásával) megakadályozni az illetéktelenek medencéhez való hozzáférését.
- A kerítések, medencefedelek, medenceriasztók, illetve hasonló biztonsági berendezések hasznos segítségek, de nem helyettesítik a hozzáértő felnőtt általi folyamatos felügyeletet.

Biztonsági berendezések

- A medence mellett tanácsos mentőfelszerelést (pl. mentőöv) tartani.
- Tartson működőképes telefont és a segélyhívószám-listát a medence mellett.

A medence biztonságos használata

- Biztasson minden felhasználót – különösen a gyermekeket – hogy tanuljanak meg úszni.
- Tanulja meg az alapszintű elsősegélynyújtást (újraélesztés – CPR), és rendszeresen frissítse ezen ismeretét. Ez vészhelyzetben életet menthet.
- Tájékoztassa az összes medencehasználót, hogy mit kell csinálni vészhelyzet esetén.
- Soha ne ugorjon sekély vízbe. Ez súlyos sérüléshez vagy halálhoz vezethet.
- Ne használja az úszómedencét, ha alkoholt vagy gyógyszert hatása alatt áll, amely hatás hátrányosan befolyásolhatja a medence biztonságos használatát.
- Medencefedél használatát a medencébe való beszállás előtt teljesen távolítsa el azt a vízfelületről.
- A medencevíz kezelésével és jó higiéniai állapotának fenntartásával védje a medence használót a vízen keresztül elkapható betegségektől. Tekintse meg a használati útmutatóban a vízkezelési irányelveket.
- A vegyszerek (pl. vízkezelő szerek, tisztító vagy fertőtlenítő termékek) a gyermekek számára hozzáférhetetlen helyen tartandók!
- Használja az alább leírt jelzést. A jelzést feltűnő helyen kell elhelyezni, a medence 2 méteres környezetében.



Ne hagyja a gyermekeket a vizes környezetben felügyelet nélkül. Merülni tilos!

- Az eltávolítható létrákat vízszintes felületre kell helyezni.
- Az úszómedencéhez használt anyagoktól függetlenül, a sérülések elkerülése érdekében a hozzáférhető felületeket rendszeresen ellenőrizni kell.
- A sérülések elkerülése érdekében rendszeresen ellenőrizze a csavarok állapotát, távolítsa el a sorjakát, illetve szüntesse meg az éles peremeket.
- **FIGYELEM:** Ne hagyja a leürített medencét a szabadban. A medence üres állapotban könnyen deformálódhat, illetve a medencét könnyen árnyékosabbá tudja tenni.
- Ha van szűrőszivattyúja, részletekért tekintse meg a szivattyú kézikönyvét.
- **FIGYELMEZTETÉS!** A szivattyú nem használható, ha ember van a medencében!
- Ha van létrája, részletekért tekintse meg a létra kézikönyvét.
- **FIGYELMEZTETÉS!** Az úszómedence használata során tartsa be a használati és karbantartási útmutatójában foglalt biztonsági utasításokat. A fulladás, illetve egyéb súlyos sérülések megelőzése érdekében különösen figyeljen oda az úszómedence 5 éves aluli gyermekek általi nem várt hozzáféréseinek lehetőségére, és gondoskodjon arról, hogy a gyermekek ne férhessenek a medencéhez, valamint a fűdőzés ideje alatt folyamatosan felügyelje őket, vagy gondoskodjon felnőtt általi felügyeletükről.

Alaposan olvassa el, és tegye félre, hogy a jövőben bármikor belenézhesen.

A beszerelés általában 20 percet vesz igénybe, ha 2-3 ember végzi a földmunkákat és a feltöltést.

A MEGFELELŐ HELYSZÍN KIVÁLASZTÁSA

FONTOS: A medencét teljesen sima és lapos felületre állítsa. Ne állítsa fel a medencét olyan helyen, ahol a talaj nem egyenletes vagy lejtős.

A medence helyes felállításának körülményei:

- A kiválasztott helynek a használat teljes időtartama alatt képesnek kell lennie egyenletesen megtartania a medence tömeget, továbbá a helyszínek vízszintesnek és minden tárgytól és törmelétől (pl. kövek és ágak) kell lennie.
- A medencét tanácsos minden olyan tárgytól távol elhelyezni, amelyeket a gyermekek a medencébe ugrásra felhasználhatnak.
- MEGJEGYZÉS:** Helyezze a medencét a túlfolyás vagy a medenceleürítés esetén elfolyó vizet befogadni képes, megfelelő csatorna-rendszer mellé.
- MEGJEGYZÉS:** Helyezze a medencét maradékáram-működtetésű megszakítóval (RCD) védett váltóáramú aljzat közelébe.

A medencefelállítás nem megfelelő körülményei:

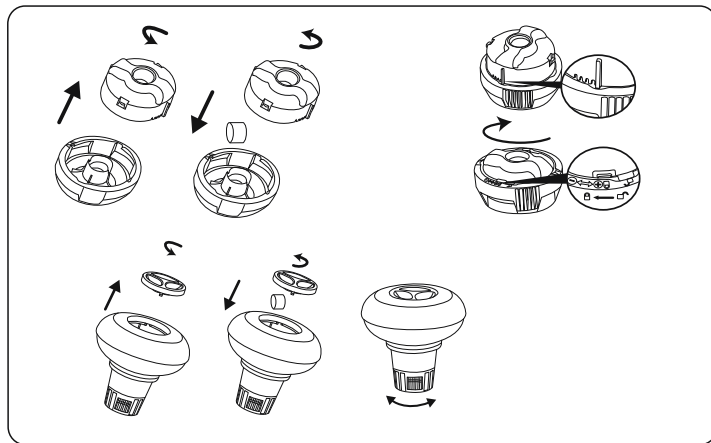
- Egyetlen talajon a medence összedőhet, ami súlyos személyi sérülést és/vagy tárgyi kárt okozhat, egyúttal a garancia, valamint a szervizjogosultság elvesztésével jár.
- A szintezéshez ne használjon homokot; szükség esetén a talajt kimarással kell egyengetni.
- Közvetlenül felső erősáramú vezetékek vagy fák alá. Győződjön meg arról, hogy a helyszínen nincsenek föld alatti közüzemi hálózati csövek, vezetékek vagy bármilyen kábelek.
- Ne állítsa fel a medencét kocsi-behajlók, fedélzeteken, emelvényeken, kavics- vagy aszfaltfelületeken. A kiválasztott helyszíneknek elég szilárdnak kell lennie ahhoz, hogy ellenálljon a víz nyomásának – a saras, homokos, puha/laza talaj vagy kátrány nem megfelelő.
- A medence alatti fű vagy egyéb növények szag és nyálka képződése mellett el fognak pusztulni, ezért tanácsos a fűvet eltávolítani a medence kiválasztott helyszíne alól.
- Kerülje az agresszív növények és gyomok számára kedvező helyeket, mivel ezek átjuthatnak a bevonaton.
- MEGJEGYZÉS:** Tudakolja meg a helyi városi tanácsnál a kerítések, korlátokra, világításra és biztonságra vonatkozó követelményeket, és tartsa be minden jogszabályi előírást.
- MEGJEGYZÉS:** Ha van szűrőszivattyúja, részletekért tekintse meg a szivattyú kézikönyvét.
- MEGJEGYZÉS:** A létrának a medence méretéhez valónak kell lennie, és azt csak a medencébe való beszállásra, illetve az abból való kiszállásra szabad használni. Tilos a létrát a maximális teherbírásánál jobban terhelni. Rendszeresen ellenőrizze, hogy a létra megfelelően van-e összeszerelve.

Medence karbantartása

Az alábbi karbantartási utasítások be nem tartása veszélyezteti az Ön, és különösen az Ön gyermekeinek egészségét.

Vegyszertabletták használata (nincs mellékelve):

MEGJEGYZÉS: Kötelezően használja a Chemconnect egységet vagy úszó vegyszeradagoló tablettákkal végzett vegyi karbantartáskor. Előfordulhat, hogy a termék nem tartalmazza ezen adagolókat egyikét sem, ebben az esetben az egységeket megvásárolhatja a www.bestwaycorp.com webhelyünkön, illetve megkeresheti a legközelebbi medenceforgalmazót.



FONTOS: Ne használjon granulátumtablettákat, illetve ne dobja a tablettát közvetlenül a vízbe. A vegyszerek lerakódhatnak a medence alján, így károsítva az anyagot, illetve elszínezve a PVC-t.

Vegyszerfolyadék használata (nincs mellékelve):

FONTOS: A vegyszerfolyadékot adja hozzá kicsi dózisokban és a medence közepénél, így elkerülve a közvetlen érintkezést a vegyszer és a PVC felület között. A közvetlen érintkezés károsíthatja az anyagot, illetve elszínezheti a felületet.

MEGJEGYZÉS: Ha a medence nincs használatban, vegye ki a vegyszeradagolót a medencéből. **FONTOS:** A vegyi karbantartás elvégzését követően és a medence használata előtt tesztkészlettel (nincs mellékelve) ellenőrizze a víz vegyi tulajdonságait. Javasoljuk, hogy a víz karbantartását az alábbi táblázatban foglaltak szerint végezze.

Paraméterek	Értékek
Víz tisztaság	tisztán látni a medence alját
A víz színe	kifejezett szín nem tapasztalható
Zavarosság [FNU/NTU]	max. 1,5 (lehetőleg kevesebb mint 0,5)
A töltővíz értékét meghaladó nitrát-koncentráció [mg/l]	max. 20
Összes szerves szén (TOC) [mg/l]	max. 4,0
Redoxpotenciál Ag/AgCl és 3,5 M KCl vizes oldatában [mV]	min. 650
pH-érték	6,8 ... 7,6
Szabad aktív klór (cianursav nélkül) [mg/l]	0,3 ... 1,5
Szabad klór cianursavval kombinálva [mg/l]	1,0 ... 3,0
Cianursav [mg/l]	max. 100
Kombinált klór [mg/l]	max. 0,5 (lehetőleg kevesebb mint 0,0 mg/l)

MEGJEGYZÉS: A kémiai egyensúly hiánya által okozott károkról nem vonatkozik a garancia. A medencében használt vegyszerek potenciálisan mérgezők, ezért óvatosan kezelendők. A vegyszergőzők és a vegyszertároló edények helytelen címkézése súlyos egészségügyi kockázatot jelentenek. A vegyi karbantartással kapcsolatos további információkért forduljon a legközelebbi medenceforgalmazóhoz. Szigorúan tartsa be a vegyszer gyártójának utasításait. A medencének a vegyszerek nem rendeltetésszerű használatából és a medencevíz rossz kezeléséből eredő károsodására a jótállás nem érvényesíthető. **FONTOS:** A vegyszerek túlzott használata elszínezheti a grafikat, illetve a medenceanyag felületét. Továbbá károsíthatja a medencebevonat szerkezetét.

A medence tisztán tartása:

1. A vegyszerekre és pH készletekre vonatkozó tanácsadás és beszerzési csatornák tekintetében tájékozódjon a helyi, uszodakellékeket forgalmazó boltnál A bevonat élettartama leghatékonyabban a víz folyamatosan tisztán és egészséges szinten tartásával hosszabbítható meg. A vegyszerekkel végzett vízkezelés ügyében szigorúan kövesse a szakemberek utasításait.
2. Helyezzen egy vödör vizet a medence mellé, amelyben a felhasználók leöblíthetik a lábukat, mielőtt a medencébe lépnének.
3. Fedje le a medencét, amikor nem használja.
4. A szennyeződések lerakódását megelőzendő szabályos időközönként tisztítsa meg a vízfelületet.
5. Szabályos időközönként ellenőrizze és mossa át a szűrőkazettát.
6. Óvatosan távolítsa el bármilyen szennyeződést a felső gyűrű alól egy tiszta törlőkendő segítségével.
7. Esőzés esetén figyeljen arra, hogy a vízszint ne legyen magasabb a javasoltnál. Ellenkező esetben TÁVOLÍTSA EL A VÍZFELESLEGET.
8. Eső esetén ellenőrizze, hogy a vízszint nincs-e magasabban a megadott szintnél. Ha a víz a megadott szint fölé megy, eressze le a medencét a megadott szintig.

A megfelelő karbantartás maximalizálhatja a medence élettartamát.

Az úszómedence használati évszakában a szűrőrendszert működtesse kötelezően napi rendszerességgel, illetve elég hosszan ahhoz, hogy a rendszer átforgassa legalább egyszer a teljes vízmennyiséget.
MEGJEGYZÉS: A szivattyú a víz keringtetésére és a kis részecskék kiszűrésére szolgál. A víz tiszta és higiénikus állapotának megtartása érdekében a vízhez vegyszereket is kell adnia.

Javítás

Szivárgás esetén a mellékelt víz alatti öntapadós javítópasz segítségével ragassza meg a medencét. Az utasítások megtalálhatók a www.bestwaycorp.com webhelyünk ügyféltámogatás részének GYIK oldalán.

Szétszerelés

1. Csavarozza ki az óramutató járásával ellenkező irányban a vízleeresztő szelepnek a medencén kívül eső kupakját és vegye le.
2. A csatlakozót csatlakoztassa a tömlőhöz és a másik végét helyezze be arra a helyre, ahová a medence vizét leeresztetni kívánja. (Ellenőrizze a helyi szennyvízelvezetési előírásokat.)
3. Csavarozza a tömlő-csatlakozó biztosító gyűrűjét a vízleeresztő szelepre az óramutató járásával megegyezően. A vízleeresztő szelep kinyílik, a víz pedig automatikusan elkezd távozni.
VIGYÁZAT: A víz lefolyásának az erősségét a biztosító gyűrűvel lehet szabályozni.
4. Amikor a vizet leeresztette, csavarja le a biztosító gyűrűt, hogy a szelepet elzárja.
5. Vegye le a tömlőt.
6. Csavarozza fel vissza a vízleeresztő szelepre a kupakját.
7. A medencét szárítsa meg a levegőn.

VIGYÁZAT: A leeresztett medencét ne hagyja kint.

Tárolás

1. Távolítsa el a medence összes tartozékát és alkatrészét, majd tárolja őket száraz, tiszta helyen.
2. Amikor a medence megszáradt, szórja be talcum hintőporral, hogy a medence részei ne ragadjanak egymáshoz, majd hajtsa össze gondosan a medencét. Ha a medence nem száradt meg teljesen, bepenészedhet, ami a medence borítófalának a sérülését eredményezheti.
3. A medencét és a tartozékait tartsa száraz helyen, ahol a hőmérséklet 5°C / 41°F és 38°C / 100°F között van.
4. Az esős időszak alatt a medencét és tartozékait a fenti utasítások szerint kell tárolni.
5. A víz nem megfelelő leeresztése a medencéből komoly testi sérülést és/vagy anyagi kárt okozhat.

PLASKA-I-SKUGGAN LEKPOOL

ÄGARMANUAL

⚠ VARNING

Läs noggrant, först, och följ all information i användarmanualen innan du installerar och använder swimmingpoolen. Dessa varningar, instruktioner och säkerhetsanvisningar handlar om några vanliga risker i samband med vattenlekar, men de täcker inte alla risker och faror för alla tillfällen. Var alltid försiktig, använd vanligt förnuft och gott omdöme när du njuter av aktiviteter i vattnet. Bevara den här informationen för framtida bruk.

Säkerhet för icke simkunniga

- För de personer som är dåliga på att simma eller inte är simkunniga (kom ihåg att barn under fem år lider största risken för drunkning) krävs det en ständig och aktiv övervakning av en vuxen person.

- Utse en vuxen person att övervaka poolen varje gång den används.
- Dåliga simmare eller ej simkunniga personer bör använd personlig räddningsutrustning när de använder poolen.
- När poolen inte används, eller om den är oövervakad, ta då bort alla leksaker från swimmingpoolen och runt omkring den för att undvika att barn dras till poolen.

Säkerhetsanordningar

- För att undvika drunkningsolyckor med barn rekommenderar vi att säkra tillträdet till poolen med en skyddsanordning. För att undvika att barn klättrar från inloppsventilen och utloppsventilen rekommenderar vi att ett hinder installeras (och att säkra alla dörrar och fönster där det är möjligt) för att undvika att icke behöriga personer får tillträde till swimmingpoolen.
- Hinder, poolöverdrag, poolalarm, eller liknande säkerhetsanordningar är bra hjälpmedel, men de ersätter inte en ständig och kompetent övervakning av en vuxen person.

Säkerhetsutrustning

- Vi rekommenderar att ha räddningsutrustning (ex. livboj) bredvid poolen.
- Förvara en fungerande telefon och en lista på nödnummer bredvid poolen.

Säker användning av poolen

- Uppmuntra alla användarna, framförallt barnen, att lära sig att simma.
- Lär dig grundläggande livsuppållande åtgärder (hjärt- och lungräddning - CPR) och uppdatera denna kunskap regelmässigt. Detta kan utgöra skillnaden vid en livräddning i en nödsituation.
- Ge alla användarna, inklusive barnen, instruktioner om vad man ska göra i händelse av en nödsituation.
- Dyk aldrig i grunt vatten. Det kan leda till allvarliga skador eller till döden.
- Gå inte i swimmingpoolen när du har druckit alkohol eller tagit medicin som kan försämra din förmåga att använda poolen på ett säkert sätt.
- Om poolöverdrag finns på poolen, ta då bort det fullständigt från vattenytan innan du går i poolen.
- Skydda poolanvändarna från vattenrelaterade sjukdomar genom att behandla poolvattnet och genom att praktisera en god hygien. Läs i användarmanualen om riktlinjerna för vattenbehandling.
- Förvara kemikalier (t.ex. vattenbehandling, rengörings- och desinfekteringsprodukter) oåtkomliga för barn.
- Använd nedanstående skyltar. Skyltarna ska finnas på en framträdande plats inte längre än 2 meter från poolen.



Håll barnen under uppsikt i vattenområdet. Ingen dykning.

- Flyttbara stegar ska placeras på en horisontell yta.
- Oavsett det material som använts för tillverkning av poolen, måste alla tillgängliga ytor regelbundet kontrolleras för att undvika skador.
- Kontrollera regelbundet bultar och skruvar, ta bort fisor eller vassa kanter för att undvika skador.
- **VAR UPPMÄRKSAM PÅ:** Lämna inte den tömda poolen utomhus. Den tomma poolen riskerar att bli deformerad och/eller förflyttad pga. vinden.
- Om du har en filter pump, läs då i pumpmanualen för vidare instruktioner.
- **WARNING!** Pumpen får inte användas då det finns människor inuti poolen!
- Om du har en stege, läs då stegens manual för vidare instruktioner.
- **WARNING!** Användningen av en swimmingpool innebär samtycke till säkerhetsinstruktionerna som beskrivs i användar- och underhållsmanualen. För att undvika drunkning och andra allvarliga händelser, måste man vara särskilt försiktig när det gäller risken att barn under 5 år får oförutsett tillträde till swimmingpoolen. Säkra tillträdet till poolen och håll barnen under konstant uppsikt av en vuxen under badtillfällena.

Läs noggrant och bevara för framtida behov.

Installationen tar vanligtvis ungefär 20 minuter med 2-3 personer, men omfattar då inte markarbetet och fyllning.

VÄLJ RÄTT PLATS

VIKTIGT: Poolen måste placeras på en helt platt och jämn yta. Installera inte poolen om ytan lutar eller är sned.

Korrekt omgivning för att sätta upp poolen:

- Den valda platsen måste enhetligt kunna klara vikten under poolens hela installationstid, samt vara platt och alla objekt eller skräp, såsom stenar eller kvistar, måste ha rensats bort.
- Vi rekommenderar att placera poolen där det saknas objekt som barn kan klättra upp på för att ta sig i poolen.

OBSERVERA: Placera poolen när ett lämpligt dräneringssystem för att kunna hantera översvämningar och tömning av poolen.

OBSERVERA: Placera poolen nära ett vägguttag skyddat av en RCD (Residual Current Device = Jordfelsbrytare).

Inkorrekt omgivning för att sätta upp poolen:

- En ojämn markyta kan orsaka att poolen kollapsar och leda till allvarliga personskador och/eller

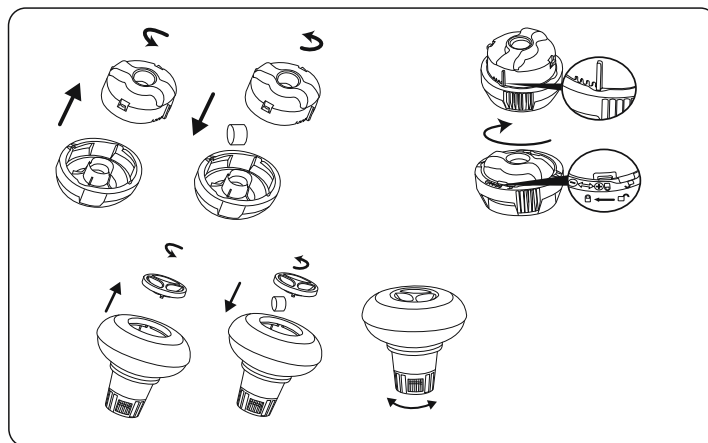
- skador på personliga tillhörigheter samt upphåva garantin och förhindra krav på service.
- Sand bör inte användas för att skapa en jämn grund, om nödvändigt bör grunden grävas ut.
- Direkt under luftledningar eller träd. Se till att platsen inte innehåller underjordiska allmännyttiga ledningar, eller ledningar eller kablar av annan sort.
- Installera inte poolen på infarter, däck, plattformar, grus- eller asfaltytor. Den valda platsen bör vara fast nog att kunna motstå trycket från vattnet. Lera, sand, mjuk eller lös jord eller tjära passar inte.
- Gräs eller annan vegetation under poolen kan dö och orsaka utveckling av lukt eller slam, vi rekommenderar därför att man avlägsnar allt gräs från platsen där poolen skall installeras.
- Undvik områden som är benägna för aggressiva växter och ogräsarter som kan växa genom poolduken.
- **OBSERVERA:** Hör med lokala myndigheter gällande stadgar för uppsättning av stängsel, barriärer, belysning samt säkerhetsregleringar och se till att du följer lagen.
- **OBSERVERA:** Om du har en filterpump, se pumpens manual för instruktioner.
- **OBSERVERA:** Stegen måste passa poolstorleken och bör endast användas för att ta sig in och ut ur poolen. Det är förbjudet att överskrida stegen tillåtna belastning. Kontrollera regelbundet att stegen är ordentligt monterade.

Poolskötsel

Om du inte följer de riktlinjer för underhåll som följer nedan, kan din hälsa vara i riskzonen och särskilt dina barns.

Att använda kemiska tabletter (ej inkluderade)

OBS! När du utför kemiskt underhåll med tabletter måste Chemconnect eller en kemisk flottör användas. Din köpta artikel kanske inte inkluderar Chemconnect eller kemisk flottör. I detta fall kan du köpa en dispenser genom att besöka vår webbplats www.bestwaycorp.com eller hos närmaste poolåterförsäljare.



VIKTIGT: Använd inte tabletter i granulerad form och kasta inte tabletten direkt i vattnet. Kemikalierna kan fastna på botten, skada materialet och missfärga PVC-materialet.

Att använda kemisk vätska (ej inkluderad)

VIKTIGT: Tillsätt kemisk vätska i små doser i mitten av poolen. På så sätt förhindras direkt kontakt mellan kemikalierna och PVC-ytan. Direkt kontakt kan skada materialet och missfärga ytan.

OBS! Ta bort den kemiska dispensern från poolen när poolen används.

VIKTIGT: Efter att ha utfört kemiskt underhåll och innan du använder poolen, använd ett testkit (ingår ej) för att testa vattenkemin. Vi rekommenderar att du håller ditt vatten enligt följande tabell.

Parametrar	Värden
Vattnets klarhet	Tydlig sikt över poolbotten
Vattnets färg	Vattnet ska vara genomskinligt
Turbiditet FNU/NTU	max. 1,5 (helst mindre än 0,5)
Koncentrationen av nitrat över fyllt vatten i mg/l	max. 20
Totalt organiskt kol (TOC) i mg/l	max. 4,0
Redoxpotential mot Ag/AgCl 3,5 m KCl i mV	min. 650
pH-värde	6,8 till 7,6
Fritt klor (utan cyanursyra) i mg/l	0,3 till 1,5
Fritt klor som används i kombination med cyanursyra i mg/l	1,0 till 3,0
Cyanursyra i mg/l	max. 100
Kombinerad klorin i mg/l	max. 0,5 (helst nära 0,0 mg/l)

OBS! Skador till följd av kemisk obalans täcks inte av garantin. Poolkemikalier är potentiellt giftiga och bör hanteras med försiktighet. Det finns allvarliga hälsorisker med kemiska ångor och felaktig märkning och lagring av kemiska behållare. Kontakta din lokala poolåterförsäljare för mer information om kemiskt underhåll. Ägna stor uppmärksamhet åt de instruktioner som tillverkaren av kemikalierna har givit. Poolskada till följd av felaktig användning av kemikalier och misskötsel av badvattnet täcks inte av garantin.

VIKTIGT: Överanvändning av kemikalier kan missfärga poolens interiör och själva poolmaterialet. Det kan också skada pooldukens struktur.

För att hålla ditt poolvatten rent

1. Kontakta din lokala poolåterförsäljare för rådgivning och köp av kemikalier och pH-satsar. En av de viktigaste faktorerna för att öka livslängden av poolduken är att hålla vattnet kontinuerligt rent och friskt. Följ noggrant anvisningarna från professionella tekniker för vattenbehandling genom användning av kemikalier.
2. Ställ en hink med vatten bredvid poolen för att rengöra fötterna innan du går in i poolen.

3. Täck över poolen när den inte används.
4. Använd regelbundet skimmer för att undvika att smuts sätter sig fast.
5. Kontrollera och rengör regelbundet filterpatronen.
6. Använd en ren trasa och rengör försiktigt under toppringen för att ta bort allt skum.
7. Var noga med regnvatten, kontrollera alltid att vattennivån inte är högre än beräknat. Om så är fallet måste du tömma överflödigt vatten.
8. Om det regnar, kontrollera att vattennivån inte är högre än den angivna nivån. Om vattennivån överskrider de angivna nivåerna, töm poolen till den angivna nivån.

Korrekt underhåll kan göra att poolen håller längre.

Under badsäsongen måste filtersystemet vara igång dagligen, tillräckligt lång tid för att garantera att allt vatten byts ut.

OBS! Pumpen används för att cirkulera vattnet och filtrera bort små partiklar. För att hålla ditt poolvatten rent och hygieniskt måste du tillsätta kemikalier.

Reparation

I händelse av läcka kan du lappa din pool med den medföljande lagningslappen för användning under vatten. Du kan hitta instruktionerna i vanliga frågor på hjälpadelningen på vår webbplats, www.bestwaycorp.com.

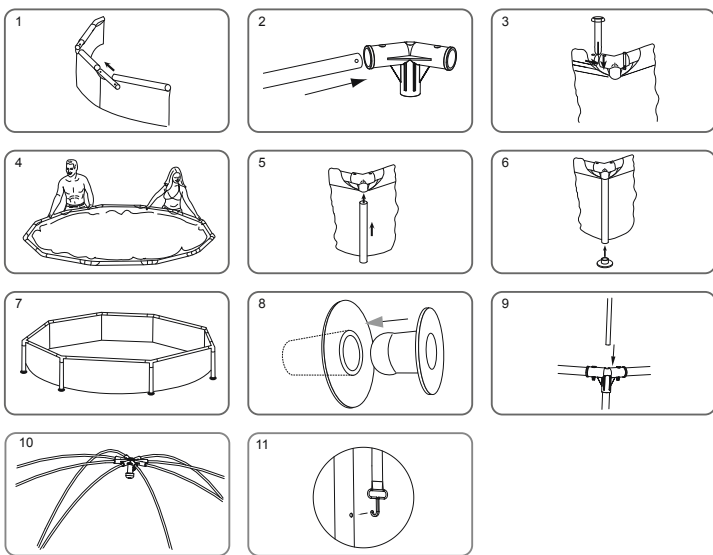
Demontering

1. Skruva loss tömningsventilens lock på utsidan av polen i medsols riktning och avlägsna den.
2. Anslut adaptern till slangens och placera den andra änden av slangens i området där du ska tömma poolen. (Kontrollera de lokala bestämmelserna för tömning).
3. Skruva fast kontrollringen på slangens adapter på tömningsventilen i medsols riktning. Tömningsventilen öppnas och vattnet börjar tömmas ut automatiskt.
VARNING: Vattenflödet kan kontrolleras med kontrollringen.
4. Efter tömningen, ska du skruva loss kontrollringen för att stänga ventilen.
5. Koppla bort slangens.
6. Skruva på locket på tömningsventilen igen.
7. Låt poolen lufttorka.

VARNING: Lämna inte den tömda poolen utomhus.

Förvaring

1. Avlägsna alla tillbehör och reservdelar till poolen och förvara dem på en ren och torr plats.
2. Då poolen är helt torr, ska du stänka över talk för att förhindra att den klistras ihop. Vik sedan ihop den noga. Om poolen inte är helt torr, kan den mögla och det ska skada fodret.
3. Förvara fodret och tillbehören på en torr plats med en måttlig temperatur mellan 5°C / 41°F och 38°C / 100°F.
4. Under regnsäsongen ska poolen och dess tillbehör förvaras enligt instruktionerna ovan.
5. Felaktig tömning av poolen kan orsaka allvarlig personskada och/eller skada på personlig egendom.



EN Assembly the Splash-in-Shade play pool no need any tools.

Bestway Inflatables will not be responsible for damage caused to the pool due to mishandling or failure to follow these instructions.

To lengthen the life of your pool, it is important to sprinkle the top rail with the Talcum Powder before assembly. Talcum Powder is not included and easily available in the market.

1. Lay out all parts and check that you have the correct quantities as listed in the components list. For assistance or FAQs, please visit the support section on our website, www.bestwaycorp.com.

2. Spread out the pool and make sure the pool is right side up, let it sit exposed to direct sunlight for 1 hour or more so that the pool is more flexible during set up.

3. Turn the pool so the drain valve is near the area where you plan to drain the water.

ATTENTION: Do not drag the pool on the ground in order to avoid puncturing from sharp objects.

4. Insert the stopper plug into the inlet and outlet on the wall of the pool from the inside of the pool. (See Fig. 8)

5. Insert top rail (A) into the pole pockets at the top of the pool. (See Fig. 1)

6. Connect top rail (A) with T-Connector (C) at each of corner and insert pins (D) into pre-drilled holes of the frame. (See Fig. 2, 3)

7. Repeat steps 5 and 6 until all top rails (A) are connected with all T-Connectors (C) and the top frame is set up.

NOTE: For ease of assembly slightly raise the last 2 rails to an inverted v shape and insert into the last T-Connectors (C). Slowly lower until fully connected taking care not to pinch your fingers. (See Fig. 4)

8. Connect vertical pool leg (B) into the bottom of the T-Connector (C). (See Fig. 5)

NOTE: Make sure the hole on the vertical pool leg (B) is facing outward.

9. Attach all footings (E) to the bottom of the vertical pool legs (B). (See Fig. 6)

10. When the pool is completely assembled pull the frame from different directions to ensure all rails, pool legs and connectors are firmly jointed. (See Fig. 7)

11. Ensure drain valve is firmly closed. Smooth out the bottom.

12. Insert the 8 Tent legs (K) to the 8 T-Connectors (C) (See Fig. 9)

13. One fiberglass pole (L) has 3 sections. Extend the fiberglass pole by pulling out each section and place it into the metal ferrules.

14. Insert one end of the pre-extend fiberglass pole to the Tent leg (K), the other end to the Sprayer (F). Repeat this step for the other fiberglass poles. Make sure the 8 fiberglass poles form a semidome. (See Fig. 10)

15. Spread the tent's outer cloth (O), make sure the center is above on the Sprayer (F), adjust the tent's outer cloth (O) position until the sewing lines are superposed to the fiberglass poles (L). Hook the tent's outer cloth (O) to the hole of the vertical pool leg (B). (See Fig. 11)

16. Tie the outer cloth (O) to the fiberglass pole (L) by using the 3 pairs ropes at the inner of outer cloth (O). The rope can also fix the hose (M).

17. Smooth out all wrinkles on the outer cloth and make it perfect.

PT A montagem da piscina de jogo Splash-in-Shade não requer qualquer ferramenta.

Bestway Inflatables não se responsabilizará por danos causados à piscina devidos à falta de cuidado e ao não cumprimento destas instruções.

Para prolongar a vida da sua piscina, é importante pulverizar o carril superior com pó de talco antes da montagem. O pó de talco não está incluído. Encontra-se facilmente disponível para venda.

1. Projete todas as peças e verifique se as quantidades corretas estão listadas na lista de componentes. Para obter assistência ou perguntas frequentes, visite a seção de suporte em nosso site, www.bestwaycorp.com.

2. Abra a piscina e assegure-se de que a mesma esteja com o lado direito voltado para cima, deixando-a diretamente exposta à luz solar por uma hora ou mais, de modo a facilitar-lhe a montagem.

3. Volte a piscina para que a válvula de drenagem esteja próxima da área onde planeia drenar a água.

ATENÇÃO: Não arrastar a piscina pelo chão, para evitar que objectos pontudos furem-na.

4. Introduzir, do lado de dentro, a rola azul nas válvulas de entrada e saída da piscina. (Veja Fig. 8)

5. Fazer com que a barra superior (A) deslize para o correcto encaixe na parte superior da piscina. (Veja Fig. 1)

6. Conecte a extremidade de cima (A) com o T-Conector (C) em cada ângulo e insira os pinos (D) nos buracos pré-furados da estrutura. (Veja Fig. 2, 3)

7. Repita os passos 5 e 6 até que todos os corrimões superiores (A) estejam ligados aos conectores-T (C) e a estrutura superior esteja montada.

NOTA: Para facilitar a montagem, levantar, levemente, as duas últimas barras até formar

um V ao contrário, e introduzi-las nos últimos conectores em T (C). A seguir, abaixá-las até que estejam completamente introduzidas, prestando atenção para não ferir os dedos (Veja Fig. 4).

8. Unir os suportes verticais (B) com a parte inferior dos conectores em T (C). (Veja Fig. 5)
NOTA: Verifique que o buraco na perna vertical da piscina (B) esteja virada para o externo.

9. Unir todas as bases (E) com a parte inferior dos suportes verticais (B). (Veja Fig. 6)

10. Quando a piscina estiver totalmente montada, puxe a estrutura a partir de diferentes direcções para se certificar que todos os corrimões, pernas da piscina e conectores estão unidos de forma firme. (Veja Fig. 7)

11. Certificar-se de que a válvula de dreno esteja correctamente fechada. Alise o fundo.

12. Insira as 8 pernas da tenda (K) nos 8 T-Conectores (C) (Veja Fig. 9)

13. Um pólo em fibra de vidro (L) tem 3 sessões. Estique o pólo em fibra de vidro, puxando para fora a cada sessão, e coloque-o nos anéis de meta

14. Insira uma extremidade da vara de fibra de vidro pré-estendida na perna da Tenda (K), a outra extremidade no Pulverizador (F). Repita este passo para as outras varas de fibra de vidro. Certifique-se que as 8 varas de fibra de vidro formam uma semi-cúpula. (Veja Fig. 10)

15. Espalhe o tecido exterior da tenda (O), certifique-se que o centro está acima do Pulverizador (F), ajuste a posição do tecido exterior da tenda (O) até que as linhas das costuras estejam sobrepostas às varas de fibra de vidro (L). Prenda o tecido exterior da tenda (O) à vara da perna vertical da piscina (B). (Veja Fig. 11)

16. Amarre o tecido exterior (O) à vara de fibra de vidro (L) usando os 3 pares de cordas no interior do tecido exterior (O). A corda também pode prender a mangueira (M).

17. Alise todas as pregas no tecido externo e deixe-o perfeito.

ES Montaje de la piscina de juegos Splash-in-Shade (no se precisan herramientas).

Bestway Inflatables no es responsable por daños provocados en la piscina debidos a un mal manejo o a la falta de respeto de estas instrucciones.

Para aumentar la vida útil de su piscina, es importante espolvorear el riel superior con polvo de talco antes del montaje. El polvo de talco no está incluido y es fácil de conseguir en el mercado.

1. Diseñe todas las piezas y verifique que tenga las cantidades correctas que se enumeran en la lista de componentes. Para asistencia o preguntas frecuentes, visite la sección de soporte en nuestro sitio web, www.bestwaycorp.com.

2. Extienda la piscina y asegúrese de que está cara arriba, déjela extendida a la luz del sol directa durante una hora o más para que sea más flexible durante el montaje.

3. Gire la piscina hasta que la válvula de drenaje se esté situada cerca de la zona donde desea vaciar el agua.

ATENCIÓN: No arrastre la piscina en el suelo para evitar que se pinche con objetos puntiagudos.

4. Introduzca los tapones de paro en la entrada y la salida de la pared de la piscina desde dentro de la piscina (Vea Fig. 8)

5. Introduzca el palo superior (A) en los bolsillos del mango en la parte superior de la piscina. (Vea Fig. 1)

6. Conecte el palo superior (A) con el conector en T (C) en cada esquina e introduzca las clavijas (D) en los orificios pretaladrados del armazón. (Vea Fig. 2, 3)

7. Repita los pasos 5 y 6 hasta que todos los rieles superiores (A) estén conectados con todos los empalmes en T (C) y la estructura superior quede montada.

ADVERTENCIA: Para un montaje más fácil, suba ligeramente los últimos 2 palos con una forma de V invertida e introduzca los conectores en T (C). Baje lentamente hasta haber realizado la conexión completa teniendo cuidado de no pellizcarse los dedos (Vea Fig. 4)

8. Conecte la pata de la piscina vertical (B) en la parte inferior del conector en T (C). (Vea Fig. 5)

ADVERTENCIA: Asegúrese de que el agujero en la pata de la piscina vertical (B) mira hacia fuera.

9. Acople todas las bases (E) en la parte inferior de las patas de la piscina verticales (B). (Vea Fig. 6)

10. Cuando la piscina esté completamente montada, tire de la estructura desde diferentes puntos para garantizar que los rieles, las patas y los conectores queden perfectamente encajados entre sí. (Vea Fig. 7)

11. Asegúrese de que la válvula de drenaje está firmemente cerrada. Alise el fondo.

12. Introduzca las 8 patas de la tienda (K) en los 8 conectores en T (C) (Vea Fig. 9)

13. Un palo de fibra de vidrio (L) tiene 3 secciones. Extienda el palo de fibra de vidrio estirando cada sección y colocándolo en los casquillos de metal.

14. Inserte un extremo del tubo de fibra de vidrio preextendido en la pata de la pantalla solar (K) y el otro extremo en el aspersor (F). Repita este paso para los demás tubos de fibra de vidrio. Asegúrese de que los 8 tubos de fibra de vidrio formen una semicúpula. (Vea Fig. 10)

15. Extienda la cubierta exterior de la tienda (O), asegúrese de colocar el centro sobre el aspersor (F); ajuste la posición de la cubierta exterior de la tienda (O) hasta que las costuras queden superpuestas sobre los tubos de fibra de vidrio (L). Enganche la cubierta exterior de la tienda (O) en el orificio situado en la pata vertical de la piscina (B) (Vea Fig. 11).

16. Ate la cubierta exterior (O) al tubo de fibra de vidrio (L) utilizando los 3 pares de cordones situados en la parte interior de la cubierta exterior (O). Estos cordones también se pueden utilizar sujetar la manguera (M).

17. Quite todas las arrugas de la tela exterior y déjela perfecta.

DE Aufbau des Splash-in-Shade Spielpools - kein Werkzeug erforderlich.

Die Firma Bestway Inflatables kann nicht für Schäden am Pool durch die falsche Behandlung oder Nichtbeachtung dieser Anweisungen haftbar gemacht werden.

Um die Lebensdauer Ihres Pools zu verlängern ist es wichtig, dass Sie vor der Montage Talkumpuder auf der oberen Schiene verteilen. Der Talkumpuder ist nicht enthalten, lässt sich jedoch am Markt einfach beschaffen.

1. Entnehmen Sie alle Teile und prüfen Sie, ob alle in der Teileliste aufgeführten Artikel in der richtigen Anzahl vorhanden sind. Für Hilfestellung oder Fragen & Antworten besuchen Sie bitte den entsprechenden Abschnitt unserer Webseite, www.bestwaycorp.com.

2. Falten Sie den Pool auseinander und prüfen Sie, dass die richtige Seite nach oben zeigt. Lassen Sie ihn für mindestens 1 Stunde dem direkten Sonnenlicht ausgesetzt, so dass der Pool während des Aufbaus flexibler ist.

3. Drehen Sie den Pool so, dass sich das Ablassventil in der Nähe des Bereichs befindet, in den Sie das Wasser ableiten möchten.

ACHTUNG: Ziehen Sie den Pool nicht auf den Boden, um eine Beschädigung durch

scharfe Gegenstände zu vermeiden.

4. Setzen Sie den Verschluss in den Ein- und Ausgang der Poolwand von der Innenseite des Pools ein. (Siehe Abb. 8)
5. Schieben Sie die obere Schiene (A) in die Stabbuchsen oben am Pool. (Siehe Abb. 1)
6. Verbin den Sie die obere Schiene (A) mit dem T-Verbinder (C) an jeder Ecke und fügen Sie die Stifte (D) in die vorgebohrten Löcher des Rahmens ein. (Siehe Abb. 2, 3).
7. Wiederholen Sie die Schritte 5 und 6, bis alle oberen Schienen (A) mit allen T-Verbindern (C) verbunden sind und der obere Rahmen montiert ist.
HINWEIS: Heben Sie zur Vereinfachung der Montage die letzten 2 Schienen in Form eines umgekehrten V an und fügen Sie sie in die letzten T-Verbinder (C) ein. Senken Sie sie vorsichtig ab, bis sie vollständig verbunden sind. Achten Sie darauf, sich nicht die Finger einzuklemmen (Siehe Abb. 4).
8. Verbinden Sie den senkrechten Pool-Fuß (B) mit dem Boden des T-Verbinders (C). (Siehe Abb. 5)
HINWEIS: Prüfen Sie, ob die Öffnung im senkrechten Schwimmbeckenfuß (B) nach außen zeigt.
9. Bringen Sie alle Fundamente (E) am Boden der senkrechten Pool-Füße (B) an. (Siehe Abb. 6)
10. Wenn der Pool vollständig montiert ist, ziehen Sie aus verschiedenen Richtungen am Rahmen, um sicherzustellen, dass alle Schienen, Poolbeine und Verbindungselemente fest zusammengefügt sind. (Siehe Abb. 7)
11. Prüfen Sie, ob das Abflussventil gut geschlossen ist. Glätten Sie den Boden.
12. Fügen Sie die 8 Zeltfüße (K) in die 8 T-Verbinder (C) ein (Siehe Abb. 9).
13. Ein Glasfaserstab (L) besteht aus 3 Teilen. Verlängern Sie den Glasfaserstab durch Herausziehen der einzelnen Teile und positionieren Sie ihn in den Metallhülsen.
14. Stecken Sie ein Ende der vorgeformten Fiberglasstange in das Zeltbein und das andere Ende in den Zerstäuber (F) ein. Wiederholen Sie diesen Schritt für die anderen Fiberglasstangen. Vergewissern Sie sich, dass die 8 Fiberglasstangen eine Halbkuppel bilden. (Siehe Abb. 10)
15. Breiten Sie das äußere Zelttuch (O) aus, vergewissern Sie sich, dass sich die Mitte über dem Zerstäuber (F) befindet, richten Sie die Position des äußeren Zelttuchs so aus, dass die Nahtlinien die Fiberglasstangen (L) überlagern. Haken Sie das äußere Zelttuch (O) in das Loch des senkrechten Poolbeins (B) ein. (Siehe Abb. 11)
16. Binden Sie das äußere Tuch (O) mithilfe der 3 Seilpaare an der Innenseite des äußeren Zelttuchs (O) an der Fiberglasstange (L) fest. Das Seil kann auch zur Befestigung des Schlauchs (M) genutzt werden.
17. Streichen Sie alle Falten auf der äußeren Zeltwand glatt und machen Sie sie fehlerfrei.

FI Splash-in-Shade -leikkialtaan kokoamisessa ei tarvita työkaluja.

Bestway Inflatables ei vastaa altaan vahingoista, jotka aiheutuvat väärästä käsittelystä tai näiden ohjeiden noudattamatta jättämisestä.

Uima-altaan käyttöön pidentämiseksi on tärkeää ripotella yläkiskolle talkkijauhoa ennen asennusta. Talkkijauho ei sisällä pakkaukseen, ja sitä on helposti saatavilla markkinilla.

1. Ota esille kaikki osat ja tarkista, että osien on oikea määrä osaluettelon mukaisesti. Saat lisätietoja ja apua sivustomme tukisivulta osoitteessa www.bestwaycorp.com.
2. Levitä allas ja varmist, että se on oikein päin. Anna sen olla suorassa auringonvalossa vähintään 1 tunnin ajan, jotta se on joustavampi asennuksen aikana.
3. Käännä allas siten, että tyhjennysventiili on lähellä aluetta, johon suunnittelet veden laskemista. **HUOMAA:** Älä vedä allasta maata pitkin, jotta terävät esineet eivät puhkaise sitä.
4. Työnnä tulppa altaan seinän tulo- ja lähtöaukkoihin sisäpuolelta. (Katso Kuva. 8)
5. Työnnä yläkaide (A) vaippoihin altaan yläreunassa. (Katso Kuva. 1)
6. Liitä yläkaide (A) T-liittimeen (C) jokaisessa kulmassa ja työnnä tapit (D) kehyyksen valmiisiin reikiin. (Katso Kuva. 2, 3)
7. Toista vaiheet 5 ja 6, kunnes kaikki yläkaiteet (A) on yhdistetty kaikkiin T-liittimiin (C) ja yläkehys on asennettu.
HUOMAA: Kokoamisen helpottamiseksi nosta kahta viimeistä kaidetta nurinpäin olevan v:n muotoon ja työnnä viimeisiin T-liittimiin (C). Laska hitaasti, kunnes liitos on valmis. Varo jättämästä sormiasi väliin. (Katso Kuva. 4)
8. Liitä altaan pystysuora jalka (B) T-liittimen pohjaan (C). (Katso Kuva. 5)
HUOMAA: Varmista, että reikä pystysuorassa altaan jalassa (B) on ulos päin.
9. Liitä kaikki jalustat (E) altaan pystysuorien jalkojen (B) pohjiin. (Katso Kuva. 6)
10. Kun allas on kokonaan koottu, vedä kehystä eri suunnista varmistaaksesi, että kaikki kaiteet, altaan jalat ja liittimet ovat tiukasti kiinni toisissaan. (Katso Kuva. 7)
11. Varmista, että tyhjennysventiili on lujasti suljettu. Tasaota pohja.
12. Työnnä 8 teltan jalkaa (K) 8 T-liittimeen (C). (Katso Kuva. 9)
13. Yhdessä lasikuituputkessa (L) on 3 osaa. Pidennä lasikuituputki vetämällä kunkin osan ulos ja asettamalla sen metalliholkkien varaan.
14. Syötä yksi valmiiksi jatkettu lasikuitupaaluun päistä telttajalkaan (K), toinen pääh sumuttimeen (F). Toista tämä vaihe toisille lasikuitupaaluille. Varmista, että kahdeksan lasikuitupaalua muodostavat puolikuvun. (Katso Kuva. 10)
15. Levitä teltan ulkokangas (O). Varmista, että keskusta on sumuttimen (F) yläpuolella. Säädä teltan ulkokangas (O) paikkaa, kunnes ompelulinjat ovat lasikuitupaalujen (L) kanssa päällekkäin. Kiinnitä teltan ulkokangas (O) pystysuuntaisen altaan jalan reikään (B). (Katso Kuva. 11)
16. Sido ulkokangas (O) lasikuitupaaluun (L) käyttämällä kolmea pariköyttä ulkokangas (O) sisäpuolelta. Köysi voi kiinnittää myös letkun (M).
17. Tasaota kaikki rypyt ulkokankaasta.

NL Voor montage van het Spe.tter-in-de-schaduw speelzwembad is geen gereedschap nodig.

Bestway Inflatables kan niet aansprakelijk gesteld worden voor schade aan het zwembad die toe te schrijven is aan een verkeerde hantering of het niet naleven van deze aanwijzingen. Om ervoor te zorgen dat je zwembad langer meegaat, is het belangrijk om de bovenste rail met talkpoeder te bestrooien voor de montage. Talkpoeder is niet inbegrepen, maar is eenvoudig in de handel verkrijgbaar.

1. Leg alle onderdelen neer en controleer of u de juiste hoeveelheden heeft, zoals op de onderdelenlijst staat vermeld. Voor assistentie of FAQs kunt u de supportafdeling op onze website bezoeken op www.bestwaycorp.com.
2. Als het zwembad geleverd werd met een bodemezel, spreid dit dan zorgvuldig open op de gewenste plaats. Zorg ervoor dat het zwembad zich in de buurt van een stopcontact van 220-240volt AC bevindt, voorzien van een beveiliging tegen restspanning.
3. Draai het zwembad, opdat de afvoerlepel dichtbij de zone zit waar u het water wilt afvoeren.
OPGELET: Sleep het zwembad niet over de ondergrond, om doorboring door scherpe voorwerpen te voorkomen.
4. Steek de afsluiter in de inlaat en uitlaat op de wand van het zwembad, van de

binnenzijde. (Zie Fig. 8)

5. Schuif de bovenrail (A) in de uitsparingen van de paal aan de bovenkant van het zwembad. (Zie Fig. 1)
6. Verbind de bovenste rail (A) met de T-connector (C) aan elke hoek en steek de pinnen (D) in de voorgeboorde gaten van het frame. (Zie Fig. 2, 3).
7. Herhaal stappen 5 en 6 totdat alle bovenste geleiders (A) aangesloten zijn op alle T-connectoren (C) en het bovenste frame is opgezet.
OPMERKING: Voor een makkelijke assemblage, worden de laatste 2 rails lichtjes geheven tot de vorm van een omgekeerde V, voor de verbinding met de laatste T-verbinding (C). Breng langzaam omlaag om de verbinding te voltooien en let op de vingers niet te pletten (Zie Fig. 4)
8. Steek de verticale paal (B) in de onderkant van de T-verbinding (C). (Zie Fig. 5)
OPMERKING: Zorg ervoor dat het gat in de verticale poot (B) naar buiten gericht is.
9. Bevestig alle basissen (E) op de onderkant van de verticale palen (B). (Zie Fig. 6)
10. Wanneer het zwembad gemonteerd is, trek dan aan het frame vanaf verschillende richtingen om ervoor te zorgen dat alle geleiders, zwembadpoten en connectoren goed vast zitten. (Zie Fig. 7)
11. Controleer of de drainageklep goed dicht is. Maak de bodem glad.
12. Steek de 8 tentpoten (K) in de 8 T-connectors (C) (Zie Fig. 9)
13. Een paal van glasvezel (L) heeft 3 delen. Verleng de paal van glasvezel door elk deel uit te trekken en plaats het in de metalen ogen.
14. Breng een uiteinde van de pre-extend glasvezelpaal naar de tentpoot (K) en het andere uiteinde naar de sproeier (F) Herhaal deze stap voor de andere glasvezelpalen. Zorg ervoor dat de 8 glasvezelpalen een halve koepel vormen. (Zie Fig. 10)
15. Spreid de buitenste doek van de tent uit (O), zorg ervoor dat het middelpunt boven is, op de sproeier (F), pas de positie van de buitenste doek (O) van de tent aan totdat de naden op de glasvezelpalen (L). Haak de buitenste doek van de tent (O) aan het gat van de verticale zwembadpoot (B). (Zie Fig. 11)
16. Bind de buitenste doek (O) aan de glasvezelpaal (L) door de 3 koppels touwen te gebruiken aan de binnenkant van de buitenste doek (O). Het touw kan ook de slang fixeren (M).
17. Wrijf alle rimpels weg uit de buitenbekleding, tot die perfect vlak is.

IT Il montaggio della piscina Splash-in-Shade non richiede l'impiego di utensili.

Bestway Inflatables declina qualsiasi responsabilità in merito a danni causati dall'uso improprio della piscina o dal mancato rispetto di queste istruzioni.

Per prolungare la durata della vostra piscina, spargere talco in polvere sulla guida superiore prima del montaggio. Il talco in polvere non è incluso ma facilmente reperibile sul mercato.

1. Disporre tutte le parti e verificare di avere tutte le quantità corrette come indicato nell'elenco dei componenti. Per assistenza o domande frequenti, visitare la sezione di supporto sul nostro sito web, www.bestwaycorp.com.
2. Stendere la piscina assicurandosi che sia rivolta verso l'alto e lasciarla esposta alla luce diretta del sole per almeno un'ora, in modo da agevolare il montaggio.
3. Posizionare la piscina in modo che la valvola di scolo si trovi in corrispondenza dell'area di drenaggio dell'acqua.
ATTENZIONE: Non trascinare la piscina sul terreno per evitare che oggetti appuntiti forino il prodotto.
4. Inserire dall'interno il tappo nelle valvole di entrata e uscita sulla parete della piscina (Vedere Fig. 8).
5. Inserire la barra superiore (A) nell'apposita fessura nella parte alta della piscina (Vedere Fig. 1).
6. Unire la barra superiore (A) con il raccordo a T (C) in corrispondenza di ciascun angolo e inserire i perni (D) nei fori già praticati sul telaio. (Vedere Fig. 2, 3).
7. Ripetere i passaggi 5 e 6 fino a che tutte le guide superiori (A) siano collegate a tutti i connettori a T (C) e la parte superiore della struttura installata.
NOTA: Per semplificare il montaggio, sollevare leggermente le ultime due barre fino a formare una V capovolta ed inserirle negli ultimi raccordi a T (C). Quindi abbassarle finché non sono inserite completamente, facendo attenzione a non farsi male alle dita (Vedere Fig. 4).
8. Unire i sostegni verticali (B) con la parte inferiore dei connettori a T (C). (Vedere Fig. 5)
NOTA: Assicurarsi che il foro sul sostegno verticale della piscina (B) sia rivolto verso l'esterno.
9. Unire tutte le basi (E) con la parte inferiore dei sostegni verticali (B) (Vedere Fig. 6).
10. Quando la piscina è completamente montata, tirare la struttura da diversi direzioni per assicurarsi che tutte le guide, i supporti e i connettori siano saldamente fissati. (Vedere Fig. 7)
11. Assicurarsi che la valvola di scolo sia ben chiusa. Lasciare il fondo.
12. Inserire le 8 aste della tenda (K) nei relativi connettori a T (Vedere Fig. 9).
13. Ogni asta in fibra di vetro (L) è suddivisa in tre sezioni. Allungare l'asta in fibra di vetro estraendo ogni sezione e posizionarla nell'apposita ghiera in metallo.
14. Inserire un'estremità del palo in fibra di vetro alla gamba del telo (K), l'altra estremità nello spruzzatore (F). Ripetere questo passaggio per gli altri pali in fibra di vetro. Assicurarsi che gli 8 pali in fibra di vetro formino una semicupola. (Vedere Fig. 10)
15. Stendere il telo esterno (O), assicurarsi che il centro si trovi sopra lo spruzzatore (F), regolare la posizione del telo esterno (O) fino a che le linee di giunzione siano sovrapposte ai pali in fibra di vetro (L). Agganciare il telo esterno (O) al foro del supporto verticale della piscina (B). (Vedere Fig. 11)
16. Fissare il telo esterno (O) al palo in fibra di vetro (L) utilizzando 3 coppie di funi all'interno del telo esterno (O). La fune può essere fissata anche al flessibile (M).
17. Eliminare tutte le pieghe presenti sul telo esterno.

FR Assemblez la piscine de jeu "Splash-in-Shade" sans outil

Bestway Inflatables n'est pas responsable pour les dommages causés à la piscine par une mauvaise manipulation ou par le non respect de ces instructions.

Pour prolonger la durée de vie de votre piscine, il est important d'appliquer du talc sur le rail supérieur avant assemblage. Le talc n'est pas inclus et s'achète facilement dans le commerce.

1. Étalez toutes les pièces et contrôlez que vous disposez des quantités correctes conformément à la liste des composants. Si vous avez besoin d'aide ou si vous souhaitez consulter les FAQ, veuillez visiter la section assistance de notre site web, www.bestwaycorp.com.
2. Déployez la piscine et contrôlez qu'elle soit tournée dans le bon sens, laissez-la au soleil pendant 1 heure ou plus pour qu'elle soit plus flexible pendant le montage.
3. Tournez la piscine afin que la soupape de drainage soit proche de la zone où vous avez prévu de vidanger l'eau.
REMARQUE : Ne traînez pas la piscine sur le sol afin d'éviter qu'elle ne soit perforée par des objets pointus.

4. Insérez le bouchon d'arrêt bleu dans les soupapes d'entrée et de sortie sur la paroi de la piscine, depuis l'intérieur. (Voir Fig. 8)
5. Insérez la traverse supérieure (A) dans les fourreaux au sommet de la piscine. (Voir Fig. 1)
6. Fixez la traverse supérieure (A) au raccord en T (C) à chaque coin et insérez les chevilles (D) d'abord dans les orifices percés de la structure. (Voir Fig. 2, 3).
7. Répétez les étapes 5 et 6 jusqu'à ce que tous les rails supérieurs (A) soient raccordés à tous les connecteurs en T (C) et que le cadre supérieur soit installé.
REMARQUE : Pour détendre l'ensemble, abaissez légèrement les deux dernières traverses en formant un V inversé et insérez-les dans les derniers raccords en T (C). Abaissez lentement l'ensemble en faisant attention de ne pas coincer vos doigts (Voir Fig. 4).
8. Fixez les montants verticaux (B) au bas du raccord en T (C). (Voir Fig. 5)
REMARQUE : Vérifiez que l'orifice sur le montant vertical de la piscine (B) est bien tourné vers l'extérieur.
9. Fixez tous les socles (E) au bas du montant verticale (B). (Voir Fig. 6)
10. Quand la piscine est totalement assemblée, tirez le cadre dans différentes directions pour s'assurer que tous les rails, les pieds de la piscine et les connecteurs sont fermement raccordés. (Voir Fig. 7)
11. Assurez-vous que la soupape d'évacuation soit bien fermée. Lissez le fond.
12. Insérez les 8 montants de la tente (K) dans les 8 connecteurs (C) (Voir Fig. 9)
13. Un arceau en fibre de verre (L) a 3 sections. Allongez l'arceau en fibre de verre en dépliant chaque partie et en la plaçant dans les embouts en métal.
14. Insérez une extrémité du pôle en fibre de verre prétendu vers la patte de la toile (K), l'autre extrémité vers le Pulvérisateur (F). Répétez cette étape pour les autres pôles en fibre de verre. Assurez-vous que les 8 pôles en fibre de verre forment un demi-dôme. (Voir Fig. 10)
15. Étendez le tissu extérieur de la toile (O), assurez-vous que le centre se trouve au-dessus du pulvérisateur (F), ajustez la position du tissu extérieur de la toile (O) jusqu'à ce que les lignes de couture se superposent aux pôles en fibres de verre (L). Accrochez le tissu extérieur de la toile (O) sur le trou de la patte de piscine verticale (B). (Voir Fig. 11)
16. Serrez le tissu extérieur (O) au pôle en fibre de verre (L) en utilisant les 3 paires de cordes à l'intérieur du tissu extérieur (O). La corde peut également fixer le tuyau (M).
17. Lissez tous les plis du tissu jusqu'à ce qu'il soit parfait.

EL

Η ΣΥΝΑΡΜΟΛΟΓΗΣΗ ΤΗΣ ΠΙΣΙΝΑΣ ΠΑΙΧΝΙΔΙΟΥ SPLASH-IN-SHADE ΔΕΝ ΑΠΑΙΤΕΙ ΕΡΓΑΛΕΙΑ.

H BESTWAY INFLATABLES ΔΕΝ ΘΑ ΕΥΧΩΝΕΤΑΙ ΓΙΑ ΒΛΑΒΗ ΣΤΗΝ ΠΙΣΙΝΑ ΛΟΓΩ ΚΑΚΟΥ ΧΕΙΡΙΣΜΟΥ Η ΑΣΤΟΧΙΑΣ ΤΗΡΗΣΗΣ ΑΥΤΩΝ ΤΩΝ ΟΔΗΓΩΝ. ΓΙΑ ΝΑ ΕΠΙΜΗΚΥΝΕΤΕ ΤΗ ΖΩΗ ΤΗΣ ΠΙΣΙΝΑΣ ΣΑΣ, ΕΙΝΑΙ ΣΗΜΑΝΤΙΚΟ ΝΑ ΠΑΣΠΑΛΙΣΕΤΕ ΤΗΝ ΕΠΑΝΩ ΡΑΓΑ ΜΕ ΤΗΝ ΠΟΥΔΡΑ TALCUM ΠΡΙΝ ΑΠΟ ΤΗ ΣΥΝΑΡΜΟΛΟΓΗΣΗ. Η ΠΟΥΔΡΑ TALCUM ΔΕΝ ΣΥΜΠΕΡΙΛΑΜΒΑΝΕΤΑΙ, ΕΙΝΑΙ ΟΜΩΣ ΔΙΑΘΕΣΙΜΗ ΣΤΗΝ ΑΓΟΡΑ ΚΑΙ ΕΥΚΟΛΟ ΝΑ ΤΗΝ ΒΡΕΙΤΕ.

1. ΤΟΠΟΘΕΤΗΣΤΕ ΟΛΑ ΤΑ ΕΞΑΡΤΗΜΑΤΑ ΚΑΙ ΒΕΒΑΙΩΘΕΙΤΕ ΟΤΙ ΕΧΕΤΕ ΤΙΣ ΣΩΣΤΕΣ ΠΟΣΟΤΗΤΕΣ ΠΟΥ ΑΝΑΦΕΡΟΝΤΑΙ ΣΤΗ ΣΧΕΤΙΚΗ ΛΙΣΤΑ ΤΩΝ ΕΞΑΡΤΗΜΑΤΩΝ. ΓΙΑ ΒΟΗΘΕΙΑ Η ΓΙΑ ΠΕΡΑΙΤΕΡΕΣ ΕΡΩΤΗΣΕΙΣ, ΠΑΡΑΚΑΛΟΥΜΕ ΔΕΙΤΕ ΤΗΝ ΕΝΟΤΗΤΑ ΤΕΧΝΙΚΗ ΥΠΟΣΤΗΡΙΞΗ ΣΤΗΝ ΙΣΤΟΣΕΛΙΔΑ ΜΑΣ, www.bestwaycorp.com.
2. ΕΚΠΤΥΞΤΕ ΤΗΝ ΠΙΣΙΝΑ ΚΑΙ ΦΡΟΝΤΙΣΤΕ Η ΠΙΣΙΝΑ ΝΑ ΕΙΝΑΙ ΜΕ ΤΗ ΣΩΣΤΗ ΠΛΕΥΡΑ ΠΡΟΣ ΤΑ ΠΑΝΩ. ΑΦΗΣΤΕ ΤΗΝ ΕΚΤΕΘΕΙΜΕΝΗ ΣΤΟ ΑΜΕΣΟ ΗΛΙΑΚΟ ΦΩΣ ΓΙΑ 1 ΩΡΑ Η ΠΕΡΙΣΣΟΤΕΡΟ ΕΤΩΣΤΕ ΟΣΤΕ Η ΠΙΣΙΝΑ ΝΑ ΕΙΝΑΙ ΠΙΟ ΕΥΚΑΜΠΗ ΚΑΤΑ ΤΗΝ ΕΓΚΑΤΑΣΤΑΣΗ.
3. ΠΕΡΙΣΤΡΕΦΤΕ ΤΗΝ ΠΙΣΙΝΑ ΕΤΩΣΤΕ Η ΒΑΛΒΙΔΑ ΑΠΟΣΤΡΑΓΓΙΣΗΣ ΝΑ ΒΡΙΣΚΕΤΑΙ ΚΟΝΤΑ ΣΤΟ ΧΩΡΟ ΟΠΟΥ ΣΧΕΔΙΑΖΕΤΕ ΝΑ ΑΠΟΣΤΡΑΓΓΙΖΕΤΑΙ ΤΟ ΝΕΡΟ.
ΠΡΟΣΟΧΗ: ΜΗΝ ΣΥΡΕΤΕ ΤΗΝ ΠΙΣΙΝΑ ΣΤΟ ΕΔΑΦΟΣ ΓΙΑ ΝΑ ΑΠΟΦΕΥΧΘΕΙ ΤΟ ΤΡΥΠΗΜΑ ΑΠΟ ΑΙΧΜΗΡΑ ΑΝΤΙΚΕΙΜΕΝΑ.
4. ΕΙΣΑΓΕΤΕ ΤΟ ΠΩΜΑ ΣΤΗΝ ΕΙΣΟΔΟ ΚΑΙ ΣΤΗΝ ΕΞΟΔΟ ΣΤΟ ΤΟΙΧΩΜΑ ΤΗΣ ΠΙΣΙΝΑΣ ΑΠΟ ΤΗΝ ΕΣΩΤΕΡΙΚΗ ΜΕΡΙΑ ΤΗΣ ΠΙΣΙΝΑΣ. (Βλ. ΕΙΚ. 8)
5. ΕΙΣΑΓΕΤΕ ΤΟΝ ΑΝΩ ΟΔΗΓΟ (Α) ΣΤΑ ΧΙΤΩΝΙΑ ΚΟΝΤΑΡΙΟΥ ΣΤΟ ΑΝΩ ΜΕΡΟΣ ΤΗΣ ΠΙΣΙΝΑΣ. (Βλ. ΕΙΚ. 1)
6. ΣΥΝΔΕΣΤΕ ΤΟΝ ΑΝΩ ΟΔΗΓΟ (Α) ΜΕ ΤΟΝ ΣΥΝΔΕΣΜΟ Τ (C) ΣΕ ΚΑΘΕ ΓΩΝΙΑ ΚΑΙ ΕΙΣΑΓΕΤΕ ΑΚΙΔΕΣ (D) ΣΤΙΣ ΠΡΟΔΙΑΝΟΙΓΜΕΝΕΣ ΟΠΕΣ ΤΟΥ ΠΛΑΙΣΙΟΥ. (Βλ. ΕΙΚ. 2, 3)
7. ΕΠΑΝΑΛΑΒΕΤΕ ΤΑ ΒΗΜΑΤΑ 5 ΚΑΙ 6 ΜΕΧΡΙ ΝΑ ΣΥΝΔΕΘΟΥΝ ΟΛΕΣ ΟΙ ΕΠΑΝΩ ΜΠΑΡΕΣ (Α) ΜΕ ΟΛΟΥΣ ΤΟΥΣ ΣΥΝΔΕΤΗΡΕΣ ΣΧΗΜΑΤΟΣ ΤΑΥ (T-CONNECTOR) (C) ΚΑΙ ΣΥΝΑΡΜΟΛΟΓΗΘΕΙ ΤΟ ΕΠΑΝΩ ΠΛΑΙΣΙΟ.
ΣΗΜΕΙΩΣΗ: ΓΙΑ ΕΥΚΟΛΙΑ ΣΤΗ ΣΥΝΑΡΜΟΛΟΓΗΣΗ ΑΝΥΨΩΣΤΕ ΕΛΑΦΡΑ ΤΟΥΣ ΤΕΛΕΥΤΑΙΟΥΣ 2 ΟΔΗΓΟΥΣ ΣΕ ΕΝΑ ΣΧΗΜΑ ΑΝΕΣΤΡΑΜΜΕΝΟΥ ΚΑΙ ΕΙΣΑΓΕΤΕ ΤΟΥΣ ΤΕΛΕΥΤΑΙΟΥΣ ΣΥΝΔΕΣΜΟΥΣ Τ (C). ΧΑΜΗΛΩΣΤΕ ΑΡΓΑ ΕΩΣ ΟΤΟΥ ΣΥΝΔΕΘΟΥΝ ΠΛΗΡΩΣ ΦΡΟΝΤΙΖΟΝΤΑΣ ΝΑ ΜΗΝ ΤΣΙΜΠΗΘΟΥΝ ΤΑ ΔΑΚΤΥΛΑ ΣΑΣ. (Βλ. ΕΙΚ. 4)
8. ΣΥΝΔΕΣΤΕ ΤΟ ΚΑΤΑΚΟΥΡΥΦΟ ΣΚΕΛΟΣ ΠΙΣΙΝΑΣ (B) ΣΤΟ ΚΑΤΩ ΜΕΡΟΣ ΤΟΥ ΣΥΝΔΕΣΜΟΥ Τ (C). (Βλ. ΕΙΚ. 5)
ΣΗΜΕΙΩΣΗ: ΒΕΒΑΙΩΘΕΙΤΕ ΟΤΙ Η ΟΠΗ ΣΤΟ ΚΑΤΑΚΟΥΡΥΦΟ ΠΟΔΙ ΠΙΣΙΝΑΣ (B) ΒΛΕΠΕΙ ΠΡΟΣ ΤΑ ΕΞΩ.
9. ΠΡΟΣΑΡΤΗΣΤΕ ΟΛΑ ΤΑ ΠΕΛΜΑΤΑ (E) ΣΤΟ ΚΑΤΩ ΜΕΡΟΣ ΤΩΝ ΚΑΤΑΚΟΥΡΥΦΩ ΣΚΕΛΩΝ ΠΙΣΙΝΑΣ (B). (Βλ. ΕΙΚ. 6)
10. ΟΤΑΝ Η ΠΙΣΙΝΑ ΣΥΝΑΡΜΟΛΟΓΗΘΕΙ ΠΛΗΡΩΣ ΤΡΑΒΗΣΤΕ ΤΟ ΠΛΑΙΣΙΟ ΑΠΟ ΔΙΑΦΟΡΕΤΙΚΕΣ ΚΑΤΕΥΘΥΝΣΕΙΣ ΓΙΑ ΝΑ ΕΞΑΣΦΑΛΙΣΕΤΕ ΟΤΙ ΟΛΕΣ ΟΙ ΜΠΑΡΕΣ, ΤΑ ΠΟΔΙΑ ΤΗΣ ΠΙΣΙΝΑΣ ΚΑΙ ΟΙ ΣΥΝΔΕΤΗΡΕΣ ΕΧΟΥΝ ΣΥΝΔΕΘΕΙ ΓΕΡΑ. (Βλ. ΕΙΚ. 7)
11. ΒΕΒΑΙΩΘΕΙΤΕ ΟΤΙ Η ΒΑΛΒΙΔΑ ΠΑΡΟΧΕΤΕΥΣΗΣ ΕΙΝΑΙ ΚΑΛΑ ΚΛΕΙΣΜΕΝΗ. ΙΣΟΠΕΔΩΣΤΕ ΤΟΝ ΠΥΘΜΕΝΑ.
12. ΕΙΣΑΓΕΤΕ ΤΑ 8 ΠΟΔΙΑ ΣΚΗΝΗΣ (K) ΣΤΟΥΣ 8 ΣΥΝΔΕΣΜΟΥΣ Τ (C) (Βλ. ΕΙΚ. 9).
13. ΕΝΑ ΣΤΗΡΙΓΜΑ ΥΑΛΟΝΗΜΑΤΟΣ (L) ΕΧΕΙ 3 ΤΜΗΜΑΤΑ. ΕΚΤΕΙΝΕΤΕ ΤΟ ΣΤΗΡΙΓΜΑ ΥΑΛΟΝΗΜΑΤΟΣ ΤΡΑΒΩΝΤΑΣ ΚΑΘΕ ΤΜΗΜΑ ΚΑΙ ΤΟΠΟΘΕΤΗΣΤΕ ΤΟ ΣΤΟΥΣ ΜΕΤΑΛΛΙΚΟΥΣ ΔΑΚΤΥΛΟΥΣ.
14. ΕΙΣΑΓΕΤΕ ΤΟ ΕΝΑ ΑΚΡΟ ΤΟΥ ΠΡΟ-ΕΚΤΕΤΑΜΕΝΟΥ ΣΤΥΛΟΥ ΑΠΟ ΥΑΛΟΝΗΜΑΤΑ ΣΤΟ ΠΟΔΙ ΣΚΗΝΗΣ (K), ΤΟ ΑΛΛΟ ΑΚΡΟ ΣΤΟΝ ΦΕΚΑΣΤΗΡΑ (F). ΕΠΑΝΑΛΑΒΕΤΕ ΤΟ ΒΗΜΑ ΑΥΤΟ ΓΙΑ ΤΟΥΣ ΑΛΛΟΥΣ ΣΤΥΛΟΥΣ ΑΠΟ ΥΑΛΟΝΗΜΑΤΑ. ΒΕΒΑΙΩΘΕΙΤΕ ΟΤΙ ΟΙ 8 ΣΤΥΛΟΙ ΑΠΟ ΥΑΛΟΝΗΜΑΤΑ ΣΧΗΜΑΤΙΖΟΥΝ ΕΝΑ ΗΜΙΣΦΑΙΡΙΟ. (Βλ. ΕΙΚ. 10)
15. ΑΠΛΩΣΤΕ ΤΟ ΕΞΩΤΕΡΙΚΟ ΥΦΑΣΜΑ ΤΗΣ ΣΚΗΝΗΣ (O), ΒΕΒΑΙΩΘΕΙΤΕ ΟΤΙ ΤΟ ΚΕΝΤΡΟ ΒΡΙΣΚΕΤΑΙ ΕΠΑΝΩ ΑΠΟ ΤΟΝ ΦΕΚΑΣΤΗΡΑ (F), ΡΥΘΜΙΣΤΕ ΤΗ ΘΕΣΗ ΤΟΥ ΕΞΩΤΕΡΙΚΟΥ ΥΦΑΣΜΑΤΟΣ ΤΗΣ ΣΚΗΝΗΣ (O) ΜΕΧΡΙ ΟΙ ΓΡΑΜΜΕΣ ΤΩΝ ΡΑΦΩΝ ΝΑ ΒΡΙΣΚΟΝΤΑΙ ΕΠΑΝΩ ΣΤΟΥΣ ΣΤΥΛΟΥΣ ΑΠΟ ΥΑΛΟΝΗΜΑΤΑ (L). ΑΓΚΙΣΤΡΩΣΤΕ ΤΟ ΕΞΩΤΕΡΙΚΟ ΥΦΑΣΜΑ ΤΗΣ ΣΚΗΝΗΣ (O) ΣΤΗΝ ΟΠΗ ΤΟΥ ΚΑΤΑΚΟΥΡΥΦΟΥ ΠΟΔΙΟΥ ΠΙΣΙΝΑΣ (B). (Βλ. ΕΙΚ. 11)
16. ΔΕΣΤΕ ΤΟ ΕΞΩΤΕΡΙΚΟ ΥΦΑΣΜΑ (O) ΣΤΟ ΣΤΥΛΟ ΑΠΟ ΥΑΛΟΝΗΜΑΤΑ (L) ΧΡΗΣΙΜΟΠΟΙΩΝΤΑΣ ΤΑ 3 ΖΕΥΓΗ ΚΟΡΔΟΝΙΩΝ ΣΤΟ ΕΞΩΤΕΡΙΚΟ ΤΟΥ ΕΞΩΤΕΡΙΚΟΥ ΥΦΑΣΜΑΤΟΣ (O). ΤΟ ΚΟΡΔΟΝΙ ΜΠΟΡΕΙ ΕΠΙΣΗΣ ΝΑ ΣΤΕΡΕΩΣΕΙ ΤΟΝ ΕΥΚΑΜΠΤΟ ΣΩΛΗΝΑ (M).
17. ΙΣΙΩΣΤΕ ΟΛΕΣ ΤΙΣ ΖΑΡΕΣ ΤΟΥ ΕΞΩΤΕΡΙΚΟΥ ΥΦΑΣΜΑΤΟΣ ΚΑΙ ΚΑΝΤΕ ΤΟ ΤΕΛΕΙΟ.

RU

Сборка игрового бассейна Splash-in-Shade — без единого инструмента

Компания Bestway Inflatables не принимает на себя ответственность за повреждения бассейна по причине неправильного обращения или несоблюдения настоящей инструкции.

Чтобы продлить срок службы бассейна, нужно посыпать тальком верхние направляющие перед сборкой. Тальк не входит в комплект поставки, но его можно легко найти в продаже.

1. Разложите все составные части и проверьте соответствие их количества по списку компонентов. Для получения помощи или просмотра часто задаваемых вопросов посетите раздел поддержки на нашем веб-сайте www.bestwaycorp.com.
2. Расстелите бассейн и убедитесь, что он расстелен правильной стороной вверх. Оставьте его примерно на час под прямыми лучами солнца, для того чтобы он был более эластичным при сборке.
3. Поверните бассейн так, чтобы сливной клапан оказался рядом с тем местом, куда вы планируете сливать воду.
ВНИМАНИЕ: Не перетаскивайте волоком бассейн по земле, он может повраться об острые предметы.
4. Вставьте с внутренней стороны голубую закрывающую пробку в отверстие в стенке бассейна. (См. Рис. 8)
5. Вставьте балки (A) в карманы верхнего края бассейна. (См. Рис. 1)
6. Соедините балки (A) с Т-образными разъемками (C) на каждом углу, после чего вставьте штифты (D) в просверленные в каркасе отверстия. (См. Рис. 2, 3).
7. Повторите шаги 5 и 6, пока все верхние направляющие (A) не соединятся со всеми Т-образными соединителями (C) и не будет установлена верхняя рама.
ПРИМЕЧАНИЕ: Для упрощения сборки слегка поднимите последние две балки, так, чтобы получилось подобие перевернутой буквы V, и вставьте оставшиеся Т-образные разъемы (C). Медленно опустите их до полного соединения, при этом не зажимайте пальцы. (См. Рис. 4)
8. Вставьте вертикальные стойки (B) в нижние части Т-образных разъемов (C). (См. Рис. 5)
ПРИМЕЧАНИЕ: Отверстие на вертикальной стойке (B) бассейна должно быть обращено наружу.
9. Присоедините все башмаки (E) к нижним частям вертикальных опор бассейна (B). (См. Рис. 6)
10. Когда бассейн будет полностью собран, потяните раму в разных направлениях, чтобы проверить надежность крепления всех направляющих, ножек бассейна и соединителей. (См. Рис. 7)
11. Убедитесь в том, что сливной клапан надежно закрыт. Выровняйте дно.
12. Вставьте 8 стоек тента (K) в 8 Т-образных соединителей (C). (См. Рис. 9)
13. Один фиброгласовый стержень (L) состоит из трех секций. Соберите фиброгласовый стержень, вытягивая каждую секцию и помещая ее в металлическую муфту.
14. Вставьте один конец предварительно удлиненной жерди из стекловолокна в ножку тента (K), а другой конец в распылитель (F). Повторите операцию с другими жердями из стекловолокна. Убедитесь в том, что восемь жердей формируют купол. (См. Рис. 10)
15. Расправьте наружную ткань тента (O) так, чтобы ее центр находился над распылителем (F), и закрепите ткань так, чтобы швы накладывались на жерди из стекловолокна (L). Зацепите наружную ткань тента (O) крючком за отверстие вертикальной ножки бассейна (B). (См. Рис. 11)
16. Прикрепите наружную ткань (O) к жерди из стекловолокна (L) с помощью 3 пар веревок на изнанке наружной ткани (O). Вережка может крепить и шланг (M).
17. Расправьте складки тента так, чтобы он отлично смотрелся.

PL

Do rozłożenia basenu nie są potrzebne narzędzia.

Firma Bestway Inflatables nie bierze na siebie odpowiedzialności za uszkodzenia powodowane niewłaściwą obsługą basenu lub nieprzestrzeganiem niniejszych instrukcji. Aby przedłużyć trwałość basenu, przed montażem należy posypać takiem górną szynę. Talku brak w zestawie i jest on łatwo dostępny w handlu.

1. Rozłóż wszystkie części i sprawdź, czy masz prawidłowe ilości wymienione na liście komponentów. Aby uzyskać pomoc lub często zadawane pytania, odwiedź sekcję pomocy technicznej na naszej stronie internetowej www.bestwaycorp.com.
2. Rozłóż basen i sprawdź, czy jest odpowiednią stroną do góry, zostaw go na słońcu przez 1 godzinę lub dłużej, żeby podczas montażu basen był bardziej elastyczny.
3. Obróć basen tak, aby zawór spustowy znajdował się w pobliżu miejsca, gdzie planowane jest spuszczenie wody.
OSTRZEŻENIE: Nie ciągnij basenu po ziemi, bo ostre przedmioty mogą go przedziurawić. Firma Bestway Inflatables nie bierze na siebie odpowiedzialności za uszkodzenia powodowane niewłaściwą obsługą basenu lub nieprzestrzeganiem niniejszych instrukcji.
4. Włóż niebieski do otworu wlewu i odpływu znajdującego się na ścianie basenu od strony wewnętrznej. (Zob. Rys. 8)
5. Włóż górną listwę (A) do osłony słupka na górze basenu. (Zob. Rys. 1)
6. Połącz górną listwę (A) ze złączem T (C) na każdym rogu i włóż zawleccki (D) do wywierconych otworów konstrukcji. (Zob. Rys. 2, 3)
7. Powtórzyc czynności 5 i 6, aż wszystkie górne belki (A) będą połączone ze stosownymi trójnikami (C) i górna rama będzie złożona.
UWAGA: Aby ułatwić montaż, ostatnie 2 listwy podnieś lekko, żeby stworzyły literę v i włóż w nie ostatnie dwa złącza T (C). Powoli opuść je, aż całkowicie zostaną połączone, uważając, żeby nie ścisnąć swoich palców. (Zob. Rys. 4)
8. Włóż pionowe nogi (B) do złącza T (C) na dnie basenu. (Zob. Rys. 5)
UWAGA: Sprawdź, czy otwór na pionowo ustawionej nodze basenu (B) jest na zewnątrz.
9. Przymocuj wszystkie stopki (E) do dolnej części pionowych nóg basenu (B). (Zob. Rys. 6)
10. Gdy basen jest całkiem zmontowany, pociągnij za ramę w różnych kierunkach, aby upewnić się, że wszystkie belki, nogi szelaza i złącza są mocno połączone. (Zob. Rys. 7)
11. Sprawdź, czy zawór odpływu jest mocno zamknięty. Wygładź fałdy dna basenu.
12. Włóż 8 Nóg namiotu (K) do 8 Łączników-T (C) (Zob. Rys. 9)
13. Jeden słupek z włókna szklanego (L) składa się z 3 części. Rozciągnij słupek z włókna szklanego, wyciągając każdą część, następnie umieść go w obudowie metalowej.
14. Wsuń jeden koniec wstępnie rozszerzonego kija z włókna szklanego do Nogi namiotu (K), a drugi koniec do Rozpylacza (F). Powtórz te działania w odniesieniu do pozostałych kijków z włókna szklanego. Upewnij się, że 8 kijków z włókna szklanego tworzy półkopolę. (Zob. Rys. 10)
15. Rozłóż zewnętrzne płótno namiotu (O), upewnij się, że środek znajduje się nad Rozpylaczem (F), wyreguluj pozycję zewnętrznego płótna namiotowego (O) tak, by linie

- szycia były nałożone na kijki z włókna szklanego (L). Zaczep zewnętrzne płótno namiotowe (O) do otworu pionowej nogi basenu (B). (Zob. Rys. 11)
- Przywiąż zewnętrzne płótno namiotowe (O) do kijki z włókna szklanego (L) przy użyciu 3 par lin przy wewnętrznych płótnie namiotowym (O). Lina może także mocować węzą (M).
 - Wygładź wszystkie zmarszczki na materiale zewnętrznym i ulóż go dokładnie.

- Bind ytterduken (O) vid glasfiberstolpen (L) med hjälp av de tre par rep som finns på innersidan av ytterduken (O). Repet kan även fixera slangen (M).
- Slåta ut alla rynkor på det yttre tyget så att det blir perfekt.

HU A Splash-in-Shade játszómedence összeszereléséhez nincs szükség szerszámra.

A Bestway Inflatables cég nem vállal magára felelősséget a medence nem rendeltetészerű vagy a használati utasításban foglaltaktól eltérő felhasználásából eredő esetleges károkért. A medence élettartamának a meghosszabbítása érdekében fontos, hogy összeszerelés előtt lássa el a felső sínt hintőporral. A hintőpor nem képezi a csomag részét, azonban könnyen beszerezhető.

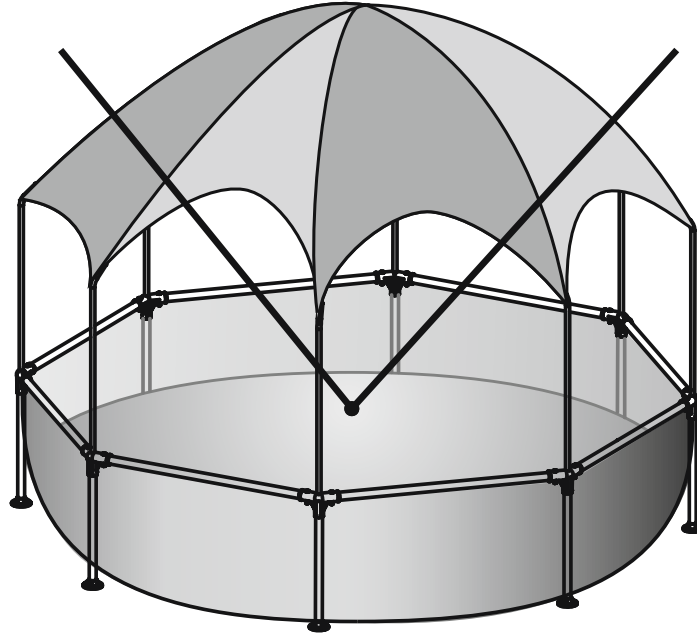
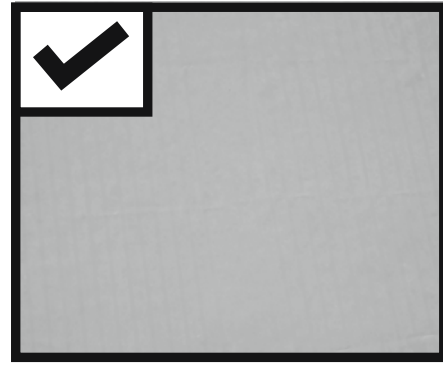
- Tegye le a földre az összes alkatrészt, és ellenőrizze, hogy az alkatrészlistában jelölt mennyiségben rendelkezésre áll az összes alkatrész. Támogatás ügyében vagy GYIK kapcsán látogassa meg a www.bestwaycorp.com weboldalunk ügyféltámogatás részét.
- Terítse szét a medencét és ellenőrizze, hogy a megfelelő oldalával legyen felfelé, hagyja a napon legalább 1 óráig, hogy a felállítása után rugalmasabb legyen.
- Forgassa a medencét úgy, hogy a leeresztőszelep közel legyen a vízleeresztés tervezett helyéhez.
VIGYÁZAT: A medencét ne húzza a földön, hogy azt éles tárgyak nehegy kilyukasszák.
- Dugja be belülről a kék dugaszt a medence falán lévő ki- és befolyó nyílásba. (Ld. 8. Ábra)
- Helyezze be a felső peremkorlátot (A) a medence felső részénél található oszlophüvelyekbe. (Ld. 1. Ábra)
- Kapcsolja össze a felső peremkorlátot (A) a T-csatlakozóval (C) minden egyes saroknál és helyezze be a cövekeket (D) a konstrukció előre kifúrt nyílásaiba. (Ld. 2. 3. Ábra)
- Ismételje az 5. és 6. lépést addig, amíg a felső sínek (A) mindegyike be nem lesz dugva az összes T csatlakozóba (C), és a felső keret fel nem lesz állítva.
FIGYELEM: A szerelés megkönnyítése céljából emelje fel egy kicsit az utolsó 2 peremkorlátot, v-alakot formálva belőlük és tolja be az utolsó T-csatlakozókba (C). Lassan engedje le, míg azok teljesen összakapcsolódnak, ügyelve arra, hogy ne csípje be az ujját (Ld. 4. Ábra)
- Csatlakoztassa a függőleges medence-lábat (B) a T-csatlakozó (C) alsó részéhez. (Ld. 5. Ábra)
FIGYELEM: Ügyeljen arra, hogy a függőleges medencelábon (B) található nyílás kifelé nézzen.
- Erősítse az összes talpat (E) a függőleges medence-lábak (B) aljához. (Ld. 6. Ábra)
- Ha a medence tökéletesen össze van szerelve, húzza meg a keretet különböző irányokból, hogy ellenőrizze a sínek, medencelábak és csatlakozások szilárd csatlakozását. (Ld. 7. Ábra)
- Győződjön meg arról, hogy a vízleeresztő szelep erősen zárva legyen. Simítsa ki az alját.
- Illeszze be a 8 Sátorlábát (K) a 8 T-Csatlakozóba (C) (Ld. 9. Ábra)
- Mindegyik üvegszálás rúd (L) 3 részből áll. Húzza szét az üvegszálás rudat, annak minden egyes részét kihúzva, majd illeszze be a fém csatlakozó csapba.
- Dugja be az előzetesen meghosszabbított üvegszálás rúd egyik végét a sátor lábába (K), a másik végét pedig a permetezőbe (F). Ismétlje meg ezt a lépést a többi üvegszálás rúdnál. Győződjön meg arról, hogy a 8 üvegszálás rúd félkupolát alkot. (Ld. 10. Ábra)
- Húzza fel a sátor külső ponyváját (O), ügyelve, hogy a közepe a permetező fölött legyen (F) – állítsa be a külső ponyva (O) helyzetét addig, amíg a varrások az üvegszálás rudak fölé nem kerülnek (L). Kampózza be a sátor külső ponyváját (O) a függőleges sátorláb (B) lyukába. (Ld. 11. Ábra)
- A külső ponyva (O) belsején található 3 kötélpárral kötözze rá a külső ponyvát (O) az üvegszálás rúdra (L). A kötéllel a tömlő (M) is rögzíthető.
- Simítsa ki teljesen a külső sátorlap ráncait.

SV Montera lekpoolen Splash-in-Shade – inga verktyg behövs.

Bestway Inflatables ansvarar inte för skador på poolen om de uppstår på grund av felaktig hantering eller om man inte följer dessa instruktioner.

För att förlänga din pools livstid är det viktigt att spruta toppskenan med talkpuder före monteringen. Talkpuder ingår inte och är lätt tillgänglig på marknaden.

- Lägg ut alla delar och kontrollera att du har rätt antal delar som finns listade i förteckningen. För assistans eller vanliga frågor, besök hjälpvadningen på vår webbplats, www.bestwaycorp.com.
- Lägg ut poolen och se till att rätt sida är vänd uppåt. Låt den ligga i solen i minst 1 timme så att den blir mjukare att installera.
- Vrid poolen så att avtappningsventilen är nära området där du planerar att tömma vattnet.
VARNING: Dra aldrig poolen på marken för att undvika att den punkteras av vassa föremål.
- Sätt i den proppen i uttaget på väggen av poolen från poolens insida. (Se Fig. 8)
- Sätt i den övre rälsen (A) i fickorna upptill på poolen. (Se Fig. 1)
- Koppla samman den övre stängen (A) med T-kopplingen (C) vid varje hörn och för in stift (D) i de förborrade hålen i ramen. (Se Fig. 2, 3)
- Repetera steg 5 och 6 tills alla över stänger (A) är anslutna till alla T-anslutare (C) och övre ramen är monterad.
OBS: För en lätt monteringen, ska du höja de sista 2 rälsarna något till en omvänd v-form och sätta i de sista T-kontakterna (C). Sänk den sakta tills den är helt ansluten och var försiktig så att du inte klämmer fingrarna. (Se Fig. 4)
- Anslut det vertikala poolbenet (B) i undersidan av T-kontakten (C). (Se Fig. 5)
OBS: Kontrollera att hålet på det vertikala poolbenet (B) är vänt utåt.
- Dra i ramen från olika riktningar för att se till att alla rälsar, poolben och kontakter sitter ordentligt. (Se Fig. 7)
- När poolen är färdigmonterad drar du i ramen från olika håll för att säkerställa att alla stänger, poolben och anslutare är stadigt skarvade. (Se Fig. 7)
- Se till att tömningsventilen är ordentligt åtdragen. Jämn ut botten.
- För in de 8 tältbenen (K) i de 8 T-kopplingarna (C) (Se Fig. 9)
- En pinne i fiberglas (L) har 3 sektioner. Dra ut pinnen i fiberglas genom att dra ut varje sektion och placera den i metallringarna.
- För in en ända av den förutsträckta glasfiberstolpen till tältbenet (K), den andra änden till sprutaren (F). Repetera detta steg för de andra glasfiberstolparna. Se till att de 8 glasfiberstolparna formar en halvkupa. (Se Fig. 10)
- Sprid ut tältets yttre duk (O) och se till att dess mitt är ovanför sprutaren (F). Justera tältets ytterduks (O) position tills sömnadslinjerna ligger ovanpå glasfiberstolparna (L). Haka fast tältets ytterduk (O) till det vertikala poolbenets (B) hål. (Se Fig. 11)



EN smooth out the bottom

Put 1" to 2" water in the pool to cover the floor. Once pool floor is slightly covered, gently smooth out all wrinkles. Start in the center of the pool and work your way clockwise to the outside.

PT suavizar o fundo

Encher a piscina com uma quantidade de água suficiente para cobrir a superfície (de 2 a 5 cm). Uma vez que a superfície estiver levemente coberta, eliminar todas as dobras presentes, começando pelo centro da piscina e continuando, no sentido horário, em direção à parte externa.

ES suavizar la parte inferior

Ponga de 1" a 2" de agua en la piscina para cubrir el suelo. Cuando la piscina esté un poco cubierta, alise suavemente las arrugas. Comience desde el centro de la piscina y trabaje en sentido horario hacia el exterior.

DE glätten den Boden

Füllen Sie 1" bis 2" Wasser in den Pool, so dass der Boden bedeckt ist. Glätten Sie vorsichtig alle Falten sobald der Poolboden leicht bedeckt ist. Beginnen Sie in der Mitte des Pools und arbeiten Sie im Uhrzeigersinn zur Außenseite.

FI tasoittaa pohjaan

Laita altaaseen 2,5 - 5cm:n kerros vettä pohjan peittämiseksi. Kun altaan pohja on peittynyt, silitä varovasti kaikki rypyt. Aloita keskeltä ja etene myötäpäivään laidoille.

NL glad uit de bodem

Doe 1" tot 2" water in het zwembad, net voldoende om de bodem onder water te zetten. Wanneer dit gebeurd is worden alle rimpels voorzichtig gladgestreken. Begin in het midden van het zwembad en ga zo rechtsom naar de rand toe.

IT appianare il fondo

Riempire la piscina con una quantità d'acqua sufficiente a coprire la superficie (da 2,5 a 5cm) Una volta piscina verso l'esterno muovendosi in senso orario. eseguita questa operazione, eliminare tutte le pieghe presenti sulla superficie partendo dal centro della.

FR lisser le fond

Mette quelques centimètres d'eau dans la piscine pour couvrir le sol. Une fois que le sol de la piscine est légèrement recouvert, lissez tous les plis. Commencez par le centre de la piscine et continuez dans le sens des aiguilles d'une montre vers l'extérieur.

EL ΕΞΟΜΑΛΥΝΕΙ ΤΟ ΠΥΘΜΕΝΑ

ΒΑΛΤΕ 1" ΕΩΣ 2" ΝΕΡΟ ΣΤΗΝ ΠΙΣΙΝΑ ΓΙΑ ΝΑ ΚΑΛΥΨΕΤΕ ΤΟ ΠΑΤΩΜΑ. ΜΟΛΙΣ ΚΑΛΥΨΘΕΙ ΕΛΑΦΡΑ ΤΟ ΠΑΤΩΜΑ ΤΗΣ ΠΙΣΙΝΑΣ, Ο ΕΓΚΑΤΑΣΤΑΤΗΣ ΠΡΕΠΕΙ ΝΑ ΙΣΙΩΣΕΙ ΟΛΕΣ ΤΙΣ ΠΤΥΧΕΣ. ΞΕΚΙΝΗΣΤΕ ΑΠΟ ΤΟ ΚΕΝΤΡΟ ΤΗΣ ΠΙΣΙΝΑΣ ΚΑΙ ΣΥΝΕΧΙΣΤΕ ΔΕΞΙΟΣΤΡΟΦΑ ΠΡΟΣ ΤΑ ΕΞΩ.

RU Расправьте дно

Налейте немного воды в бассейн так, чтобы она покрывала дно на 3-5 сантиметров. Когда вода налита, аккуратно расправьте складки дна. Начинайте с центра бассейна и двигайтесь к краям по часовой стрелке.

PL wygładzić dna

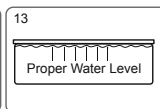
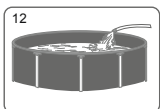
Puść wodę do basenu o głębokości 1" - 2", aby jej warstwa zakryła dno basenu. Jeśli dno basenu jest już trochę zakryte wodą, delikatnie wygładź wszystkie jego fałdy. Zacznij od środka basenu i idąc w kierunku zgodnym z ruchem wskazówek zegara, podążaj do brzegu basenu.

HU elsimítására az alsó

A medencébe engedjen 1" - 2" mélységű vizet, hogy az a medence fenekét befedje. Ha a medence alján egy kis mennyiségű víz található, a gyűrődéseket finoman egyenesítse ki. A medence közepétől kezdje és az óramutató járásával megegyezően haladjon a medence szélé felé.

SV jämna ut botten

Häll 1" till 2" vatten i poolen för att täcka golvet. Då poolgolvet är något täckt, ska du släta ut alla veck. Börja i mitten av poolen och arbeta dig medsols utåt.



Nível de água apropriado
Nível de água adequado
Richtiger Wasserstand
Oikea veden taso
Correct Waterniveau
Livello ottimale dell'acqua

Bon niveau d'eau
ΚΑΤΑΛΛΗΛΟ ΕΠΙΠΕΔΟ ΝΕΡΟΥ
Правильный уровень воды
Prawidłowy poziom wody
Mégfelelő vízszint
Korrekkt vattennivå



Flat, Level Ground - **CORRECT**
Superficie nivelada e plana - **CERTO**
Suelo liso y nivelado - **CORRECTO**
Flacher, ebener Boden - **RICHTIG**
Tasainen, vaakasuora alusta - **OIKEIN**
Effen, Vlakke Ondergrond - **CORRECT**
Sl: superficie plana e livellata
Sol plat, nivåel - **CORRECT**
ΕΠΙΠΕΔΟ, ΟΜΑΛΟ ΕΔΑΦΟΣ - **ΣΩΣΤΟ**
Плоская ровная площадка - **ПРАВИЛЬНО**
Płaskie, równe podłoże - **PRAWIDŁOWE**
Sima, egyenes talaj - **SZABÁLYOS**
Platt, jämn mark - **KORREKT**

Bumpy, Sloping Ground - **INCORRECT**
Superficie inclinada e não uniforme - **ERRADO**
Suelo con baches o inclinado - **INCORRECTO**
Unebener, geneigter Boden - **FALSCH**
Epätasainen, kalteva alusta - **VÄÄRIN**
Höbelige, Hellende Ondergrond - **VERKEERD**
NO: superficie non uniforme e in pendenza
Sol accidenté ou en pente - **INCORRECT**
ΑΝΩΜΑΛΟ, ΕΠΙΚΛΙΝΕΣ ΕΔΑΦΟΣ - **ΛΑΘΟΣ**
Бугристая, наклонная площадка - **НЕПРАВИЛЬНО**
Wyboiste, pochyle podłoże - **NIEPRAWIDŁOWE**
Hebepúpás, lejtos talaj - **HELYTLELEN**
Guppig lutande mark - **FELAKTIGT**

EN Filling Pool with Water

ATTENTION: Do not leave pool unattended while filling with water.
NOTE: The Hose Adapter can be used with two different garden hoses.

1. Fill pool until water capacity is 90%. **DO NOT OVERFILL** as this could cause the pool to collapse. In times of heavy rainfall you may need to empty some of the water to ensure the level is correct. (See Fig. 12.13)
2. When filling the pool is completed, check that the water is not collecting on any side to ensure the pool is level.
IMPORTANT: If pool is not level, drain water and re-level ground by digging out (See Fig. 14). Never attempt to move the pool with water in it, serious personal injury or damage to the pool may result.
WARNING: Your pool may contain up to xxxxx liters/xxxx gallons which equals xxxxx pounds of pressure. If your pool has any bulge or uneven side then the pool is not level, the sides may burst and the water may discharge suddenly causing serious personal injury and/or damage to property.
3. Check pool for any leaks at valves or seams, check any evident water loss. Do not add chemicals until this has been done.
NOTE: Drawings for illustration purpose only. May not reflect actual product. Not to scale.

PT Enchimento da piscina com água

ATENÇÃO: Supervisoriano a piscina quando a mesma estiver a ser enchida.
NOTA: O Adaptador de Mangueira pode ser usado com duas mangueiras de jardim diferentes.

1. Encher a piscina até 90% da sua capacidade. **NÃO ENCHER DEMASIANDO** a piscina, visto que poderia desmontar-se. Em caso de chuva forte, será necessário escoar um pouco de água para manter o correcto nível. (Veja Fig. 12.13)
2. Quando o enchimento da piscina estiver concluído, certificar-se de que a água não se esteja a acumular em de um lado; sinal de que a piscina não foi colocada sobre superfície plana.
IMPORTANTE: Se a piscina não estiver nivelada, escoar a água e nivelar o terreno. Não tentar, de modo algum, deslocar a piscina se a mesma estiver cheia, isto poderia causar sérios ferimentos e/ou danos à piscina! (Veja Fig. 14)
ATENÇÃO: A capacidade da piscina é de no máximo xxxx litros, correspondente a uma pressão de xxxxxx kg. Se a sua piscina tiver alguma protuberância ou um lado desigual, significa que a mesma não está nivelada. Os lados podem estourar e a água escoará, repentinamente, causando sérios ferimentos e/ou, danos materiais.
3. Verifique a piscina quanto a vazamentos nas válvulas ou costuras, verifique se há perda óbvia de água. Não adicione produtos químicos até que isso tenha sido feito.
NOTA: Desenhados somente para propósito de ilustração. Talvez não reflitam o produto atual. Não é escala.

ES Llenado de la piscina con agua

ATENCIÓN: No deje la piscina sin vigilancia mientras la está llenando de agua.
NOTA: El adaptador de manguera se puede utilizar con dos mangueras de jardín diferentes.

1. Llene la piscina hasta el 90% de la capacidad. **NO LLENE DEMASIADO** ya que esto puede hacer que la piscina se hunda. Si llueve bastante, podría ser necesario quitar un poco de agua de la piscina para asegurarse de que el nivel es correcto. (Vea Fig. 12.13)
2. Cuando la piscina se haya llenado por completo, compruebe que el agua no se acumula en ningún lado para que la piscina esté equilibrada.
IMPORTANTE: Si la piscina no está equilibrada, drene el agua y vuelva a equilibrar el suelo cavando. No intente nunca mover la piscina con agua dentro de la misma, pueden provocarse graves daños personales o daños en la piscina. (Vea Fig. 14)
ADVERTENCIA: Su piscina puede contener XXXX litros / XXXX galones lo que equivale a XXXX libras de presión. Si su piscina presenta bultos o lados que no están equilibrados la piscina no está equilibrada, los lados pueden explotar y el agua se descargará provocando graves heridas personales y daños a las propiedades.
3. Revise la piscina por si hay fugas en las válvulas o costuras, verifique cualquier pérdida evidente de agua. No agregue productos químicos hasta que esto se haya hecho.
NOTA: Los diseños se han realizado solo como ilustración. Pueden no reflejar el producto real. No realizados a escala.

DE Füllen des Pools Mit Wasser

ACHTUNG: Lassen Sie den Pool während des Einfüllens des Wassers nicht unbeaufsichtigt.
HINWEIS: Der Schlauchadapter kann mit zwei unterschiedlichen Gartenschlauchanschlüssen genutzt werden.

1. Füllen Sie den Pool bis zu 90% seines Fassungsvermögens mit Wasser. **ÜBERFÜLLEN** Sie den Pool nicht, das dies zu einem Reißen führen kann. Bei starken Regenfällen müssen Sie unter Umständen etwas Wasser entleeren, um den richtigen Füllstand zu gewährleisten. (Siehe Abb. 12.13)
2. Nachdem der Pool vollständig befüllt ist, prüfen Sie, dass sich das Wasser nicht auf einer Seite sammelt, um zu gewährleisten, dass der Pool eben ist.
WICHTIG: Lassen Sie, wenn der Pool nicht eben ist, das Wasser ab und nivellieren Sie den Boden durch Aushub. Versuchen Sie nicht, den Pool mit darin befindlichem Wasser zu bewegen. Dabei kann es zu schweren Verletzungen oder Schäden am Pool kommen. (Siehe Abb. 14)
ACHTUNG: Ihr Pool kann bis zu xxxxx Liter / xxxx Gallonen fassen, was einem Druck von

xxxx Pfund entspricht. Weist Ihr Pool eine Beule oder unebene Seite auf, dann ist er nicht eben. Die Seiten können dann reißen und das Wasser läuft plötzlich aus, was zu schweren Verletzungen und / oder Besitzschäden führen kann.

3. Überprüfen Sie den Pool auf Undichtigkeit an Ventilen oder Nähten, prüfen Sie auf erkennbar austretendes Wasser. Fügen Sie Chemikalien erst im Anschluss daran zu.
HINWEIS: Zeichnungen nur zu Illustrationszwecken. Eventuelle Abweichungen zum Produkt sind möglich. Nicht maßstabgetreu.

FI Altaan täyttäminen vedellä

HUOMAA: Älä jätä allasta valvomatta täytön aikana.
HUOMAA: Letkuliittintä voi käyttää kahden erillaisen puttarhaletkun kanssa.

1. Täytä allasta 90%:n tilavuuteen. **ÄLÄ TÄYTÄ LIIKAA**, koska silloin allas voi romahtaa. Rankkasateella voit joutua tyhjentämään osan vedestä varmistaaksesi, että veden taso on oikea. (Katso Kuva. 12.13)
2. Kun altaan täyttö on valmis, tarkista, että vesi ei nouse enemmän jollain sivulla, jolloin allas ei ole suorassa.
TÄRKEÄÄ: Jos allas ei ole suorassa, tyhjennä vesi ja tasaa alusta kaivamalla. Älä koskaan yritä siirtää allasta, jossa on vettä. Seurauksena voi olla vakava henkilövahinko tai altaan vahingoittuminen. (Katso Kuva. 14)
VAROITUS: Allas voi sisältää enintään xxxx litraa vettä, mikä vastaa xxxx kg:n painoa. Jos allas pullottaa joltain sivulta tai on vesi on korkeammalla jollain sivulla, allas ei ole suorassa, sivut voivat revetä ja vesi voi tyhjentyä äkisti aiheuttaen vakavia henkilövahinkoja ja/tai omaisuusvahinkoja.
3. Tarkasta allas vuotojen varalta venttiileistä tai saumoista. Tarkasta näkyvän veden menetyksen varalta. Älä lisää kemikaleja, ennen kuin tämä on tehty.
HUOMAA: Piirroksset on tehty vain havainnollistamistarkoituksessa. Ne voivat poiketa todellisesta tuotteesta. Piirroksset eivät ole mittakaavassa.

NL Het Zwembad Vullen met Water

OPGELET: Laat het zwembad niet zonder toezicht wanneer het gevuld wordt met water.
OPMERKING: De slangadapter kan worden gebruikt met twee verschillende tuinslangen.

1. Vul het zwembad tot 90% van de inhoud. **Vul NIET TE VEEL** omdat het zwembad hierdoor in elkaar kan zakken. Bij hevige regenval kan het nodig zijn om wat water af te voeren, om het correct niveau te herstellen. (Zie Fig. 12.13)
2. Wanneer het zwembad gevuld is, controleer of het water niet hoger staat aan een zijde van het zwembad.
BELANGRIJK: Is het zwembad niet genivelleerd is, wordt het water afgevoerd en de ondergrond uitgegraven (Zie Fig. 14). Probeer het zwembad nooit te verplaatsen wanneer er water in zit, om persoonlijke letsels of schade aan het zwembad te vermijden.
WAARSCHUWING: Uw zwembad kan tot xxxxx liter water bevatten, wat overeenkomt met xxxxx kilo druk. Als uw zwembad een bulf of oneffen zijde vertoont, betekent dit dat het niet genivelleerd is. De zijkanalen kunnen barsten en het water kan plots weglopen, wat ernstige persoonlijke letsels en/of schade aan bezittingen kan veroorzaken.
3. Controleer het zwembad op lekken bij ventielen of naden, controleer op duidelijke waterlekken. Voeg geen chemicaliën toe tot dit gecontroleerd werd.
OPM.: Tekeningen louter voor illustratieve doeleinden. Weerspiegelt mogelijk niet het actuele product. Niet op schaal.

IT Riempimento della piscina con acqua

ATTENZIONE: Sorvegliare la piscina durante la fase di riempimento.
NOTA: L'adattatore del tubo può essere utilizzato con due diverse manichette da giardino.

1. Riempire la piscina fino all' 90% della sua capacità. **NON RIEMPIRE ECCESSIVAMENTE** la piscina in quanto potrebbe smontarsi. In caso di forte pioggia è necessario lasciar defluire un pò d'acqua per garantire sempre un livello ottimale (Vedere Fig. 12.13).
2. Dopo aver riempito la piscina, verificare che l'acqua non si accumuli su un lato della piscina; in tal caso significa la piscina non è in piano.
IMPORTANTE: Se così fosse, far defluire l'acqua e livellare il terreno. Non cercare di spostare la piscina piena d'acqua - rischio di lesioni o danni alla piscina! (Vedere Fig. 14).
AVVERTENZA: La capacità della piscina è di max. xxxxx litri, corrispondente a una pressione di xxxxx kg. Eventuali rigonfiamenti o pareti irregolari indicano il mancato livellamento della piscina, nonché il probabile sfondamento delle pareti o la possibile fuoriuscita dell'acqua, con conseguente rischio di lesioni e/o danni agli oggetti personali.
3. Controllare la piscina per eventuali perdite nelle valvole o nelle giunzioni, controllare l'eventuale perdita d'acqua. Non aggiungere prodotti chimici fino a quando questa operazione non è stata fatta.
NOTA: Le immagini sono solo a scopo illustrativo e potrebbero corrispondere a quelle del prodotto. Le immagini non sono in scala.

FR Remplir d'eau la piscine

ATTENTION: Ne laissez pas la piscine sans surveillance quand vous la remplissez d'eau.
REMARQUE: l'adaptateur du tuyau peut être utilisé avec deux différents tuyaux d'arrosage.

1. Remplissez la piscine à 90%. **NE REMPLISSEZ PAS TROP** car cela pourrait provoquer un effondrement de la piscine. En cas de fortes pluies, vous devez vider suffisamment la piscine pour que le niveau reste correct. (Voir Fig. 12.13)
2. Lorsque le remplissage de la piscine est achevé, contrôlez que l'eau ne se rassemble pas d'un côté pour s'assurer que la piscine est bien nivelée.
IMPORTANT: Si la piscine n'est pas nivelée, enlevez l'eau et nivelez de nouveau le sol en le creusant (Voir Fig. 14). N'essayez jamais de déplacer la piscine avec de l'eau à l'intérieur, cela pourrait provoquer de graves blessures ou endommager la piscine.
ATTENTION: Votre piscine peut contenir jusqu'à xxxx litres / xxxxx gallons, ce qui équivaut à xxxxx kg de pression. Si votre piscine présente des renflements ou un côté non uniforme, alors elle n'est pas nivelée; les côtés pourraient éclater et l'eau se déverser brusquement en provoquant des blessures et/ou des dommages aux biens.
3. Vérifiez que la piscine ne présente aucune fuite au niveau des valves ou des coutures, contrôlez qu'il n'y ait aucune perte d'eau visible. N'ajoutez aucun produit chimique tant que cela n'a pas été fait.
REMARQUE: Dessins uniquement pour illustration. Ils pourraient ne pas correspondre à l'appareil actuel. Ils ne sont pas à l'échelle.

EL ΓΕΜΙΣΜΑ ΤΗΣ ΠΙΣΙΝΑΣ ΜΕ ΝΕΡΟ

ΠΡΟΣΟΧΗ: ΜΗΝ ΑΦΗΝΕΤΕ ΤΗΝ ΠΙΣΙΝΑ ΧΩΡΙΣ ΕΠΙΒΛΕΨΗ ΚΑΤΑ ΤΟ ΓΕΜΙΣΜΑ ΜΕ ΝΕΡΟ.
ΣΗΜΕΙΩΣΗ: Ο ΠΡΟΣΑΡΜΟΓΕΑΣ ΤΟΥ ΣΩΛΗΝΑ ΜΠΟΡΕΙ ΝΑ ΧΡΗΣΙΜΟΠΟΙΗΘΕΙ ΓΙΑ ΔΥΟ ΔΙΑΦΟΡΕΤΙΚΟΥΣ ΕΥΚΑΜΠΤΟΥΣ ΣΩΛΗΝΕΣ ΚΗΠΟΥ.

1. ΓΕΜΙΣΤΕ ΤΗΝ ΠΙΣΙΝΑ ΕΩΣ ΟΤΟΥ Η ΧΩΡΗΤΙΚΟΤΗΤΑ ΣΕ ΝΕΡΟ ΦΤΑΣΕΙ ΤΟ 90%. ΜΗΝ ΥΠΕΡΓΕΜΙΣΤΕ ΓΙΑΤΙ ΑΥΤΟ ΜΠΟΡΕΙ ΝΑ ΠΡΟΚΑΛΕΣΕΙ ΚΑΤΑΡΡΕΥΣΗ ΤΗΣ ΠΙΣΙΝΑΣ. ΣΕ ΠΕΡΙΠΤΩΣΗ ΒΑΡΙΑΣ ΒΡΟΧΟΠΤΩΣΗΣ ΜΠΟΡΕΙ ΝΑ ΧΡΕΙΑΣΤΕΙ ΝΑ ΑΔΕΙΑΣΕΤΕ ΛΙΓΟ ΝΕΡΟ ΓΙΑ ΝΑ ΒΕΒΑΙΩΘΕΙΤΕ ΟΤΙ ΤΟ ΕΠΙΠΕΔΟ ΕΙΝΑΙ ΣΩΣΤΟ. (ΒΛ. ΕΙΚ. 12.13)
2. ΟΤΑΝ ΟΛΟΚΛΗΡΩΘΕΙ Η ΠΛΗΡΩΣΗ ΤΗΣ ΠΙΣΙΝΑΣ, ΕΛΕΓΞΤΕ ΟΤΙ ΤΟ ΝΕΡΟ ΔΕ ΜΑΖΕΥΕΤΑΙ

ΣΕ ΟΠΟΙΟΔΗΠΟΤΕ ΠΛΕΥΡΑ ΓΙΑ ΝΑ ΒΕΒΑΙΩΘΕΙΤΕ ΟΤΙ Η ΠΙΣΙΝΑ ΕΙΝΑΙ ΕΠΙΠΕΔΗ.
ΣΗΜΑΝΤΙΚΟ: ΑΝ Η ΠΙΣΙΝΑ ΔΕΝ ΕΙΝΑΙ ΕΠΙΠΕΔΗ, ΠΑΡΟΧΕΤΕΥΣΤΕ ΤΟ ΝΕΡΟ ΚΑΙ ΕΠΑΝΗΣΙΩΣΤΕ ΤΟ ΕΔΑΦΟΣ ΜΕ ΕΚΣΚΑΦΗ. ΜΗΝ ΕΠΙΧΕΙΡΗΣΕΤΕ ΝΑ ΜΕΤΑΚΙΝΗΣΕΤΕ ΤΗΝ ΠΙΣΙΝΑ ΜΕ ΝΕΡΟ ΜΕΣΑ ΣΕ ΑΥΤΗΝ. ΜΠΟΡΕΙ ΝΑ ΠΡΟΚΛΗΘΕΙ ΣΟΒΑΡΟΣ ΑΤΟΜΙΚΟΣ ΤΡΑΥΜΑΤΙΣΜΟΣ Ή ΚΑΙ ΒΛΑΒΗ ΣΤΗΝ ΠΙΣΙΝΑ. (Βλ. ΕΙΚ. 14)
ΠΡΟΕΙΔΟΠΟΙΗΣΗ: Η ΠΙΣΙΝΑ ΣΑΣ ΜΠΟΡΕΙ ΝΑ ΠΕΡΙΧΕΙ ΕΩΣ xxxxx ΛΙΤΡΑ / xxxx ΓΑΛΟΝΙΑ ΠΟΥ ΙΣΟΔΥΝΑΜΟΥΝ ΜΕ xxxxx ΛΙΒΡΕΣ ΠΙΕΣΗΣ. ΑΝ Η ΠΙΣΙΝΑ ΕΧΕΙ ΚΑΠΟΙΑ ΠΡΟΕΞΟΧΗ Ή ΑΝΩΜΑΛΗ ΠΛΕΥΡΑ, ΤΟΤΕ Η ΠΙΣΙΝΑ ΔΕΝ ΕΙΝΑΙ ΕΠΙΠΕΔΗ, ΟΙ ΠΛΕΥΡΕΣ ΜΠΟΡΟΥΝ ΝΑ ΕΚΡΑΓΟΥΝ ΚΑΙ ΤΟ ΝΕΡΟ ΜΠΟΡΕΙ ΝΑ ΥΠΕΡΧΕΙΛΙΣΕΙ ΞΑΦΝΙΚΑ, ΠΡΟΚΑΛΩΝΤΑΣ ΣΟΒΑΡΟ ΑΤΟΜΙΚΟ ΤΡΑΥΜΑΤΙΣΜΟ Ή ΚΑΙ ΒΛΑΒΗ ΣΤΗΝ ΠΙΣΙΝΑ.
3. ΕΛΕΓΞΤΕ ΤΗΝ ΠΙΣΙΝΑ ΓΙΑ ΤΥΧΟΝ ΔΙΑΡΡΟΕΣ ΣΤΙΣ ΒΑΒΙΔΕΣ Ή ΣΤΙΣ ΡΑΦΕΣ, ΚΑΙ ΕΛΕΓΞΤΕ ΓΕΝΙΚΑ ΤΗΝ ΟΠΟΙΟΔΗΠΟΤΕ ΕΜΑΦΑΝΗ ΑΠΩΛΕΙΑ ΝΕΡΟΥ. ΜΗΝ ΠΡΟΣΘΕΞΕΤΕ ΧΗΜΙΚΑ ΜΕΧΡΙ ΝΑ ΟΛΟΚΛΗΡΩΘΕΙ ΑΥΤΟΣ Ο ΕΛΕΓΧΟΣ.
ΣΗΜΕΙΩΣΗ: ΤΑ ΣΧΗΜΑΤΑ ΕΙΝΑΙ ΜΟΝΟ ΓΙΑ ΣΚΟΠΟΥΣ ΑΠΕΙΚΟΝΙΣΗΣ. ΕΝΔΕΧΕΤΑΙ ΝΑ ΜΗΝ ΑΝΤΑΝΑΚΛΟΥΝ ΤΟ ΤΡΕΧΟΝ ΠΡΟΪΟΝ. ΔΕΝ ΕΙΝΑΙ ΥΠΟ ΚΛΙΜΑΚΑ.

RU Наполнение бассейна водой

ВНИМАНИЕ: Не оставляйте бассейн без внимания, когда он наполняется водой.
ПРИМЕЧАНИЕ: Переходник шланга подходит к двум разным садовым шлангам.
1. Наполните бассейн водой на 90%, **НЕ ПЕРЕПОЛНЯЙТЕ** его водой, он может разлиться. Во время сильных дождей, возможно, понадобится отрегулировать часть воды, чтобы сохранить нужный уровень воды в бассейне. (См. Рис. 12.13)
2. По завершении наполнения бассейна, убедитесь в том, что бассейн установлен ровно, проверьте, не перетекает ли вода к одному краю.
ВАЖНО! Если бассейн установлен неровно, слейте воду и выровняйте площадку, подкопав землю. Никогда не пытайтесь передвигать бассейн с находящейся в нем водой, можно получить травму или повредить бассейн. (См. Рис. 14)
ВНИМАНИЕ: В бассейне может вместиться до xxxxx литров или xxxx галлонов, что равняется xxxxx фунтам давления. Если одна из стенок бассейна неровная, или на ней выделяется выпуклость, значит, бассейн установлен неровно, стенки могут внезапно порваться, и вода вытечь, что приведет .или к травме, или к материальному ущербу.
3. Проверьте клапаны и швы на предмет протечки, а также в случае явного уменьшения объема воды. Не добавляйте химикаты, пока эта проверка не будет выполнена.
ПРИМЕЧАНИЕ: Чертежи приводятся только для иллюстрации. Они могут отличаться от фактического изделия. Чертежи не в масштабе.

PL Napełnianie basenu

OSTRZEŻENIE: Podczas napełniania basenu wodą nie zostawiaj go bez nadzoru.
UWAGA: Adapter węzła może być używany z dwoma różnymi węzłami ogrodowymi.
1. Napełnij basen wodą do 90% jego objętości, **NIE PRZEPEŁNIAJ GO**, gdyż może to spowodować runięcie basenu. W razie intensywnych opadów deszczu może być konieczne spuszczenie pewnej ilości wody z basenu, żeby utrzymywać odpowiedni poziom wody. (Zob. Rys. 12.13)
2. Kiedy napełnianie basenu jest zakończone, sprawdź, czy woda nie zbiera się po bokach, co oznacza, że basen stoi równo. Jeżeli basen nie stoi równo, spuść wodę i wyrównaj ponownie podłoże, podkopując ziemię.
WAŻNE: Nigdy nie próbuj przesuwać basenu z wodą, ponieważ to grozi poważnymi obrażeniami ciała lub może spowodować uszkodzenie basenu. (Zob. Rys. 14)
OSTRZEŻENIE: Twój basen może mieścić w sobie aż xxxxx litrów wody / xxxx galonów, co równa się ciśnieniu xxxxx funtów. Jeśli twój basen ma jakieś wybrzuszenie lub któraś strona jest nierówna, oznacza to, że basen stoi nierówno, boki mogą pęknąć, a woda nagle wypłynąć, powodując poważne obrażenia ciała i/lub straty materialne.
3. Sprawdź basen pod kątem wycieków w zaworach lub szwach, sprawdź wszelkie ewidentne straty wody. Nie dodawaj chemikaliów, dopóki nie zostanie to zrobione.
UWAGA: Rysunki mają tylko charakter ilustracyjny. Mogą odbiegać od właściwego produktu. Wymiary na rysunku nie są wymiarami rzeczywistymi.

HU A medence feltöltése vízzel

VIGYÁZAT: A víz töltése közben a medencét ne hagyja felügyelet nélkül.
MEGJEGYZÉS: A tömlőadapter két különböző kerti tömlőhöz használható.
1. A medencét a térfogatának a 90%-ig töltsse meg, **NE TÖLTSE TUL**, mivel az a medence szétesését okozhatja. Intenzív esőzések esetén szükség lehet bizonyos mennyiségű víz leeresztésére, hogy biztosítva legyen a megfelelő vízszint. (Ld. 12.13. Ábra)
2. Ha végzett a medence feltöltésével, ellenőrizze, hogy a víz szintje a medencében mindenhol egyenlő-e. Ha a víz szintje nem egyenlő, eressze le a vizet és egyenesse ki a talajt ásóval.
FONTOS: Sohasem próbálja a medencét arrébb vinni, ha abban víz van, mivel az testi sérülést vagy a medence károsodását okozhatja. (Ld. 14. Ábra)
FIGYELMEZTETÉS: A medencéje xxxxx liter / xxxx gallon vizet tartalmazhat, ami xxxxx font nagyságú nyomással egyenlő. Ha a medencén bármilyen kidombó rodás jelenik meg, vagy valamelyik részén az oldala nem egyenlő szintben van, azt jelenti, hogy a víz bármelyik pillanatban kiömölhet, ezáltal komoly testi sérülést és/vagy anyagi kárt okozva.
3. Ellenőrizze a medencét bármilyen szivárgás tekintetében a szelepekéni és varratoknál, illetve nyilvánvaló vízvesztéses ügyében. Ne adjon hozzá vegyszereket addig, amíg ezt el nem végezte.
FIGYELEM: Az ábrák csak illusztrációs célokat szolgálnak. Nem feltétlenül az eredeti terméket mutatják be.

SV Att fylla poolen med vatten

VARNING: Lämna inte poolen utan tillsyn då den är fylld med vatten.
OBSERVERA: Slangadaptern kan användas med två olika trädgårds slangar.
1. Fyll poolen tills vattenkapaciteten är 90%. **FYLL DEN INTE FÖR MYCKET** eftersom det kan göra så att poolen kollapsar. Vid håftiga regnfall kan du behöva tömma ut lite vatten för att se till att nivån är korrekt. (Se Fig. 12.13)
2. När fyllningen av poolen avslutats, kontrollera att vattnet inte samlas på någon av sidorna för att se till att poolen är jämn.
VIKTIGT: Om poolen inte är jämn ska du tömma ut vattnet och göra marken jämn genom att gräva ut den. Försök aldrig flytta poolen om den innehåller vatten. Annars kan allvariga personskador eller materiella skador uppstå. (Se Fig. 14)
VARNING: Din pool kan innehålla upp till xxxxx liter / xxxx gallons vilket motsvarar xxxxx pounds tryck. Om din pool har en utstående sida eller en ojämn sida, är poolen inte jämn. Sidorna kan explodera och vattnet plötsligt tömmas ut vilket kan leda till personskador och/eller materiella skador.
3. Kontrollera poolen för eventuella läckor vid ventiler eller sömmar. Kontrollera även uppenbara vattenförluster. Tillsätt inga kemikalier tills detta är utfört.
OBS: Bilderna är endast illustrativa. De kanske inte visar den aktuella produkten. Bilderna är ej skaleninga.

©2020 Bestway Inflatables & Material Corp.

All rights reserved/Tous droits réservés/Todos los derechos reservados/Alle Rechte vorbehalten/Tutti i diritti riservati

®™ Trademarks used in some countries under license to/

Marques ®™ utilisées dans certains pays sous la licence de/

Marcas comerciales ®™ utilizadas en algunos países bajo la licencia de/

®™ Die Warenzeichen werden in einigen Ländern verwendet unter Lizenz der/

®™ Marchi utilizzati in alcuni paesi concessi in licenza a

Bestway Inflatables & Material Corp., No.3065 Cao An Road, Shanghai, 201812, China.

Manufactured, distributed and represented in the European Union by/

Fabriqués, distribués et représentés dans l'Union Européenne par/Fabricado, distribuido y representado en la Unión Europea por/

Hergestellt, vertrieben und in der Europäischen Union vertreten von/Prodotto, distribuito e rappresentato nell'Unione Europea da

Bestway (Europe) S.r.l., Via Resistenza, 5, 20098 San Giuliano Milanese (Milano), Italy

Distributed in North America by/Distribué en Amérique du Nord par/Distribuido en Norteamérica por

Bestway (USA) Inc., 3411 E. Harbour Drive, Phoenix, Arizona 85034, United States of America

Tel: +86 21 69135588 (For U.S. and Canada)

Distributed in Latin America by/Distribué en Amérique latine par/Distribuido en Latinoamérica por/Distribuido na América Latina por

Bestway Central & South America Ltda, Salar Ascotan 1282, Parque Enea, Pudahuel, Santiago, Chile

Distributed in Australia & New Zealand by **Bestway Australia Pty Ltd, Unit 2/98-104 Carnarvon St Silverwater, NSW 2128, Australia**

Tel: Australia: (+61) 29 0371 388; New Zealand: 0800 142 101

Exported by/Exporté par/Exportado por/Exportiert von/Esportado da

Bestway (Hong Kong) International Ltd./Bestway Enterprise Company Limited

Suite 713, 7/Floor, East Wing, Tsim Sha Tsui Centre, 66 Mody Road, Kowloon, Hong Kong

www.bestwaycorp.com

Bestway